



sapat

Production of rubber and silicone items since 1942

CATALOGUE 2024



Caps



Click on the type of intended **cap** to access the thumbnails.

Bell-shaped caps

Dust caps

Disk brake boots

Protection caps

Pipettes - other caps

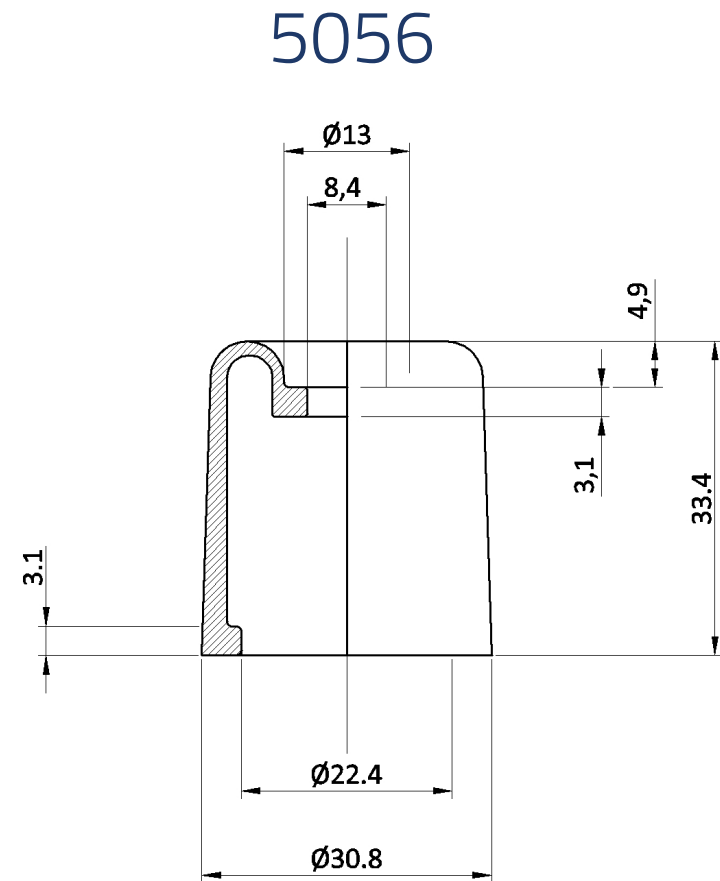
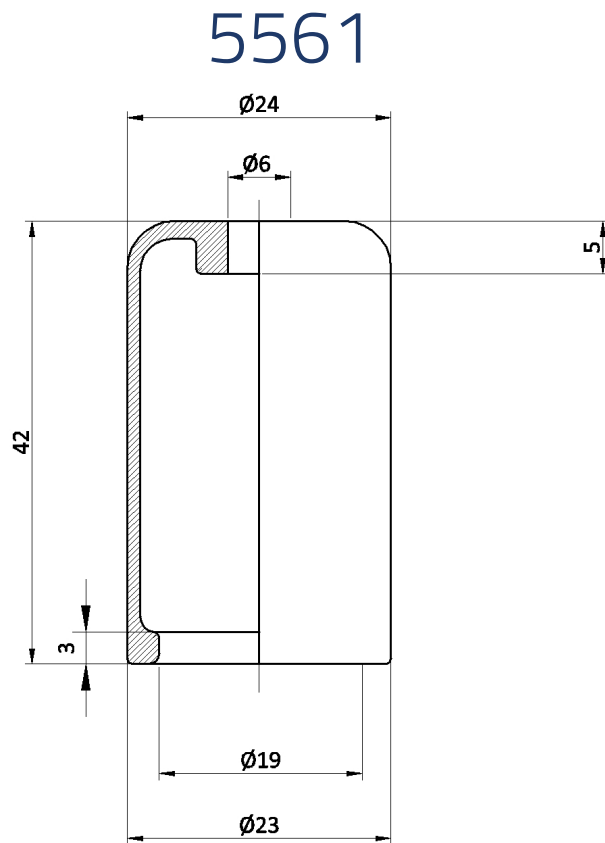


Bell-shaped caps

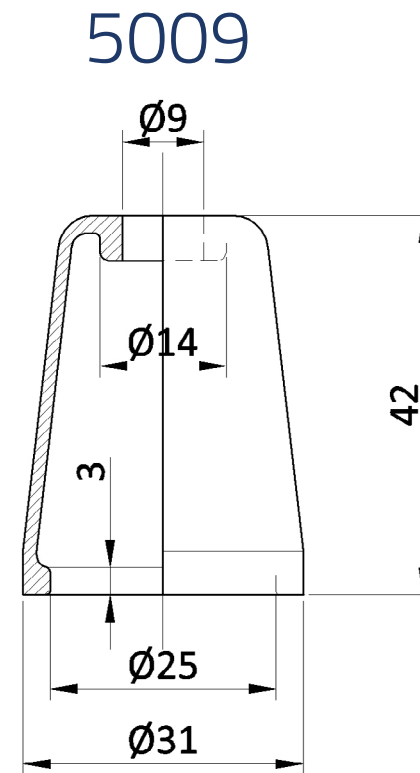
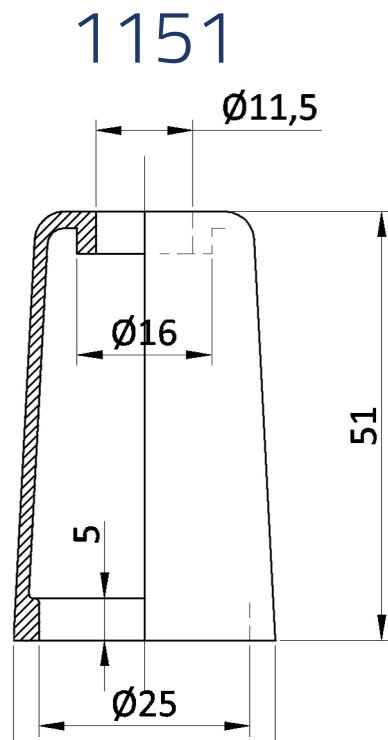


<< Back to all TYPES

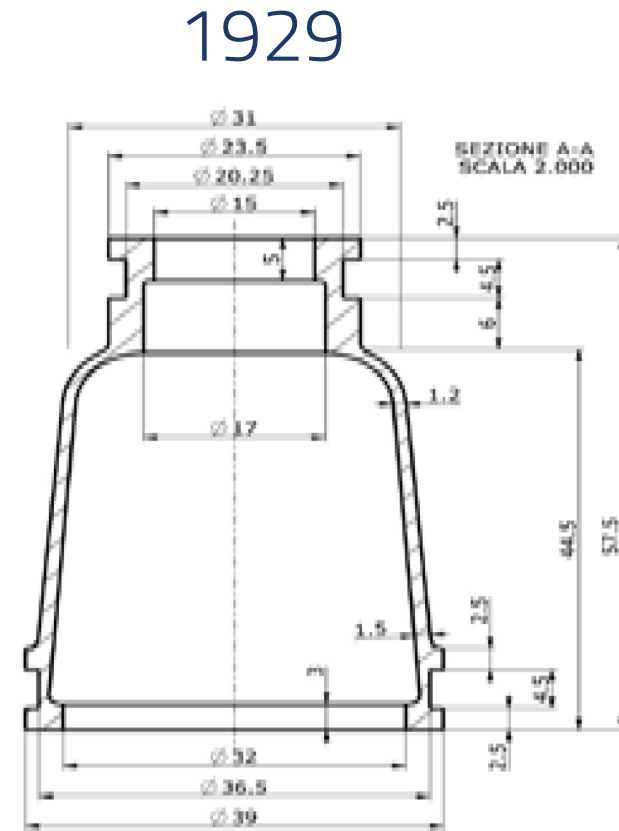
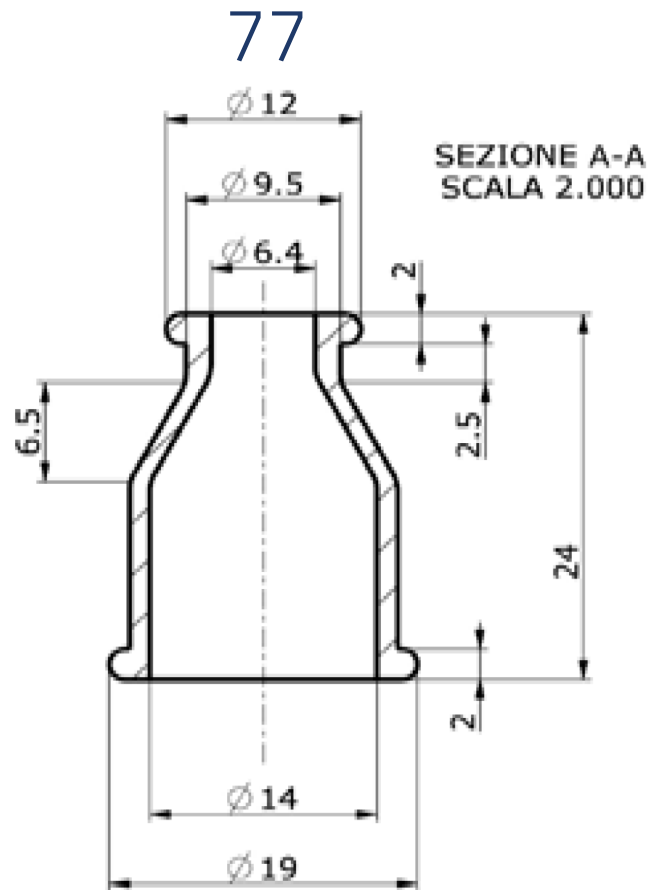
The thumbnails are ordered by increasing size of outer diameter.



<< Back to all TYPES

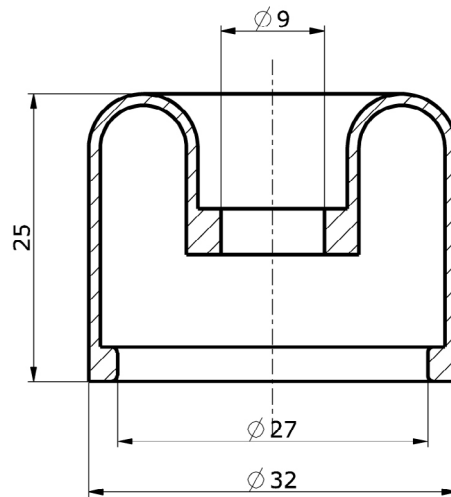


<< Back to all TYPES

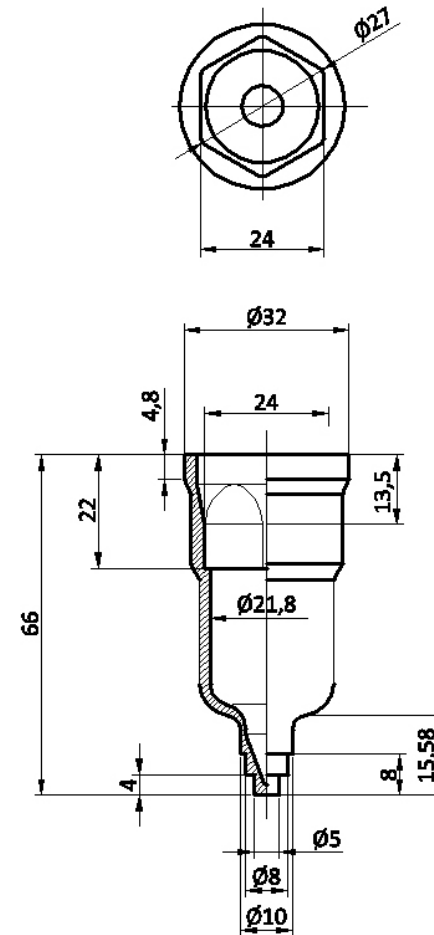


<< Back to all TYPES

5515

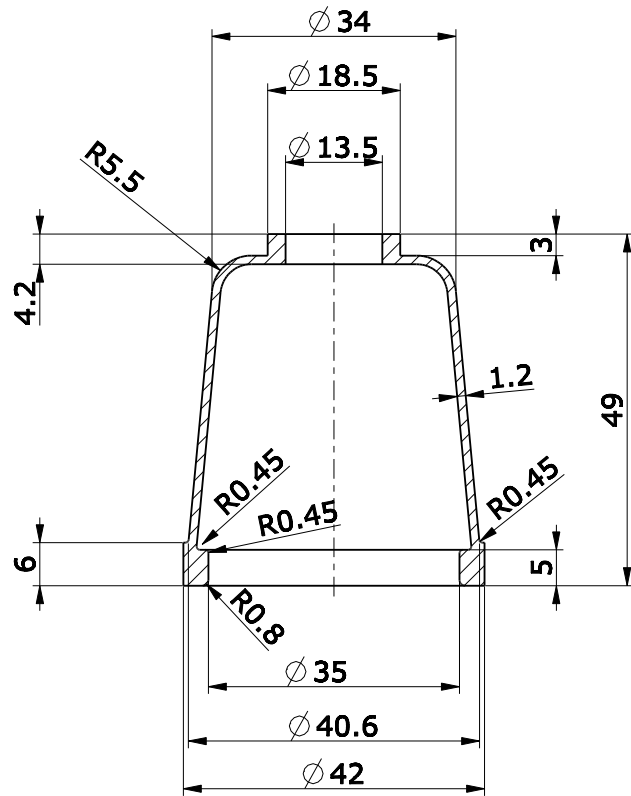


5614

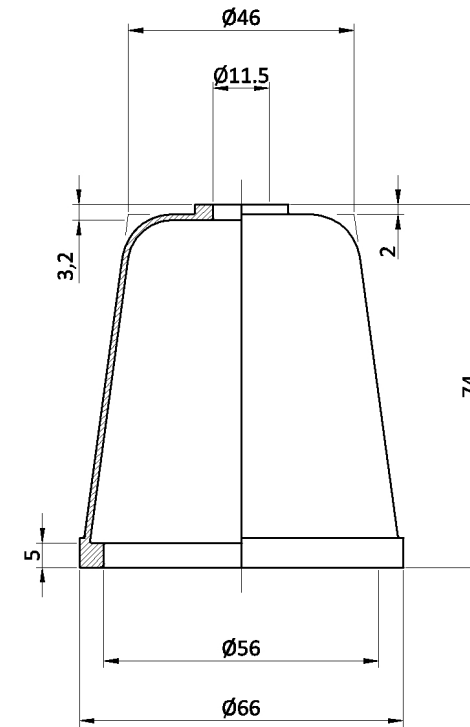


<< Back to all TYPES

5084

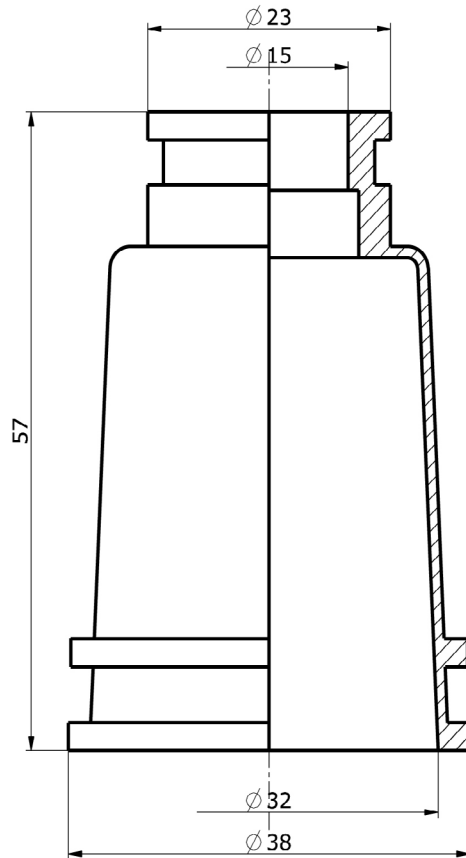


5077

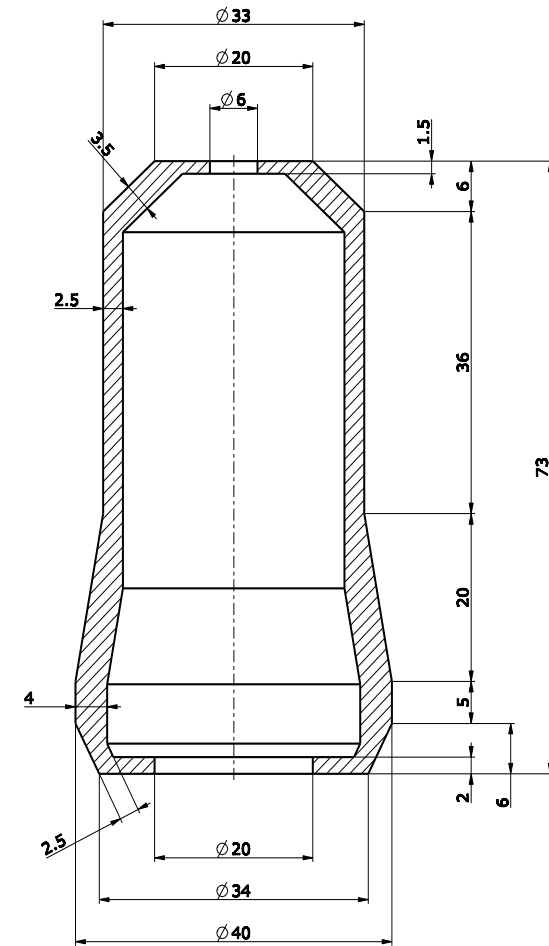


<< Back to all TYPES

5120



7546

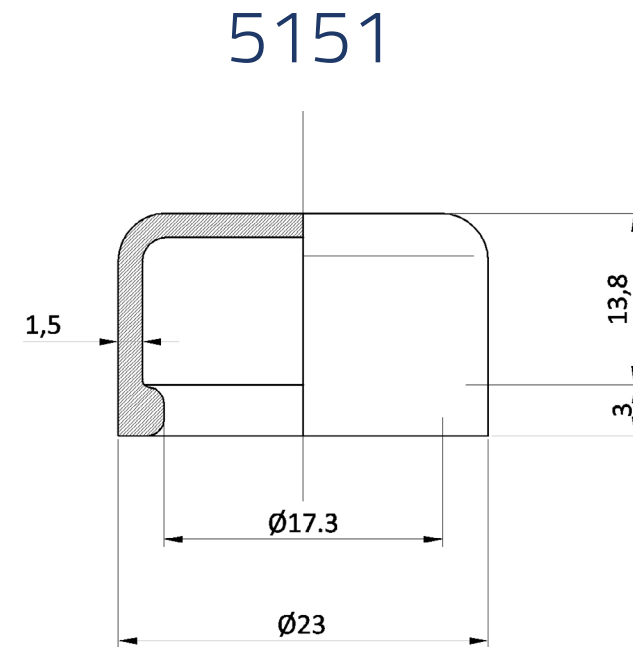
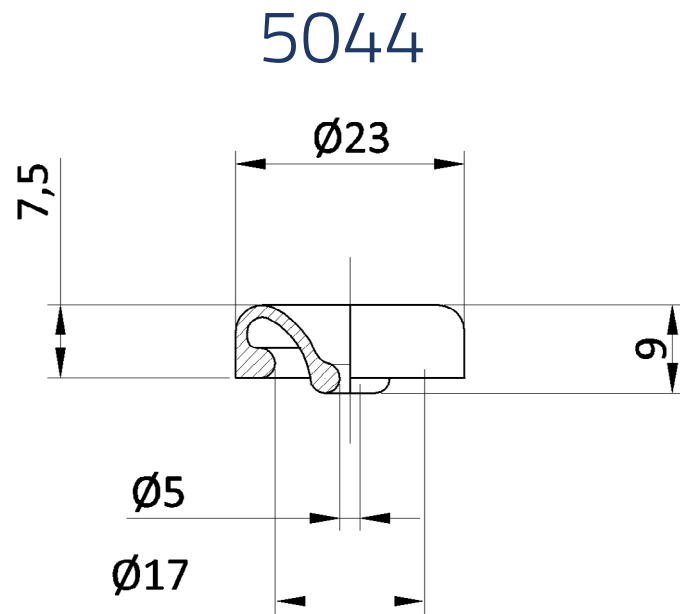


SEZIONE A-A
SCALA 2.000

Dust caps

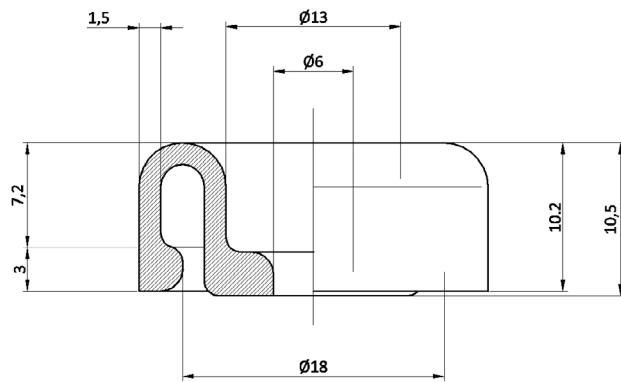


<< Back to all TYPES

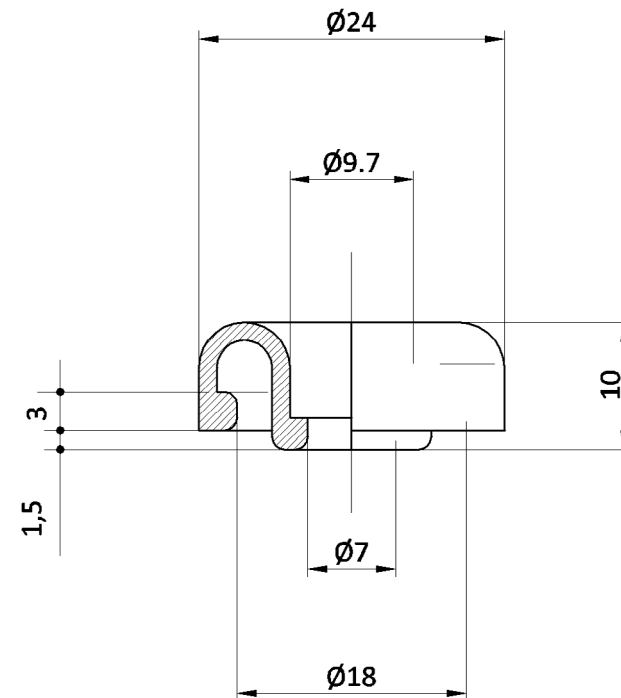


<< Back to all TYPES

5330

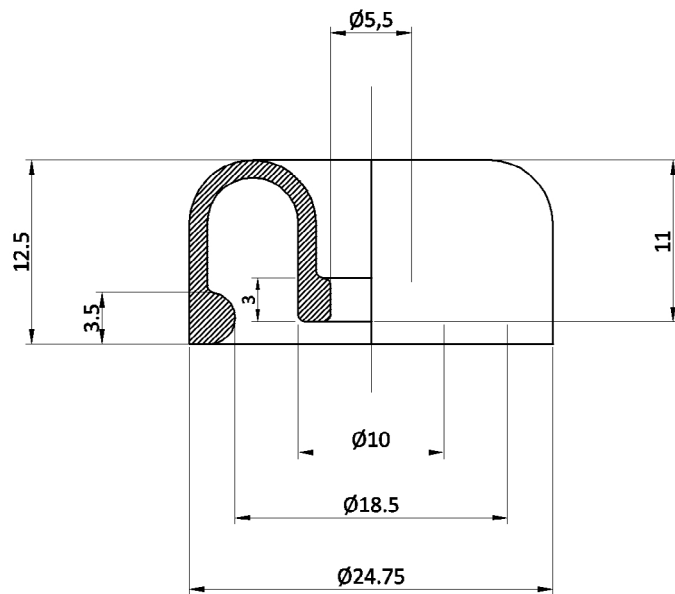


5344

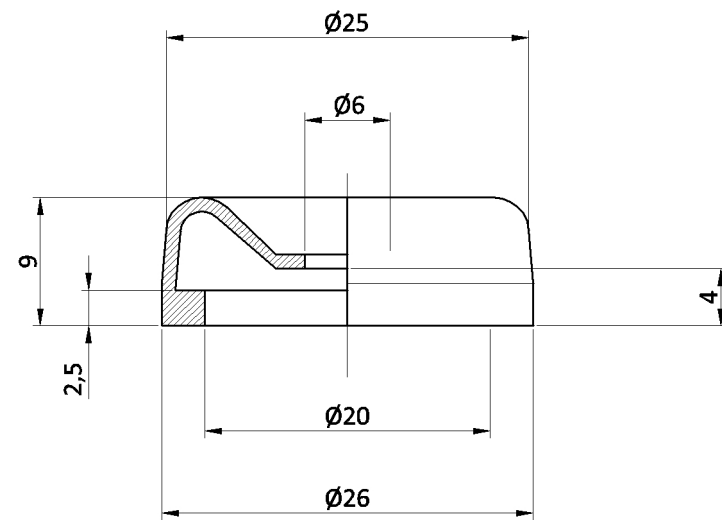


<< Back to all TYPES

5560

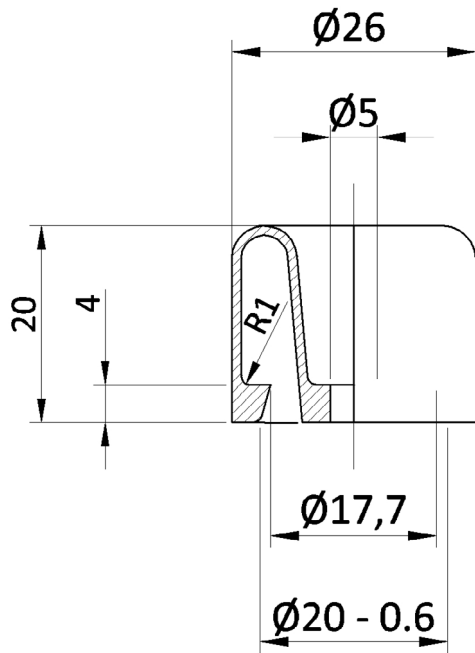


5460

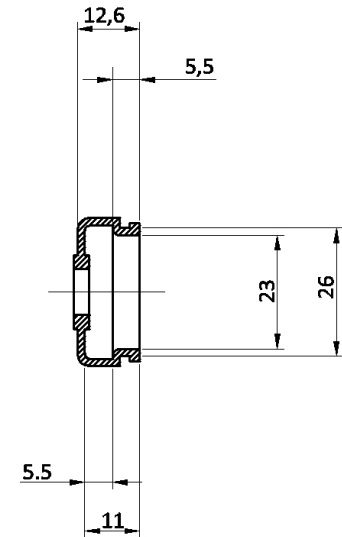
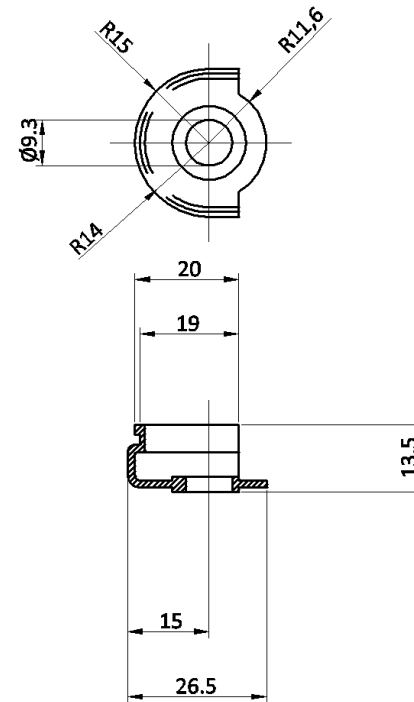


<< Back to all TYPES

5495

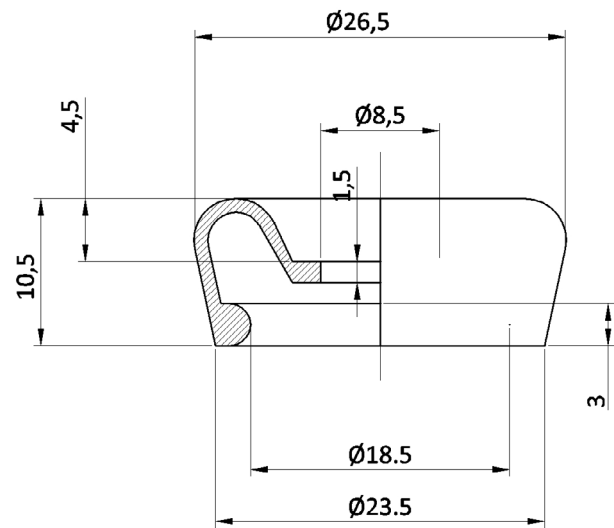


5138

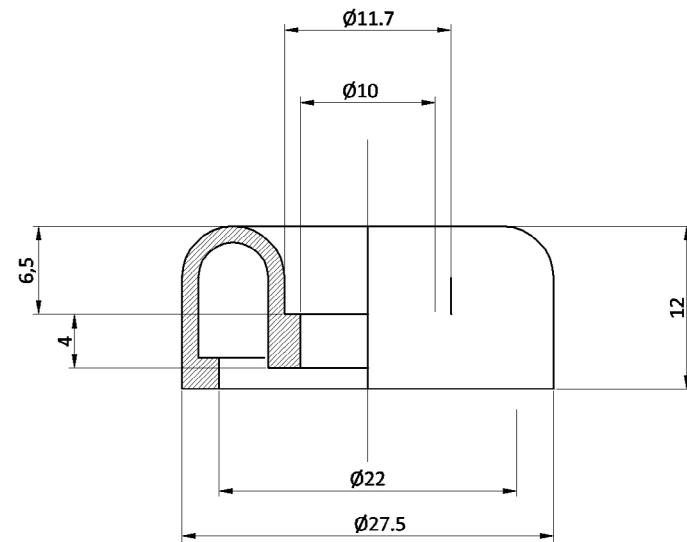


<< Back to all TYPES

5455

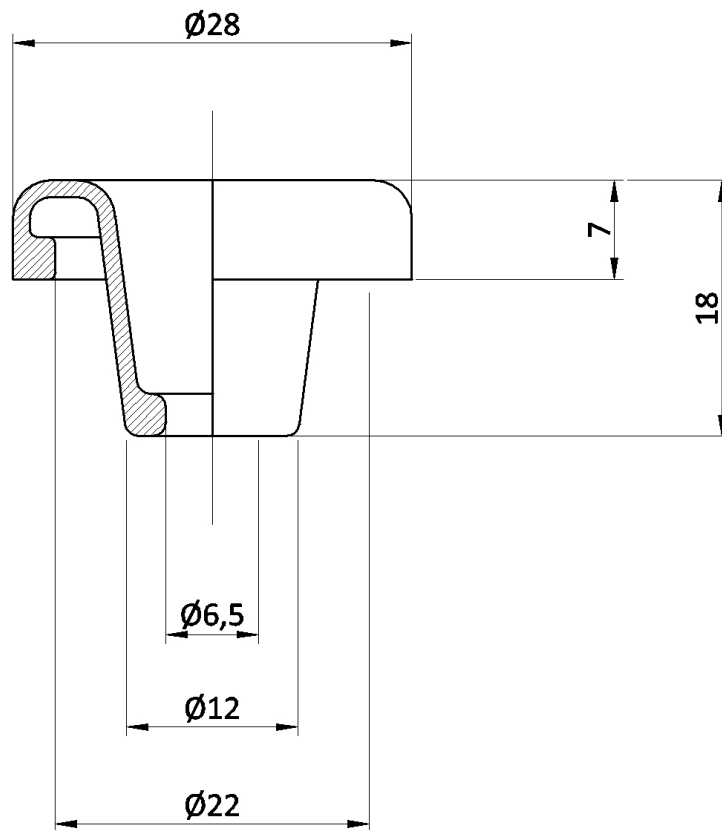


5135

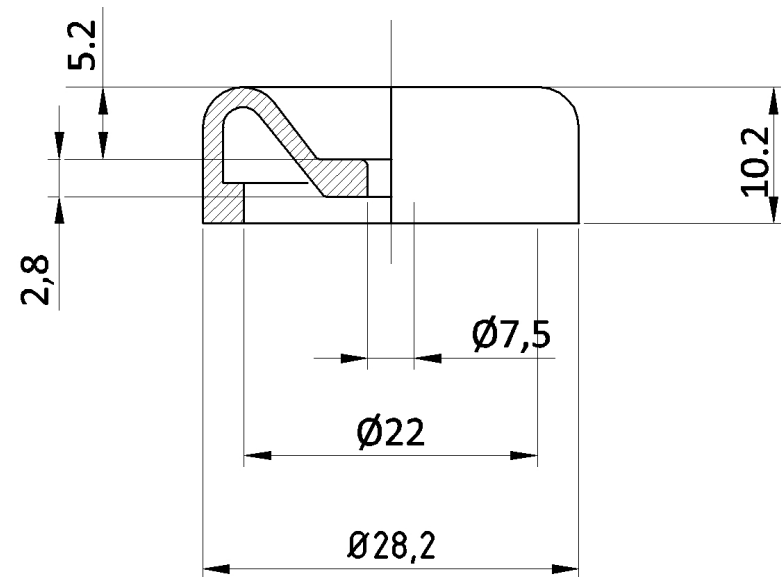


<< Back to all TYPES

5262

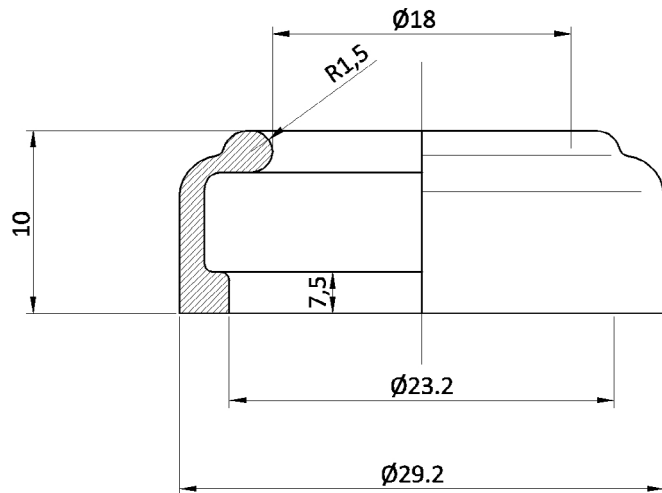


5366

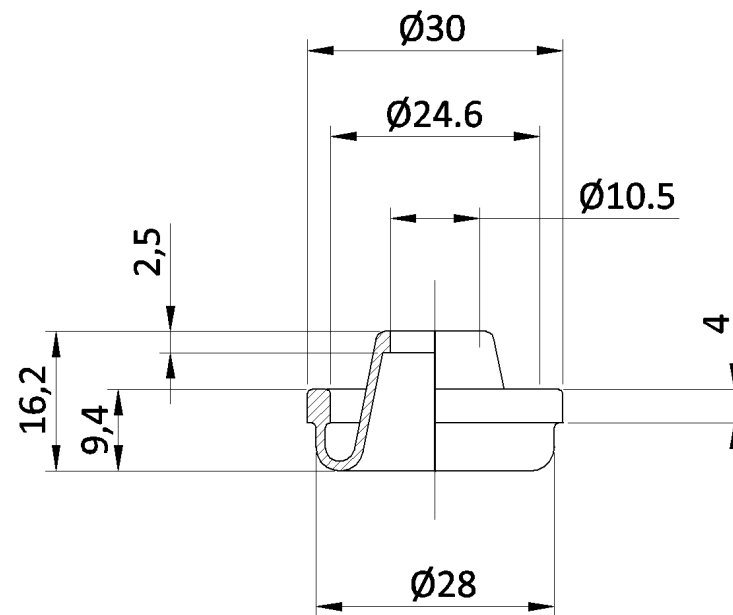


<< Back to all TYPES

5027

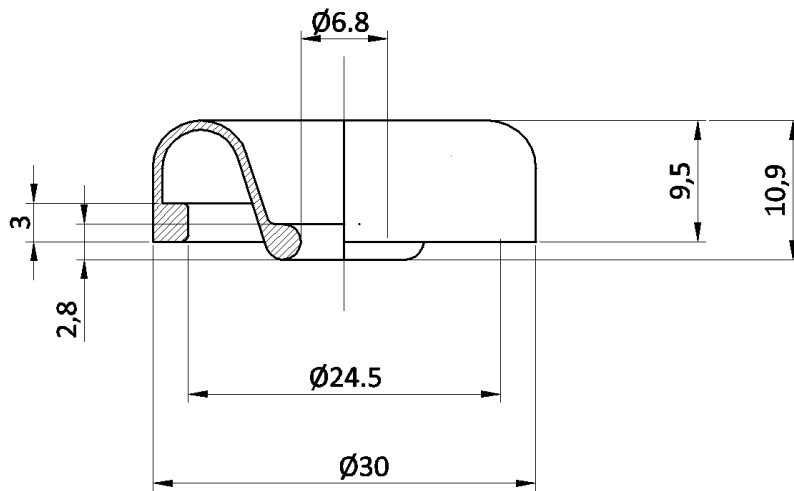


216

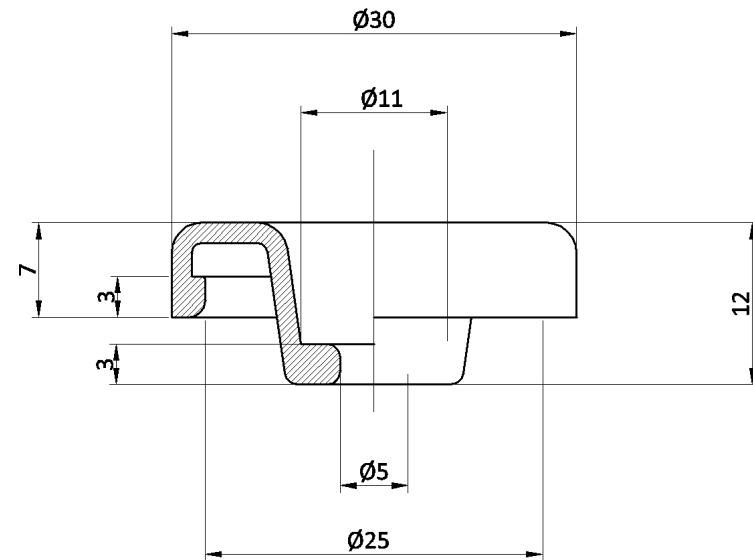


<< Back to all TYPES

5274

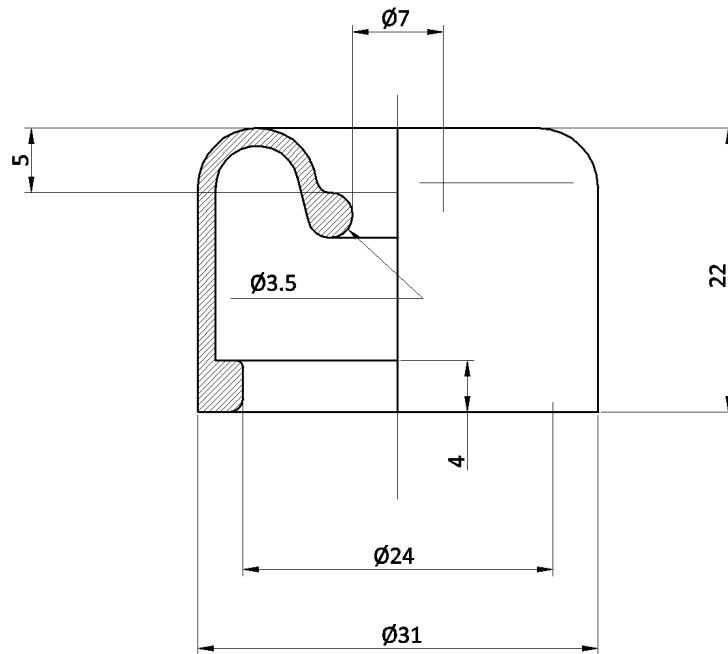


5321

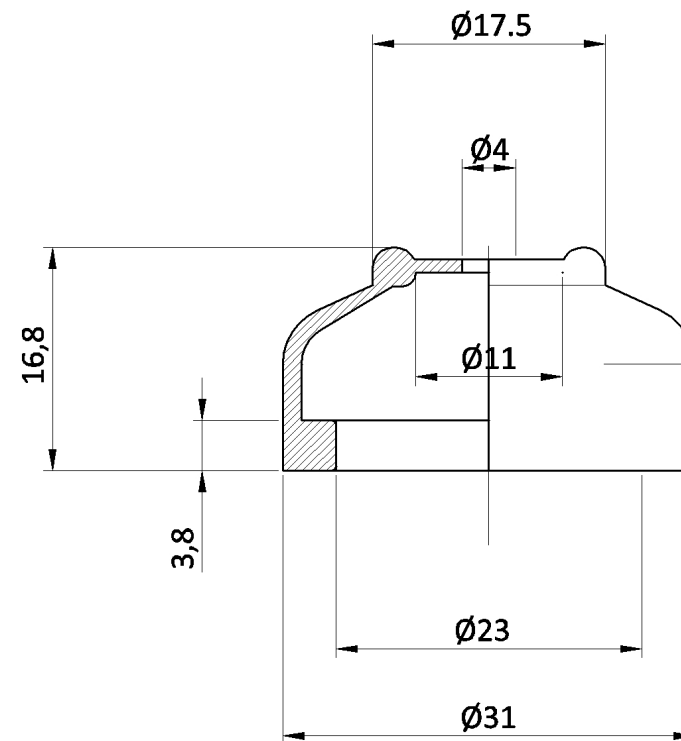


<< Back to all TYPES

5106

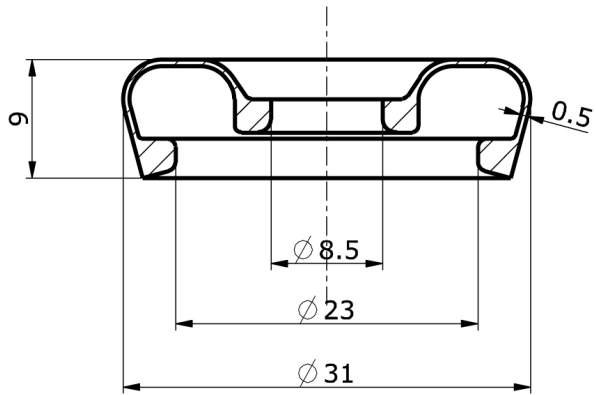


5137

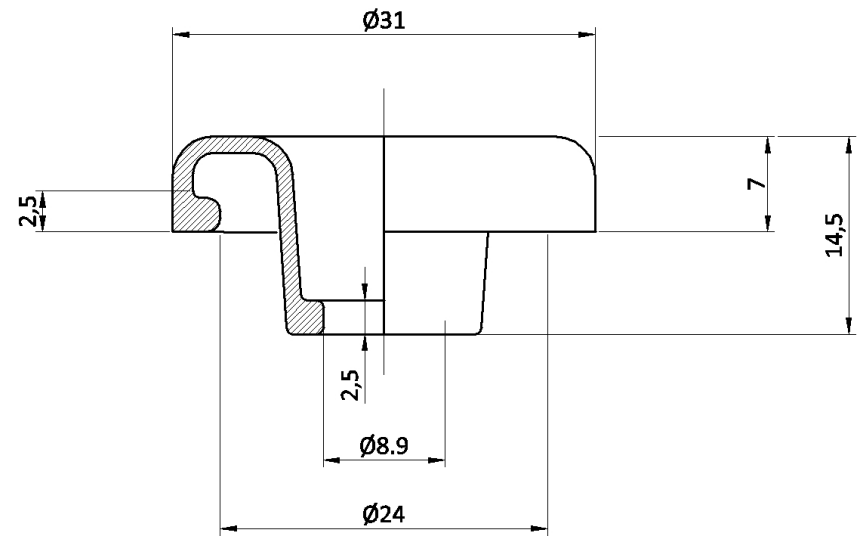


<< Back to all TYPES

5426

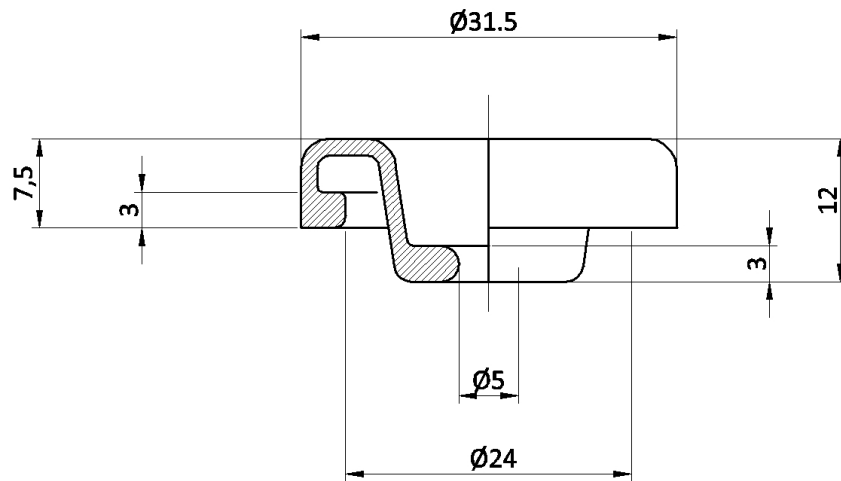


5507

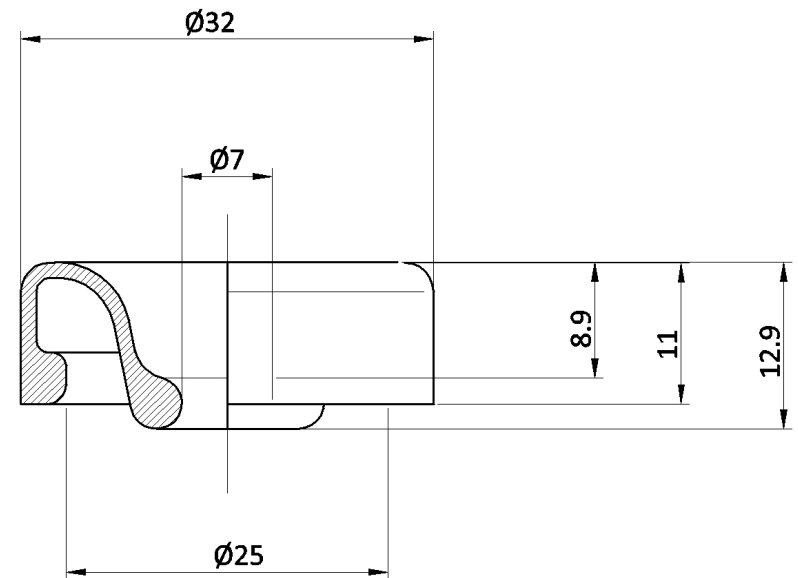


<< Back to all TYPES

5543

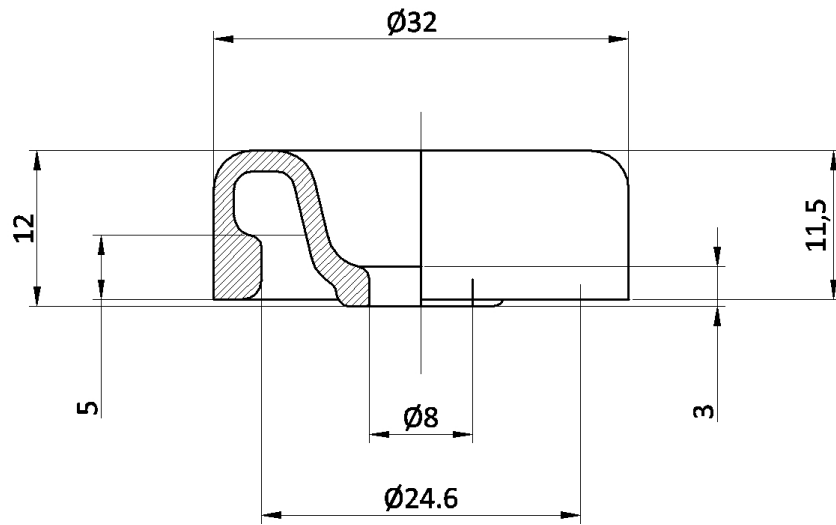


5095

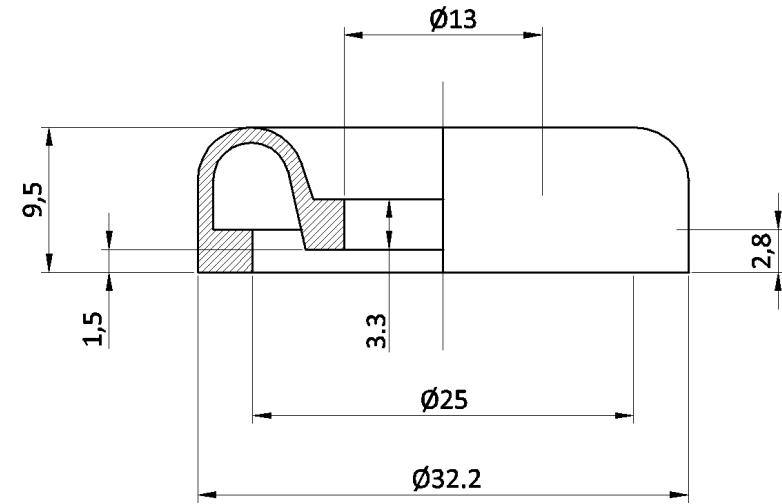


<< Back to all TYPES

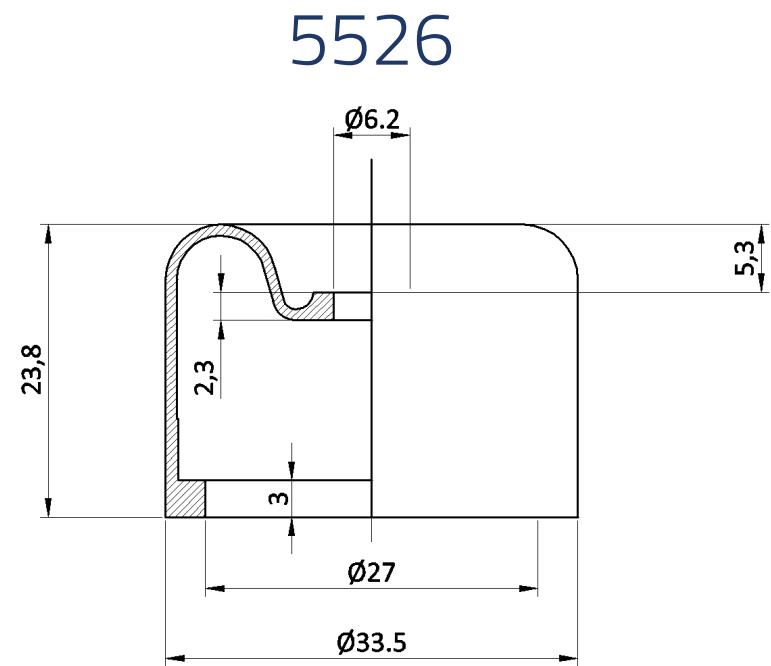
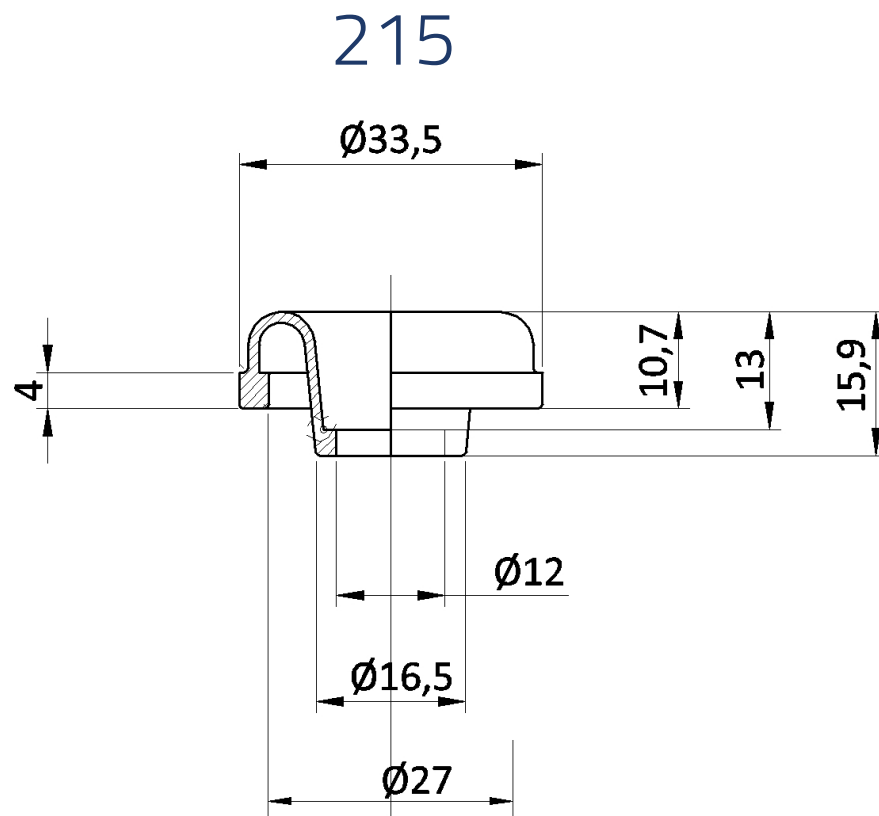
5268



5278

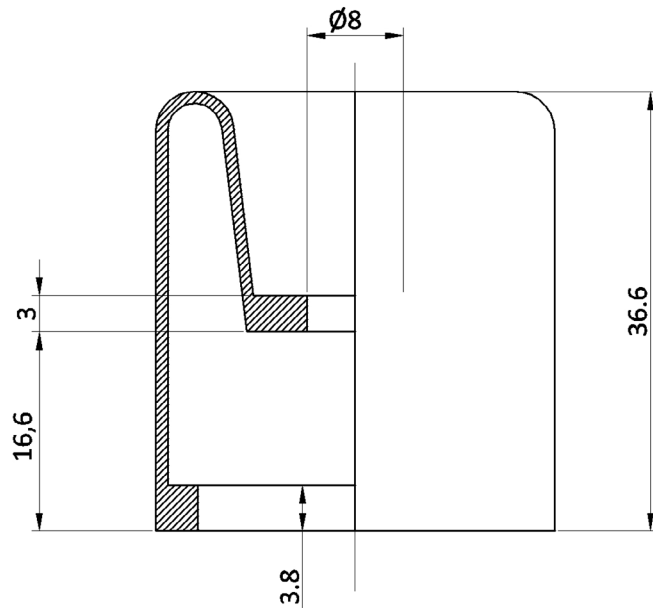


<< Back to all TYPES

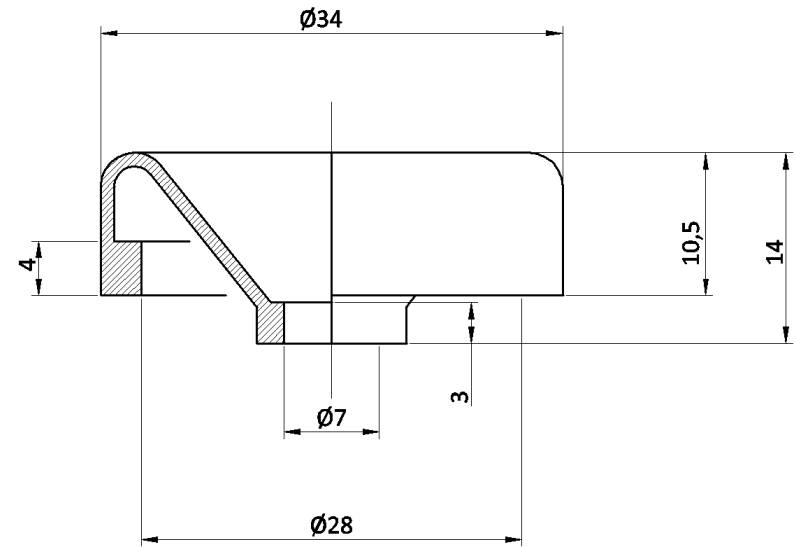


<< Back to all TYPES

5155

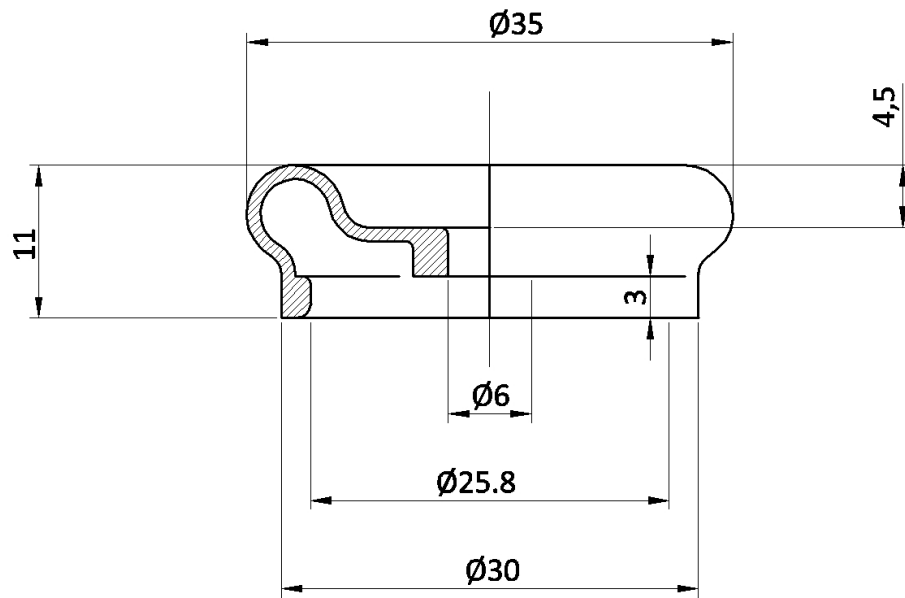


5459

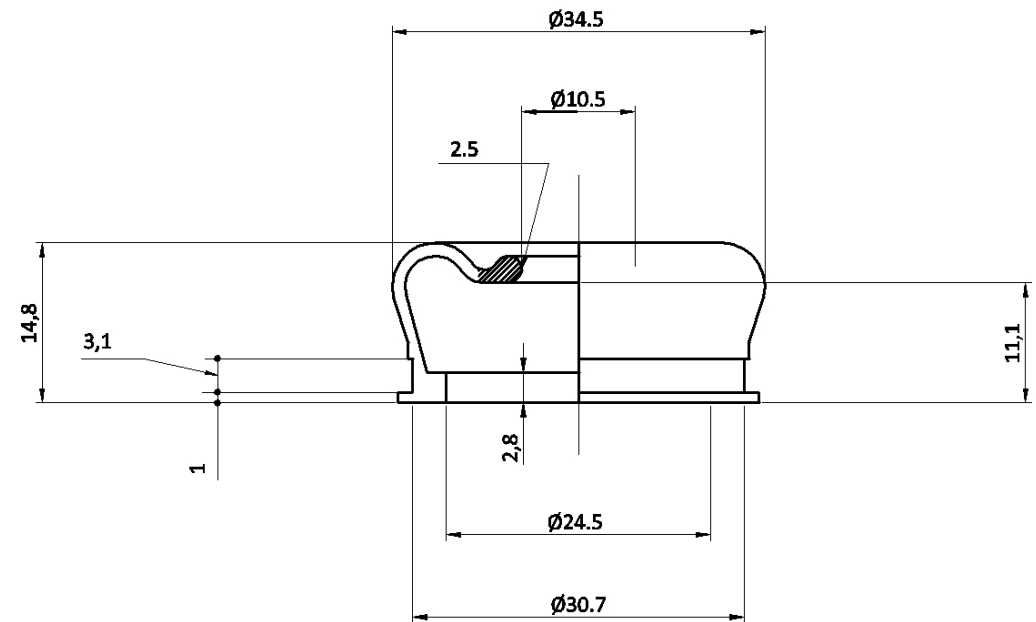


<< Back to all TYPES

5454

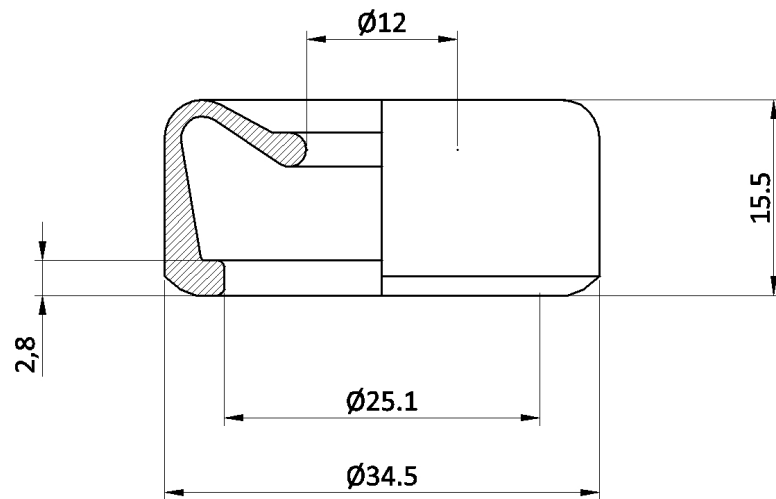


5078

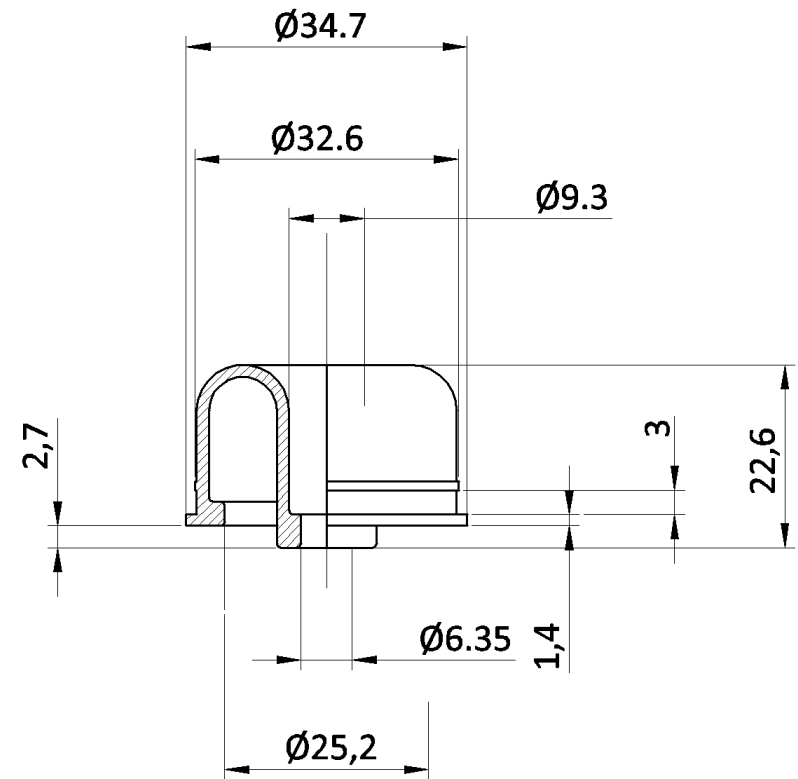


<< Back to all TYPES

5317

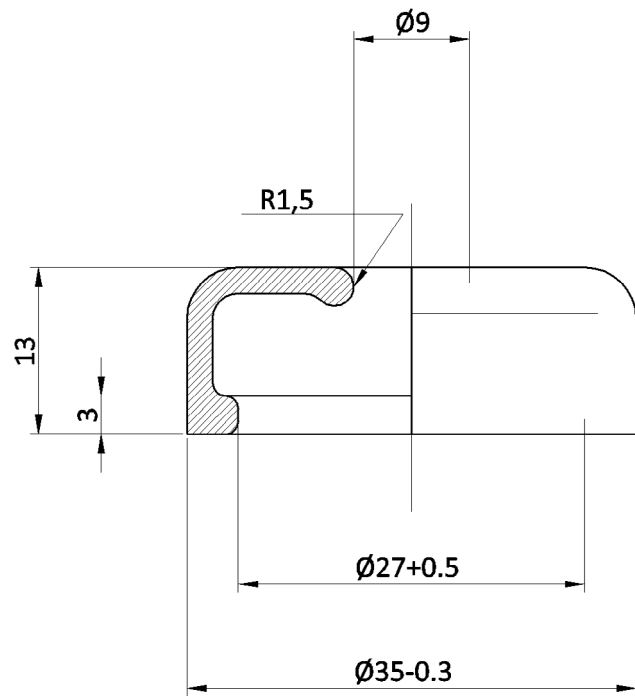


5074

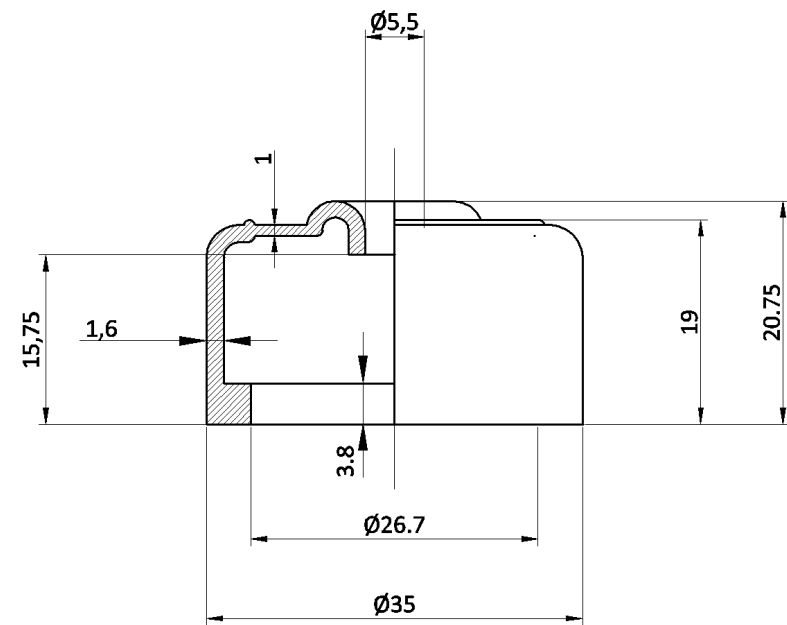


<< Back to all TYPES

5010

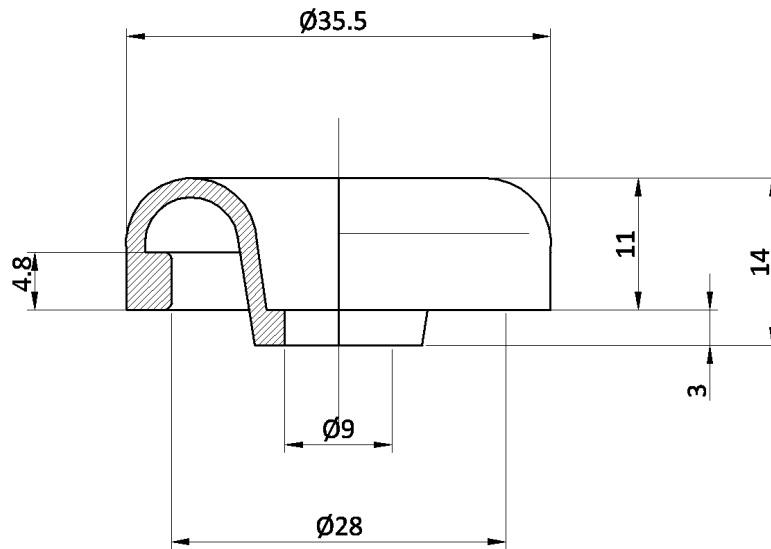


5132

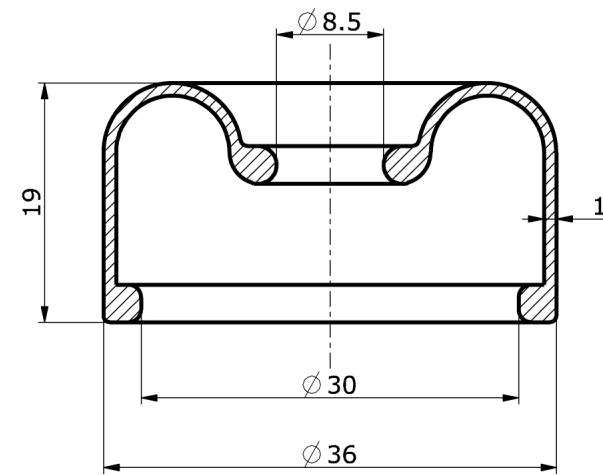


<< Back to all TYPES

5328

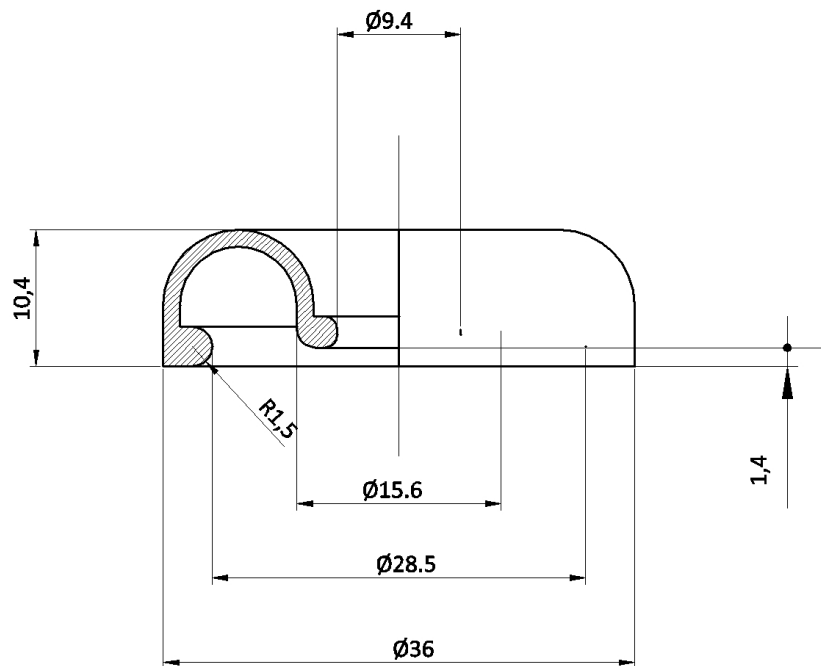


5062

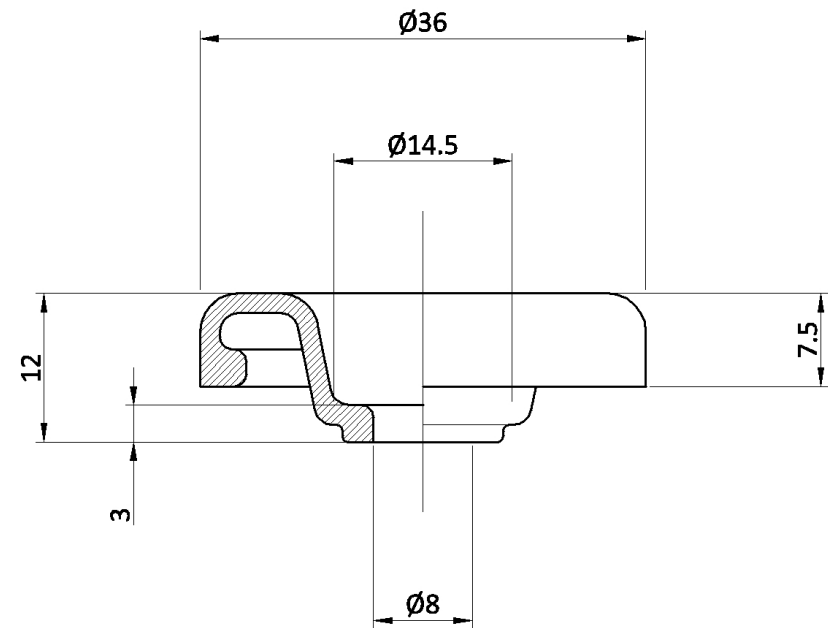


<< Back to all TYPES

5245

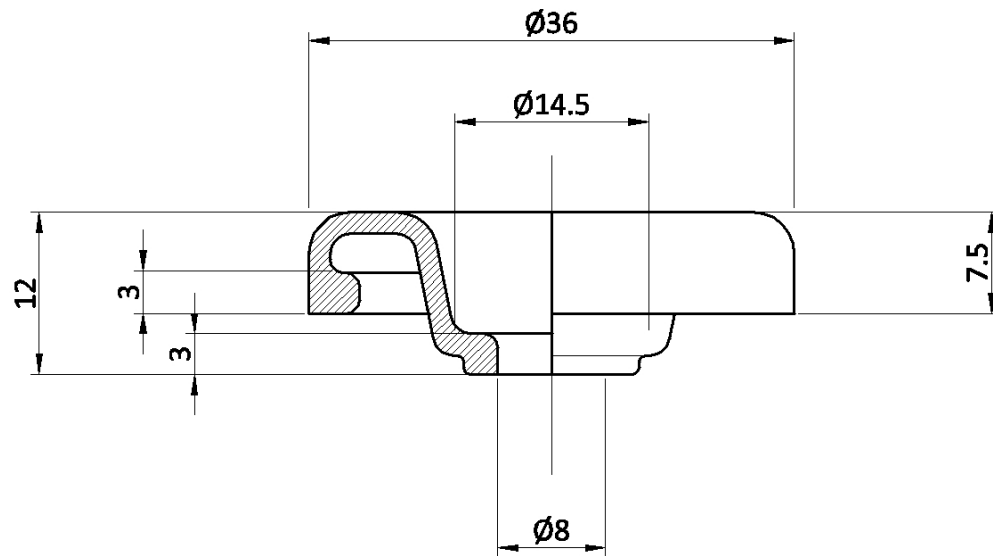


5325

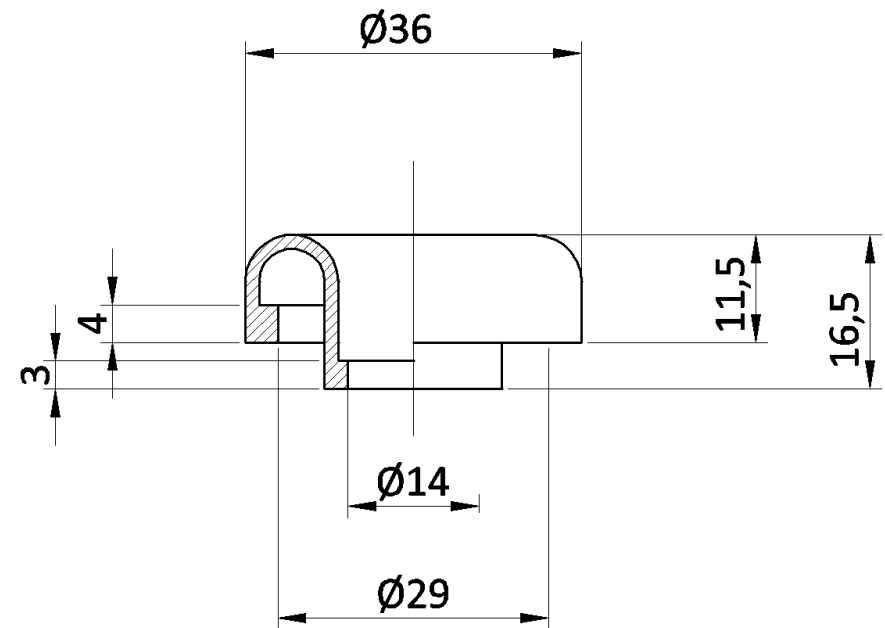


<< Back to all TYPES

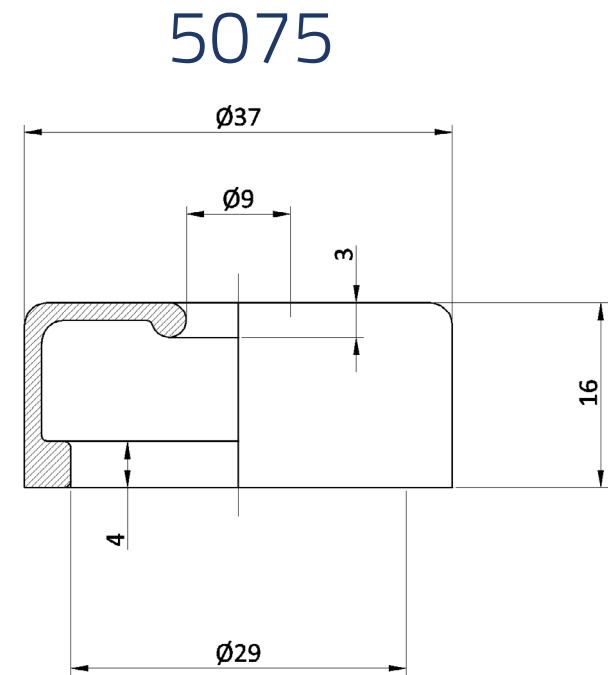
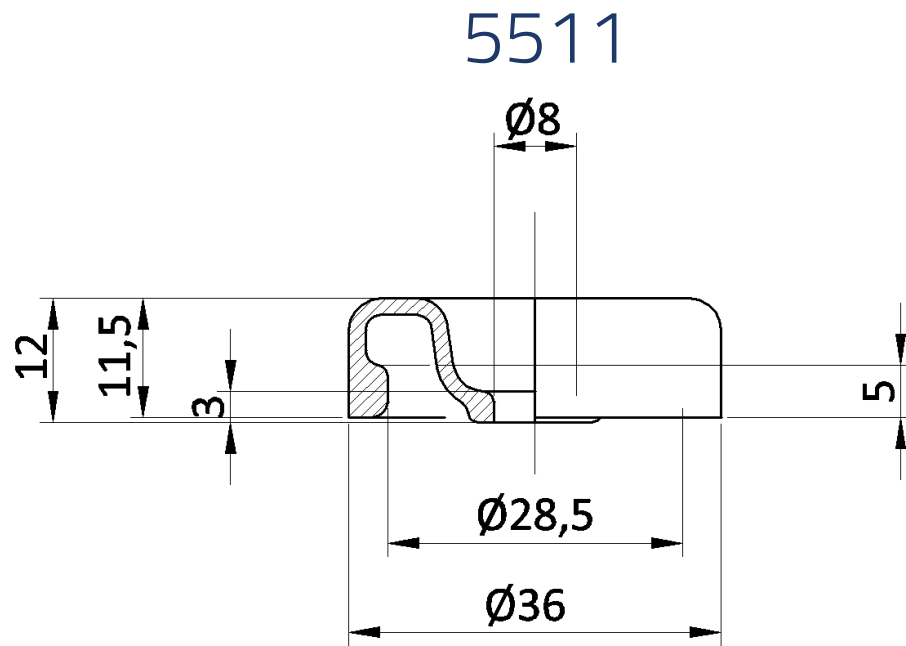
5342



5465

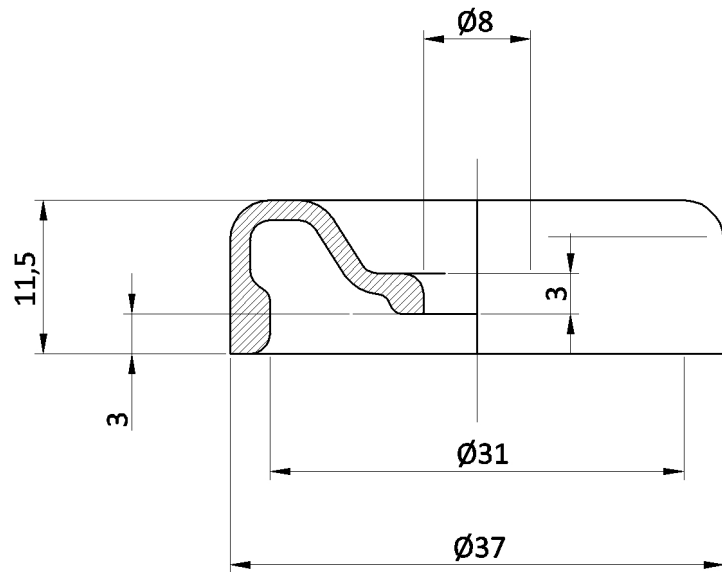


<< Back to all TYPES

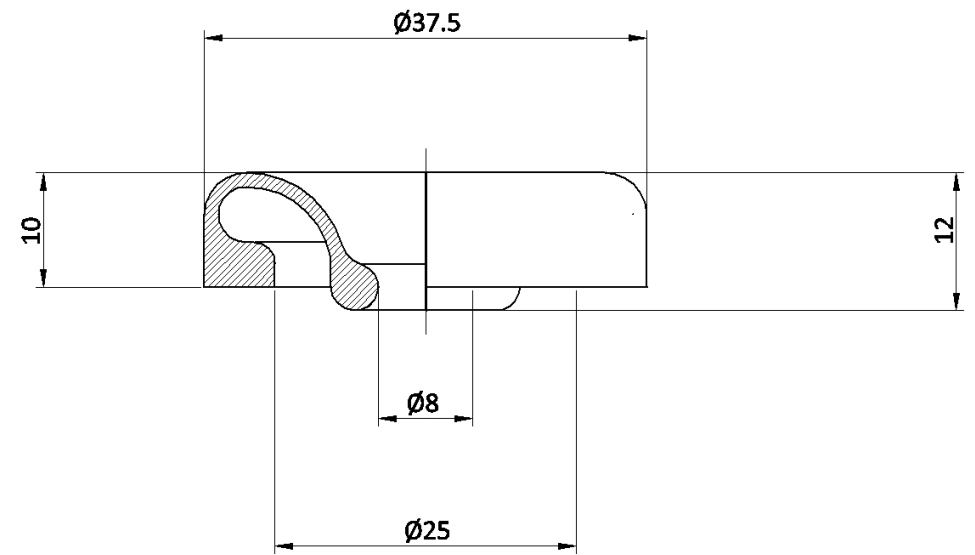


<< Back to all TYPES

3497

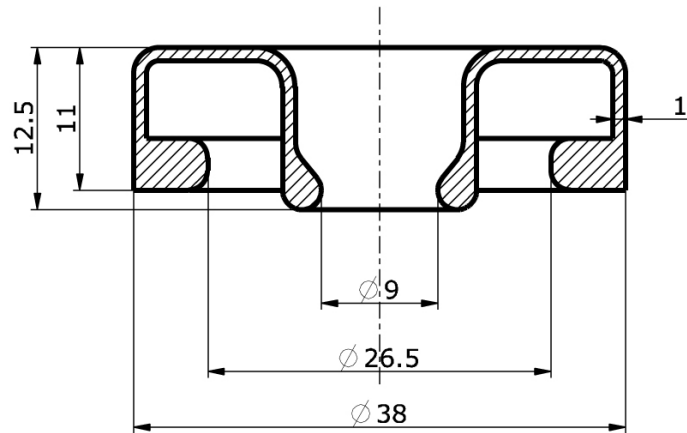


1878

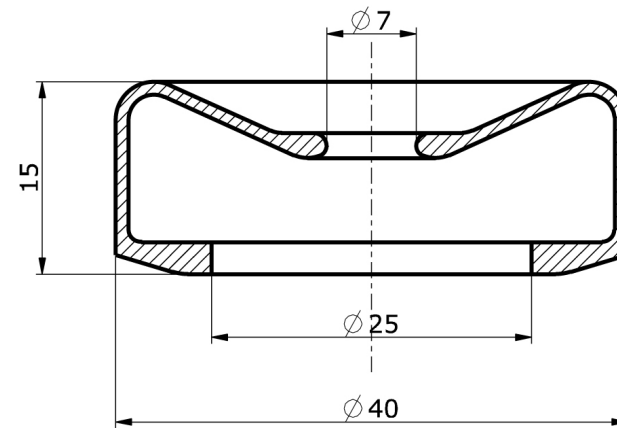


<< Back to all TYPES

5259

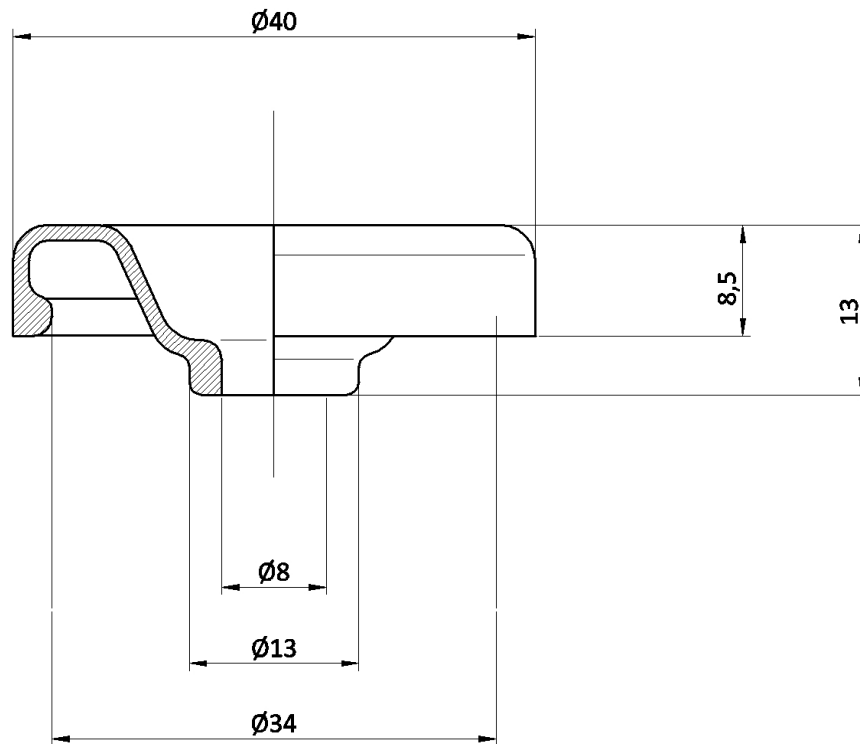


5420

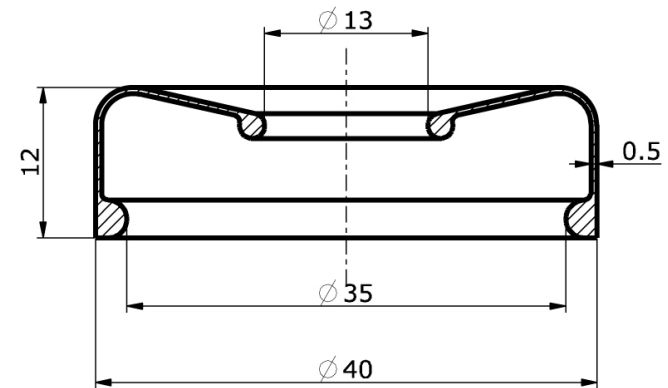


<< Back to all TYPES

5007

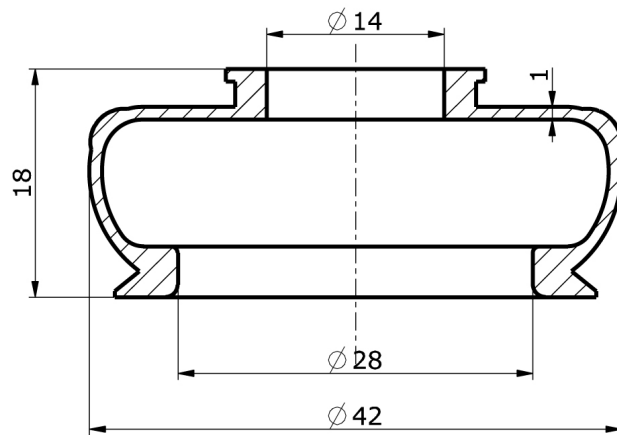


5057

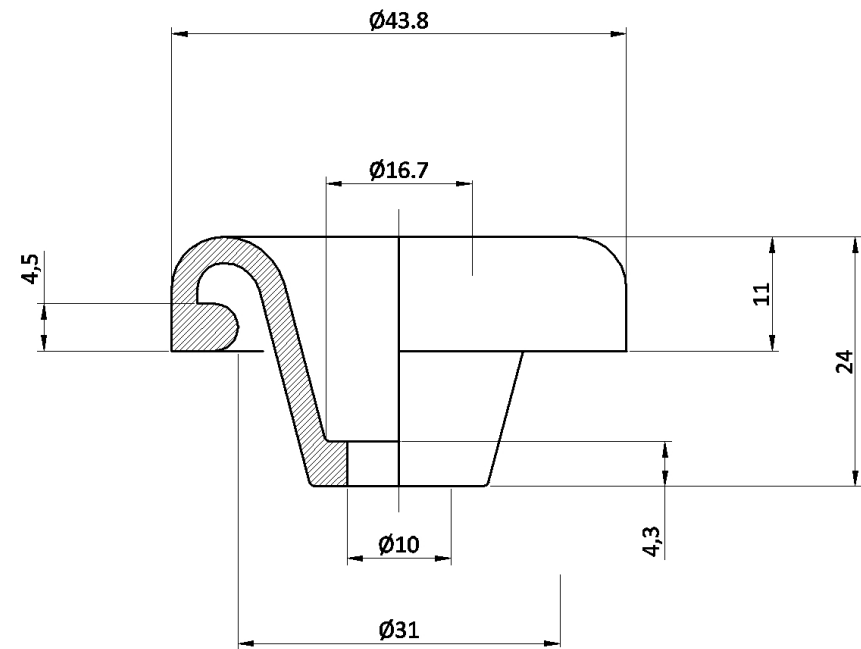


<< Back to all TYPES

2733

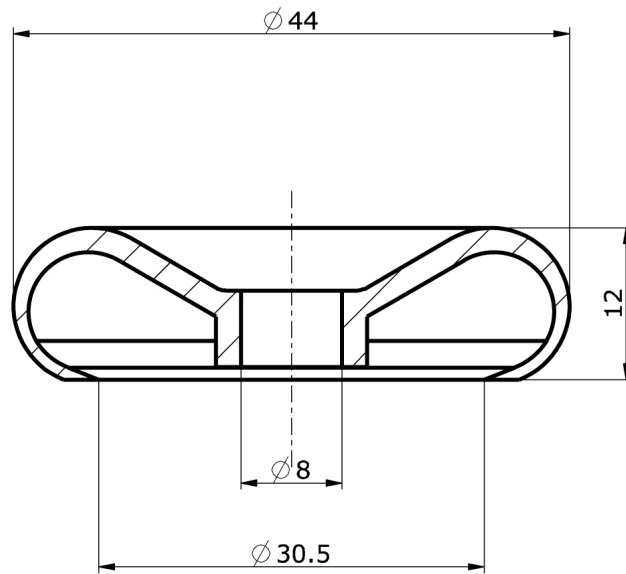


5456

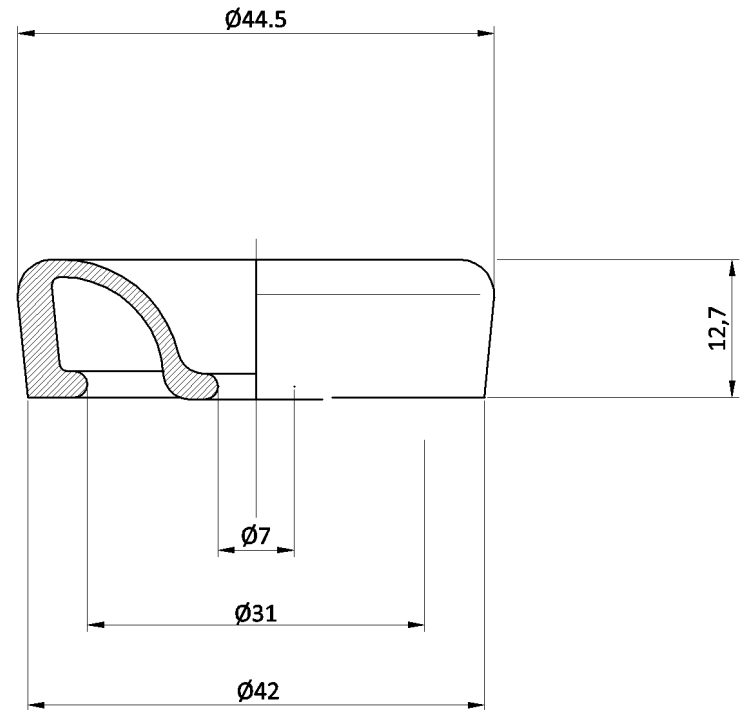


<< Back to all TYPES

2059

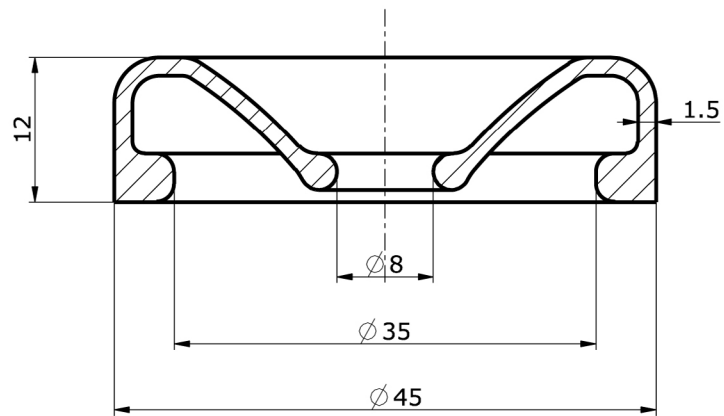


5055

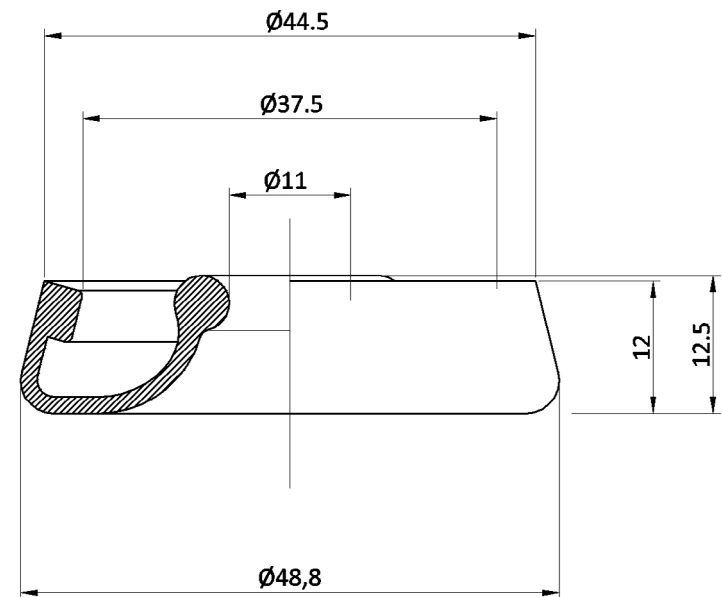


<< Back to all TYPES

2085

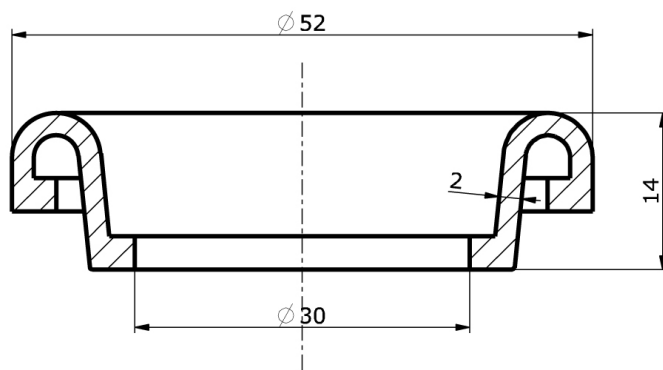


5143

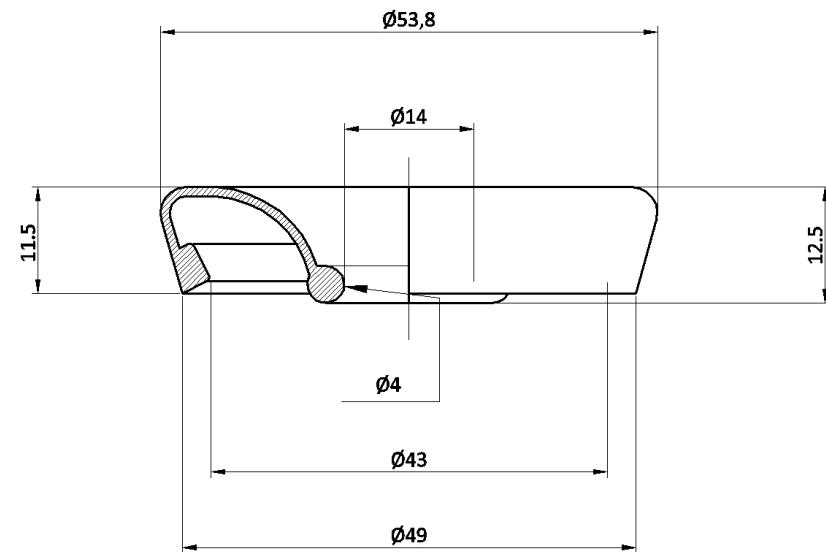


<< Back to all TYPES

5616

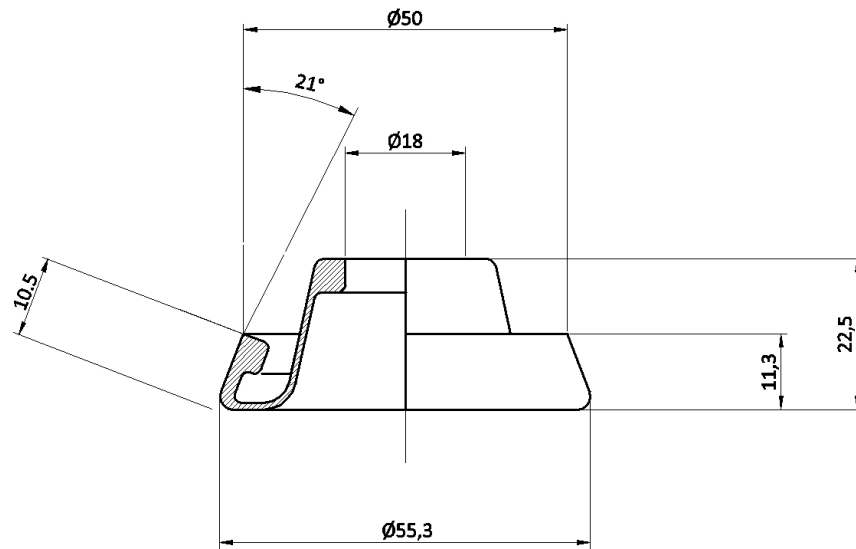


5096

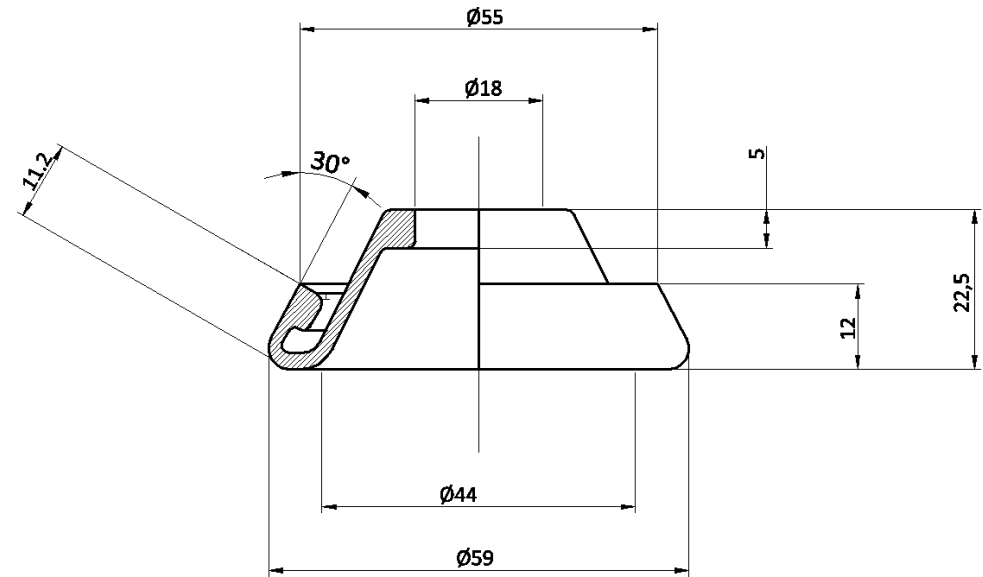


<< Back to all TYPES

5213

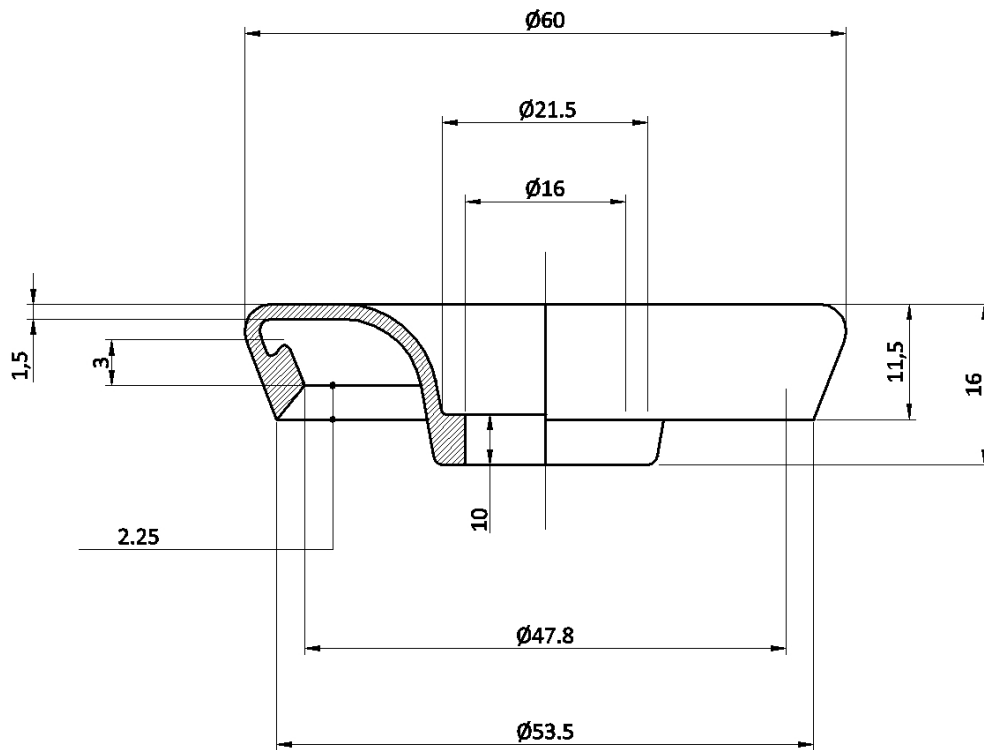


5212

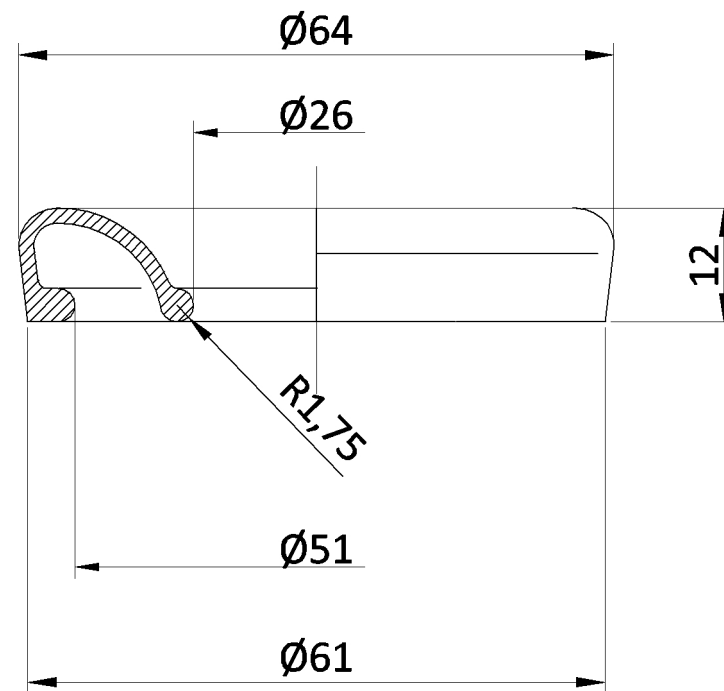


<< Back to all TYPES

5092

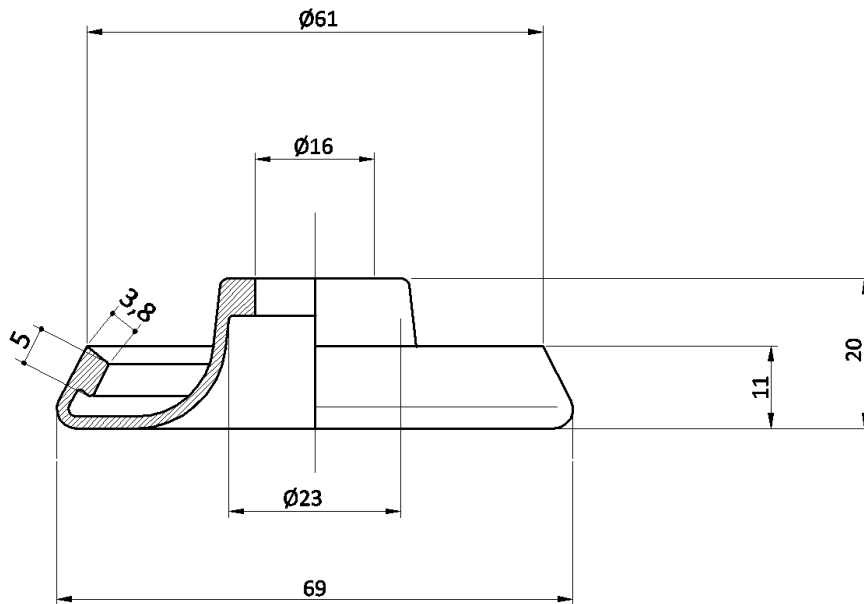


902

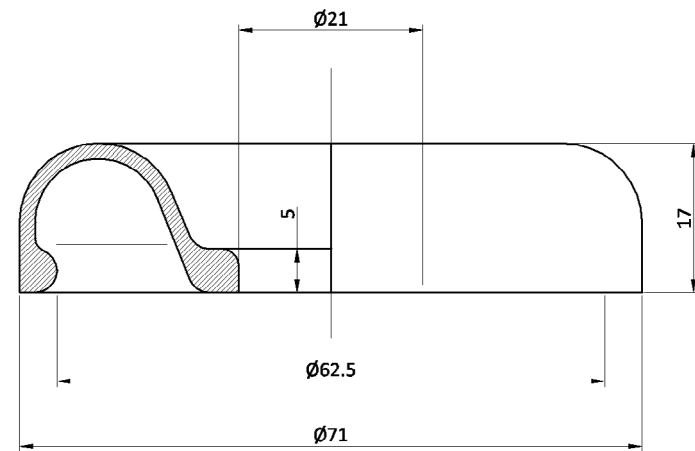


<< Back to all TYPES

5093

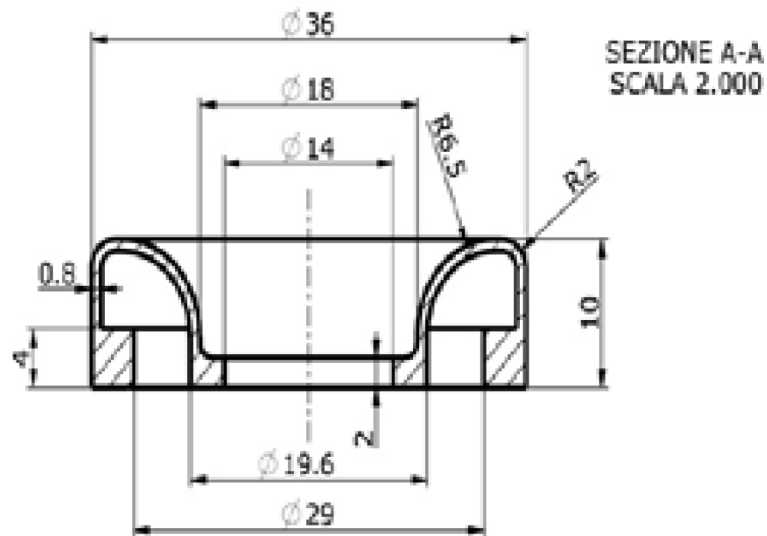


5349



<< Back to all TYPES

5193



Disk brake boots



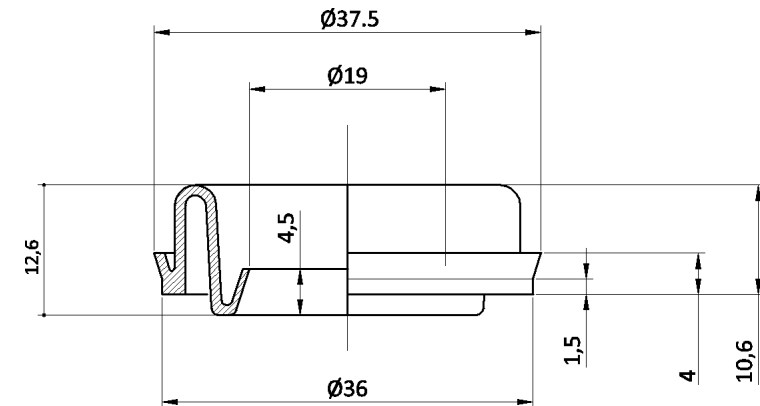
[<< Back to all TYPES](#)

The thumbnails are ordered by increasing size of outer diameter.

5314

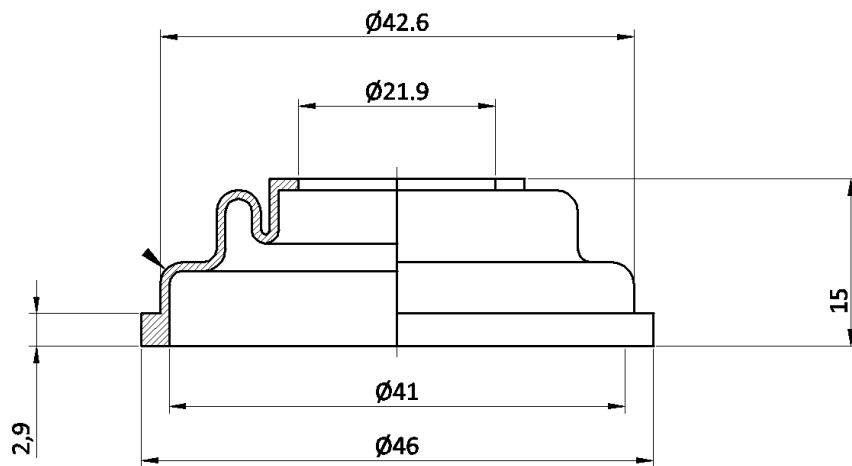


5546

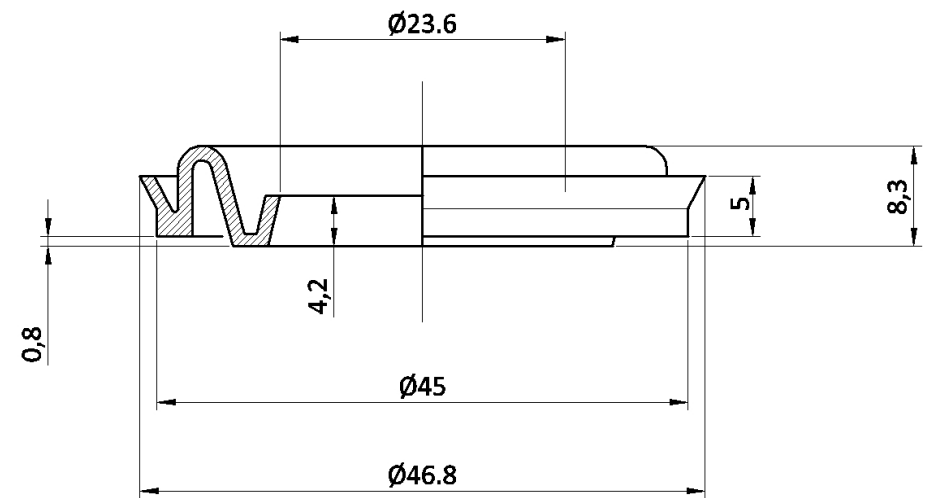


<< Back to all TYPES

5406

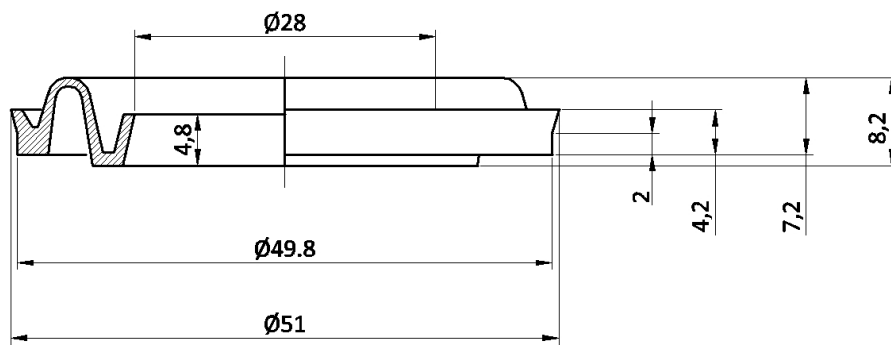


5399

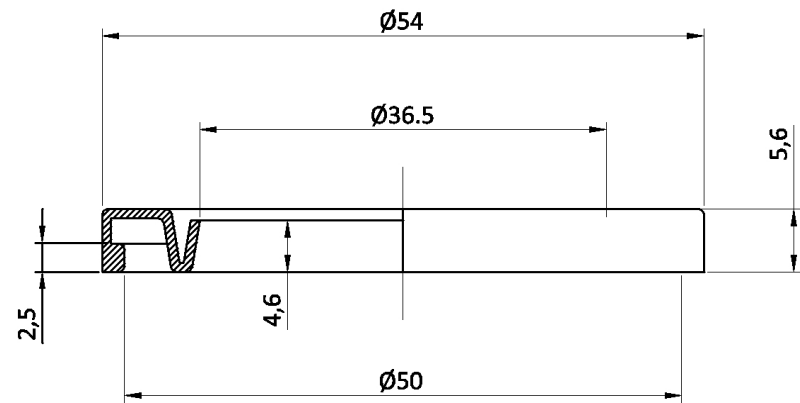


<< Back to all TYPES

5400

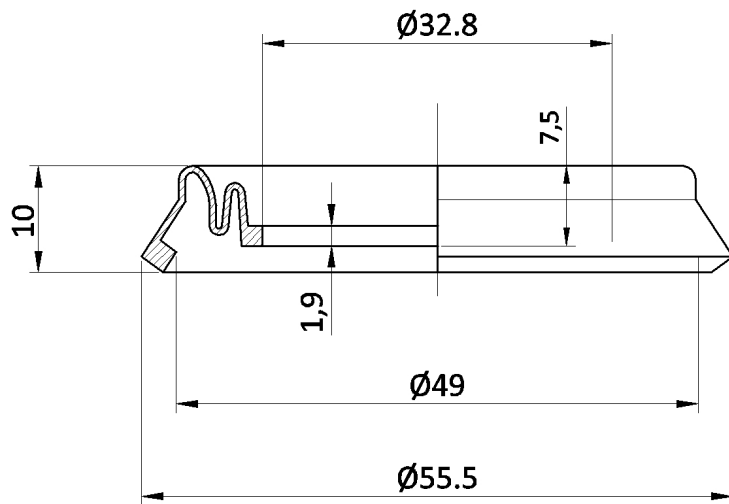


5542

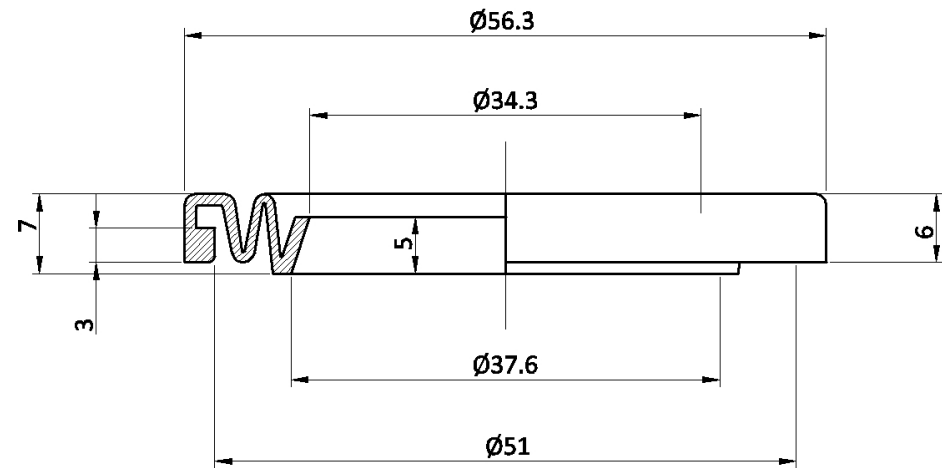


<< Back to all TYPES

5520

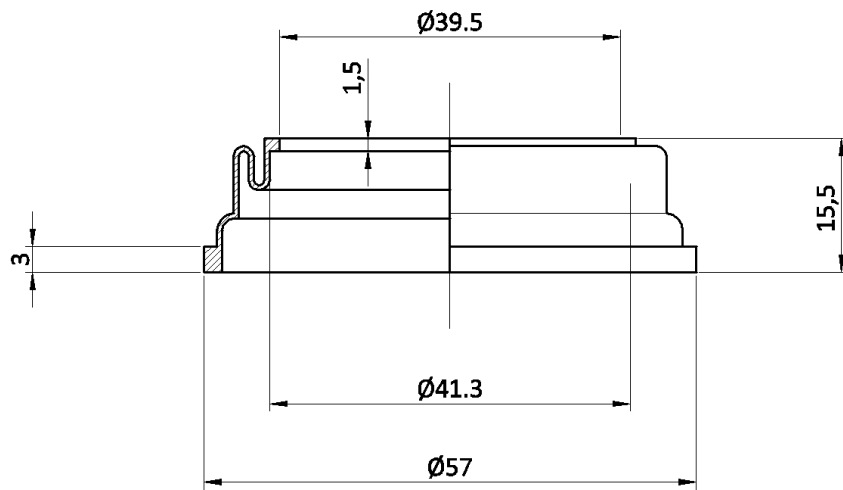


5397

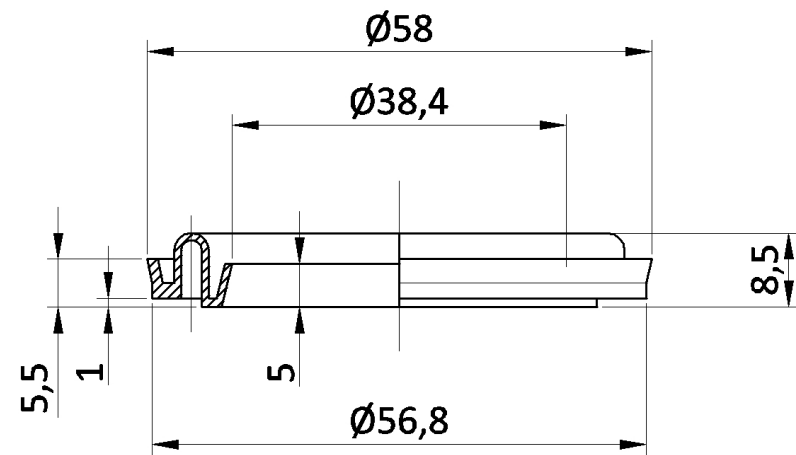


<< Back to all TYPES

5404

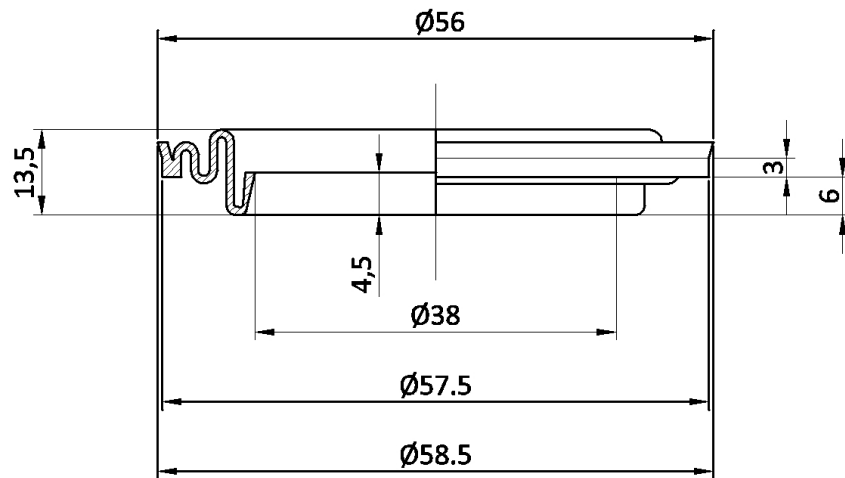


5389

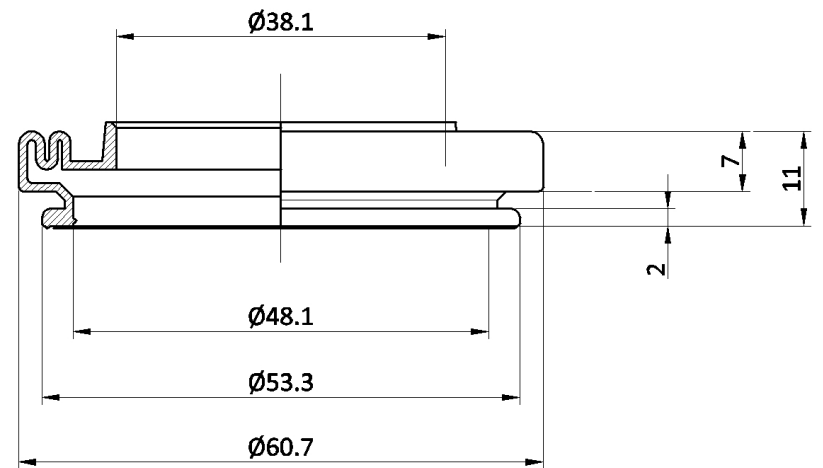


<< Back to all TYPES

5398

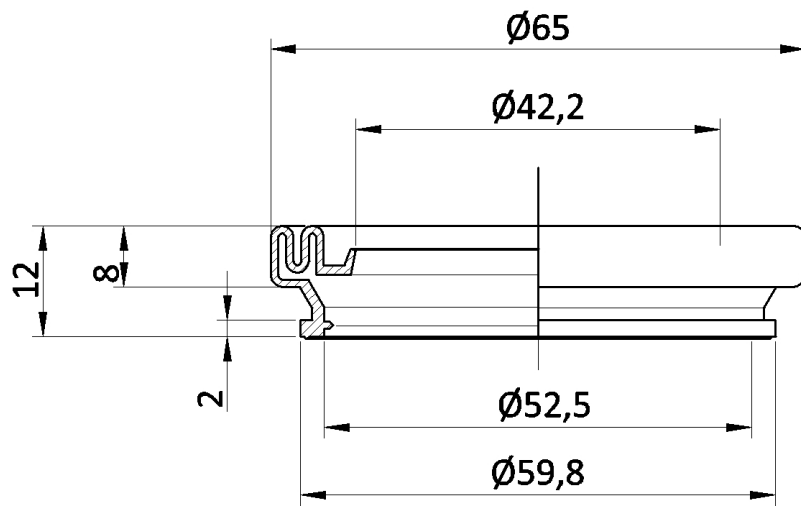


5513

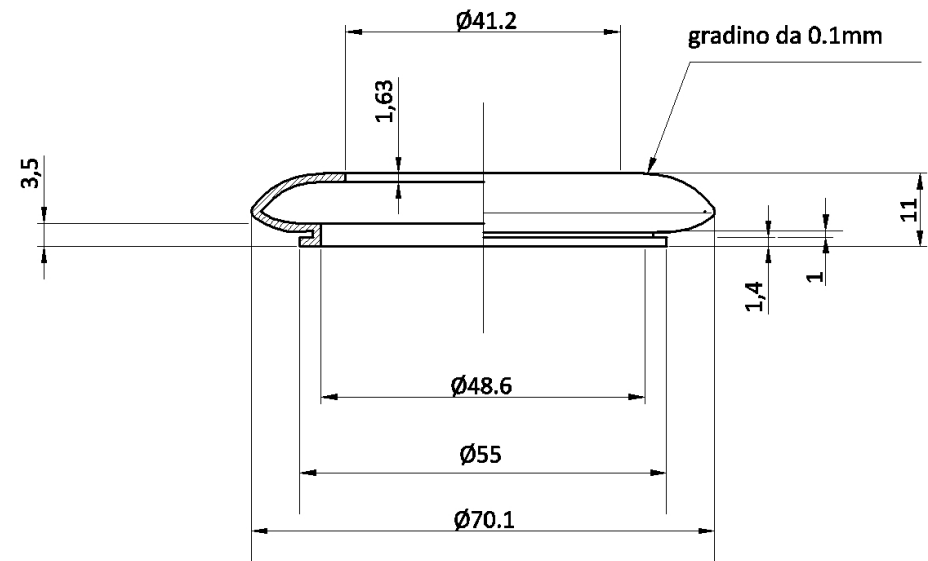


<< Back to all TYPES

5514

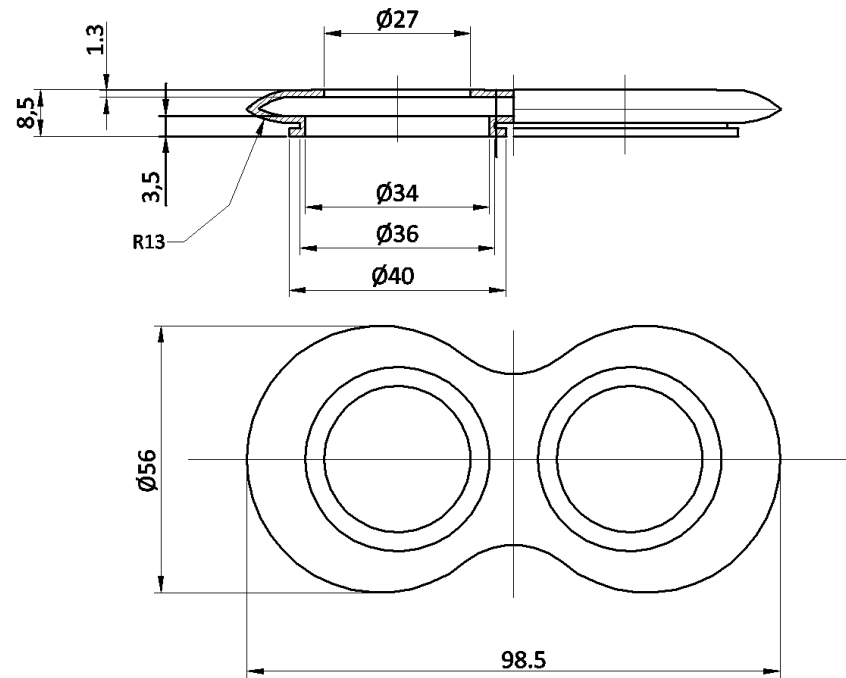


5285



<< Back to all TYPES

5286



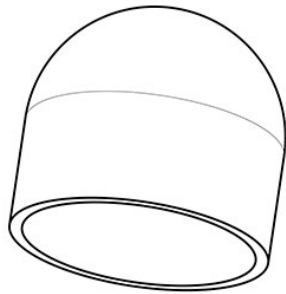
Protection caps



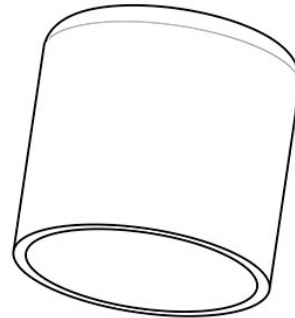
<< Back to all TYPES

Click on the **profile** that suits your needs to access the table with quotations and the SAPAT codes.

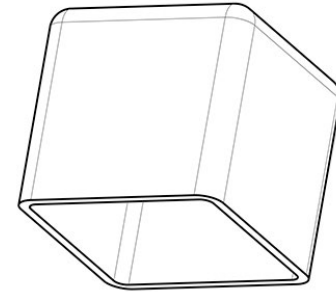
1



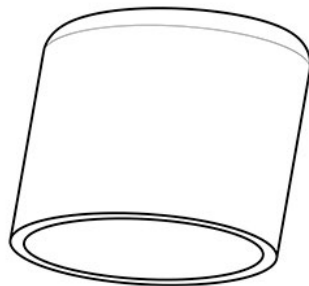
2



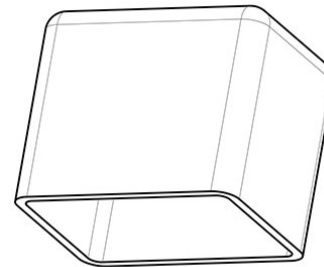
3



4

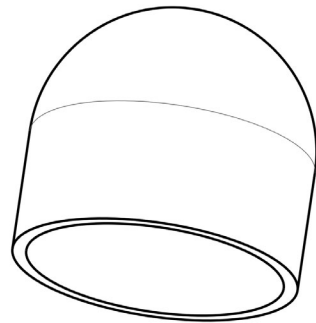
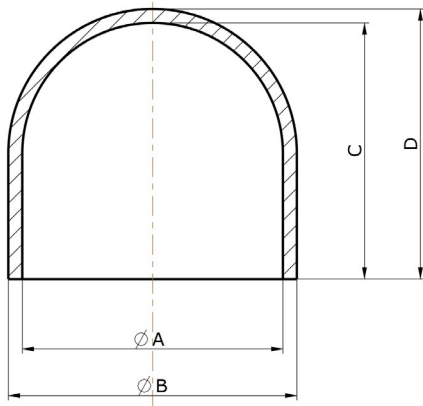


5



<< Back to all TYPES

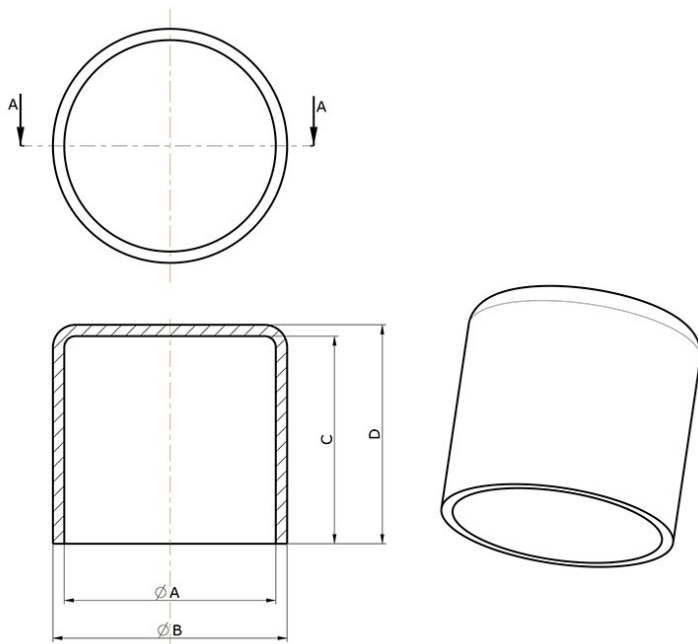
TYPE 1



A	B	C	D	Note	SAPAT Code
5	7	10	24		3998
6	8.5	18	20		4086
9	12	75	78		4393
10	16	13	14		4734
18	30 > 25	38	42		2580
36	40	16	18		2648

<< Back to all TYPES

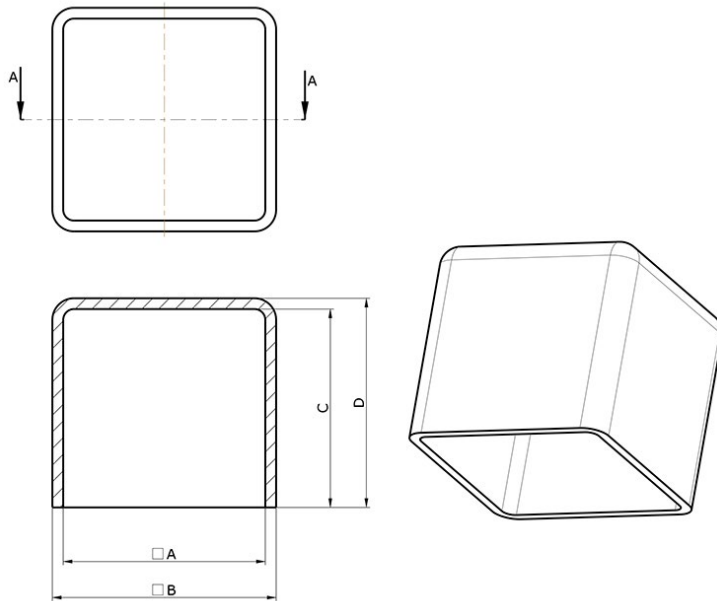
TYPE 2



A	B	C	D	Note	SAPAT Code
5	8.5	7.5	8.5		2987
7	18>>14	20	24	TYPE foot	3796
8	18	12.5	15		379
9	14.5	15.5	22		4408
10	13	10.5	15	TYPE foot	2574
11	22>>19	8	13		4623
12	16.5>>24	7.5	13.5		4633
15	29>>21	24	32	TYPE foot	3790
17	24	8.5	13.5	Int. hexagonal	4679
17	27>>23	31	34	TYPE foot	3559
17	20	13	15		1321
18	34>>24	31	43	TYPE foot	3791
13.6	16	10	11.7		3125
19	22.5	15	16		4851
20	26	14.5	16		3996
20	30	36	40	TYPE foot	2267
20	33	33	35		5149
22	34>>25	24	29	TYPE foot	3649
150	160	20	27	Holed	3611

<< Back to all TYPES

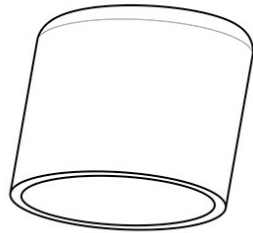
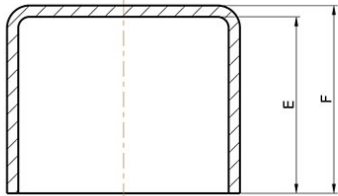
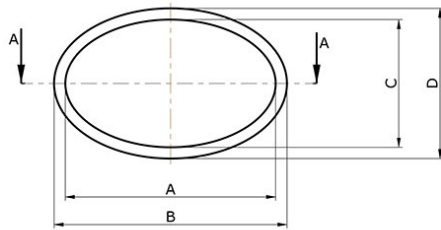
TYPE 3



A	B	C	D	Note	SAPAT Code
28.5	22	31	35		2577
33	25	30	38		2581

<< Back to all TYPES

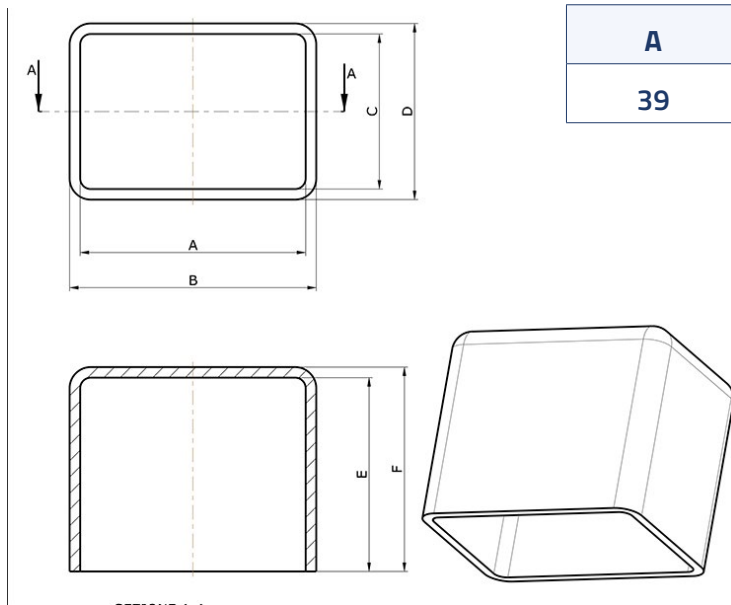
TYPE 4



A	B	C	D	E	F	Note	SAPAT Code
16	18.5	1.5	7	10.5	14		4560
16.5	18	4	7	13.5	17		4595
18	22	7	9	14	17		4206

<< Back to all TYPES

TYPE 5



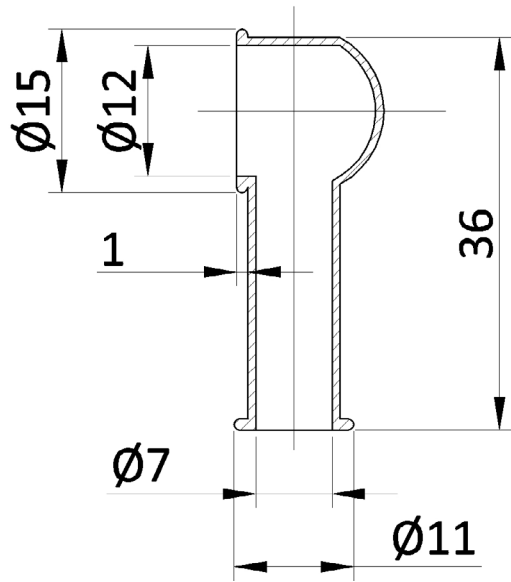
A	B	C	D	E	F	Note	SAPAT Code
39	50	32.5	39	38	45		3864

Pipettes - other caps

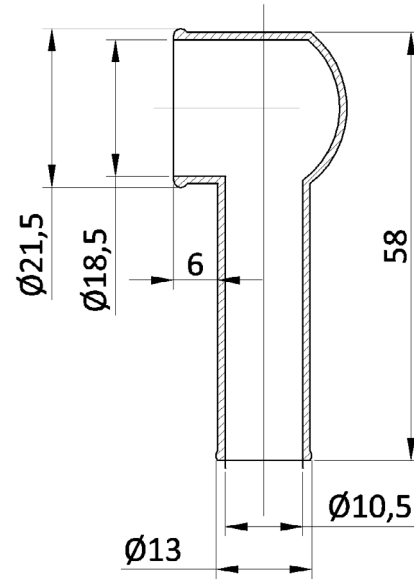


<< Back to all TYPES

123



124



125

