



sapat

Production of rubber and silicone items since 1942

CATALOGUE 2024



Collar seals



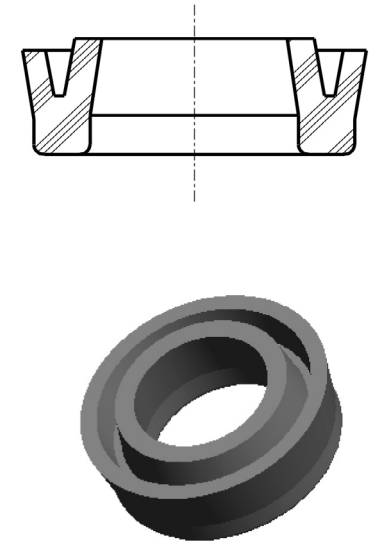
Click on the SAPAT code or on the measure to view the quoted drawing. Click on the first one in the list to browse all drawings.

1

OUTER Ø	SAPAT Code
13,8	5419
14,6	5486
15	5477
15,6	5473
16,5	5433
16,5	5472
16,8	5130
17,15	2879
18,4	5136
18,4	5476
18,5	5432
18,6	5308
18,65	5533
19	5418
19,75	5478
20	5517
20	5523
20,1	5532
21,2	5448
21,4	5480
21,4	5558
21,4	5559
21,5	5457
22,6	5549

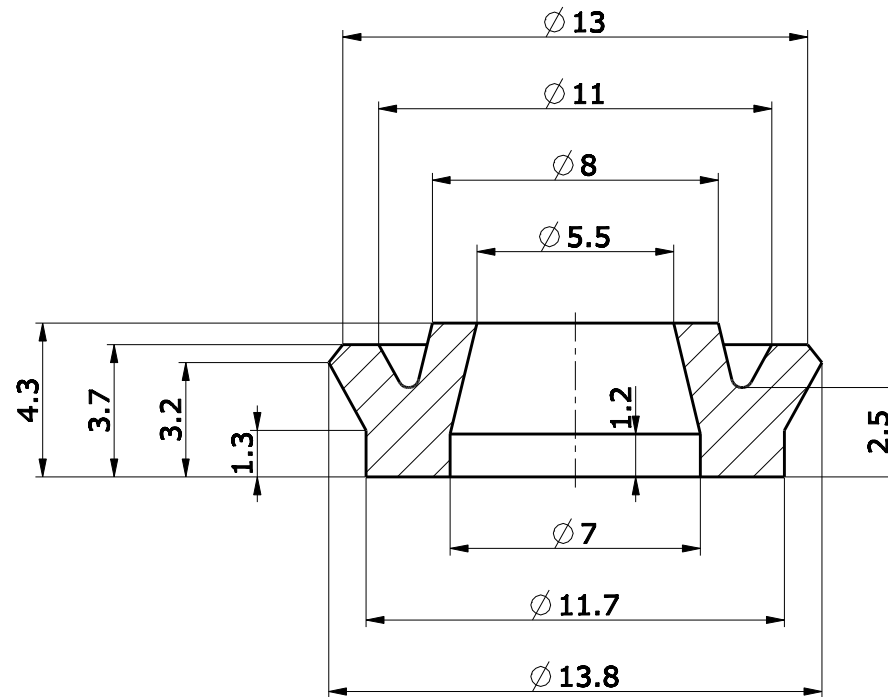
2

OUTER Ø	SAPAT Code
22,7	5466
22,7	5471
23	5119
23,8	5020
25,2	5118
25,7	5319
26,1	5506
26,2	5497
26,5	5034
26,7	5067
27,2	5318
27,6	5094
29	5407
30,8	5144
31,2	5194
32	5146
32,1	5488
33,4	5449
33,4	5487
34,2	5145
36,3	5537
36,8	5323
41,2	5504
49,6	5505



<< Back to all TYPES

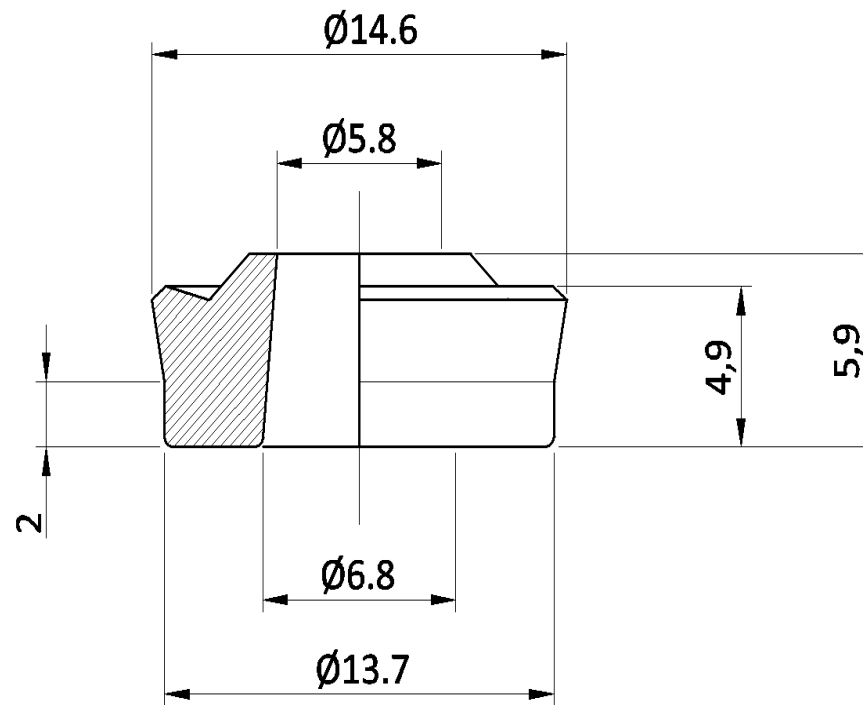
5419



SEZIONE A-A
SCALA 5.000

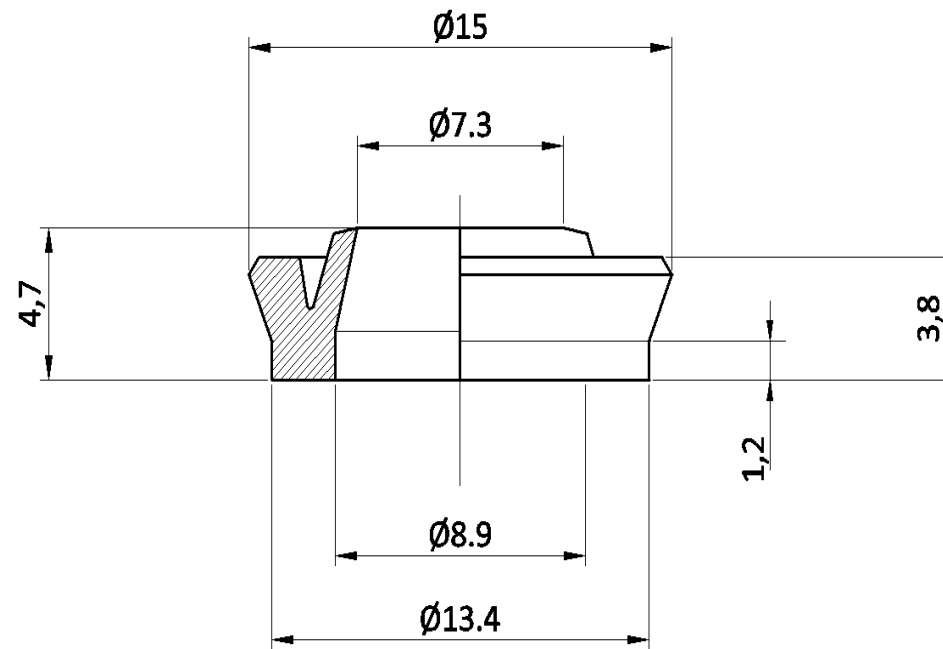
<< Back to all TYPES

5486



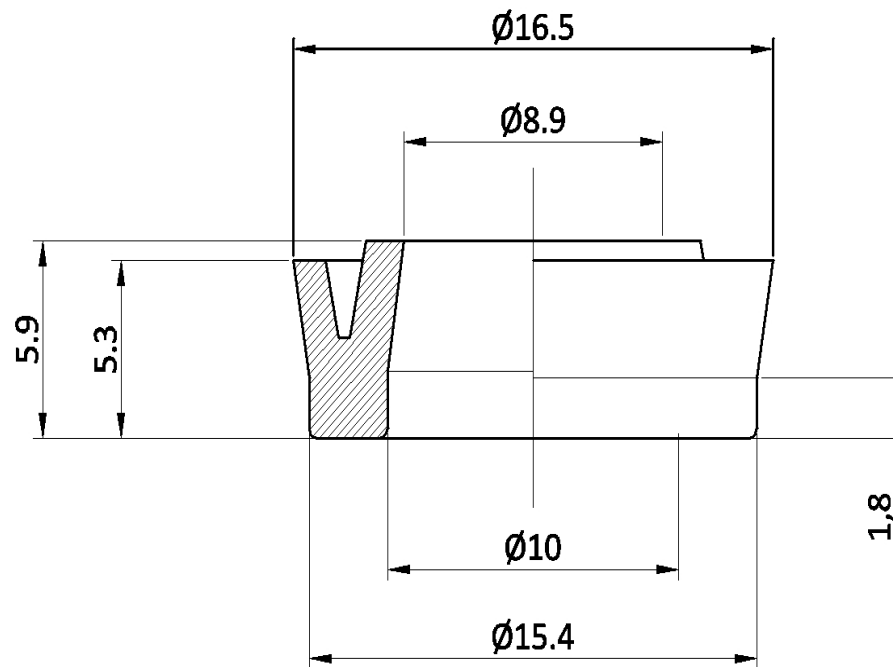
<< Back to all TYPES

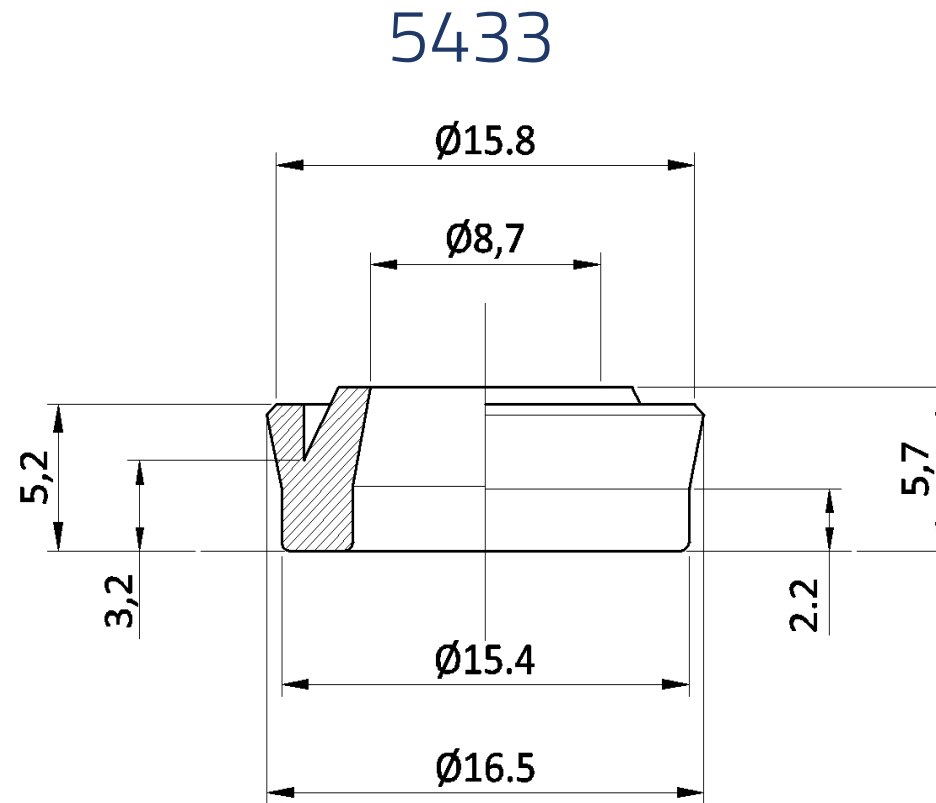
5477



<< Back to all TYPES

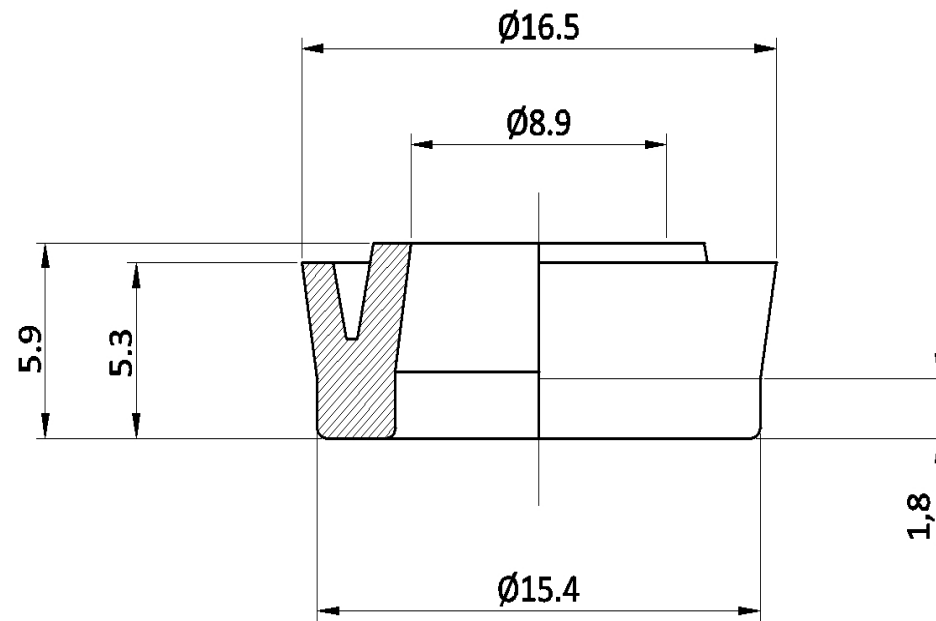
5473

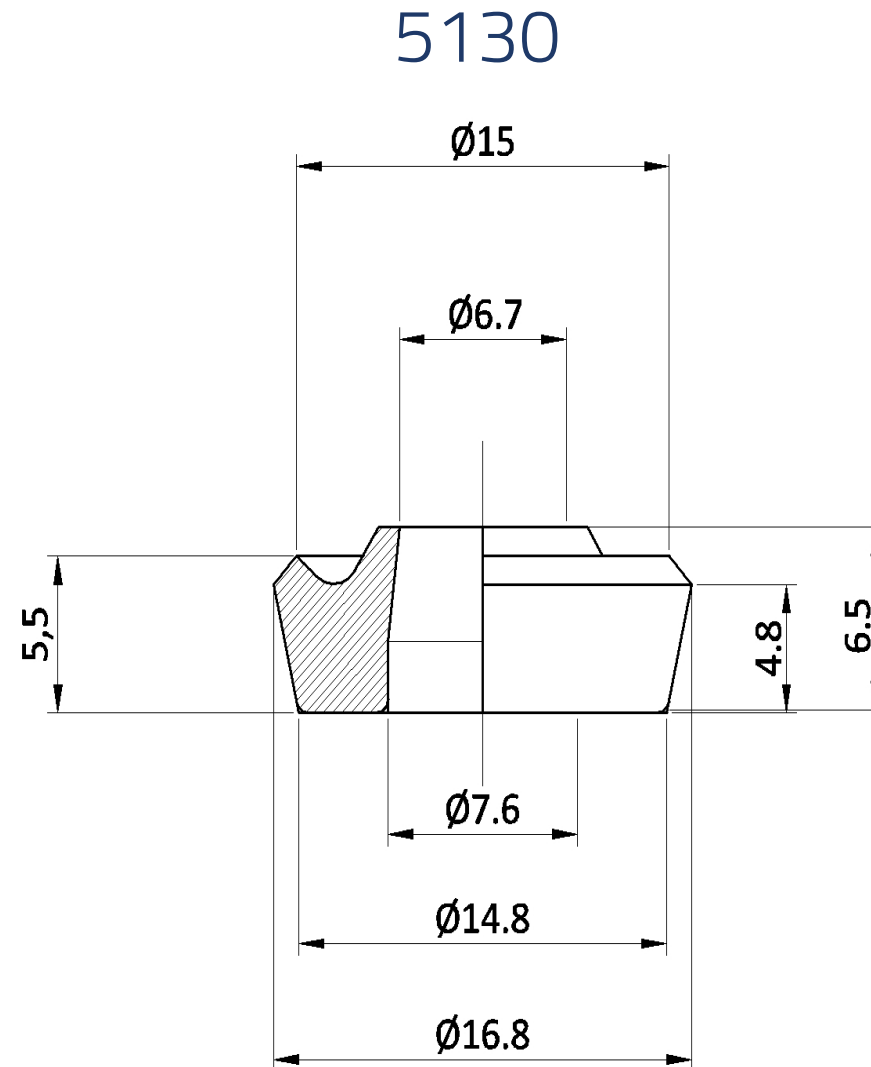


[<< Back to all TYPES](#)

<< Back to all TYPES

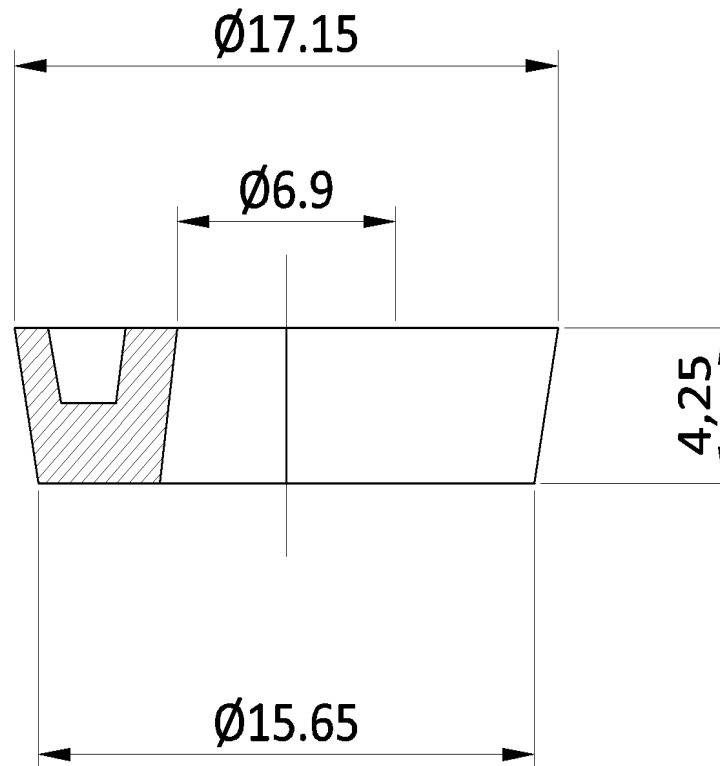
5472



[<< Back to all TYPES](#)

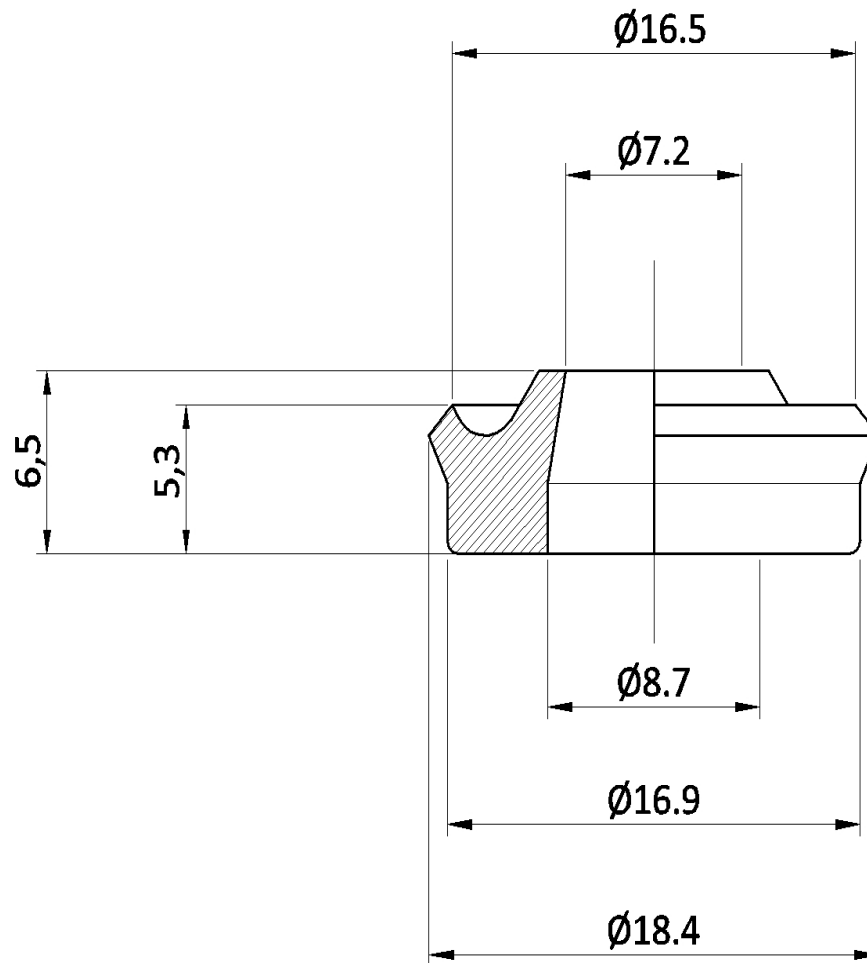
<< Back to all TYPES

2879



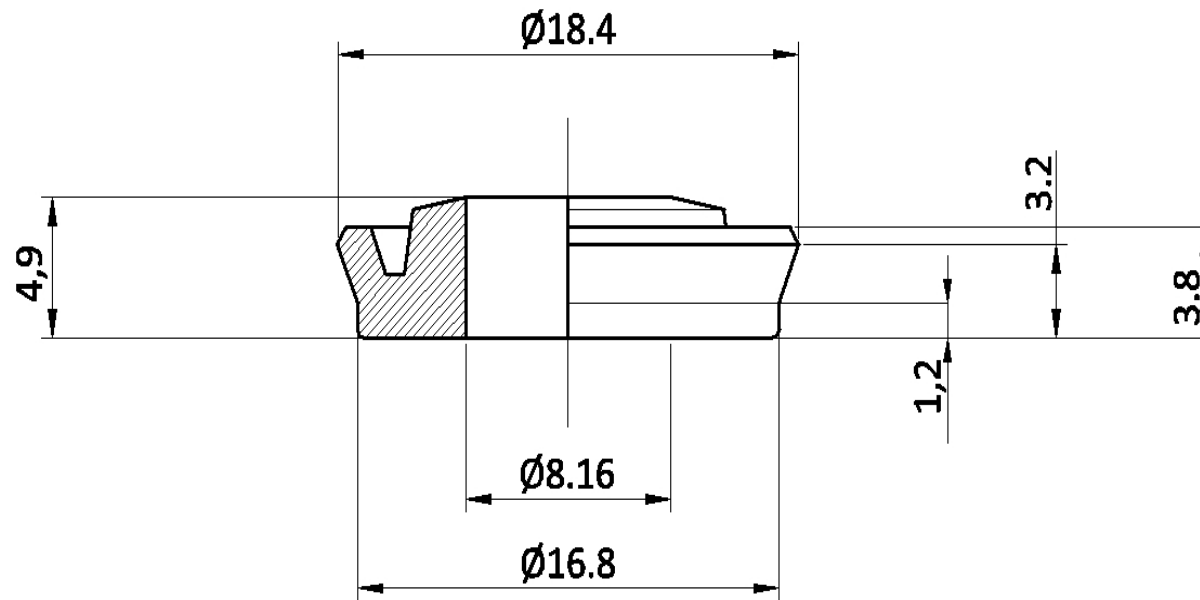
<< Back to all TYPES

5136



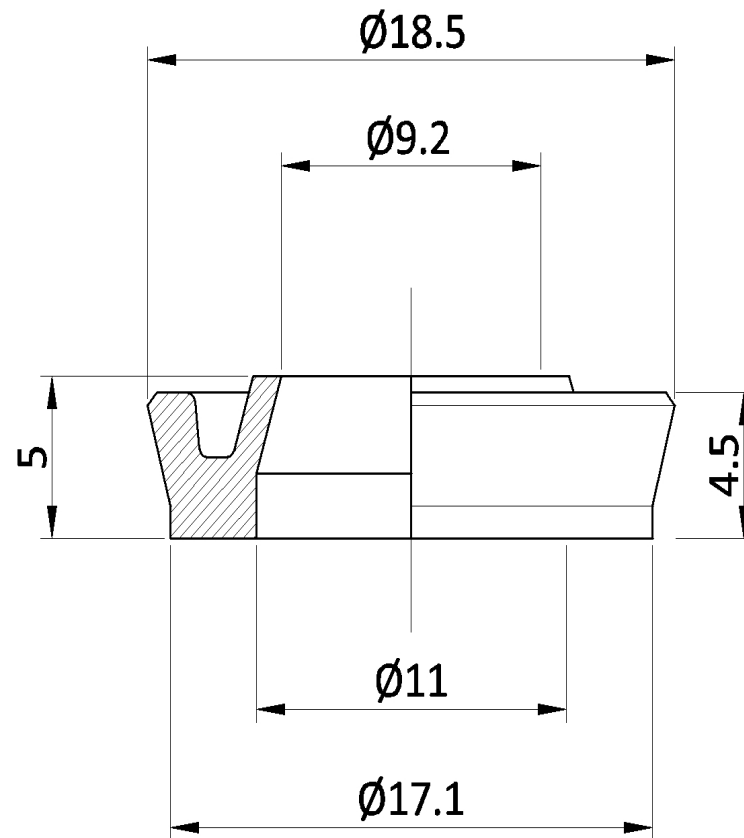
<< Back to all TYPES

5476



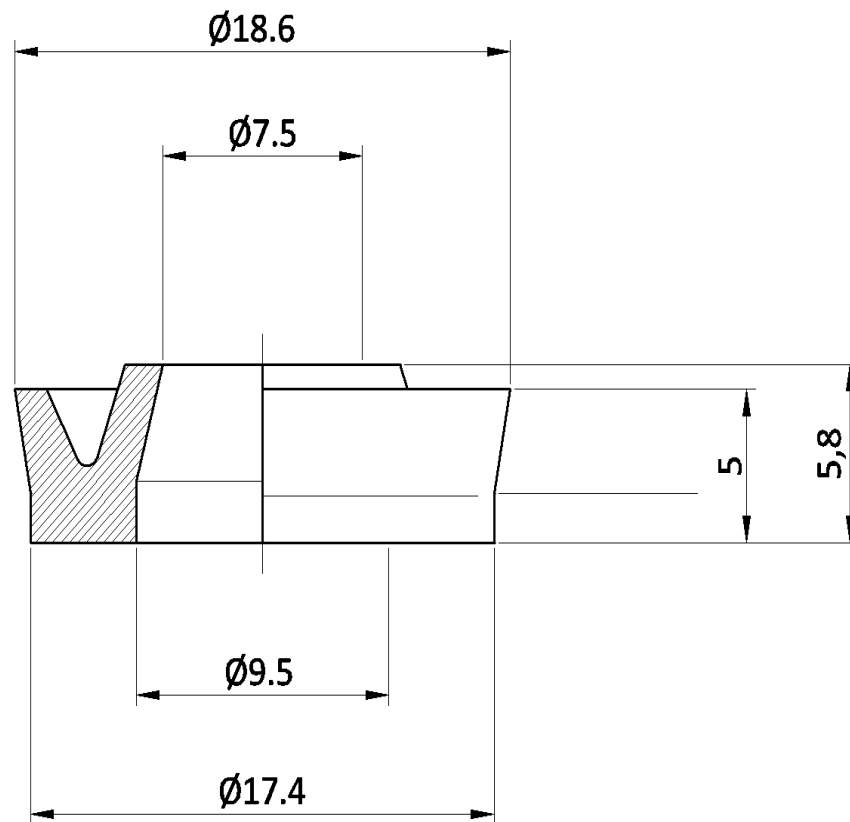
<< Back to all TYPES

5432



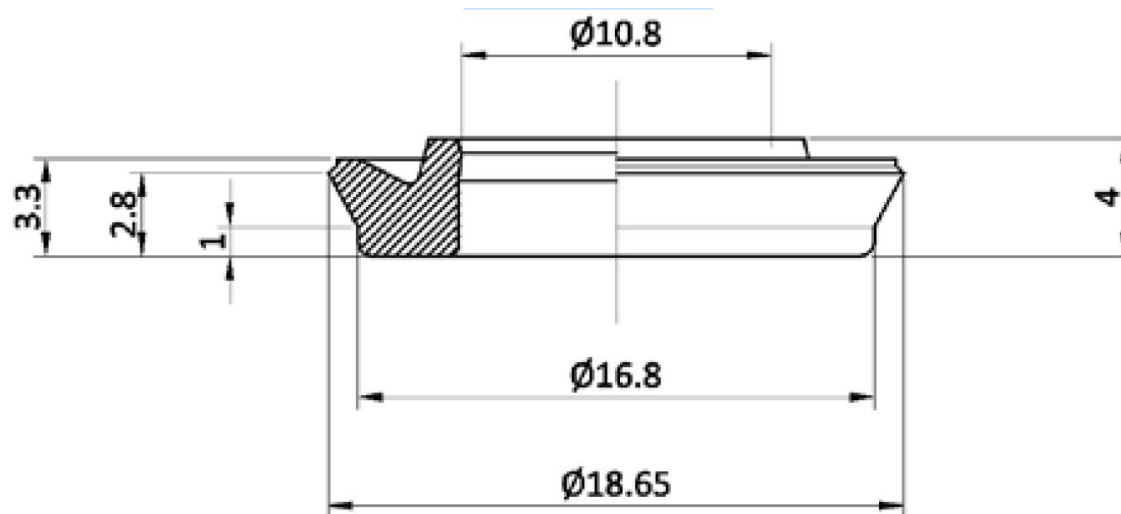
<< Back to all TYPES

5308



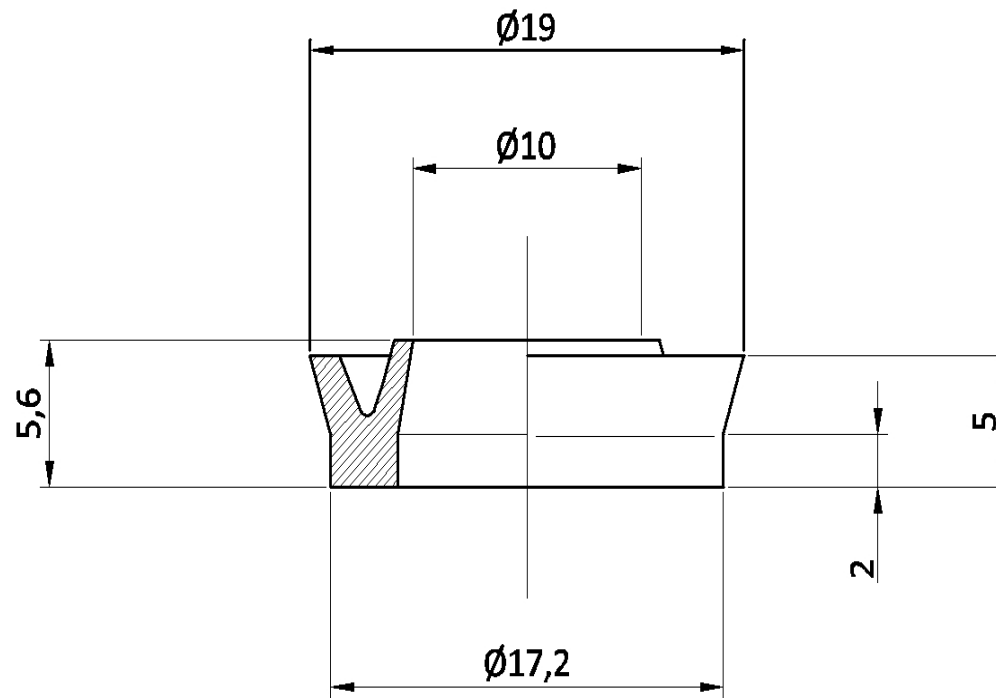
<< Back to all TYPES

5533



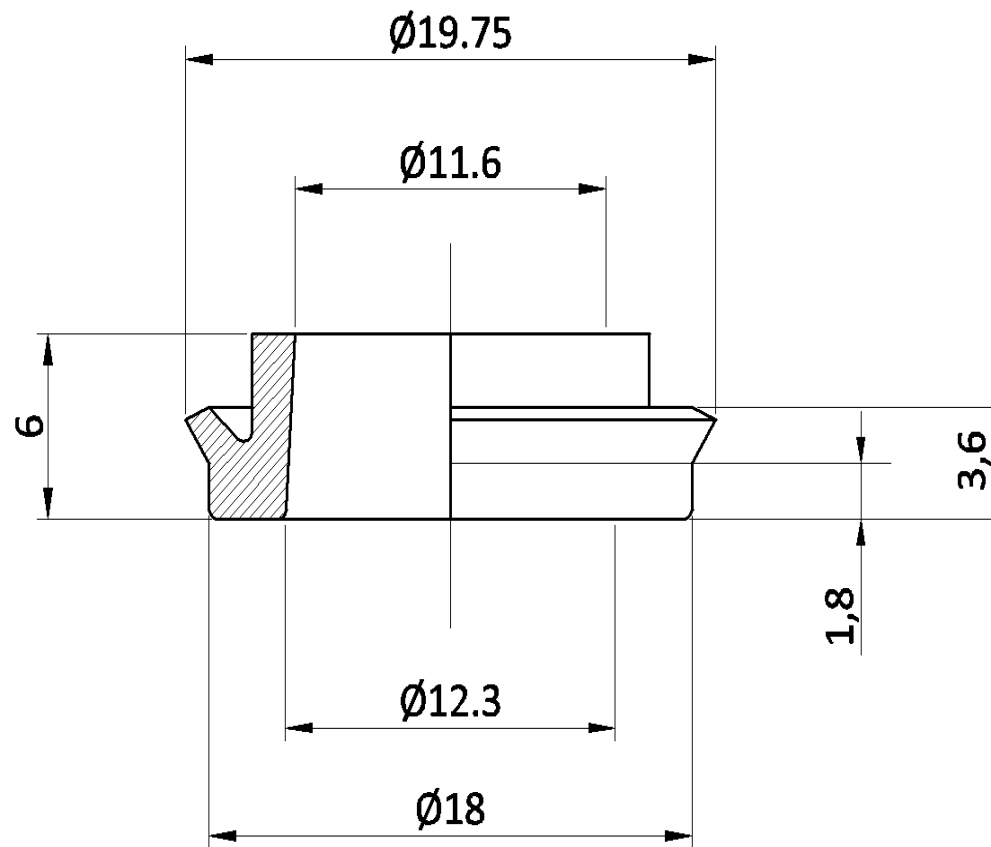
<< Back to all TYPES

5418



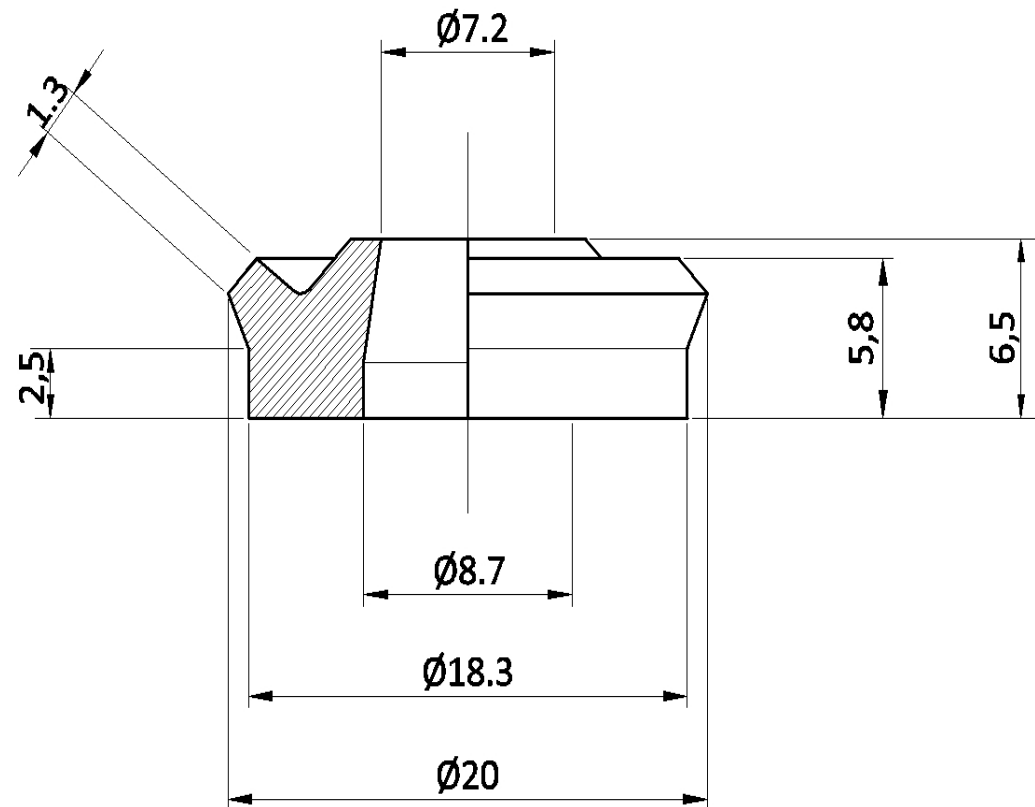
[<< Back to all TYPES](#)

5478



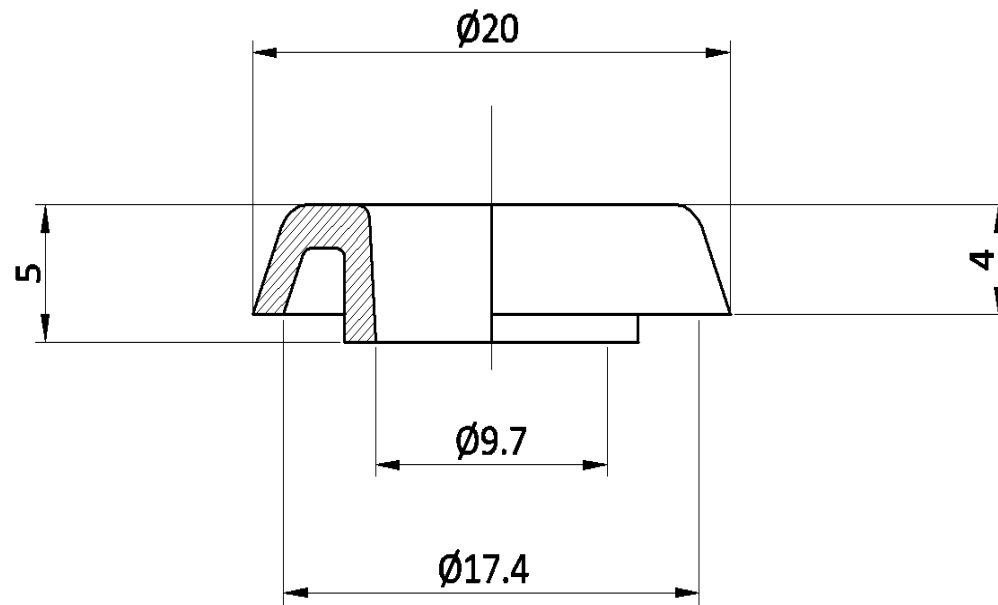
[<< Back to all TYPES](#)

5517



<< Back to all TYPES

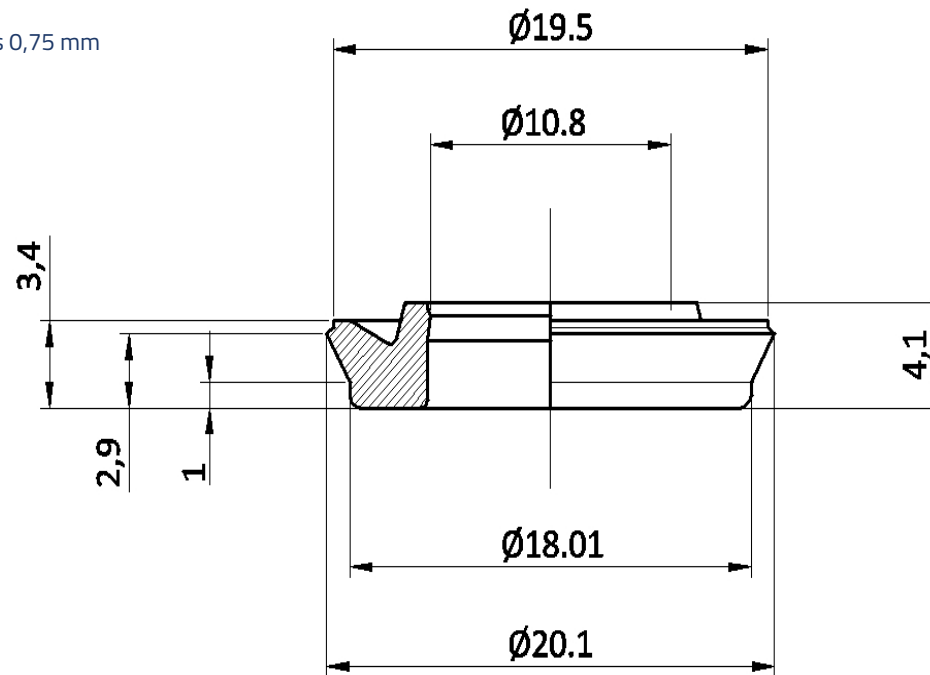
5523



[<< Back to all TYPES](#)

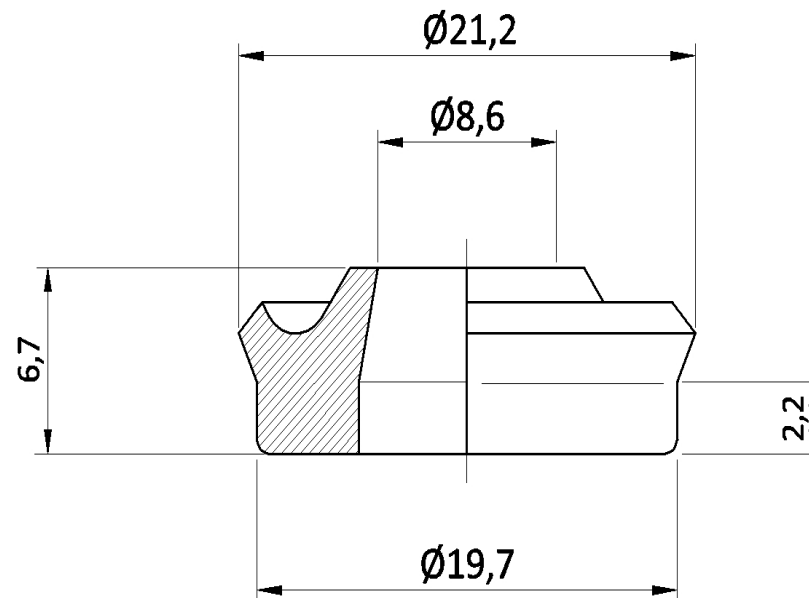
5532

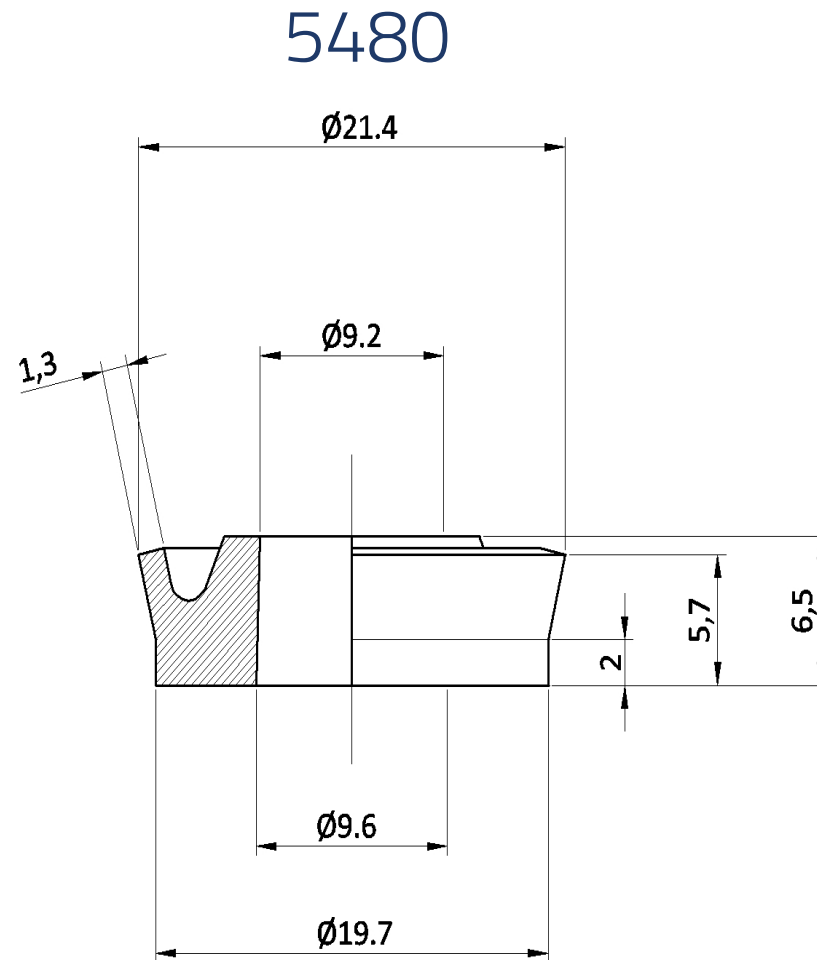
thickness 0,75 mm



<< Back to all TYPES

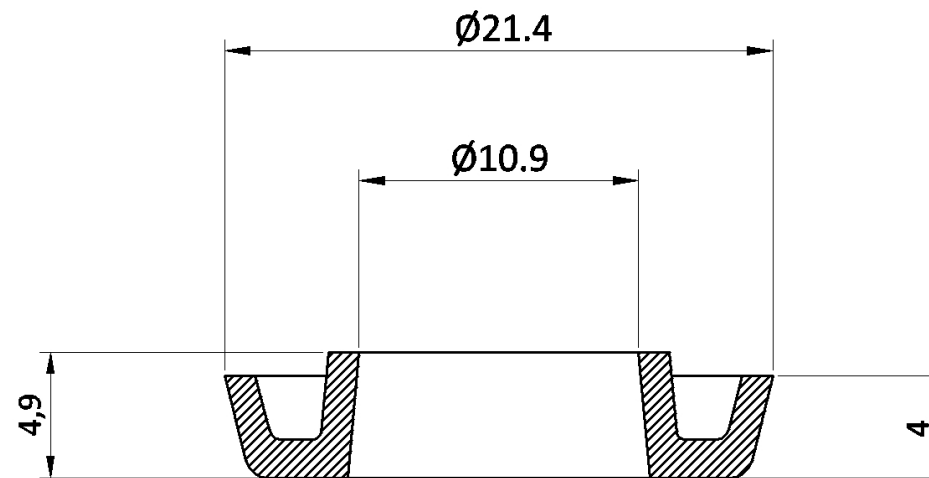
5448



[<< Back to all TYPES](#)

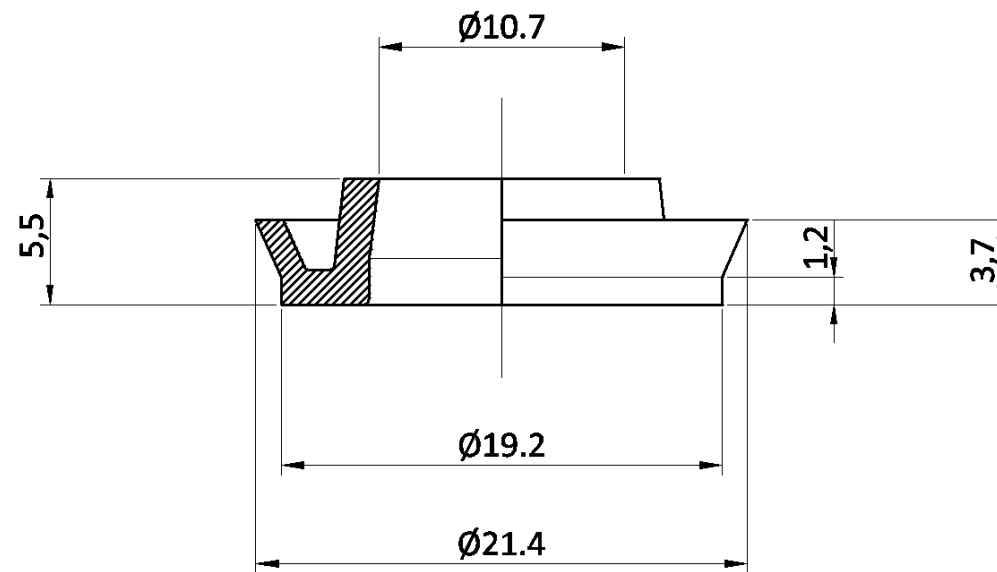
<< Back to all TYPES

5558



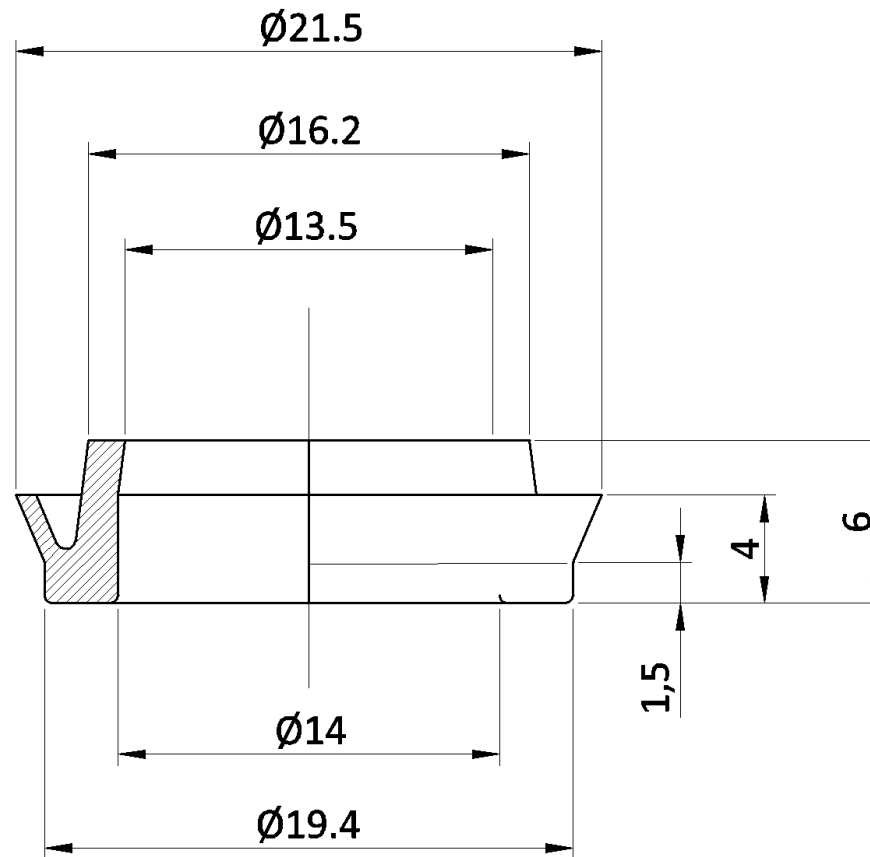
<< Back to all TYPES

5559



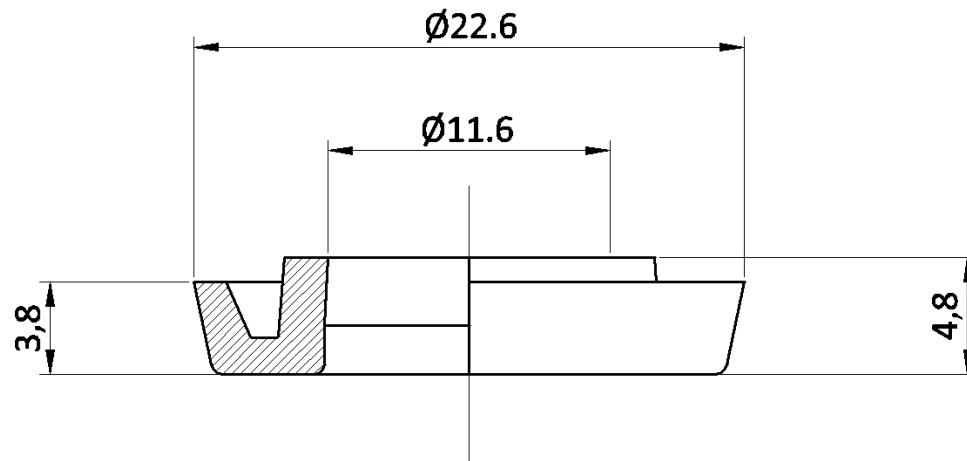
[<< Back to all TYPES](#)

5457



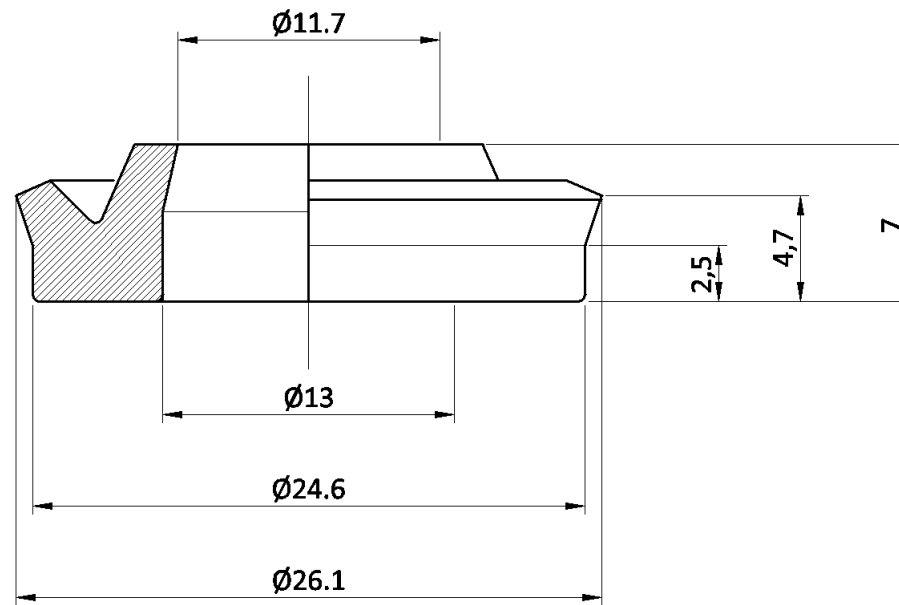
<< Back to all TYPES

5549



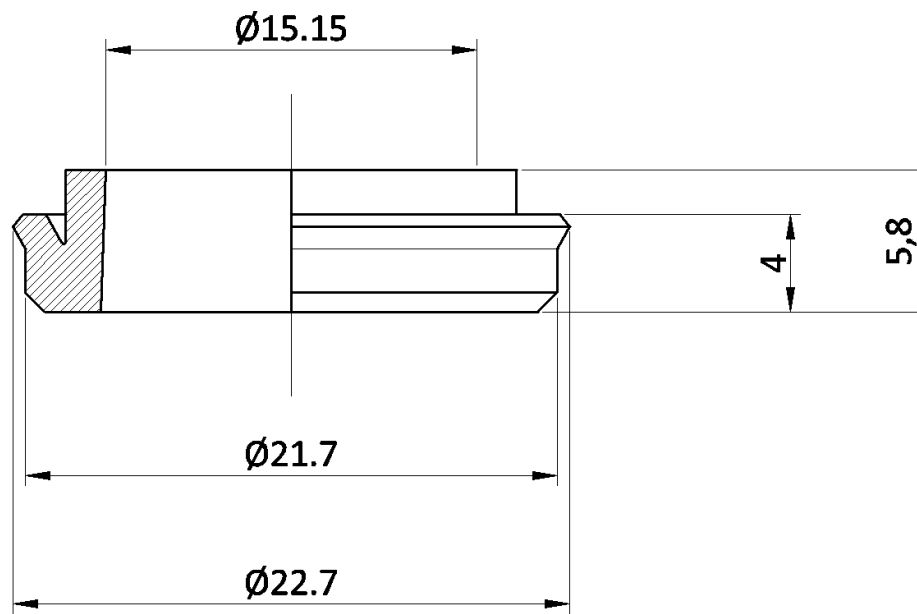
<< Back to all TYPES

5466



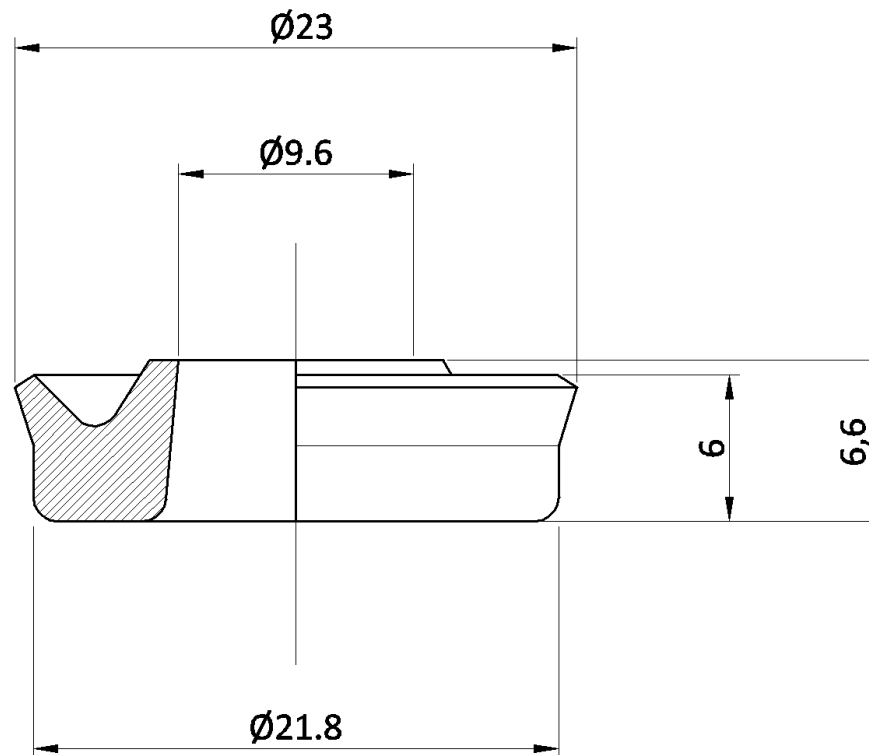
<< Back to all TYPES

5471



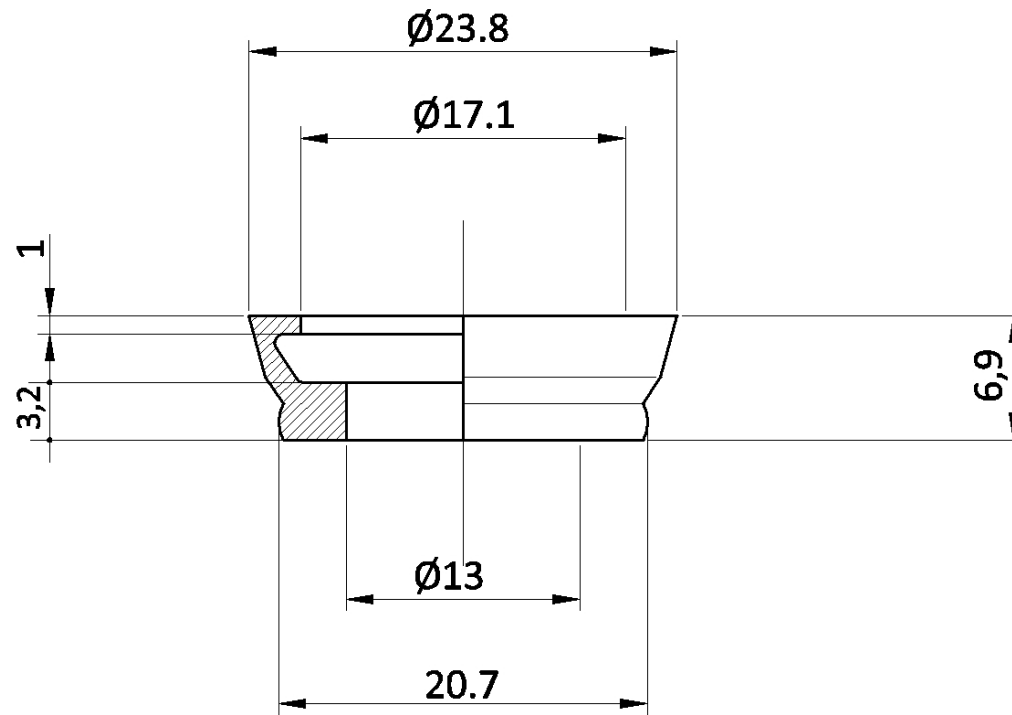
<< Back to all TYPES

5119



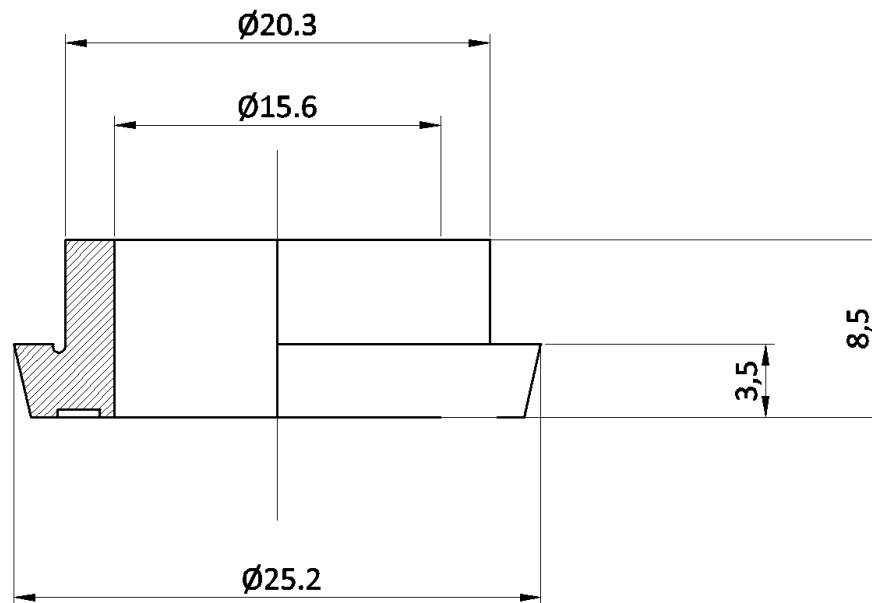
<< Back to all TYPES

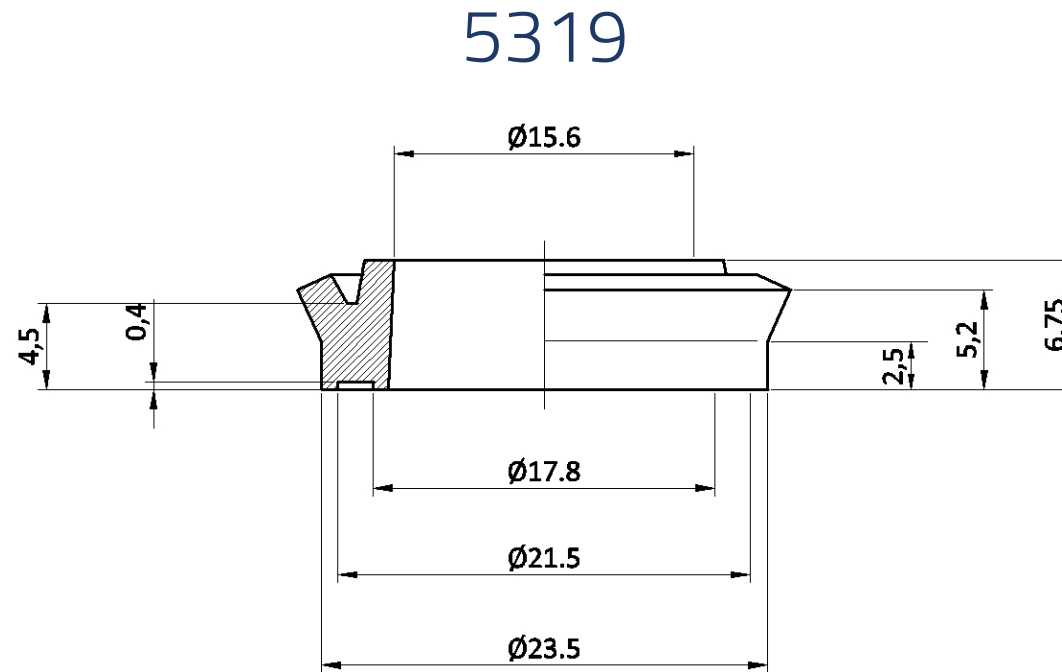
5020



<< Back to all TYPES

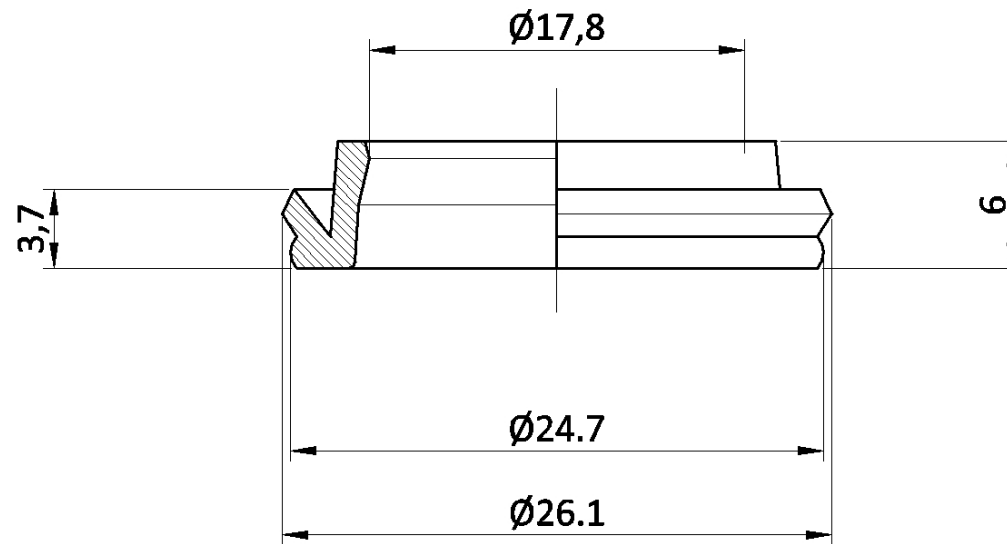
5118



[<< Back to all TYPES](#)

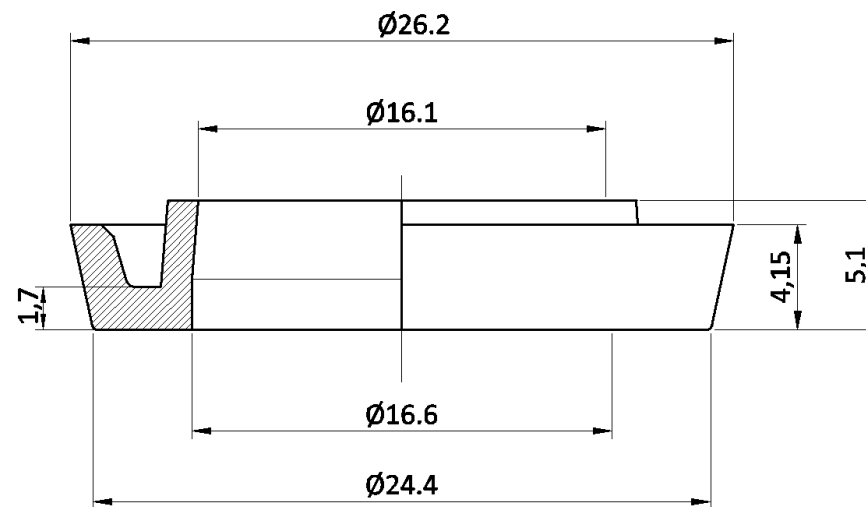
<< Back to all TYPES

5506



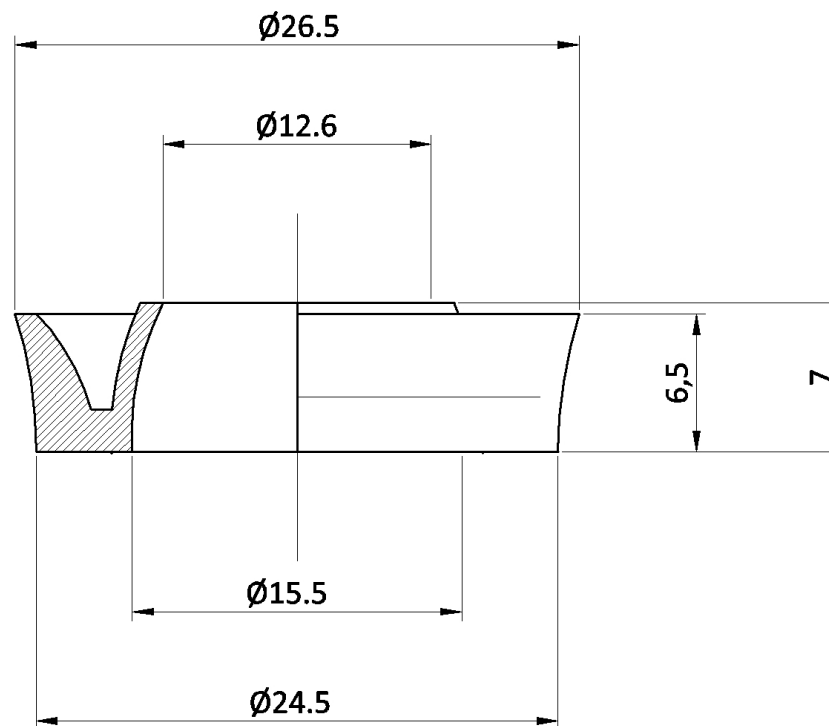
[<< Back to all TYPES](#)

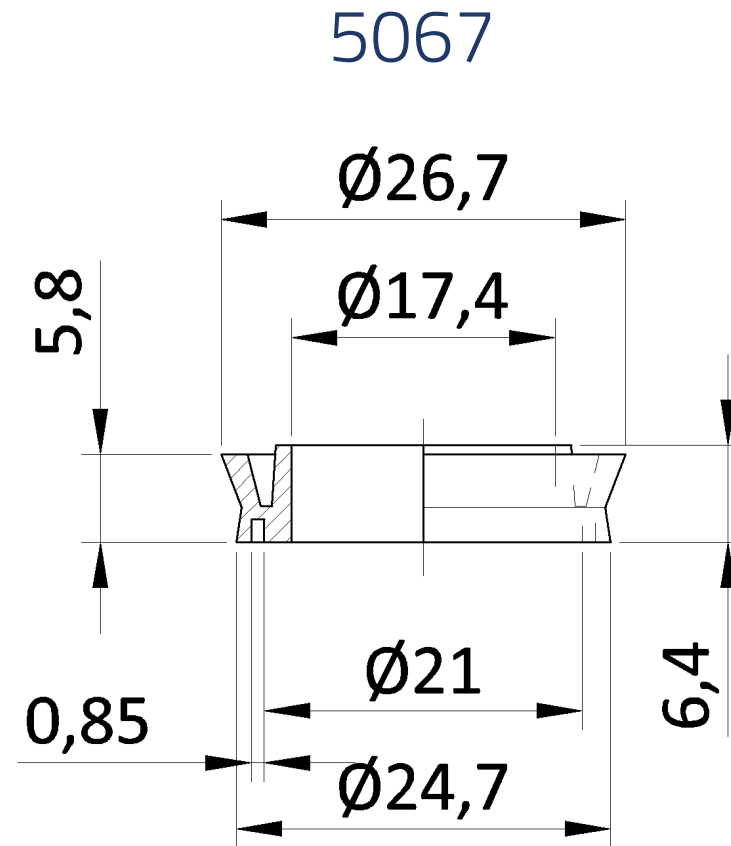
5497



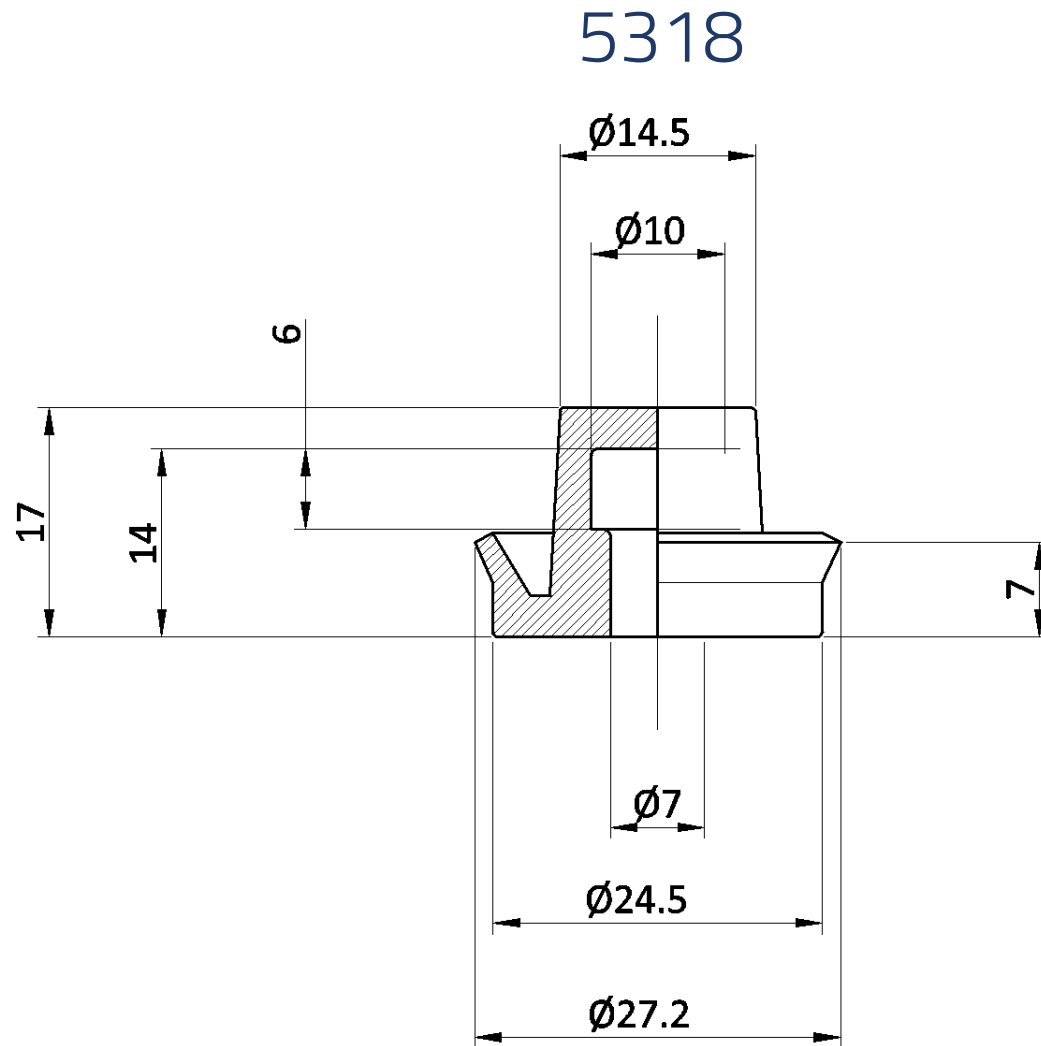
<< Back to all TYPES

5034



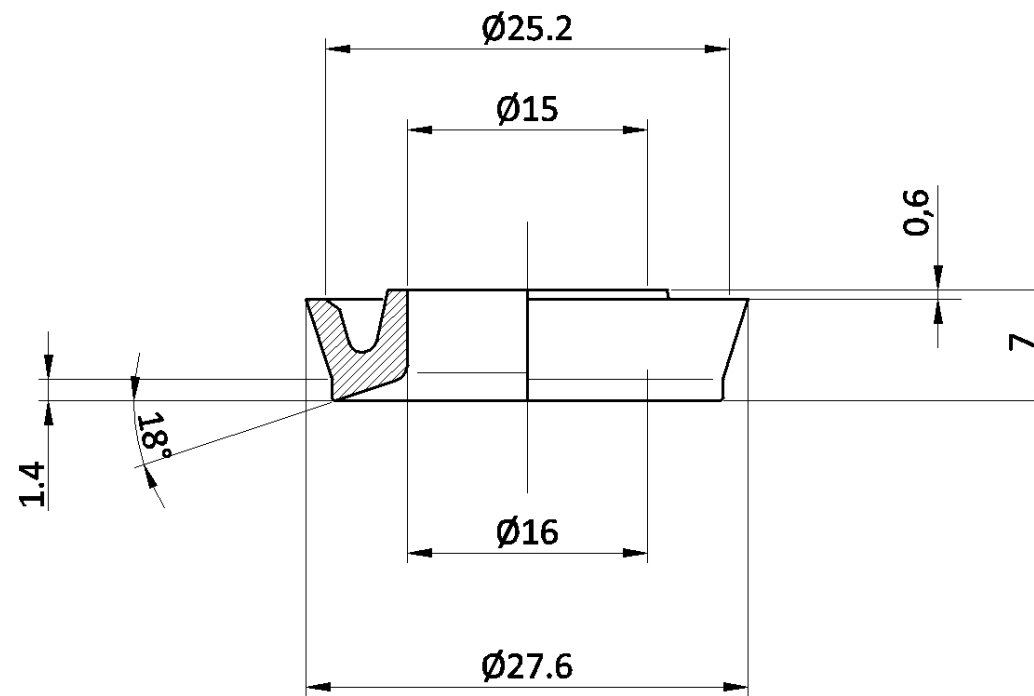
[<< Back to all TYPES](#)

<< Back to all TYPES



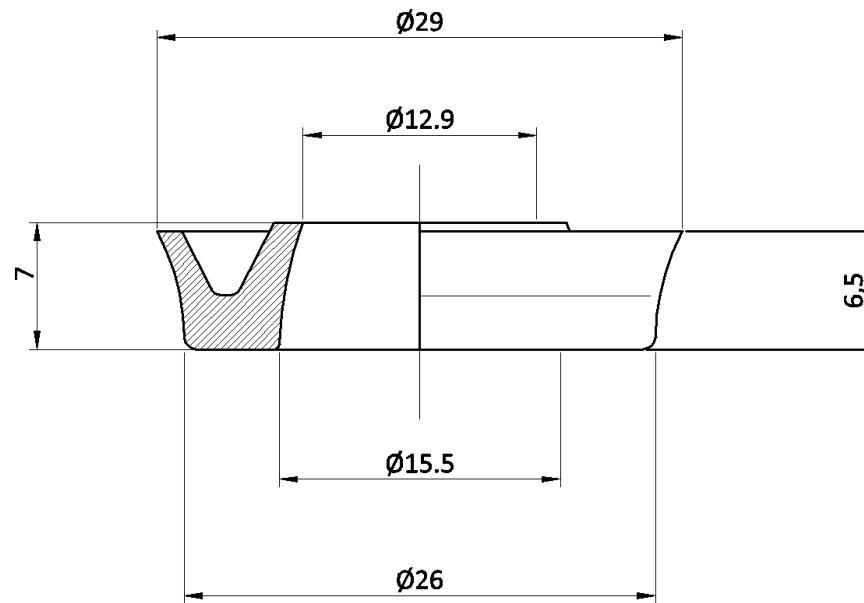
<< Back to all TYPES

5094



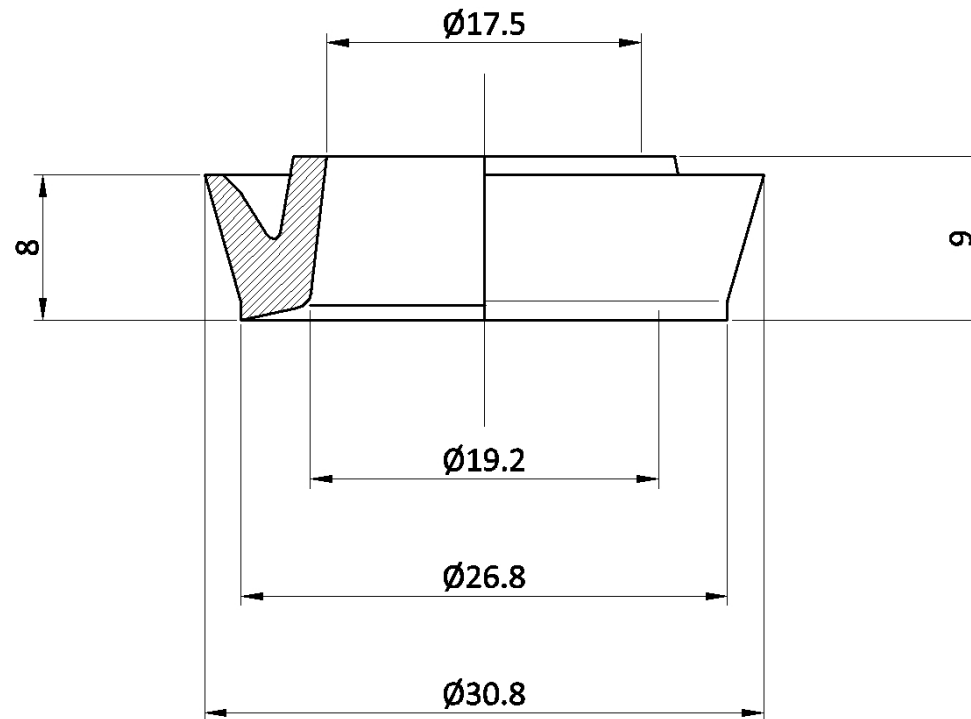
<< Back to all TYPES

5407



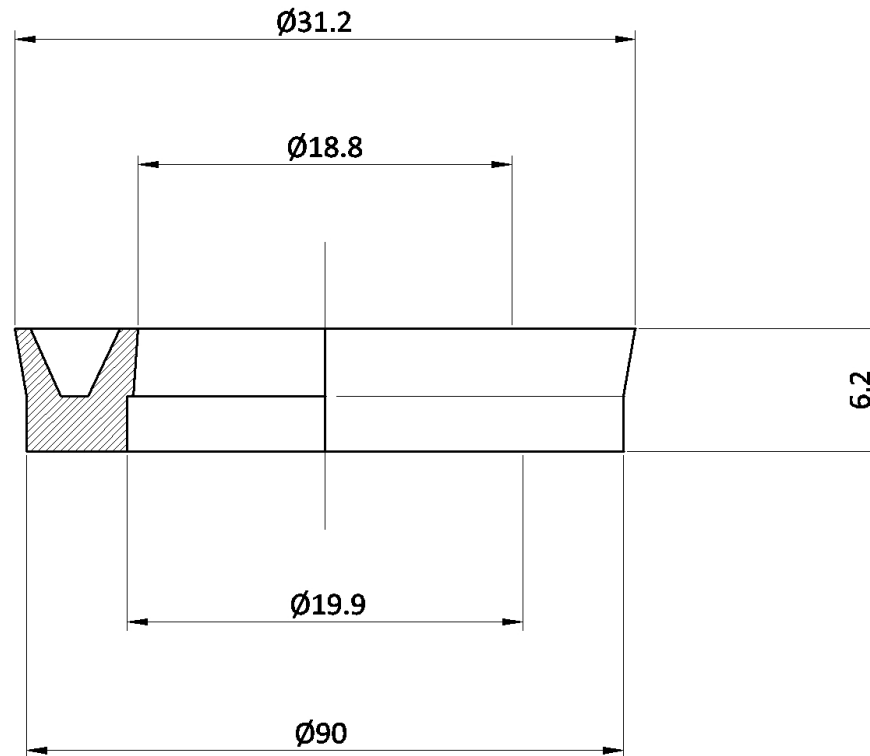
<< Back to all TYPES

5144



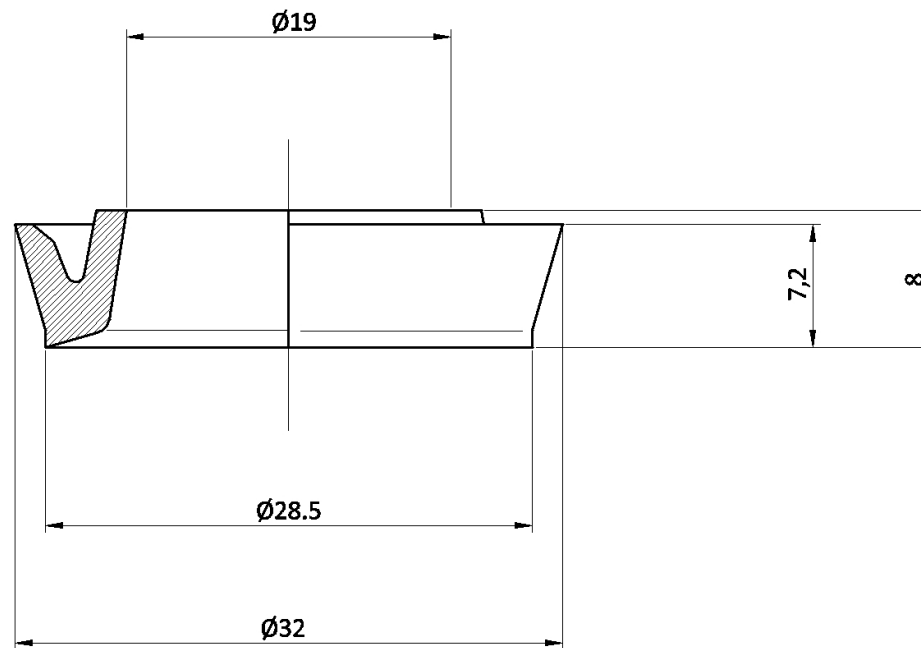
<< Back to all TYPES

5194



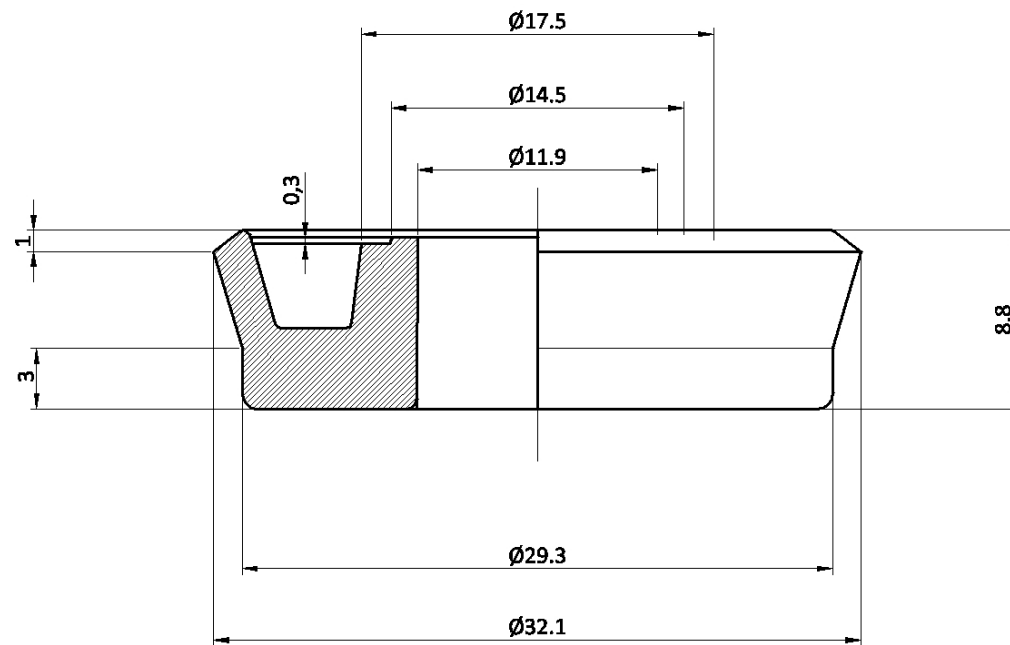
<< Back to all TYPES

5146



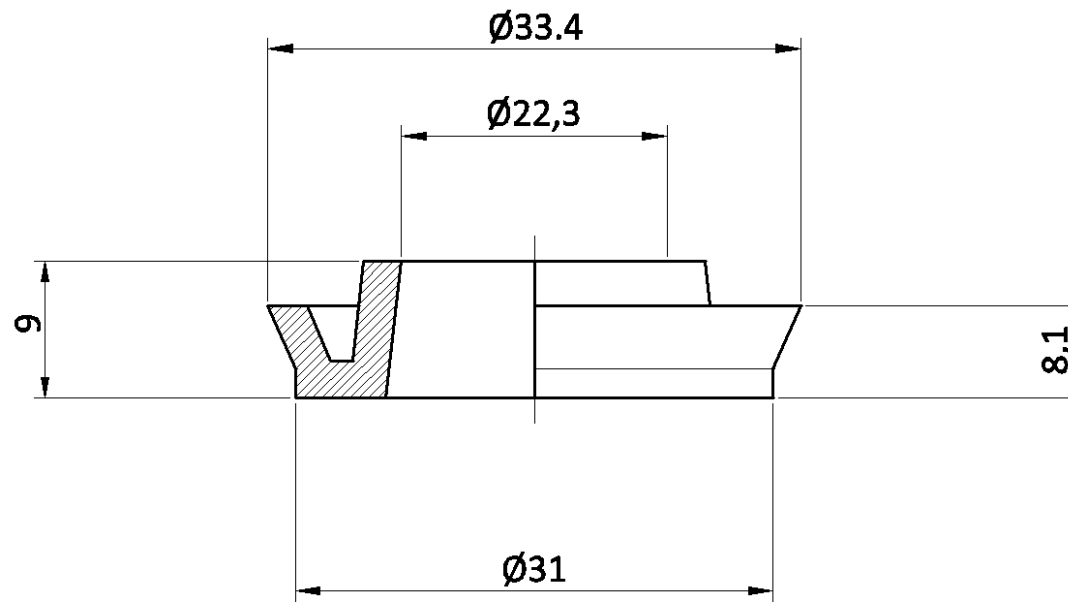
<< Back to all TYPES

5488



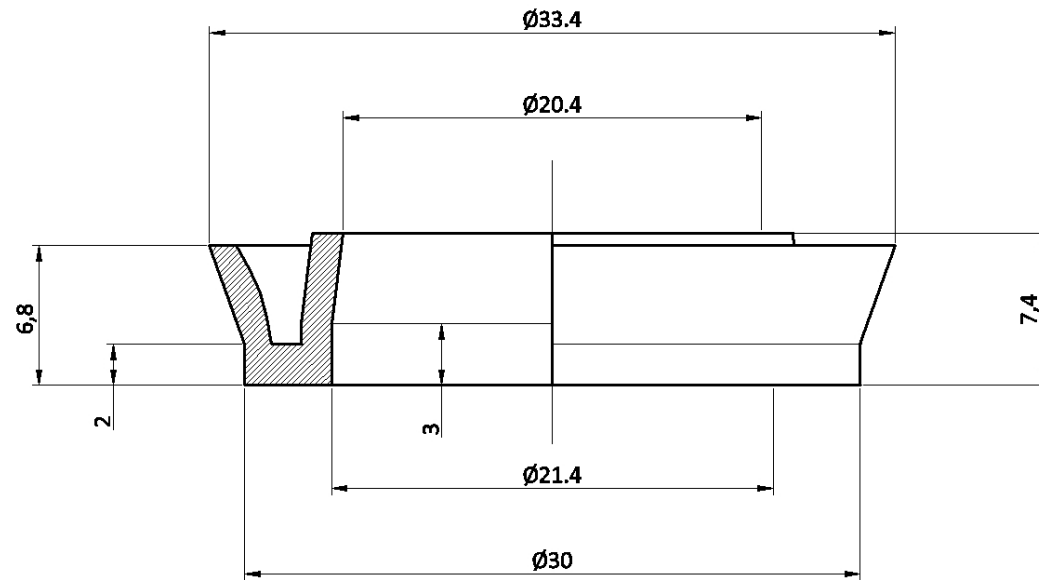
<< Back to all TYPES

5449



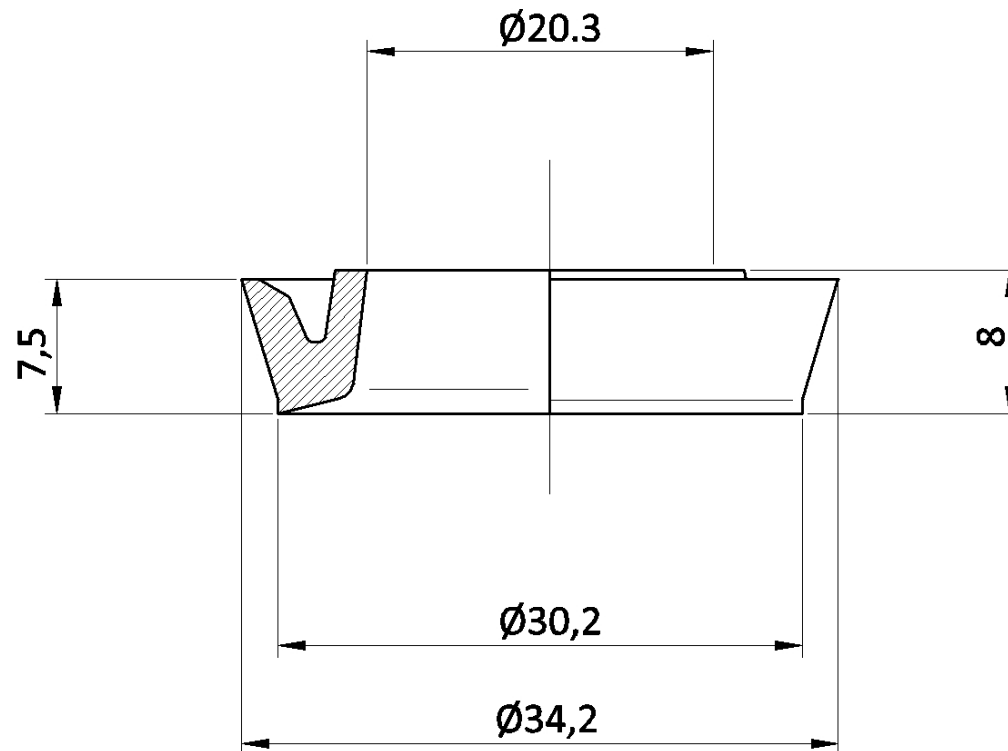
<< Back to all TYPES

5487



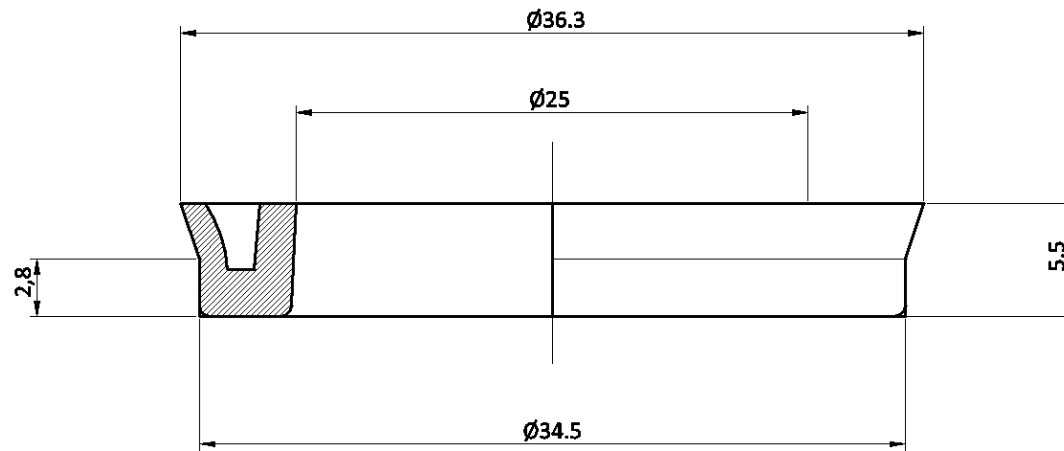
<< Back to all TYPES

5145



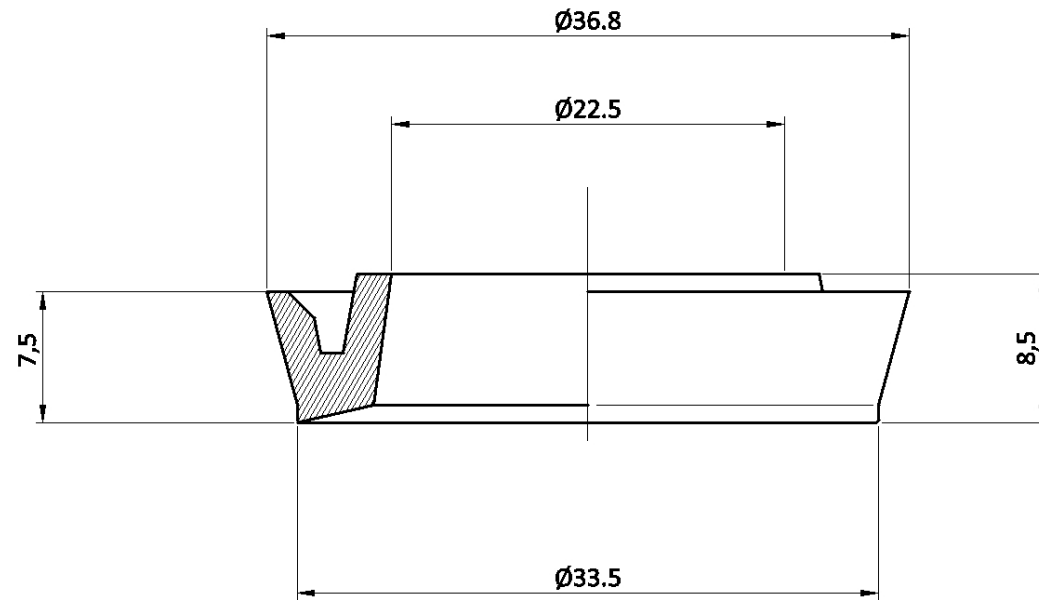
<< Back to all TYPES

5537



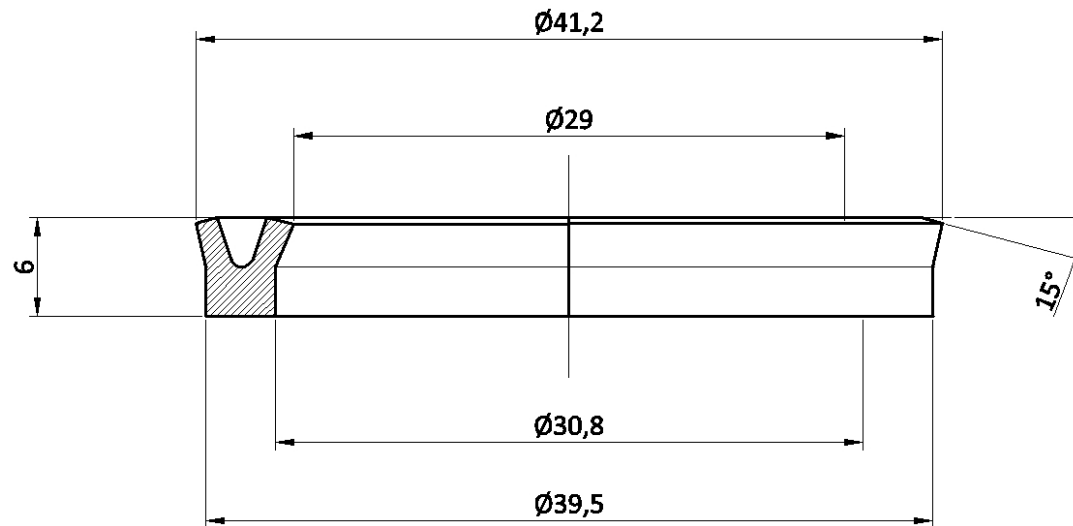
<< Back to all TYPES

5323



<< Back to all TYPES

5504



<< Back to all TYPES

5505

