



sapat

Production of rubber and silicone items since 1942

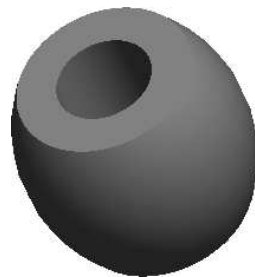
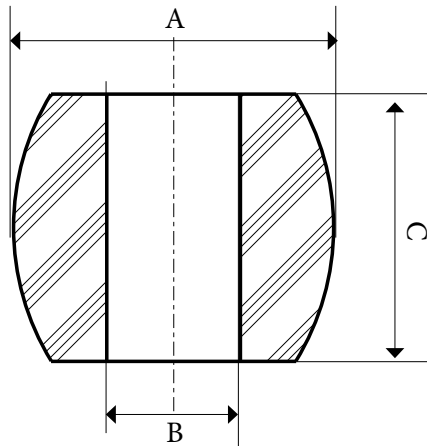
CATALOGUE 2024



Convex sleeves



See the **table** below in order of increasing values of External diameter ("A" size).



| A | B | C | SAPAT Code |
|------|------|------|------------|
| 30 | 12 | 32 | 7397 |
| 30 | 12 | 34 | 4582 |
| 32.5 | 22 | 21 | 7023 |
| 35 | 22 | 21 | 7012 |
| 40 | 25 | 22 | 7011 |
| 48 | 20 | 52 | 4219 |
| 49 | 24.5 | 35 | 4469 |
| 50 | 32 | 36 | 4512 |
| 54 | 27.5 | 40 | 4470 |
| 58.5 | 31.7 | 47 | 4475 |
| 60 | 25 | 65.2 | 7500 |
| 65 | 36 | 56 | 1605 |
| 69 | 34.5 | 52 | 4474 |
| 74 | 30 | 78 | 7500/1 |