



sapat

Production of rubber and silicone items since 1942

CATALOGUE 2024

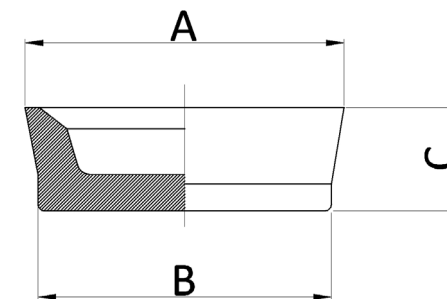
Cup seals



Cup seals

NOMINAL Ø		SAPAT Code	A	B	C
$\frac{9}{16}$ "	14,28	5174	Ø 15,4	Ø 13,7	6,5
$\frac{5}{8}$ "	15,87	5470	Ø 17,7	Ø 15,5	7,3
$\frac{11}{16}$ "	17,46	5469	Ø 19,1	Ø 16,8	7,1
$\frac{3}{4}$ "	19,05	5557	Ø 20,8	Ø 18,7	7,2
$\frac{13}{16}$ "	20,63	5529	Ø 21,8	Ø 20	8
$\frac{7}{8}$ "	22,22	5510	Ø 23,8	Ø 21,7	7,8
$1\frac{5}{16}$ "	23,81	5358	Ø 25,4	Ø 23,2	7,5
1 "	25,4	5541	Ø 26,7	Ø 24,8	8
$1\frac{1}{16}$ "	26,98	5312	Ø 28,5	Ø 26,5	7,6
$1\frac{3}{32}$ "	27,78	5491	Ø 29	Ø 27,2	8
$1\frac{1}{8}$ "	28,57	5336	Ø 30,4	Ø 28,2	7,8
$1\frac{3}{16}$ "	30,16	5442	Ø 31,6	Ø 29,7	8
$1\frac{1}{4}$ "	31,76	5316	Ø 33	Ø 31	8,2
$1\frac{5}{16}$ "	33,33	5290	Ø 34,4	Ø 32,6	7,5
$1\frac{3}{8}$ "	34,92	5014	Ø 36,5	Ø 34,1	8,2
$1\frac{1}{2}$ "	38,1	5121	Ø 39,5	Ø 37,8	8,3
$1\frac{5}{8}$ "	41,27	5165	Ø 42,5	Ø 40,7	9,7
$1\frac{3}{4}$ "	44,45	5012	Ø 46,6	Ø 42,9	10
2 "	50,8	5179	Ø 53,3	Ø 49,7	11
2 "	50,8	5022	Ø 53,5	Ø 49,9	10
$2\frac{1}{8}$ "	53,97	5023	Ø 57	Ø 52,8	9,5
$2\frac{7}{32}$ "	56,75	5024	Ø 59,1	Ø 56	11,8
$2\frac{1}{4}$ "	57,1	5025	Ø 60,8	Ø 56,1	11,8
$2\frac{1}{2}$ "	63,05	5026	Ø 66,3	Ø 62,3	11,8

Consult the table ordered by increasing values of the outer diameter (Measure "A").



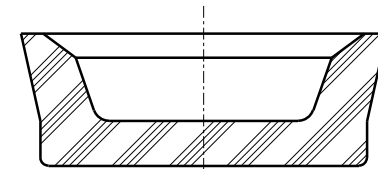
Discover DIFFERENT TYPES
of cup seals

[HERE](#)

TYPES OF CUP SEALS

Click on the SAPAT code or on the measure to view the quoted drawing.

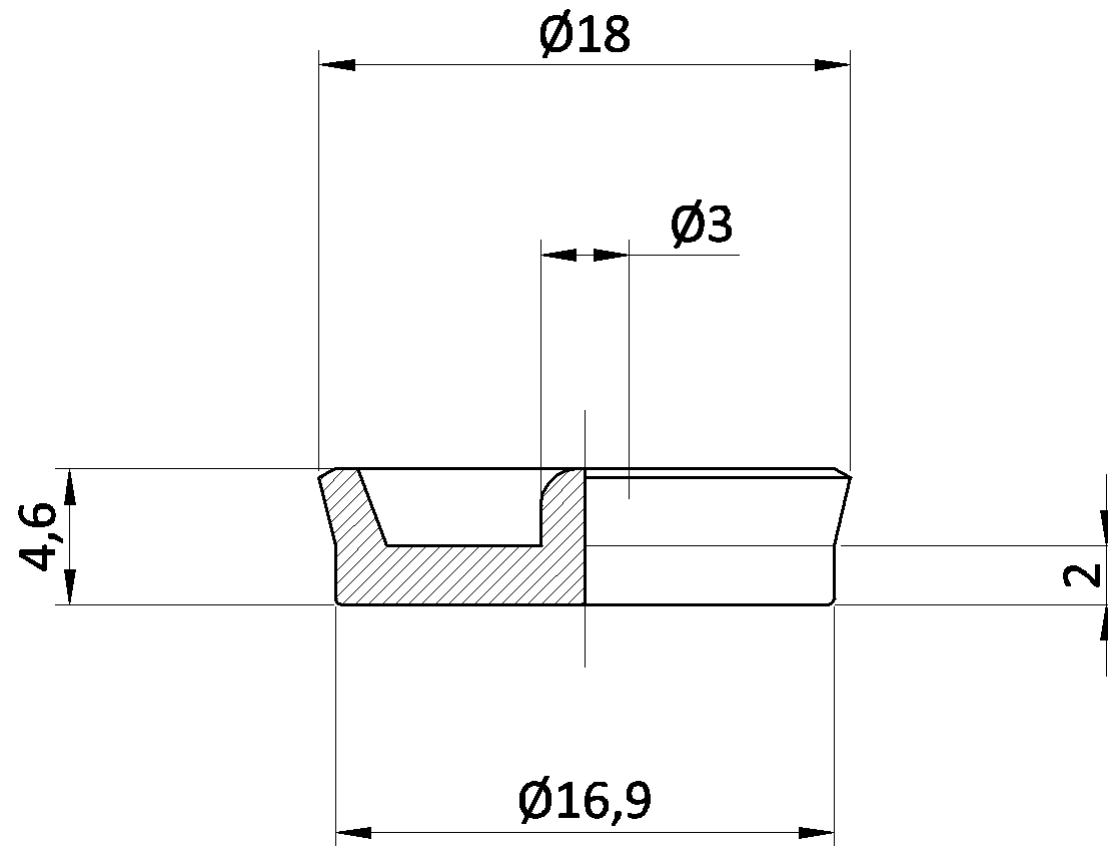
OUTER Ø	SAPAT Code
18	5356
19,8	5355
19,9	5153
20,2	5238
21,8	5156
23,3	5110
23,3	5124
26,5	5553
26,8	5525
30,4	5498
32,8	5289
45,6	5129
53,3	5043



Click on the first one in the list to browse all drawings.

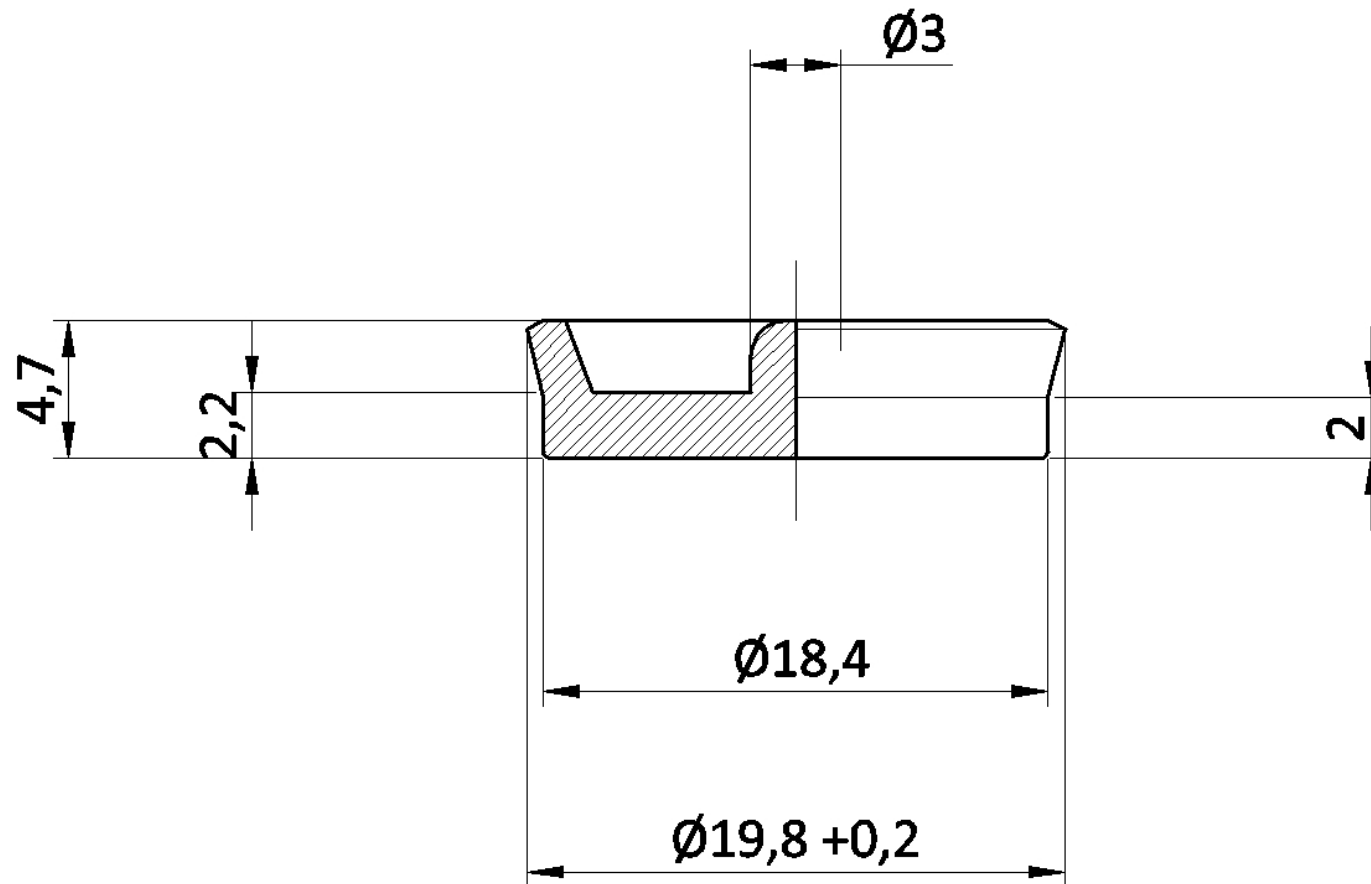
<< Back to all TYPES

5356



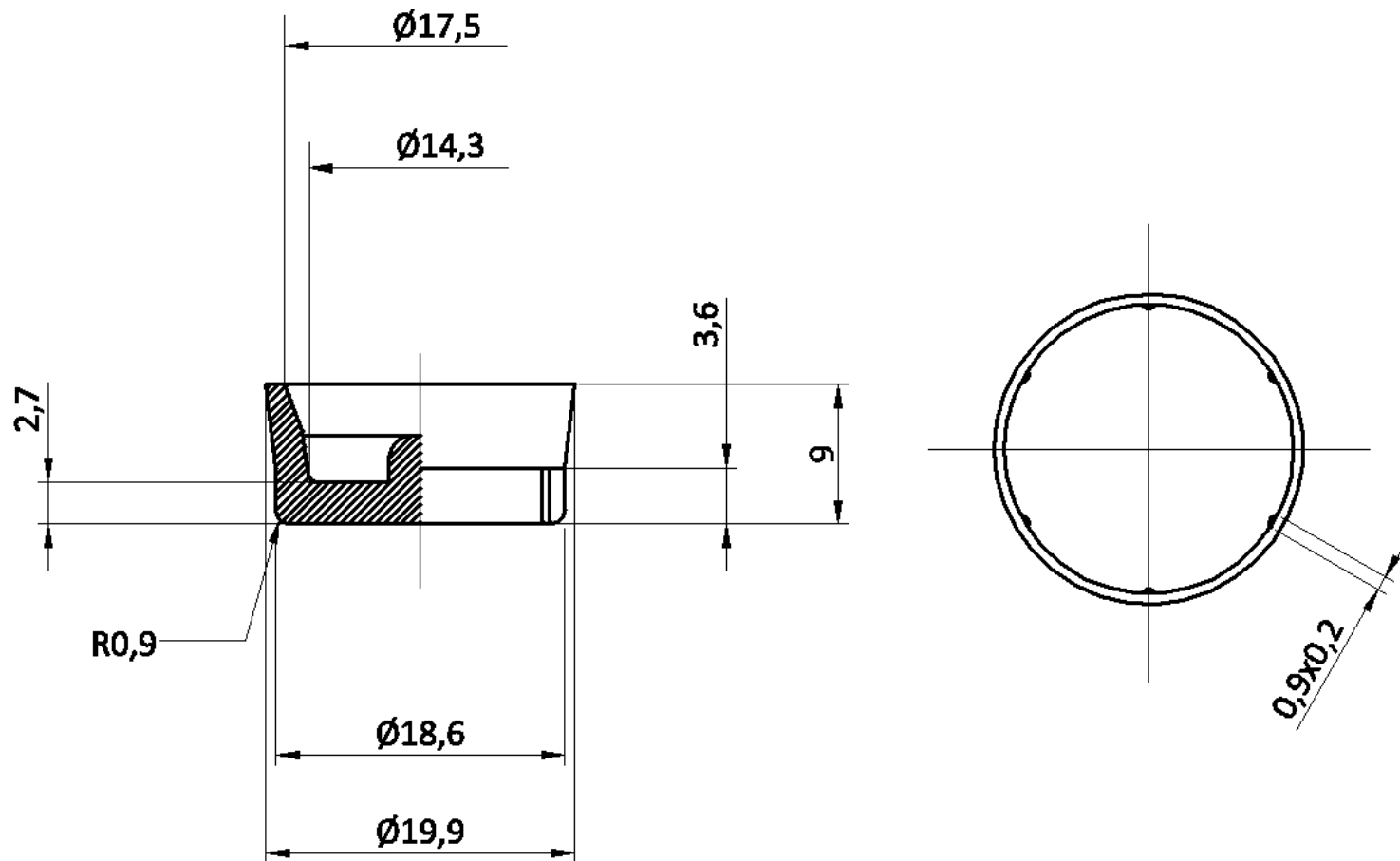
[<< Back to all TYPES](#)

5355



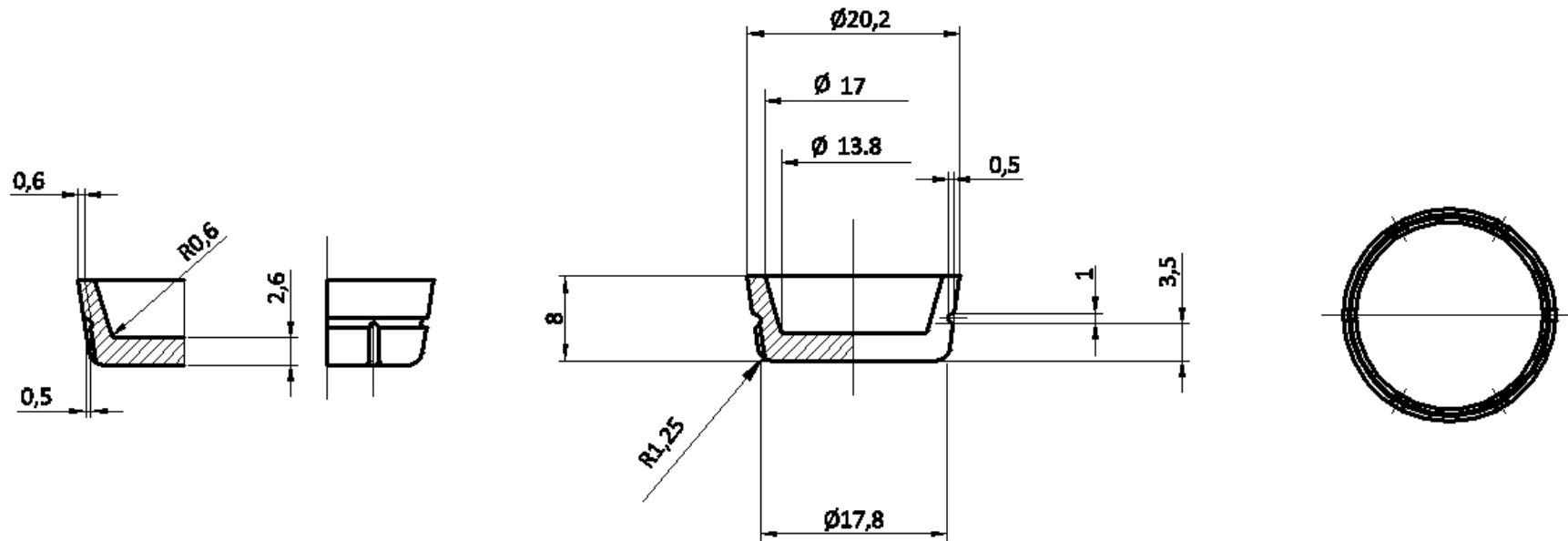
[<< Back to all TYPES](#)

5153



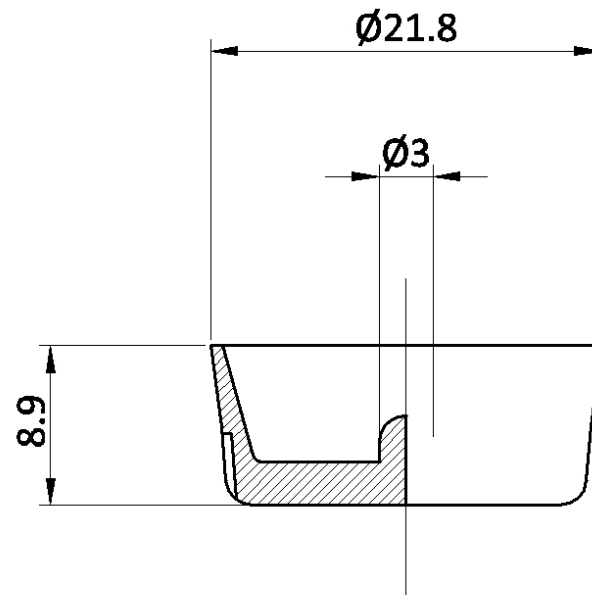
<< Back to all TYPES

5238



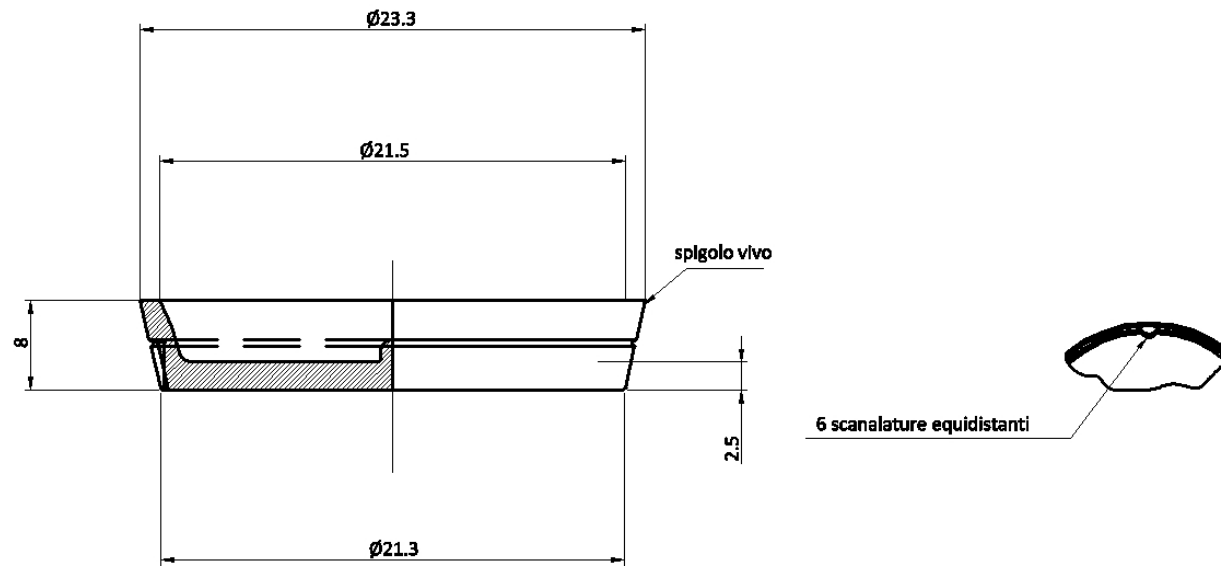
<< Back to all TYPES

5156



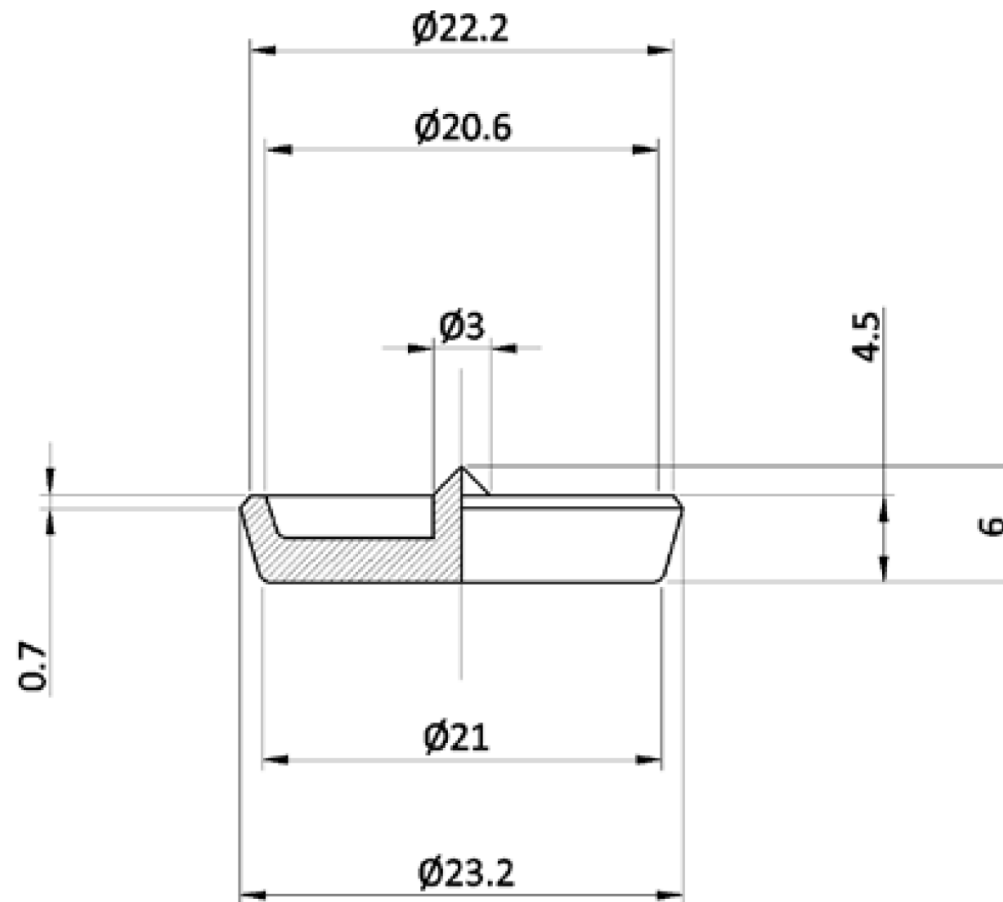
<< Back to all TYPES

5110



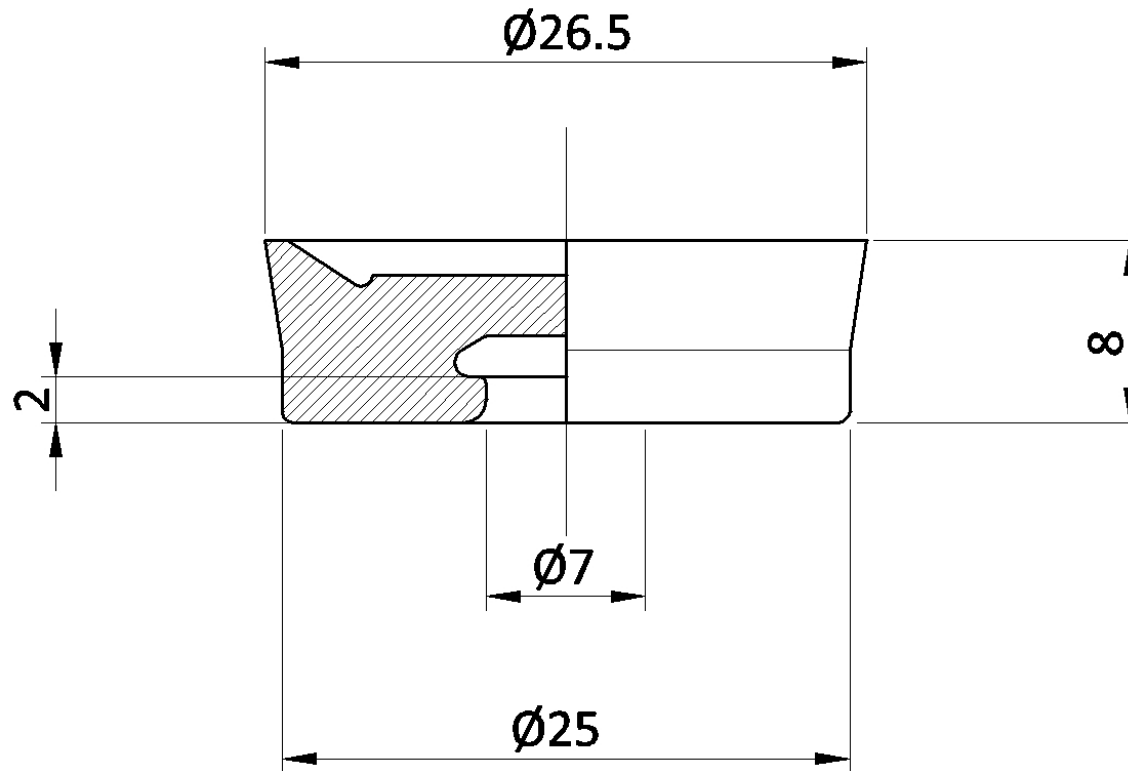
<< Back to all TYPES

5124



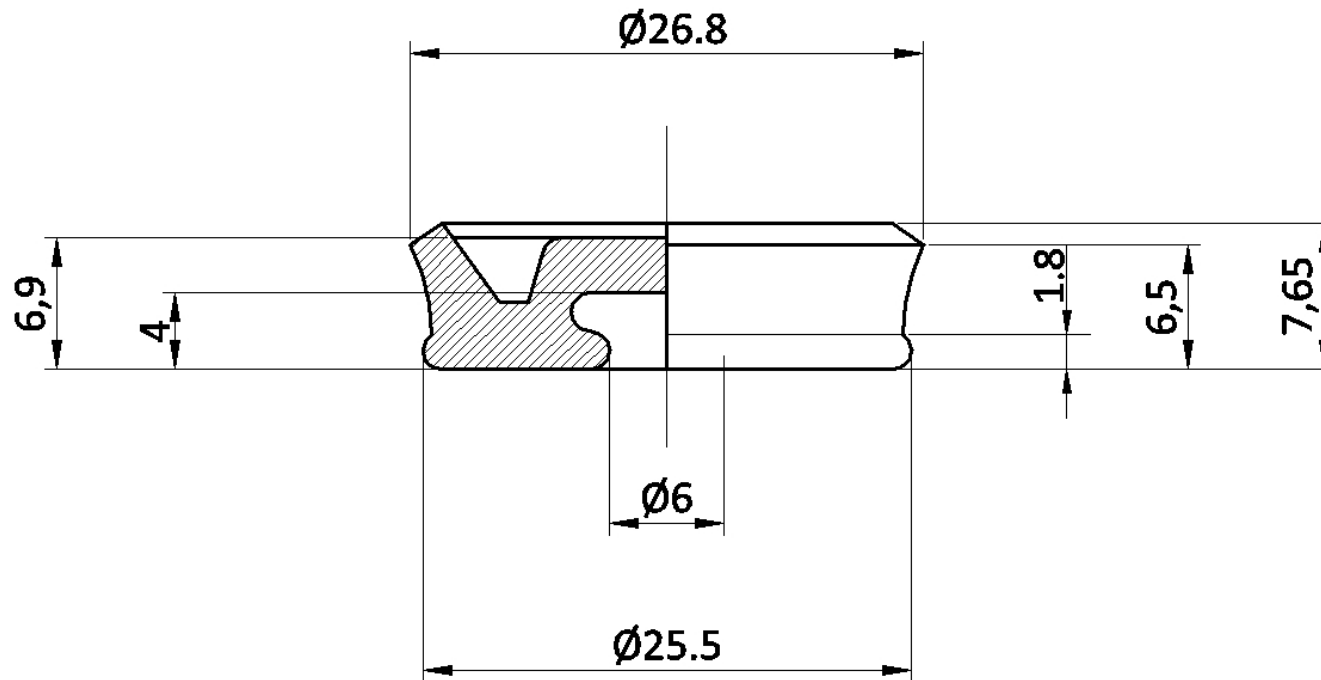
<< Back to all TYPES

5553



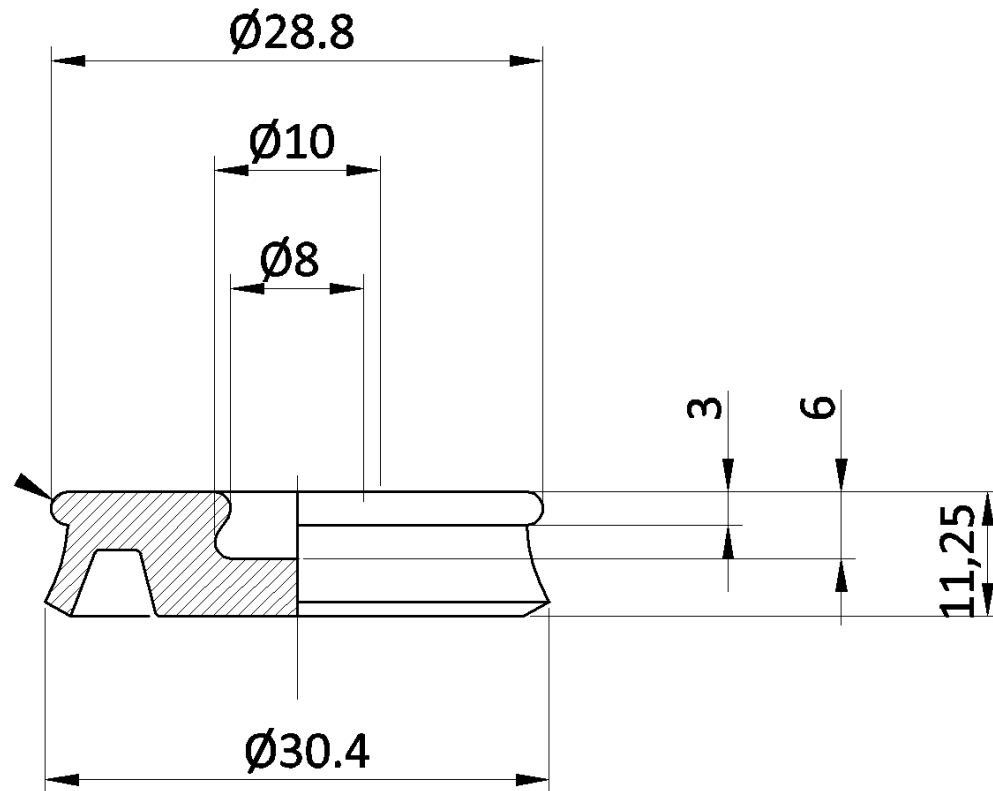
<< Back to all TYPES

5525



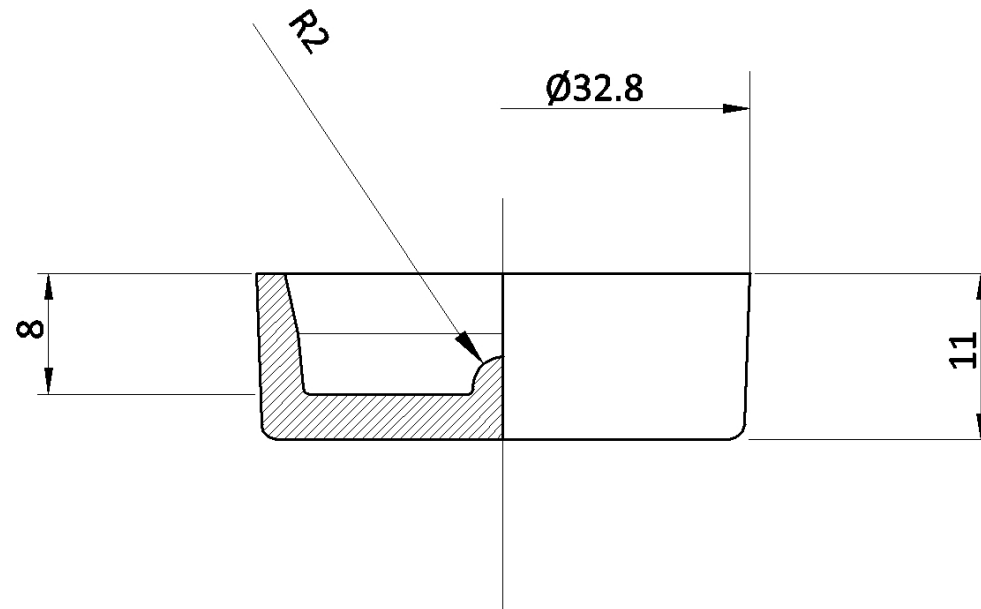
<< Back to all TYPES

5498



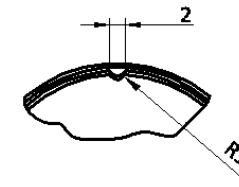
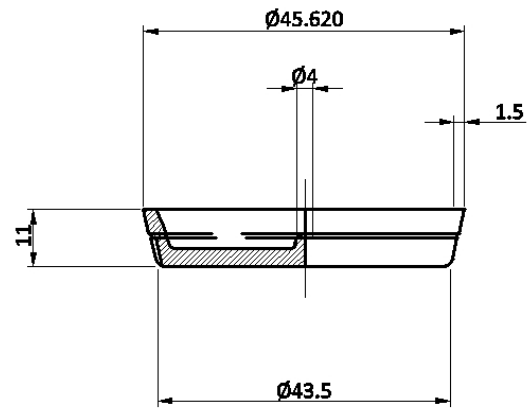
<< Back to all TYPES

5289

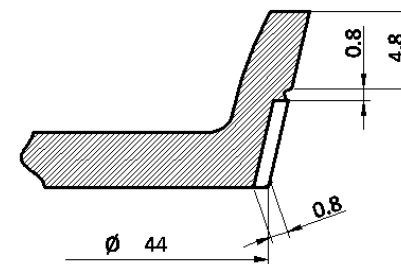
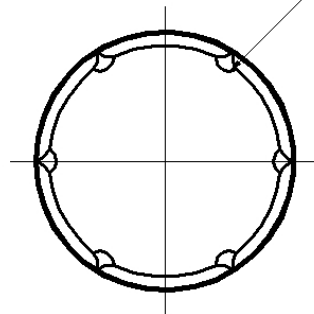


<< Back to all TYPES

5129



6 scanalature equidistanti



<< Back to all TYPES

5043

