



sapat

Production of rubber and silicone items since 1942

CATALOGUE 2024

Grommets



Click on the intended **type** to access the cards.

Holed Grommets

Cable Grommet

Oval Grommets

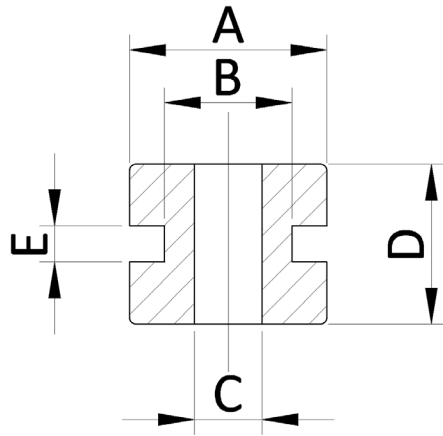
Other Grommets

<< Back to all TYPES

The following tables are ordered by increasing value of the outer diameter.

1/7

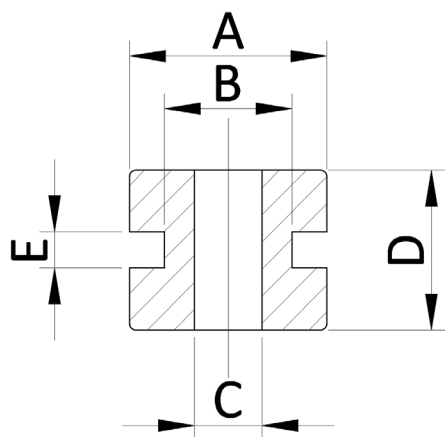
HOLED Grommets



A	B	C	D	E	Note	SAPAT Code
7	4.5	1.8	6	1.2		7221
8	5	3	5	1		4717
9	6	4.5	6	3	Squared	4735
9	6	4	5	1		7311
10	7	5.5	4	1		3667
10	7	4	12	8		2308
10	7	4	5.5	1.5		3774
10	7	5	6.5	2.5		4994
10	7	5	6	2		2234
10	7	4	6	3		3798
10.5	7	4	6	1		7296
11.5	9	3 (2 holes)	5.5	2		4140/1
12	8	5	5	1.5		3799
12	8	5	6	3		7370
12	8	5	8	3		4028
12	9	7	6	2		4715
13	9.5	5.3	7	2		7261
13	9.5	7	5.5	1.5		7264
13	9	6	6	1.5		7355
12.5	9	5.6	7.5	2.6		1639
13	11	9	5.5	4		4140
13.5	9.8	5.6	9	3		7251
13.5	9	4	7.1	1.5		4000
14	10	6	8	2		866
14	10	7	5.5	1.5		782
15	10	5	9.5	4.5		4357

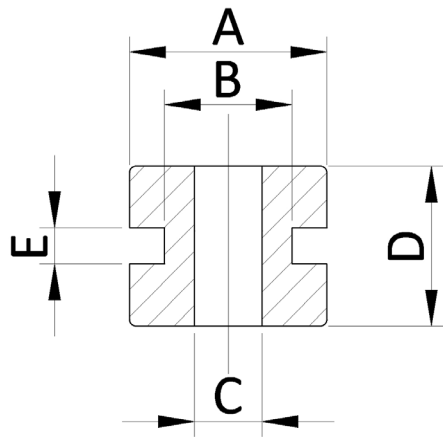


HOLED Grommets



A	B	C	D	E	SAPAT Code
15	10	7	7	3	7154
16	10	5.8	10	2	3719
16	10	6	7	1	7263
16	10	6	8	1.5	7418
16	10	7	6.5	1	2615
16	11	6	8	2	3933
16	12	3 (2 fori)	5	1	7008
16	13	10	5	1	3554
17	9	5	10	2	4969
18	11	6.8	12	6	3220
18	12	6	8.5	2	7377
18	12	8.5	6	1.5	7371
18	12	8	10	3	3256
18	12	8	8	3	3857
18	12	9	10	2	785
18	12	9	12	5	4767
18	12	9	5.5	1.5	7244
18	12	10	11	5	3502
18	13	9	12	3.5	7236
18	14	5	5	1.5	1968
18	14	5	8	4	1967
18	14	6	12	8	2530
18	14	8	7.5	1.5	7245
18	14	10	5	1.5	2320
18	14	10	7	1.5	2881

HOLED Grommets



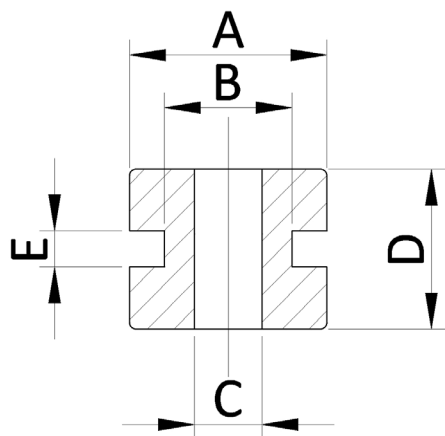
A	B	C	D	E	SAPAT Code
18	14	10	7	2	7266
18	14	10	10	2	4122
18	14	8	7	3	3297
18	14	8	7.5	2.5	7262
18	15.5	8	16	9.5	2576
18.5	16	7	13	2	4155
19	14	9	11	4.5	3773
19	14	9	11	6	7292
20	12	3	26	-	2474
20	14	9	11.5	1.5	7410
20	15	10	5	1	3605
20	15	12	7.5	1.5	4232
20	16	9	16	10	2509
20	16	10	11	5	7437
20	16	12	7	2.5	4761
20	16	12	2.5	0.5	2048
20	16	12	5.5	1.5	2434
20	16	12	6.5	2.5	2049
20	16	12	6.5	2.5	4407
20.7	16.7	11.2	11	2.2	7516
21	14	12	8	2	3564
21	15	9	14	8	2133
21	16.6	11.7	14.6	3.1	7596
22	15	8	8	3	4551
22	15	12	8	3	4550



<< Back to all TYPES

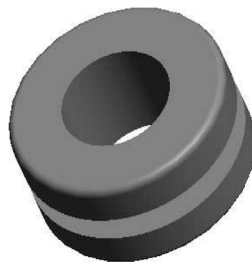
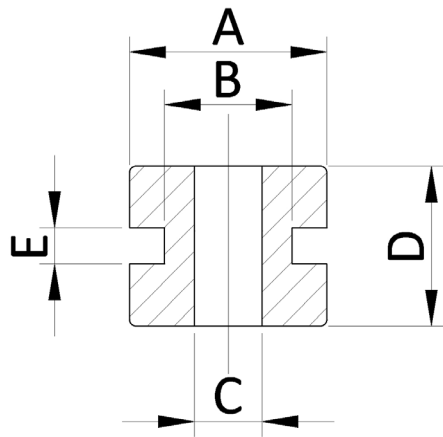
4/7

HOLED Grommets



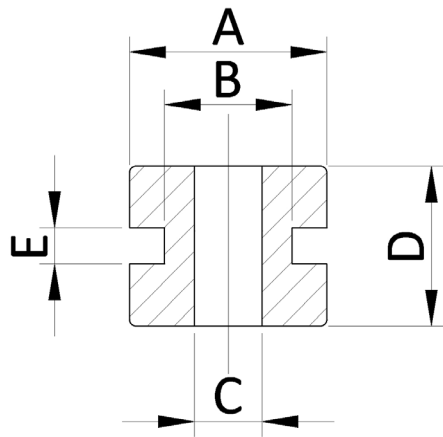
A	B	C	D	E	SAPAT Code
22	15.5	9	14	5	4861
22	16	8	18.5	10.5	3647
22	16	10	6	2	2441
22	16	10	8	1.5	3776
22	16	10	8	2	1418
22	16	10	9	4	4979
22	16	10	10	3	1638
22	16	10	10	4	2511
22	16	12	14	8	3995
22	16	12	17	11	2087
22	17	13	8	1.5	2911
22.5	15	10.5	7.5	1.5	4942
23	16.2	12	9	2	7443
23	18	12	12	6	7163
24	18	12	10	3	7285
24	18	12	10	2.5	4431
24	18	12	8	1.5	3840
24	19	9	12	3.5	7444
24	19	14	10	2.2	7238
24	20	16	5.5	1.5	2437
24	20	18	10	3.5	4826
25	16.2	9.2	14.7	3.6	7465
25	18	12	11	2	7423
25	19	13	13	7	2795
25	20	15	8	2	1516

HOLED Grommets



A	B	C	D	E	SAPAT Code
25	20.5	10	12	1.6	7576
26	18	8	15	4	3086
26	20	17	10	2	7239
26	18	10	26	20	7525
27	19	9	13.5	5	7532
27	20	14	10	3	3858
27	20	14	8	1.5	7283
28	20	9.5	7.5	1.5	7356
28	22	14	6.5	2.5	1987
28	22	18	14 ⁽⁸⁺²⁺⁴⁾	2	783
28	23	18	19	1.5	2569
28	23	19	12	4	4968
28	25	20	5.5	1.5	2438
28.8	24.8	14	16	3	5409
29	22	16	10	3	7171
29	22	16	8	1.5	3548
30	24	16	10	3	7016
30	25	20	10	4	1966
30	25	20	8.5	2.5	2212
32	27	22	9	1.5	2699
32	28	24	8	1	3325
33	25	18	10	1.5	3801
33	25	18	12	3	3777
34	25	9.5	16	-	4825
35	27	19	15	8	826
35	30	25	8.5	2.5	4946

HOLED Grommets



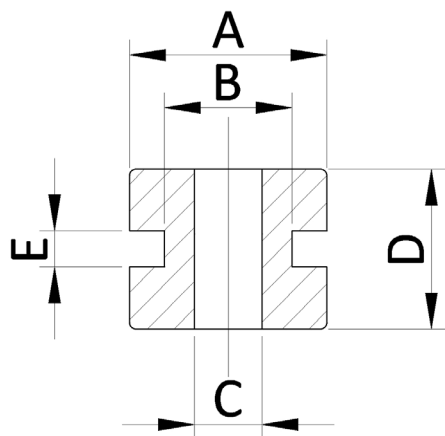
A	B	C	D	E	SAPAT Code
35	25	16	35	15	7579
36	28	20	10	1.5	3612
36	28	20	12	3	3613
37	33	21.5	10	8	4571
38	30	22	10	1.5	3614
38	30	22	12	3	3615
40	26	20	11	3	3565
40	33	30	8	1	4170
41	32.5	24.5	12	1.5	3616
42	33	25	13	3	3617
44	35	25	15	5	4136
45	34	31	12	6	4117
45.5	35.6	29.6	10	1.5	7172
46	38	30	12	1.5	3636
46	38	30	13	3	3637
49	42	32.7	8.5	4	7508
50	38	26	40	-	2135
50	42	33	10	2	7218
52	41	32	13	2.5	4866
55	46	43	9	6	4120
55.4	43.33	33.25	19	11	4521
56	47	37	11	2	4943
60	53	43	6.5	1.5	4135
67	60	48	10	2.5	7628



<< Back to all TYPES

7/7

HOLED Grommets



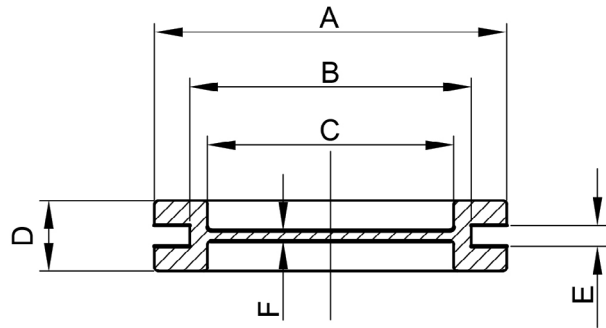
A	B	C	D	E	SAPAT Code
73.4	55.6	45.25	19	9	4522
80	60	48	19	11	7411
86	77	72	7	1	4190
87.5	84	80.5	6.3	2.5	7592
90	82	74	10.7	3	7577
104	92	86	14	10	4581
109	100	95	7	1	4191



<< Back to all TYPES

The following table is ordered by increasing value of the outer diameter.

CABLE Grommets

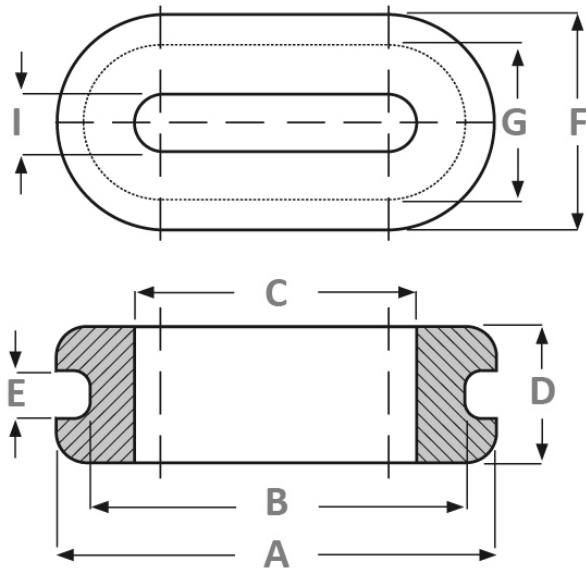


A	B	C	D	E	F	SAPAT Code
15	10	7.5 - Hole 4	6.8	2	1	7519
20	14	10	8	2	1	4125
22	16	10 - 3	11	5	1	7507
23	17	13	8	2	1	4739
25	19	15	13	5	1	4996
27	20	14 - 5	8	2.5	1	4876
28	21	17	8	2	1	4127
28	22	10	7	1	1	3328
30	23	18	10	2	1	4128
32	26	20	14	6	1	4995
34	24	18 - 5	13	4	1	7677
33	25	16	9	1.5	1	7413
33	26	21	10	2	1	4129
33	27	12	7	1	1	3329
39	34	27	12	4	1	4295
40	33	27	11	2	1	7003
40	33	27	11	4	1	7003 H4
40	34	27	10	2	1	3664
46	35	28 - 5	11	1.5	1	7414
46	38	33	11	2	1	4131
46	38	33	11	4	1	4131 H4
48	40	30 - 21	8	2	1	7369
48	42	36	13	3	1	4604
49	39	39	8	4	1	2108
52	44	38 - 10	9	2	1	3592
55	44	38	9	3	1	4828
55	48	40 - 15	13	3	1	4577
58	48	42	12	2	1	4134
67	60	50	13	3	1	7103
67	60	50 - 20	13	3	1	7103 F 20
90	75	65	12	2	1	4163
110	100	90 - 30	20	10	1	7524

<< Back to all TYPES

The following table is ordered by increasing value of the outer diameter.

OVAL Grommets



A	B	C	D	E	F	G	H	SAPAT Code
18	15	4 (2 holes)	7	1	12	9	-	2016
22	19	5 (2 holes)	11	1.5	12	9	-	3486
39	29	14.5	24.6	6	34.8	25	10.5	7447
63	55	52	8.4	1.5	37	27	26	7426
63	55	51	11	4	38	30	27	7426 H4
78	70	67	8.3	1.5	48	40	36	7430
88	70	64	12	1.5	50	32	26	3255
218	198	188	22	12	118	98	88	7497

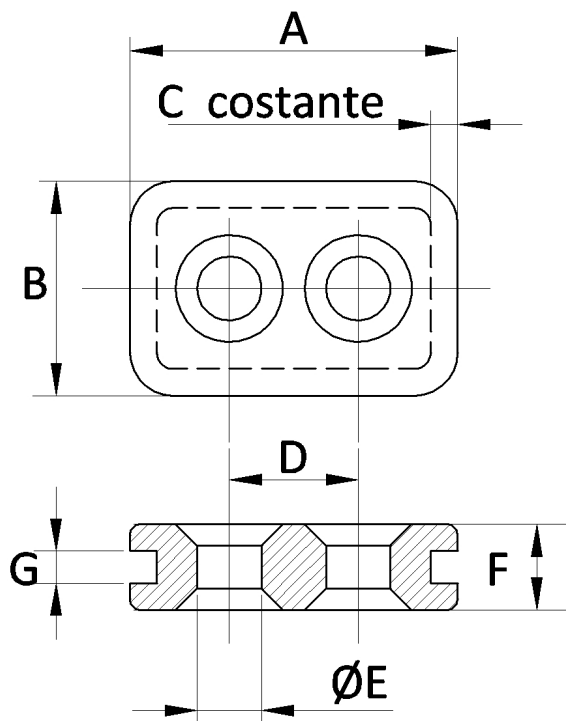


<< Back to all TYPES

Scroll through the table below to find the right rectangular grommet that fits your needs.

1/2

OTHER Grommets



A	B	C	D	E	F	G	SAPAT Code
13.5	10	1	6.3	3,4 (2 holes)	6	2	4877
23.5	12	3	4.7	1,9 (2 holes) 4,2 (2 holes) 3,5 (1 hole)	7.5	1.85	7459
18.5	15	4.2	5.5	2,5 (2 holes)	13	2	7068
80	43	5	18	12 (2 holes)	7	2	3863



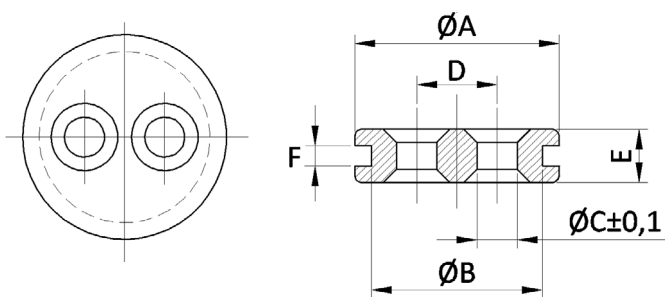
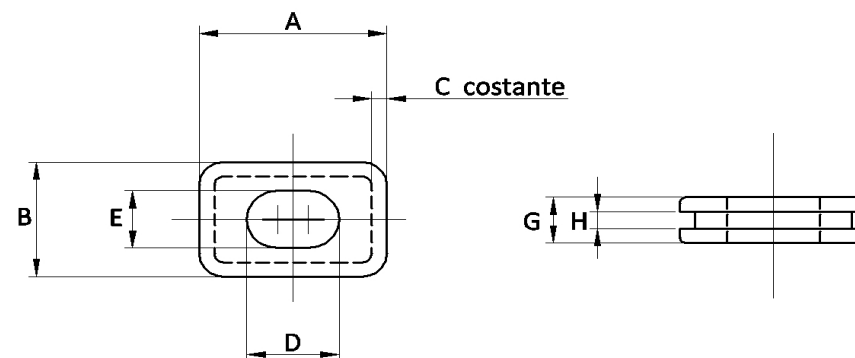
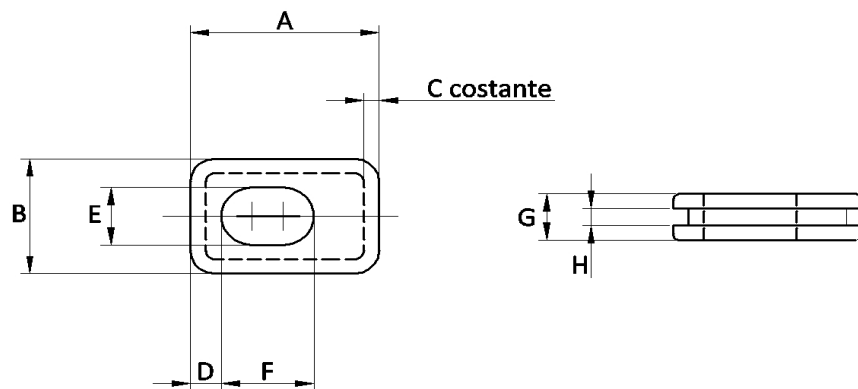
<< Back to all TYPES

Scroll through the table below to find the right rectangular grommet that fits your needs.

2/2

OTHER Grommets

A	B	C	D	E	F	G	H	SAPAT Code
30.5	20	2.5	5	10	15	8	3	4342



ØA	ØB	ØC	D	E	F	SAPAT Code
16	12	3	6	5	1	4875