



sapat

Production of rubber and silicone items since 1942

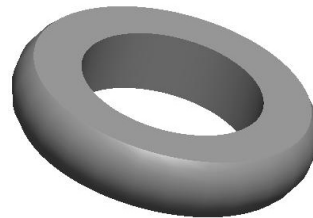
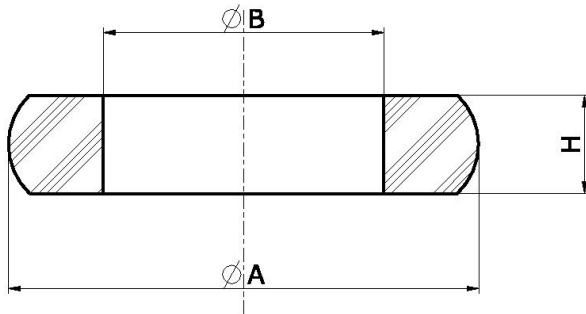
CATALOGUE 2024



O-rings for brakes

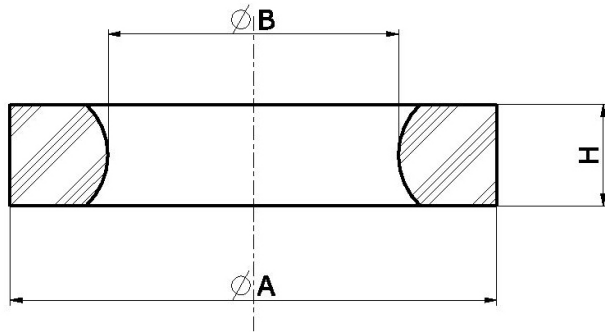


Refer to the table below, ordered by increasing values of the outer diameter (Measure "A").



A	B	H	SAPAT Code
14.3	8	4	5181
16.15	8.7	3.5	5335
17.95	11	3.5	5423
19.5	11	4	5403
20.2	14.7	3.45	5208
20.74	11	4	5547
20.8	10.5	4	5564
21	13.5	4.5	5437
21	12.5	4.5	5436
22.2	14.5	5	5283
22.5	15	5	5597
24.3	16	5	5334
25.4	16	6	5371
27.45	16.85	6	5348
28	18.5	5	5163
29	19	6	1149
31.8	20	7	5038
31.8	23	6	5162
35.4	22.5	7	5501
38.45	24	8	5359
40.4	25	8	5502
40	29	5	5032
44.5	29	8	1144
51	33	9	5081/1
57	39	9	5082

Refer to the table below, ordered by increasing values of the outer diameter (Measure "A").



A	B	H	SAPAT Code
30	21	5	5033

