



# sapat

Production of rubber and silicone items since 1942

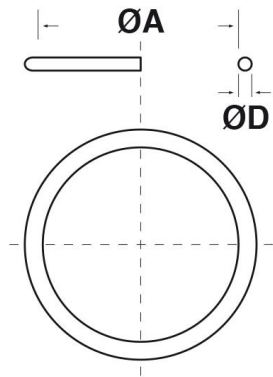
**CATALOGUE 2024**

O-Rings



To access the **tables** click on the list below.

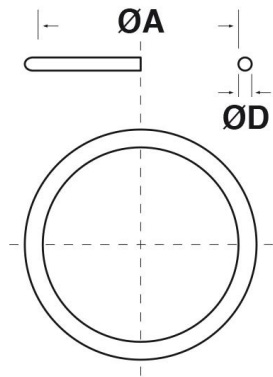
The list is ordered by increasing value of diameter of rod ("Ø D" size)



$\text{Ø D}$
$\text{ØD 1 mm}$
$\text{ØD 2 mm}$
$\text{ØD 3 mm}$
$\text{ØD 4 mm}$
$\text{ØD 5 mm}$
$\text{ØD 6 mm}$
$\text{ØD 7 mm}$
$\text{ØD 8 mm}$
$\text{ØD 9 mm}$
$\text{ØD 10 mm}$
$\text{ØD 11 mm}$
$\text{ØD 12 mm}$
$\text{ØD 13 mm}$
$\text{ØD 14 mm}$
$\text{ØD 15 mm and more}$

<< Back to all TYPES

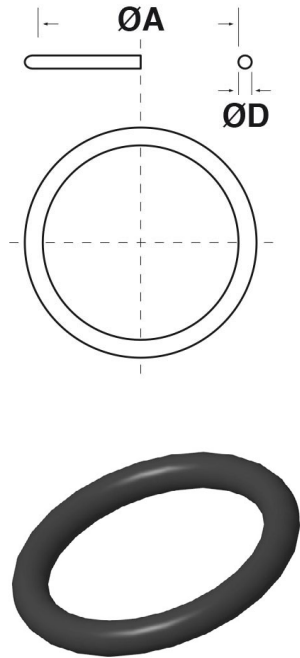
Ø ROUND BAR 1 mm



$\varnothing A$	$\varnothing D$	SAPAT Code
3,2	1,6	4873
4,5	1	4457/1
4,75	1,6	4874
4,5	1,8	7060
6	1,5	2295
6,6	1,7	1751
22,5	1,3	7609
47,62	1,59	4457

<< Back to all TYPES

Ø ROUND BAR 2 mm



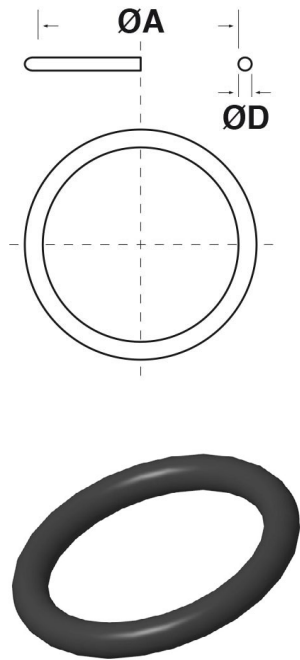
Ø A	Ø D	SAPAT Code
5	2.5	7382
7	2	4710
8	2	7014
11.5	2	7106
11	2.5	4710/1
12.4	2.5	4427
14	2.5	4710/2
14.2	2.38	4553/3
16.3	2.4	4902
16.84	2.72	4456/1
17.6	2.4	3696
21	2	7050
23	2	3717
23.5	2.6	7686
23.7	2.5	4956
25	2	3271
25.1	2.45	7002
28	2	3302
28	2.5	4073
28.5	2.4	4709/1
32	2	3514
33	2	3594
33	2	3578
33	2.5	223
38	2	4600

Ø A	Ø D	SAPAT Code
43	2	4632
42	2.5	4981
59	2.5	7201
62.8	2.1	1910/2
66	2	3888/1
77	2.62	4598
92.9	2.7	4235
92.76	2.62	4579
96	2	2934/1
115	2	4320/1
116	2	2826
120	2.8	4580
154	2	3381
157.5	2.5	1910/1
185	2	2770/1
195	2	4327
210	2	2770
268	2	4416
270	2.3	4545
275	2.65	4711/1
308	2.62	7643

<< Back to all TYPES

Ø ROUND BAR 3 mm

1/3



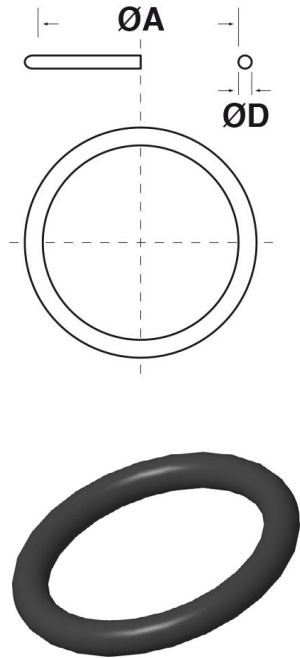
Ø A	Ø D	SAPAT Code
65	3.53	4620
7	3	4056
6.5	3.5	3875
10.3	3.2	4625
10.319	3.17	4759
11	3	765
10	3.5	4373
14	3	3544
14	3	3544
13.49	3.96	4415/1
14.5	3.5	4299
15	3.5	4837
14.228	3.969	4758
17.5	3.25	7105
20	3	7203
20	3	3249
22	3	2594
22.3	3.2	3695
24.5	3	1376
26	3	4710/3
25.4	3.96	4753
26.58	3.53	7092
28.7	3.2	3694
29.2	3	4899
32	3	7202

Ø A	Ø D	SAPAT Code
32	3	3953/1
31	3.5	7061
32	3.4	3872
33	3	1641
32.4	3.8	4167
34.5	3.53	3217
36	3	584/1
37	3	4709
36	3.5	4171
38.5	3.17	4541/1
38	3.5	4433
40	3	3236
40	3	3135
41	3	4294
40	3.15	4542
41.27	3.15	4815
42	3	3953
42.86	3.17	4415
44.45	3.17	4553/2
45	3	4675
44	3.5	3888
45	3.5	4578
45	3.5	4572
48.4	3	4934
50	3	4749

<< Back to all TYPES

∅ ROUND BAR 3 mm

2/3



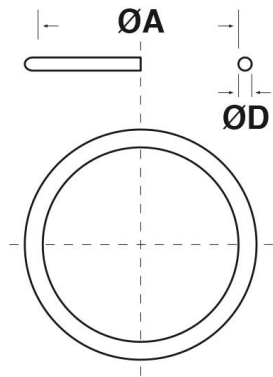
∅ A	∅ D	SAPAT Code
49.5	3.5	4784
50	3.3	4789
50.8	3.17	4541
53	3	7376
53.97	3.17	4743
55	3.5	4797
59.37	3.17	4700
60.32	3.17	4701
61	3.5	4456
65	3	2205
72	3	7079
75	3	354/1
95.6	3.5	3286
82.5	3.2	7005
84	3	4816
84	3.5	3016
88.6	3.6	4553
91	3.5	4097
94	3	4935
96	3	4980
98.4	3.17	4554/1
298	3.75	3465
100	3	2221
101.6	3.17	4872
101	3.5	7176

∅ A	∅ D	SAPAT Code
104	3.1	7205
110	3.75	3403
114	3.5	3392
115	3.5	2934/2
128	3.75	1811/3
142	3	3000/1
146	3.17	4554
154	3	2801/3
160	3	3211
166	3.75	1811/2
170	3	2711/1
171	3	4293
177	3	2855/1
179	3	2801/1
189	3	2855
190	3	2711
190	3.5	3522
195.5	3.5	3523
209	3	2801
215	3	3520/1
219.075	3.175	4712/1
218	3.75	1811
240	3	2854
240	3	2825
245	3	2504

<< Back to all TYPES

Ø ROUND BAR 3 mm

3/3



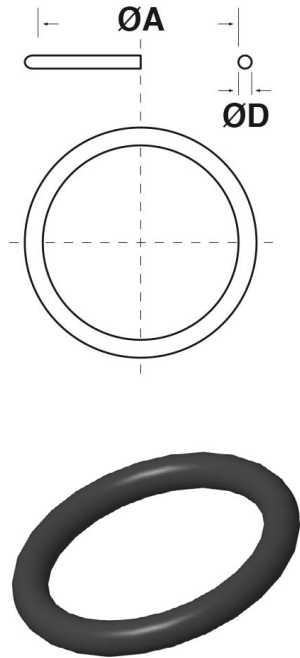
$\text{Ø A}$	$\text{Ø D}$	SAPAT Code
249	3	2365
296.8	3.59	4606
305	3.2	2889
319	3.5	3911
455	3.5	4183



<< Back to all TYPES

Ø ROUND BAR 4 mm

1/2



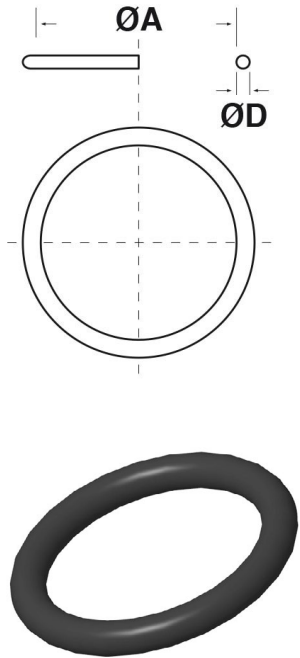
Ø A	Ø D	SAPAT Code
7	4.5	3543
7.8	4.5	3589
10	4	4900
13.5	4	4669
12	4	7288
15.5	4	4438/1
16	4	4300
19	4	7206
18	4	4645
21	4	4857
21	4	620
20.63	4.5	4443
22.2	4.75	4621
25	4	4868
26	4	346
27	4	4442
28	4	4436
28	4.5	7346
30	4	7297
30	4	4228
31	4	4836
31.75	4.76	4414
34	4	4840
36	4	4438
37	4	4098/1

Ø A	Ø D	SAPAT Code
38	4	7255
38.5	4.5	4661
40	4	4842
39.688	4.76	4752
44	4	4869
45.4	4	4937
45.4	4	4909
45	4.5	584
48	4	4788
49	4	3085/1
49	4	3027
47.8	4.75	4656
51.8	4	4938
52	4.5	4748
52	4.5	4097
57	4	4695
60	4	3085
60.32	4.76	4845
62	4	3123/1
62	4.8	3464/1
64	4	7025
66	4	4440
68	4	7291
70	4	7010
72	4	4953

<< Back to all TYPES

Ø ROUND BAR 4 mm

2/2



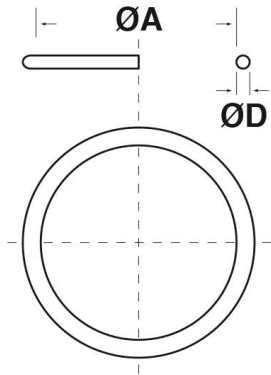
Ø A	Ø D	SAPAT Code
72	4	2701
71	4.8	3466/1
73	4	2570
74	4	3123
74	4	2515
76	4.2	4707/1
77.5	4.6	4835
79	4.8	3464
74.8	4	4957
83	4	1811
83	4.5	4042
82.55	4.76	4540/2
85	4	4098
85.7	4.7	4554/2
89.6	4.5	4844
90.3	4.76	4726
93	4.8	3466
103	4	2330
111.12	4.76	4540/1
117	4	1129/1
117.47	4.76	4539
128	4	530/2
127	4.76	4833
133.25	4.76	4540
158.75	4.76	4859

Ø A	Ø D	SAPAT Code
170	170 4	7190
170	4	2620/1
176.21	4.76	2619/1
182.48	4.76	2631
185.7	4.76	2620
192	4.76	2619
198	4	3520
203.2	4.75	4923
205	4	2854/1
203	4.8	4495
210	4.1	4082
220	4	3175
228	4.5	4428/1
235	4	3076
257	4	4051
268	4	3792/1
314	4	3792
314	4	2378/1
380	4	4673

<< Back to all TYPES

∅ ROUND BAR 5 mm

1/2



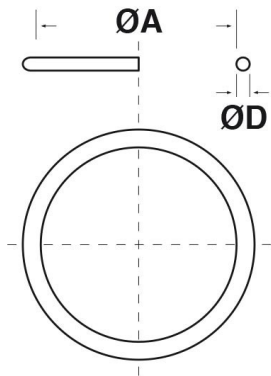
∅ A	∅ D	SAPAT Code
10	5	4464
12	5	1154
15	5	4756
16	5	7289
18.5	5	4948
18.5	5	4247
17.5	5.5	1641/1
20	5	7259
20	5.5	7204
22	5	4395
23	5.5	4787
25	5	4662
26	5	7258
28	5	7019
29	5	4680
28.4	5.3	4446/1
28.4	5.3	3123/3
29.5	5	4437
28.4	5.5	4056/1
30.2	5.6	4622
30.8	5.6	4570
32	5	4774
33	5	4657
34.5	5	4255
37	5	4321

∅ A	∅ D	SAPAT Code
37.2	5	4704
38	5	4403
38	5	3464/2
40	5	7300
40	5	347
42	5	7250
44	5	7026
44.2	5.7	4708
46	5	3762/1
46.6	5.3	2515
48	5	4484
50	5	4891
49.2	5.7	4530
55	5	4687
56	5	2056
55.5	5.5	4785
57.9	5	4940
59	5	4548
60	5.8	3762
64	5	7256
65	5	4731
67	5.3	2719/2
68.7	5	3963
79	5.35	1221
89	5	3534/1

&lt;&lt; Back to all TYPES

Ø ROUND BAR 5 mm

2/2



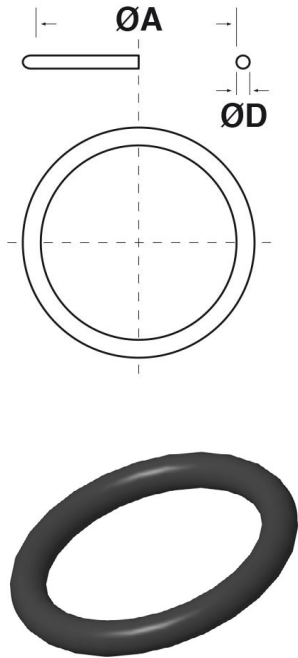
Ø A	Ø D	SAPAT Code
90	5	7134
94	5.5	7056
94.7	5.3	4833/1
98	5	2852
102	5	2611
102	5	1525/1
126	5	2488
125	5.5	2934
128	5.3	2719
133	5	2658/1
135	5	1525/2
139	5.5	2796
144	5	1910
144.2	5.7	4707
147	5	2751/1
155	5	1525
158	5.33	4901
170	5	2922/1
174	5	1598
180	5	1534
190	5	4819
192	5	3912
209	5.3	2659
220	5	4607
225	5	2751

Ø A	Ø D	SAPAT Code
255	5.5	4606
289	5.7	7189
317	5	1933
405	5	2944
420	5	2381/1
493	5	1690

<< Back to all TYPES

Ø ROUND BAR 6 mm

1/2



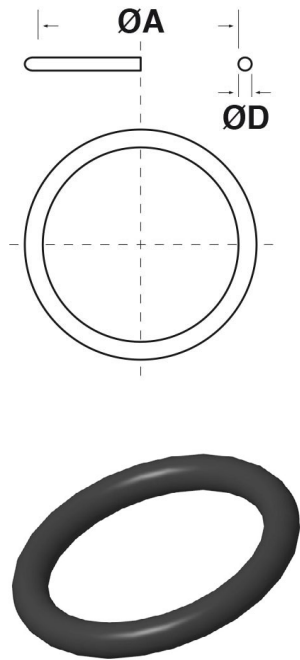
Ø A	Ø D	SAPAT Code
13	6	7155
16	6	4703
20	6	4686
21	6	4670
22	6	7241
24	6	7001
25	6	7143
26	6	3085
26	6	622/1
25	6.5	7200
30	6	4796
32	6	7000
31	6.5	3100/2
64	6	4642
34	6	924
36.5	6.35	4413
39	6	4426
41	6	7275
41.5	6	3963/1
44	6	4653
45	6	3934
44	6.5	4496
46 6	6	4972
48	6	7069
50	6.3	4879

Ø A	Ø D	SAPAT Code
51.7	6	7117
52	6	622
57	6	3935
98	3.75	3465/1
58	6.5	3465
84.5	6.35	4235/1
70	6	4911
77.6	6	3802/1
85	6	4798
86	6	7230
90	6	658
98	6	4952
102	6	7280
103	6	3538/1
105	6	3656/1
110	6	3000/3
112	6	1150
115	6	658/1
119	6	7099/2
119	6	3000/2
124	6	7389
124	6	3538
134	6	659/1
137	6	658/2
139.5	6.1	3989

&lt;&lt; Back to all TYPES

Ø ROUND BAR 6 mm

2/2

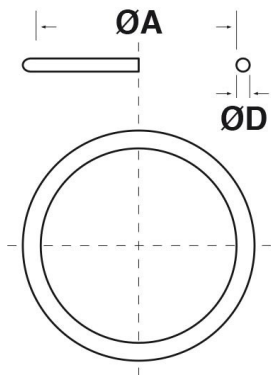


Ø A	Ø D	SAPAT Code
141	6	658/3
144	6	659
150	6	7099
154	6	2631/1
158.7	6.4	2658
190	6	7191
197.5	6.4	4234
205	6	4773
209	6	3632/1
210	6	3699/3
245	6	644
256	6	3699/2
260	6	3076
292	6.5	3174
336	6	4045
335	6	2856
388	6	2941
410	6	1384
420	6.3	1293/1
493	6	2379



<< Back to all TYPES

Ø ROUND BAR 7 mm



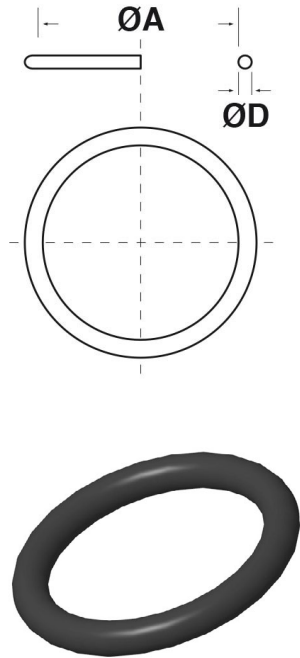
$\varnothing A$	$\varnothing D$	SAPAT Code
16	7	4856
16.3	7.2	4939
17	7.5	3634
20	7	4665
48	7	1811
22	7	1611
23.5	7	4389
24	7	4599
25	7	7243
30	7	7287
31.75	7.14	4626
37	7	1640
41	7	3804/1
49	7	7118
51	7.5	1915
56	7.5	3204
63	7	3804
67	7.5	7385
70	7	4858
88.4	7.5	4725
90	7	4663
91	7.5	3889
94	7	2658/2
111	7	3207/1
113	7	3534

$\varnothing A$	$\varnothing D$	SAPAT Code
120	7	484
170	7.5	2375
225	7	3699/1
244	7	4545/1
250	7	2894
275	7	3699
288	7	4545/2
312	7	3356
393	7	2340

<< Back to all TYPES

Ø ROUND BAR 8 mm

1/2



Ø A	Ø D	SAPAT Code
11	8	2414/1
17.4	8	4941
19.7	8	4949
22	8	3659
25	8	7274
27.5	8	1559
30	8	374
33	8	4841
38.5	8.5	4882
39	8.5	7074
48	8	7107
48	8	7102
52	8	4666
52	8	484/2
57	8	4705
62	8	3482/2
65	8	2134
65.5	8	3989/2
67	8	7276
70	8.5	3483/1
73	8	4256
75	8	3403
76	8	3745/1
75	8.5	4603
82	8	7114

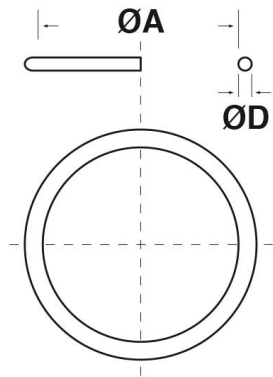
Ø A	Ø D	SAPAT Code
84	8	7078
86.7	8	4953
95	8	4775
96	8	530
99	8	3989/1
100	8	484/1
104	8	3745
116	8	1269/1
128	8	3889/1
140	8	2488/1
147	8	1269
174	8	7099/1
185	8	3913
204	8	2922
210	8.5	3870
222	8	1998
234	8	2053
235	8	1750
240	8.5	4712
242	8	3870/2
248	8	1387
253	8	1841
270	8.5	4428
274	8.5	3870/1
310	8	3632



<< Back to all TYPES

Ø ROUND BAR 8 mm

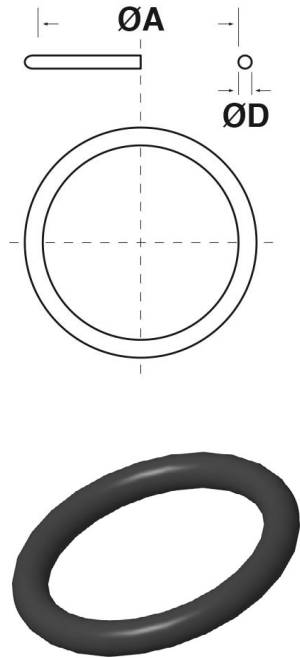
2/2



$\varnothing A$	$\varnothing D$	SAPAT Code
330	8.5	3871
353	8.5	2941
360	8.5	1933
450	8	2379/1

<< Back to all TYPES

Ø ROUND BAR 9 mm

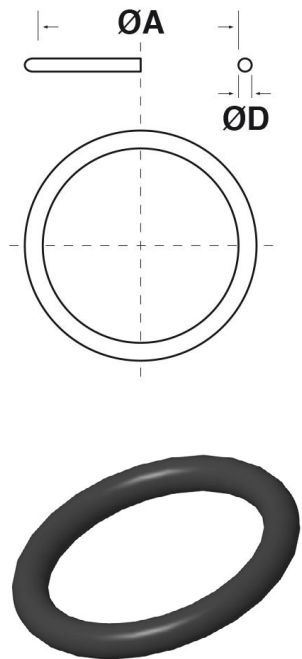


Ø A	Ø D	SAPAT Code
26.5	9	4855
32	9	7257
43.5	9.5	3466/2
16	9	3553
48	9	3005/1
50	9	4892
75	9	3005
84	9	4602
100	9	3483
101	9.5	7336
108	9	505
110	9	7137
110	9	3482/1
117	9.5	7168
135	9	3482
175	9	2712
190	9	1888/1
210	9	1890
215	9	1888
240	9	3520
279.5	9.5	2378
258.7	9.53	2660
375	9	3216
444	9.5	2381



<< Back to all TYPES

## Ø ROUND BAR 10 mm

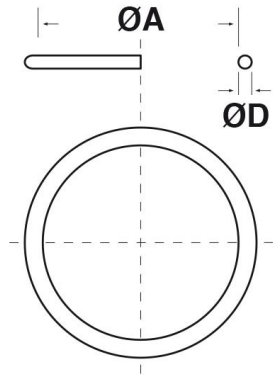


Ø A	Ø D	SAPAT Code
23	10	7020
36	10	4954
36.3	10	4388
38.5	10	4185
39	10	3659/1
40	10	4182
41	10	3015/1
45	10	4441
50	10	4446
55	10	7286
55	10	1887/2
60	10.5	3014
65	10	7321
69.5	10	7305
73	10	7246
75	10	4103
80	10	4102
82	10	3015
85	10	1887/1
100	10	3237
115	10	1887
128	10	1295/2
160	10	245
195	10	1295

Ø A	Ø D	SAPAT Code
197	10	7265
216	10	3081
220	10	1248
225	10	2660/1
240	10	1934
270	10	2491
347	10	1294
403.5	10	3732/1
447	10	1293
632	10	1292

<< Back to all TYPES

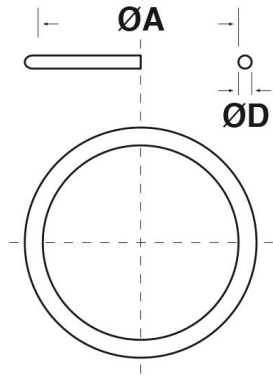
Ø ROUND BAR 11 mm



$\text{Ø A}$	$\text{Ø D}$	SAPAT Code
30	11	3142
53	11	2836
75	11	7247
304.8	11.1	4950

<< Back to all TYPES

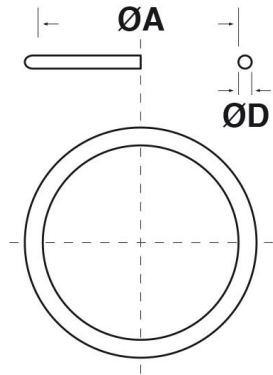
Ø ROUND BAR 12 mm



$\varnothing A$	$\varnothing D$	SAPAT Code
25	12	7298
30	12	3193
70	12	4320/1
80	12	7248
84	12	7304
90	12	7313
95	12	7315
100	12	7314
101	12	1910
108	12	7282
114	12	7169
122	12	7207
140	12	3207
145	12	530
160	12	1295/1
170	12	1248/1
173	12	3076/1
202	12.5	7281
209	12	4975
210	12	1296
238	12	3911/1
274.5	12	4970
318	12	1000
370	12	3732
418	12	1741

<< Back to all TYPES

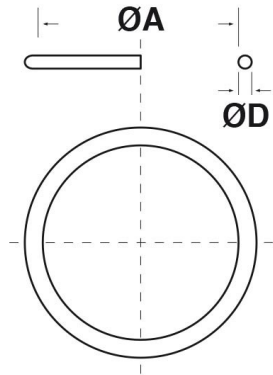
Ø ROUND BAR 13 mm



$\text{Ø A}$	$\text{Ø D}$	SAPAT Code
32	13.5	2205/1
35	13	2414
50	13	2142
79	13	3823
150	13	7249
170	13	353

<< Back to all TYPES

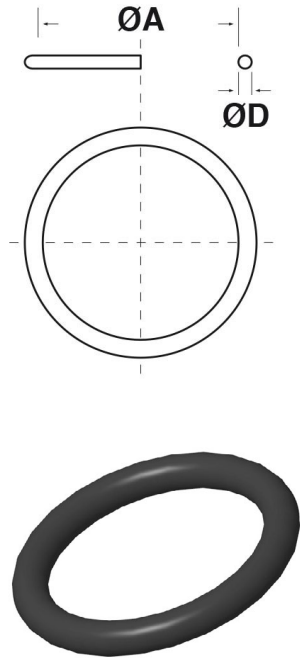
Ø ROUND BAR 14 mm



$\varnothing A$	$\varnothing D$	SAPAT Code
59	14	4608
80	14	3581/1
82	14	354
108	14	4372
120	14	3581
135	14	7306
145	14	7349
150	14	7348
200	14	7347
260	14	251
300	14.5	1294/1
330	14	538

<< Back to all TYPES

Ø ROUND BAR 15 and >15 mm



Ø A	Ø D	SAPAT Code
28	15	2190
50	15	374
59	18	2664
70	15	3743
64	19	705
74	18	1095
89	15	1864
96	15	7338
100	15	1724
100	19	2143
147	18	2445
150	19	2144
135	32	1876
185	25	579
176	15.5	3000
180	15	7333
185	15	2221/1
265	32	3517
324	17	2204
350	18	2376
400	20	56