



# sapat

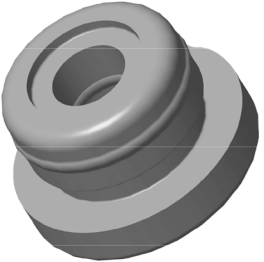
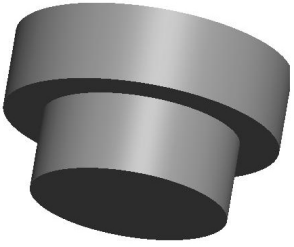
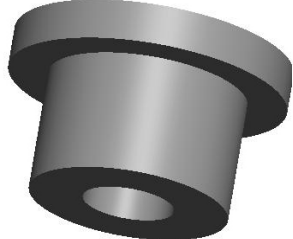
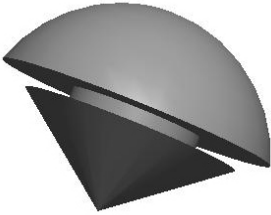
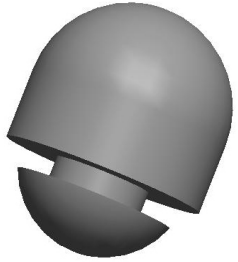
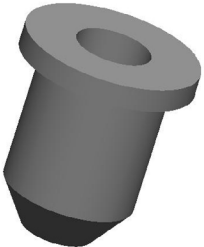

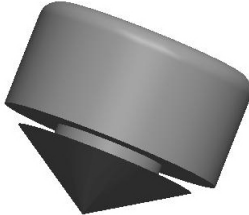
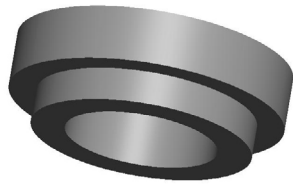
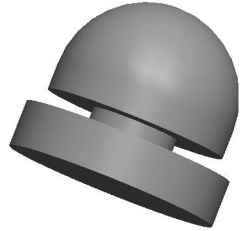
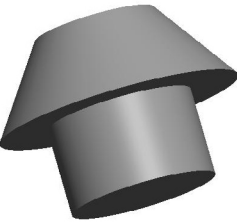

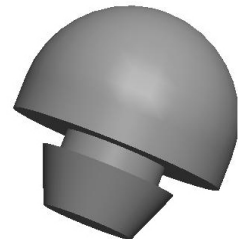
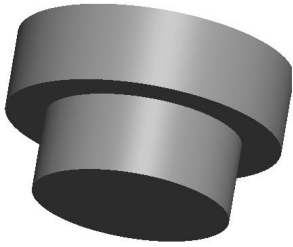
Production of rubber and silicone items since 1942

**CATALOGUE 2024**

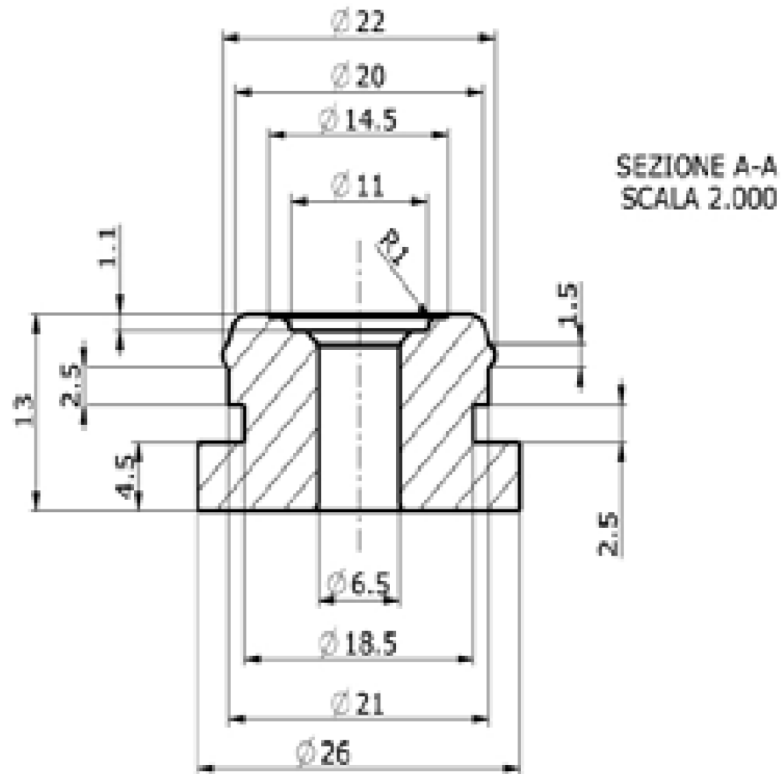
Plugs



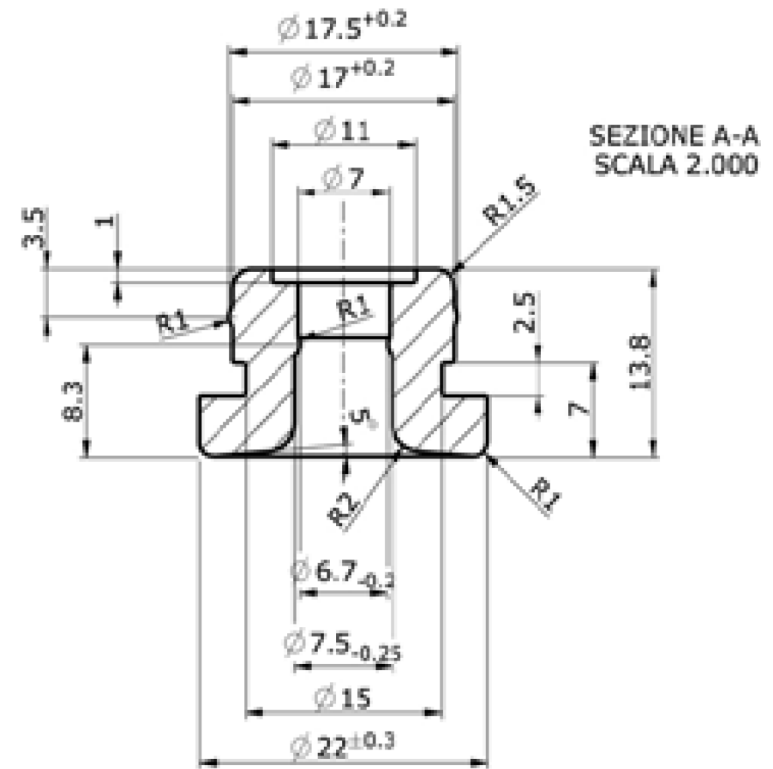
Click on the **profile** that suits your needs to access the table with quotations and the SAPAT codes.

<p><b>Connections</b></p> 	<p><b>1</b></p> 	<p><b>2</b></p> 	<p><b>3</b></p> 	<p><b>4</b></p> 
<p><b>5</b></p> 	<p><b>6</b></p> 	<p><b>7</b></p> 	<p><b>8</b></p> 	<p><b>9</b></p> 
<p><b>10</b></p> 	<p><b>11</b></p> 	<p><b>12</b></p> 	<p><b>13</b></p> 	<p><b>14</b></p> <p><b>OTHERS</b></p>

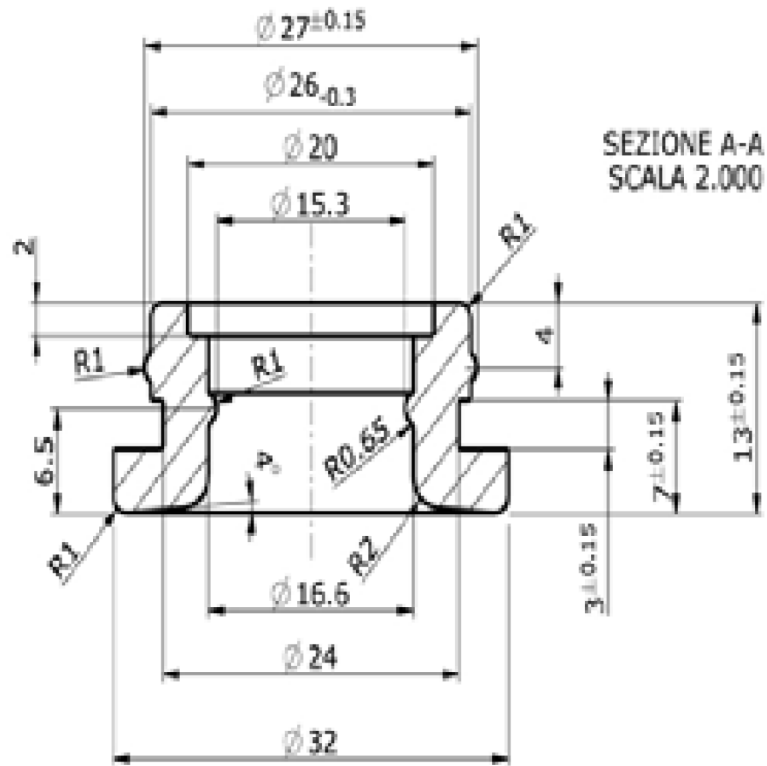
5337



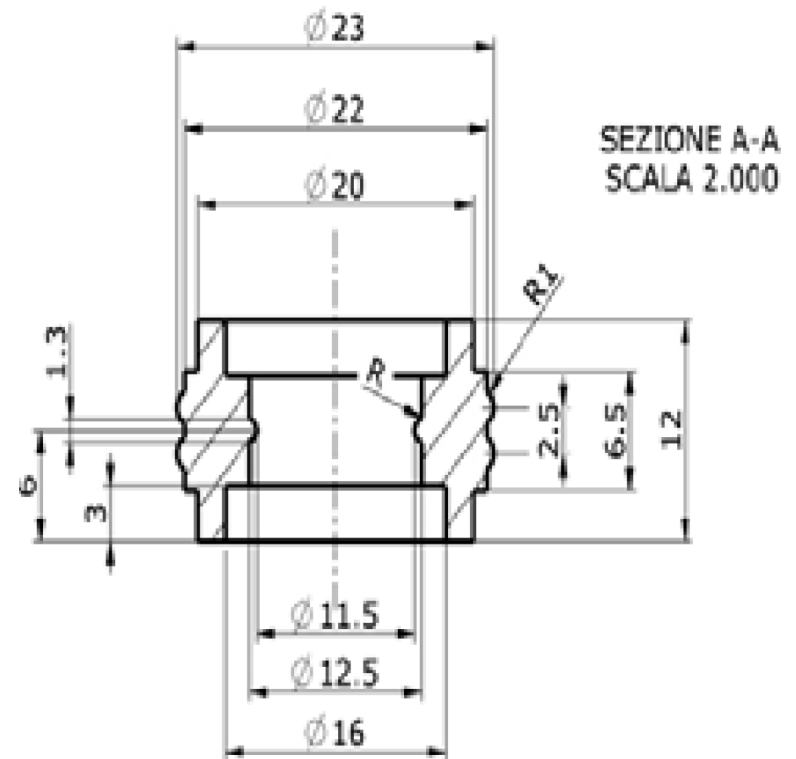
5566



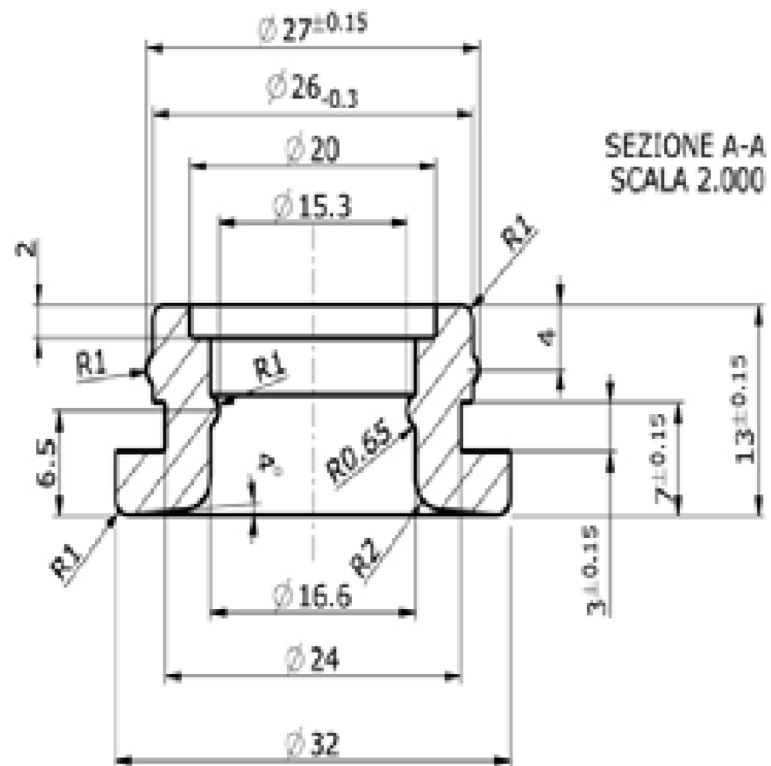
# 5573



# 5590



5391

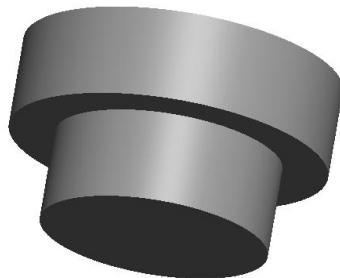
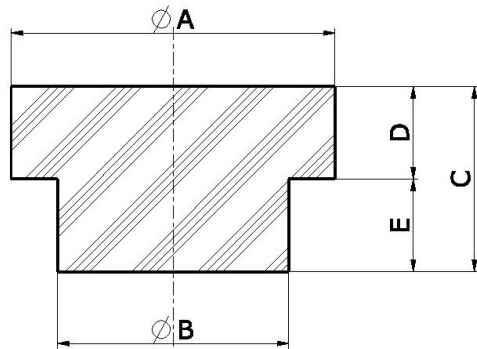


<< Back to all TYPES

1/2

# TYPE 1

See column "NOTE"



A	B	C	D	E	Note	SAPAT Code
6.5	4.5	9.5	3.5	6		3588
7	4.5	4.5	1	3.5		4890
10	2.5	7.5	3.5	4		4205
10	4	18	4	14		3307
10	8	8	3	5		3218
10	5	14	4	10		4647
11	6.5	17	2	15		4831
11	8	17	4.5	12.5		3811
11	9	9	3	6		3515
12	10	8	3.2	4.8		4562
14	6	7.5	2.5	5		4742
14	8	10	2	8		2261
15	8	11	3	8		2547
15	10	16	4	12		728
16	6	6.5	3	3.5		4186
17	13	25	7.5	17.5		1378
18	14.5	25	10	15		2435
20	17	10	2	8		2912
22	15	31	21	10		4093/1
24	12	9	1.5	7.5		165
24	14	25	15	10		1227
24	20	10	6	4		2150
25	14	16	10	6		3281
25	20	31	10	21		1872

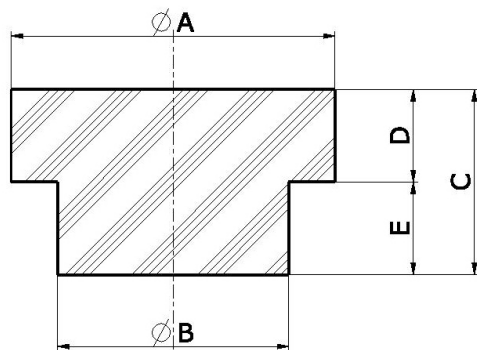


<< Back to all TYPES

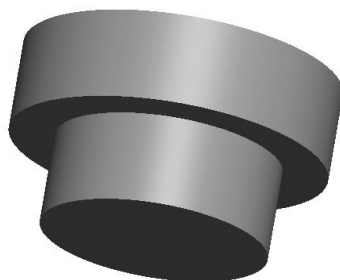
2/2

# TYPE 1

See column "NOTE"



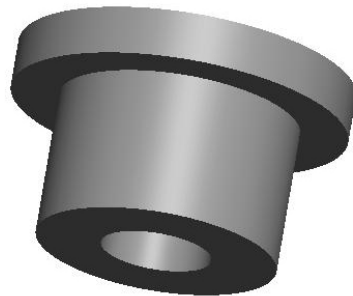
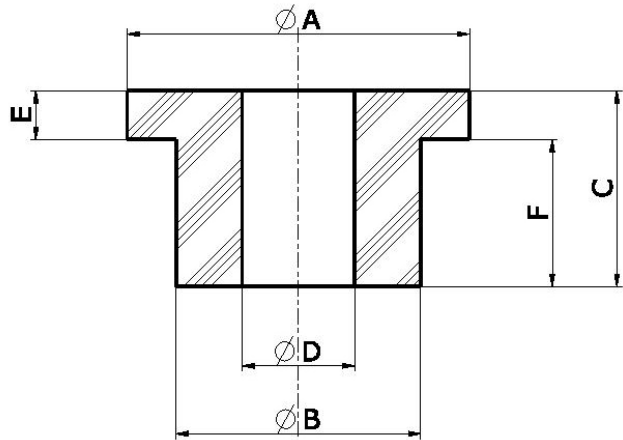
A	B	C	D	E	Note	SAPAT Code
27	16	18	9.5	8.5		7072
30	9	20	6	14	Threaded	1551
32	24	23	11	12		2050
38	30.5	10	5	5		4483
39	17	28.5	8.5	20		727
40	18	23	11	12		1630
40	18.5	29	9.5	19.5		732
50	35	20	15	5		4810
57	47	33	8	25	Square base	7133
65	7	34	25	9		2864





<< Back to all TYPES

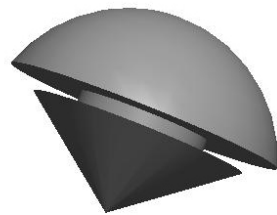
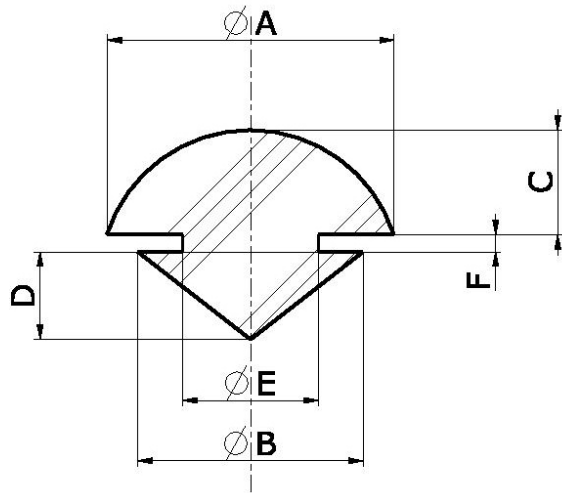
## TYPE 2



A	B	C	D	E	F	SAPAT Code
10	6	13	3	2	11	7330
12	7	7.5	5	1	6.5	4760
16	5.5	3	4	1	2	1902
17	11	15.5	5.5	2.5	13	7307
25	22	27	13	4	23	1727
25	14.5	6.5	11	1.5	5	1773
26	20	15	4	8	7	3626
36	16.5	26	6.5	10	16	1011
47 Square base		16				3666
60 Square base		40				3661

[<< Back to all TYPES](#)

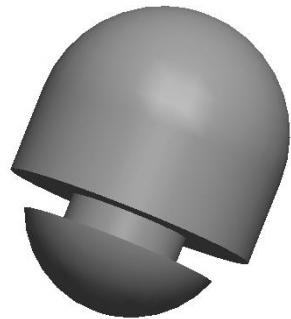
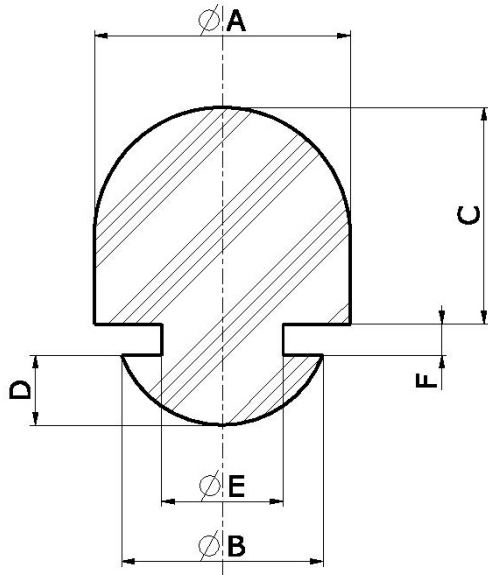
## TYPE 3



A	B	C	D	E	F	SAPAT Code
10	5.5	4	4	4	1.5	4168
10	7.5	9	5	5.5	1.5	7018
14.7	9.5	4.5	7.5	7	2	7451

[<< Back to all TYPES](#)

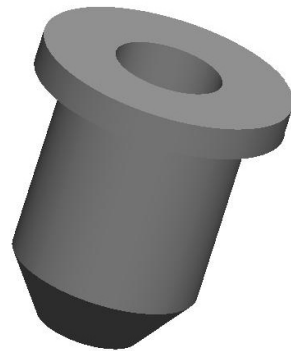
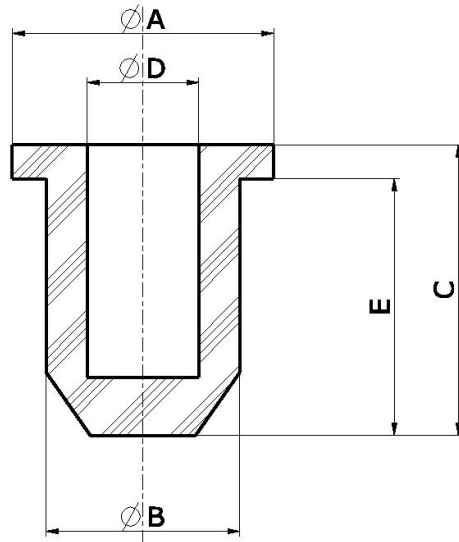
## TYPE 4



A	B	C	D	E	F	SAPAT Code
8.5	6.5	7	4	5.5	1.7	1435
20	10	9.5	3	7.5	2	2026

[<< Back to all TYPES](#)

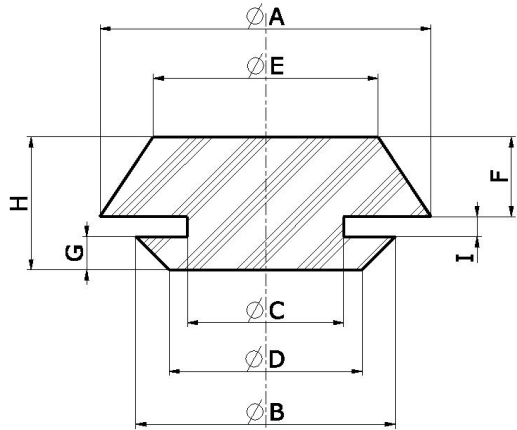
## TYPE 5



A	B	C	D	E	SAPAT Code
10	7	8	4	6	4781
13.5	9.5	20	5	16	86223
16	11.7	13	6.5	11.5	4477
18	14	24	7	19.5	3796
33	28	29	22	20.5	3649
34	25	23	16	20	4805
65	45	32	40	28	4676

<< Back to all TYPES

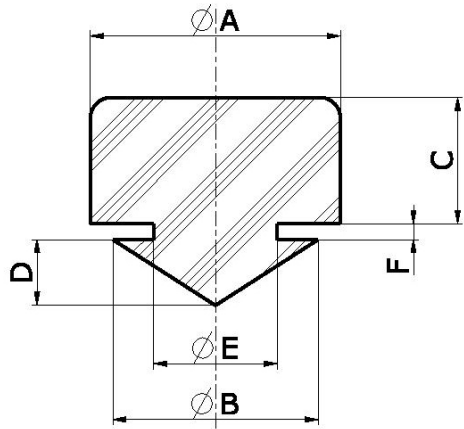
# TYPE 6



A	B	C	D	E	F	G	H	I	SAPAT Code
41	37	32	25	31	9	12	29	8	3500
30	27	25	25	29	2.5	2	10.5	6	4012
20	18	16	14	17	3	1.5	10.5	6	4013
55	52	47	38	38	9	12	29	8	4165
14	12	10	9	11	2.5	3.5	8	2	4479
18	13.5	12.5	11	16	5.2	3.6	11	2.2	4478
42	42	32	33	26	7	11	27	9	4624
24	21	16	16	23	2.5	3.5	9.5	3.5	4846

[<< Back to all TYPES](#)

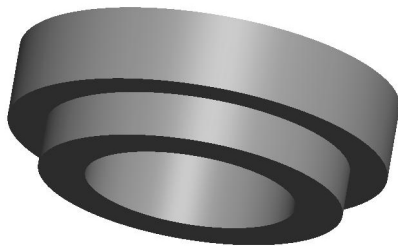
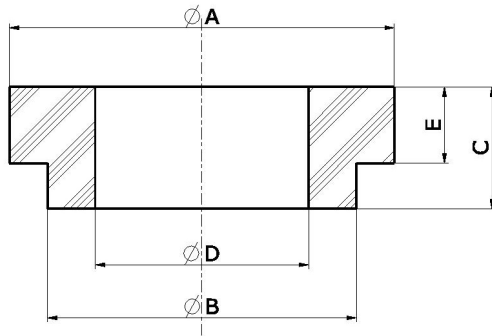
## TYPE 7



A	B	C	D	E	F	SAPAT Code
8	5.8	1	4	4	1.5	4706
11	7.8	2.5	4.5	6.5	1.5	3674
15	10	5	25	5	3.5	3331
15	11	9.5	5.5	7	1	3308

[<< Back to all TYPES](#)

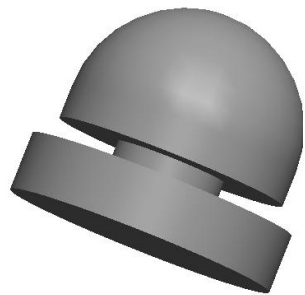
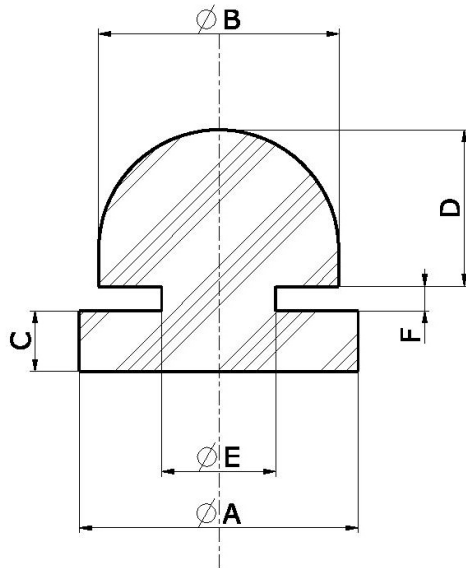
## TYPE 8



A	B	C	D	E	SAPAT Code
20	16	5	8	2	2811
20	16	10	10	5	4978
20	16	14	8	10	3387
80	60	52	20	27	7472
80	60	78	30	40	7475

[<< Back to all TYPES](#)

## TYPE 9

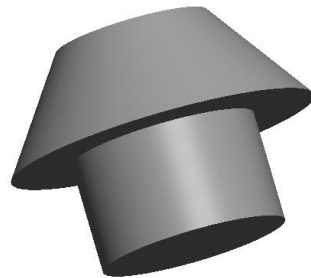
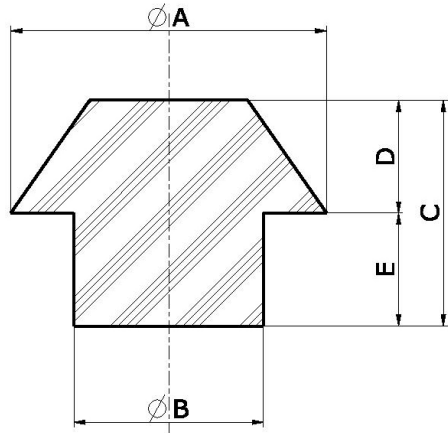


A	B	C	D	E	F	SAPAT Code
8	10	1.5	4	5	3	3250
10	7	3.5	4	5.3	2	1074
11.5	8	5	5.5	6.5	1.5	3489
12	9	2.5	4	7	2	4432
12	10	2.5	6	9	2	7424
12	10.5	2.5	4.5	7.5	1.5	7407



<< Back to all TYPES

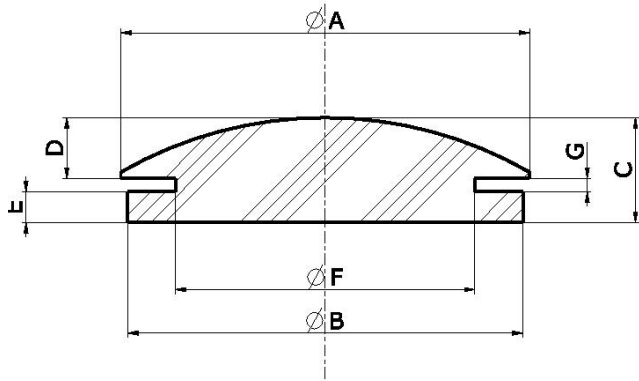
# TYPE 10



A	B	C	D	E	SAPAT Code
8	5.5	8	2.5	5.5	1784
8.5	5	6.5	2	4.5	2115
9	5	13.5	4	9.5	3563
9	5	10.5	3.5	7	1836
9	4	10	3.5	6.5	1008
13.5	7.2	22.5	13	9.5	4741
14	8	11.5	1.5	10	1680
15.5	10	18	8	10	1508
15.5	8	12.5	5.5	7	1047
16	10	28	8	20	2718
16	14	13	9	4	25
17	8	19	9	10	7316
19	9	18.5	9	9.5	3715
20	8	18	9	9	3883
20	10	17	8.5	8.5	3962
23	12	20.5	10	10.5	376
25	18.5	34	10	24	1491
28	14	23	10	13	4987
30	20	31	11	20	7063

&lt;&lt; Back to all TYPES

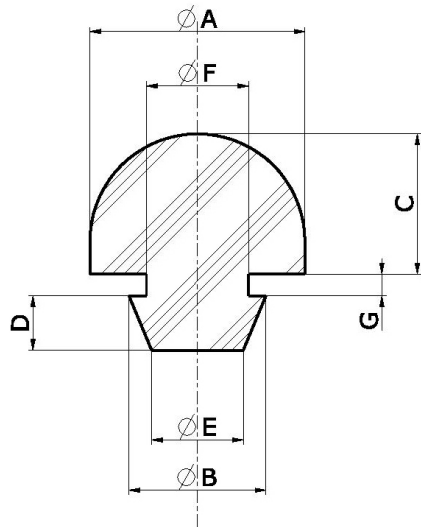
## TYPE 11



A	B	C	D	E	F	G	SAPAT Code
28	26	7.5	2.5	2	21	3	2645
30	35	10.5	1.5	7	25	2	2024

[<< Back to all TYPES](#)

## TYPE 12

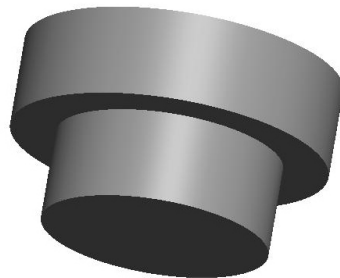
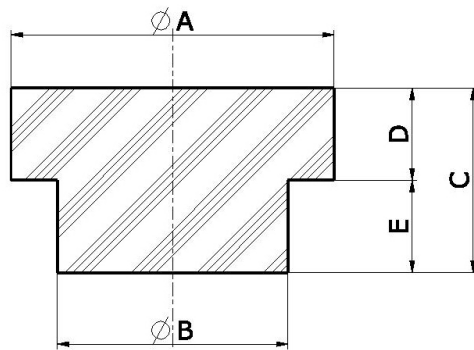


A	B	C	D	E	F	G	SAPAT Code
10	6	7	3	4.5	4.2	1	7162
14	22	7	14	16	10.5	1	4827
18	12	11	5.5	10	8.5	4.5	1237
20	10	12	3	7	7.5	2	990
20	11	7.5	2.5	8	10	16	3456
20	12	27	8	10	9	5	3917

<< Back to all TYPES

# TYPE 13

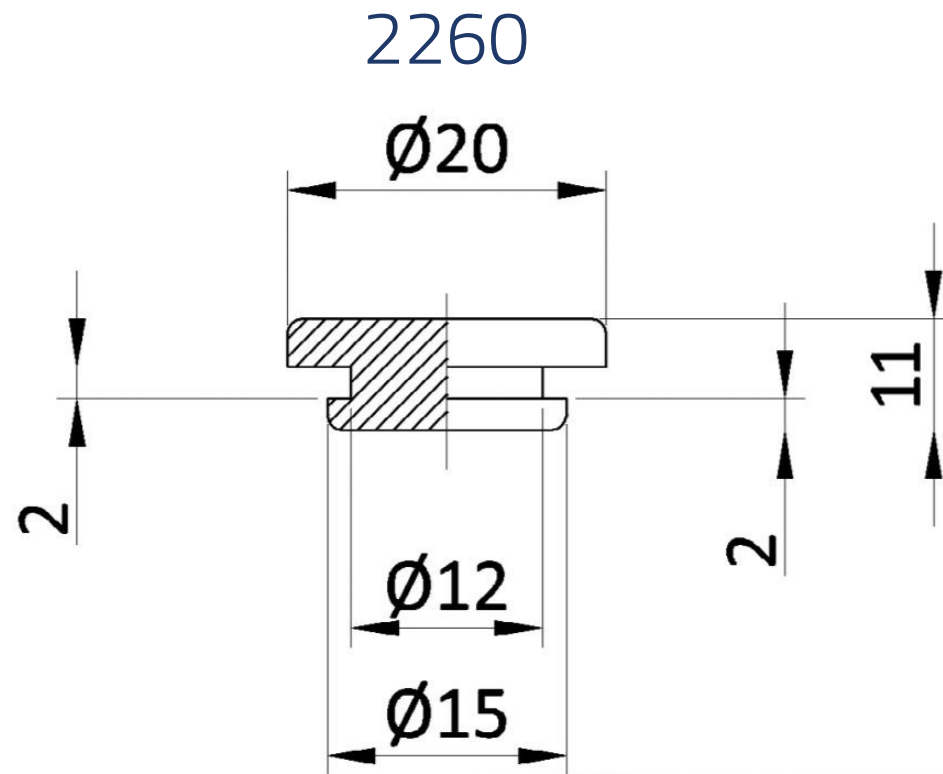
See column "NOTE"

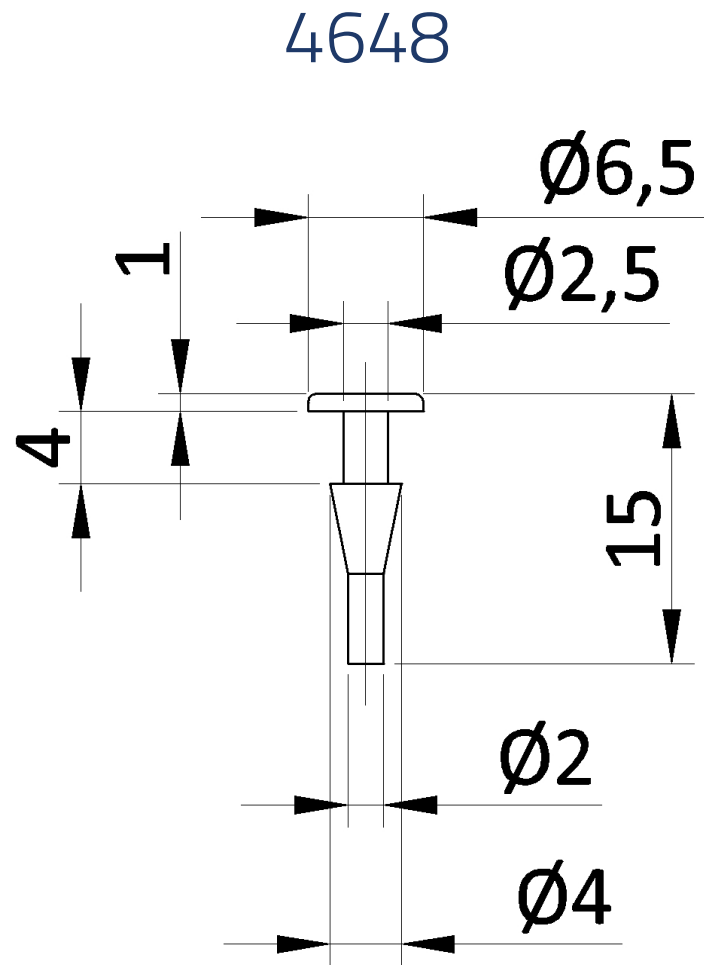


A	B	C	D	E	Note	SAPAT Code
39	30	11	6	5	Square plan	1897
30	23	31.5	9.5	22	Square plan	4764
(6 x 11)	11	10	2	7	Oval plan, h gorge 1mm	3761
(31 x 10)	25	30	29	27	Square plan	7308
26	22	17	25	23	Trapezoidal plan, Holed, $\emptyset$ hole 5mm	7354

## TYPE 14: OTHER Plugs

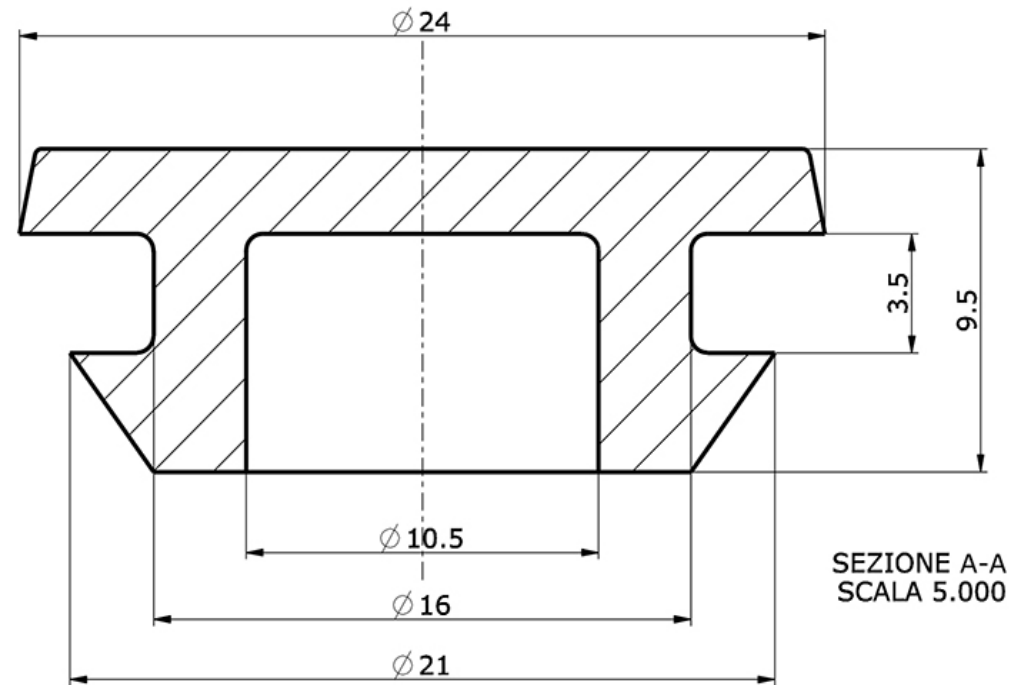
Scroll through the drawings that do not fit into the previous categories:

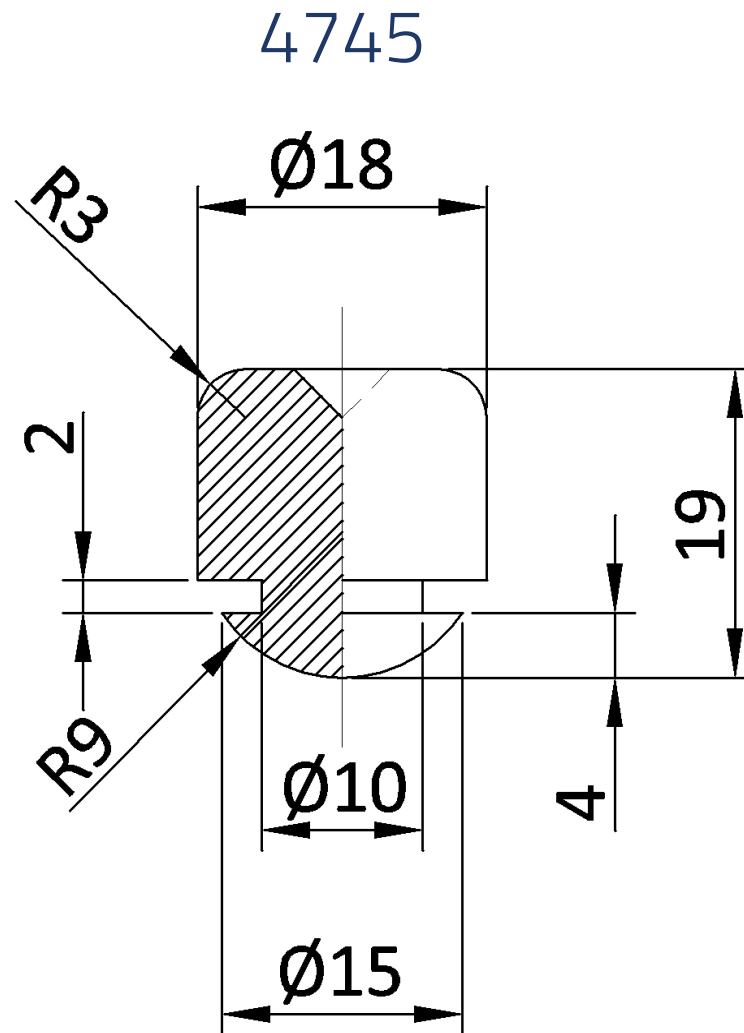


[<< Back to all TYPES](#)

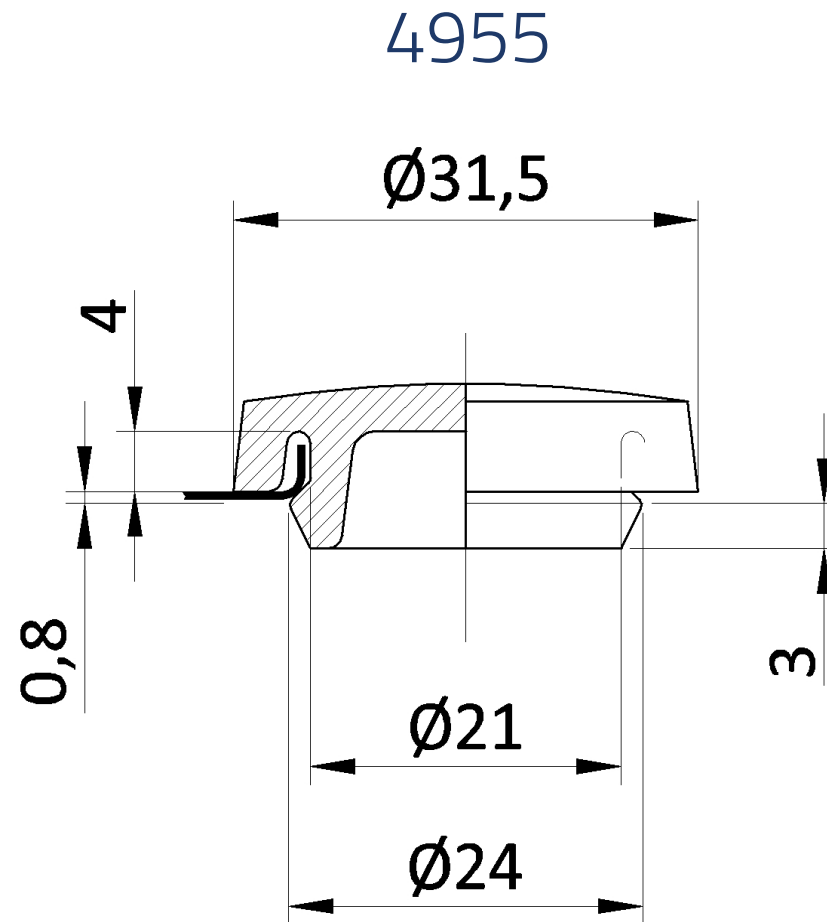
&lt;&lt; Back to all TYPES

4846



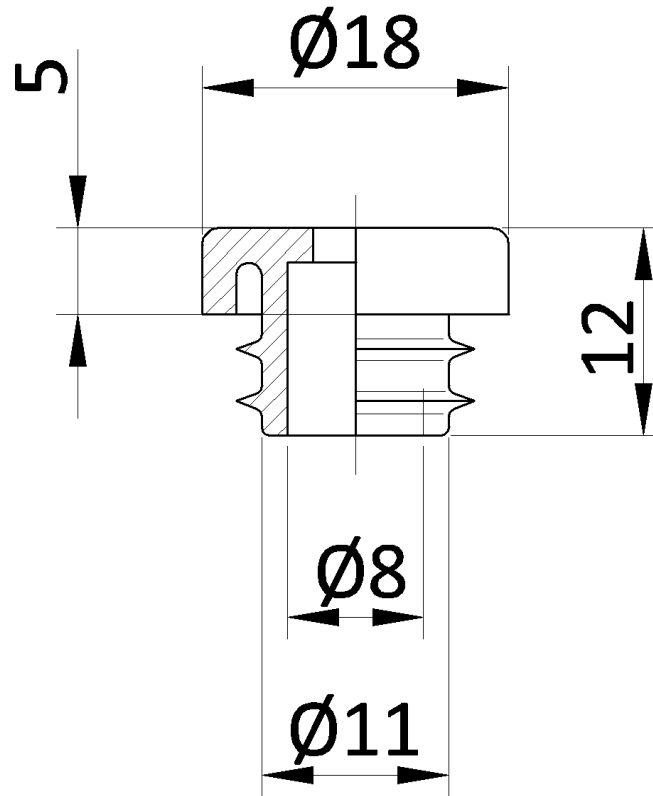
[<< Back to all TYPES](#)



[<< Back to all TYPES](#)

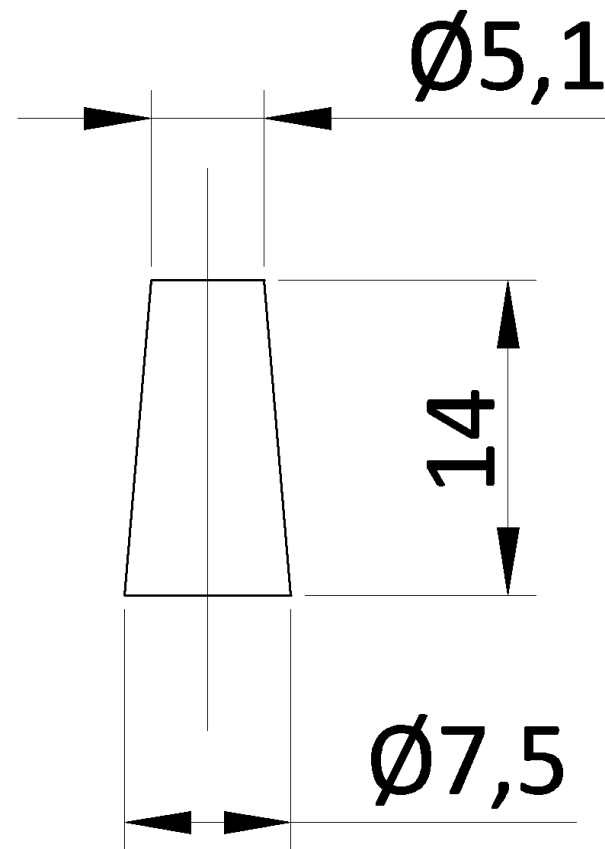
<< Back to all TYPES

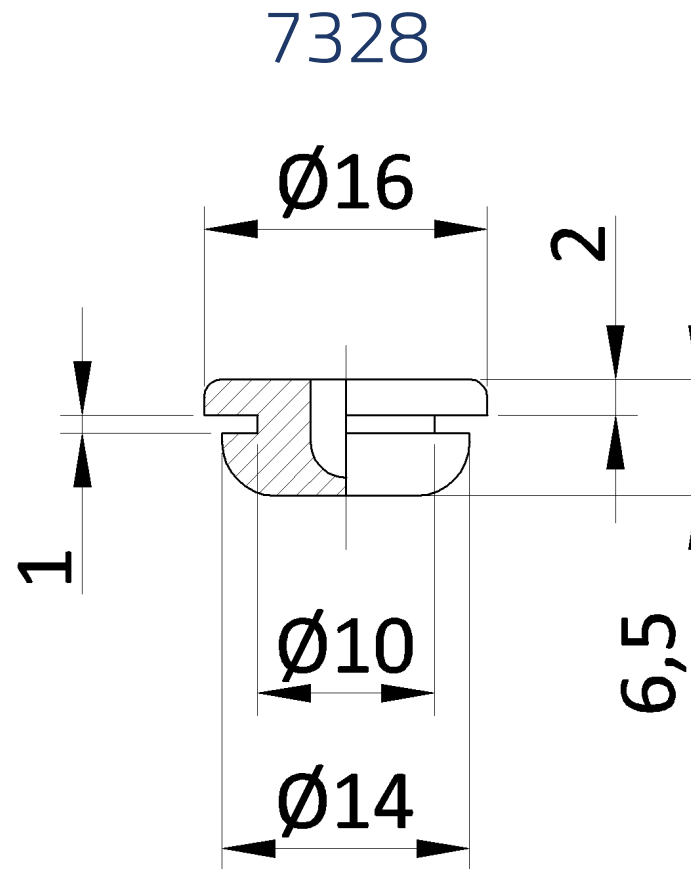
7193



[<< Back to all TYPES](#)

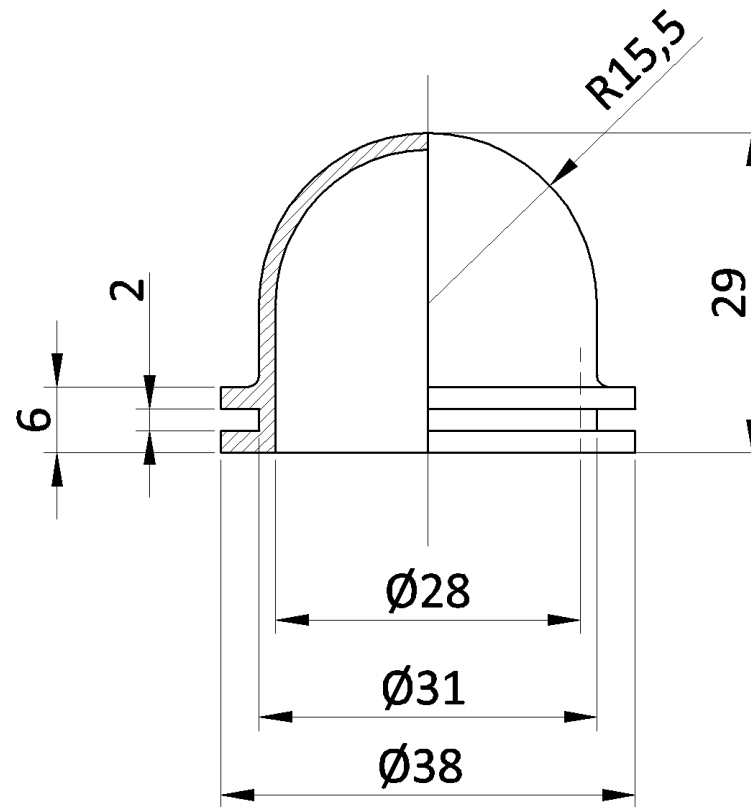
7269

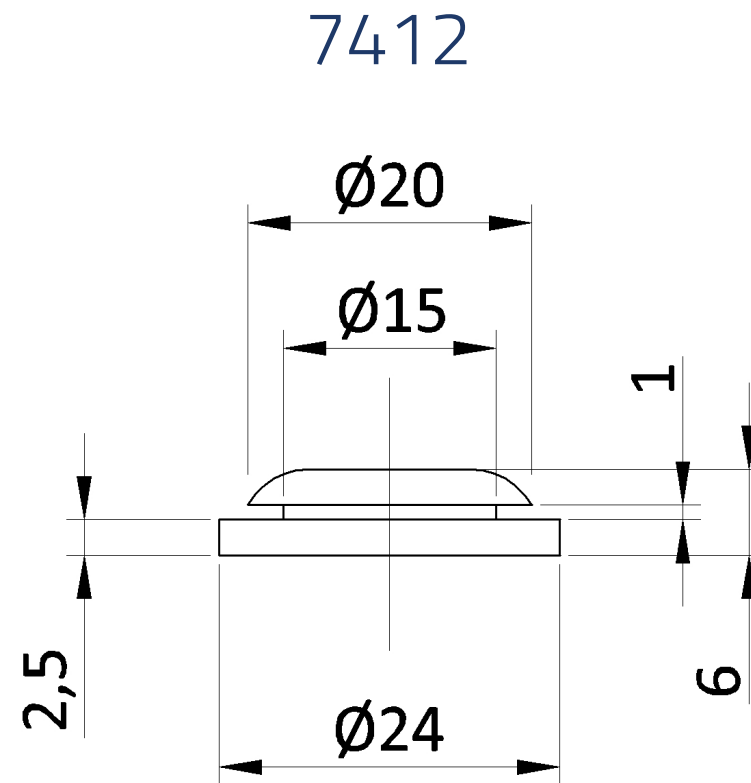


[<< Back to all TYPES](#)

[<< Back to all TYPES](#)

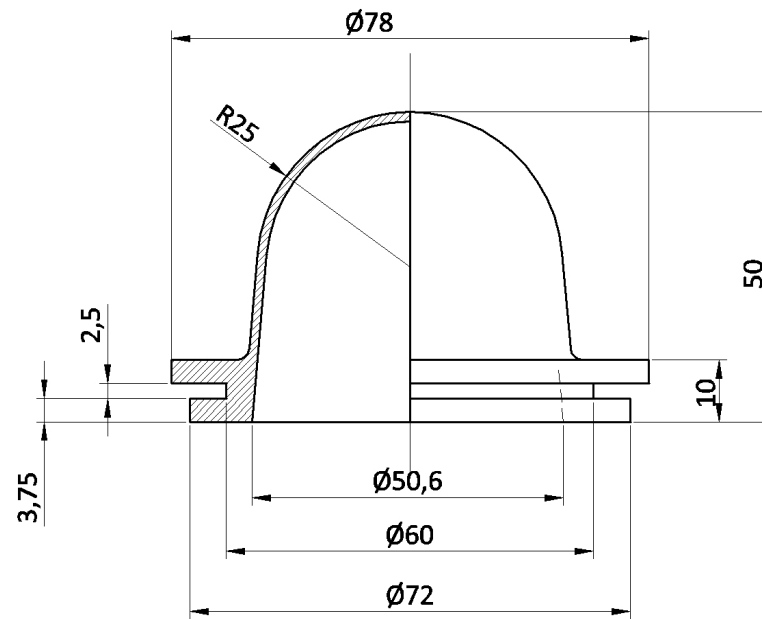
7409

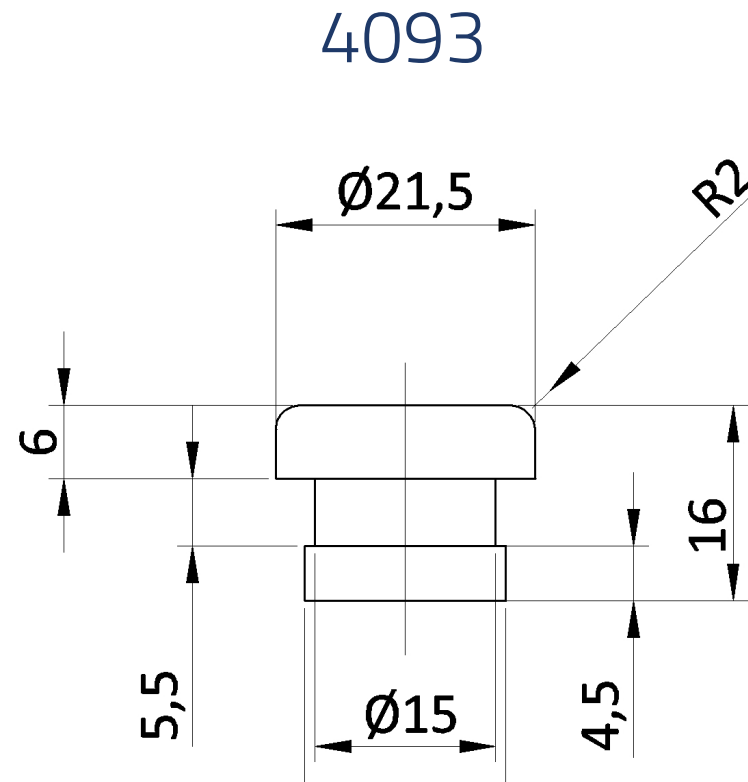


[<< Back to all TYPES](#)

[<< Back to all TYPES](#)

7588

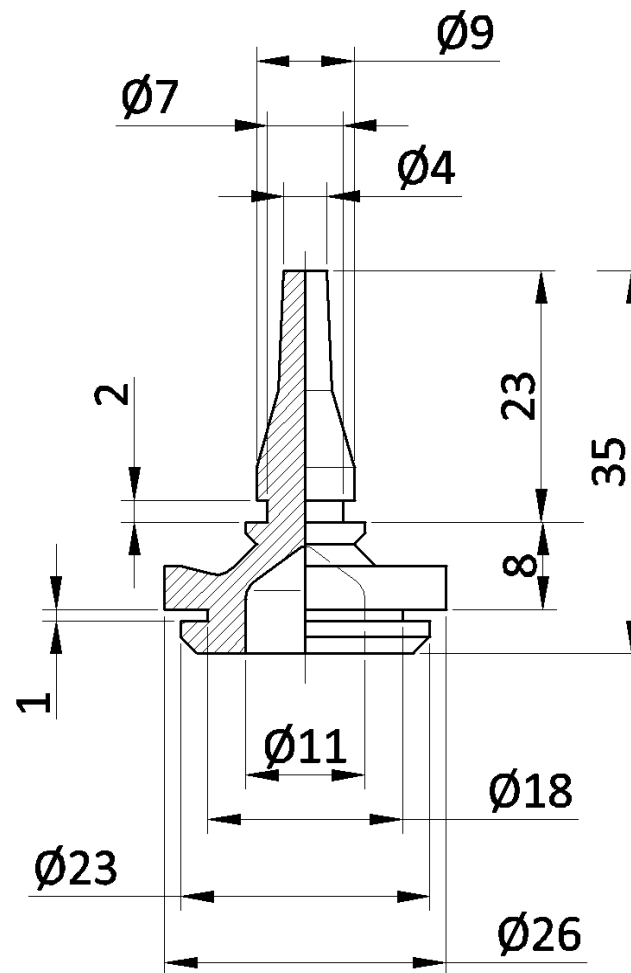


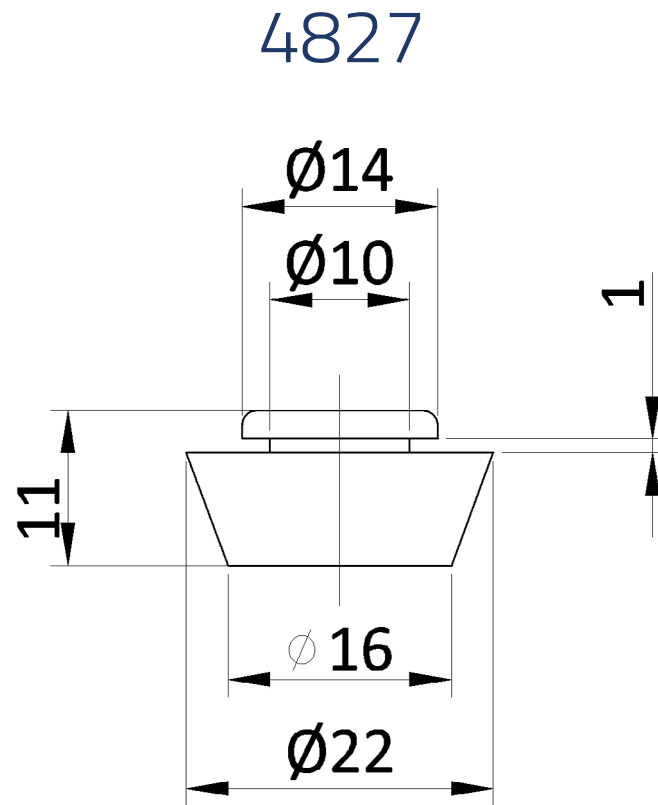
[<< Back to all TYPES](#)



[<< Back to all TYPES](#)

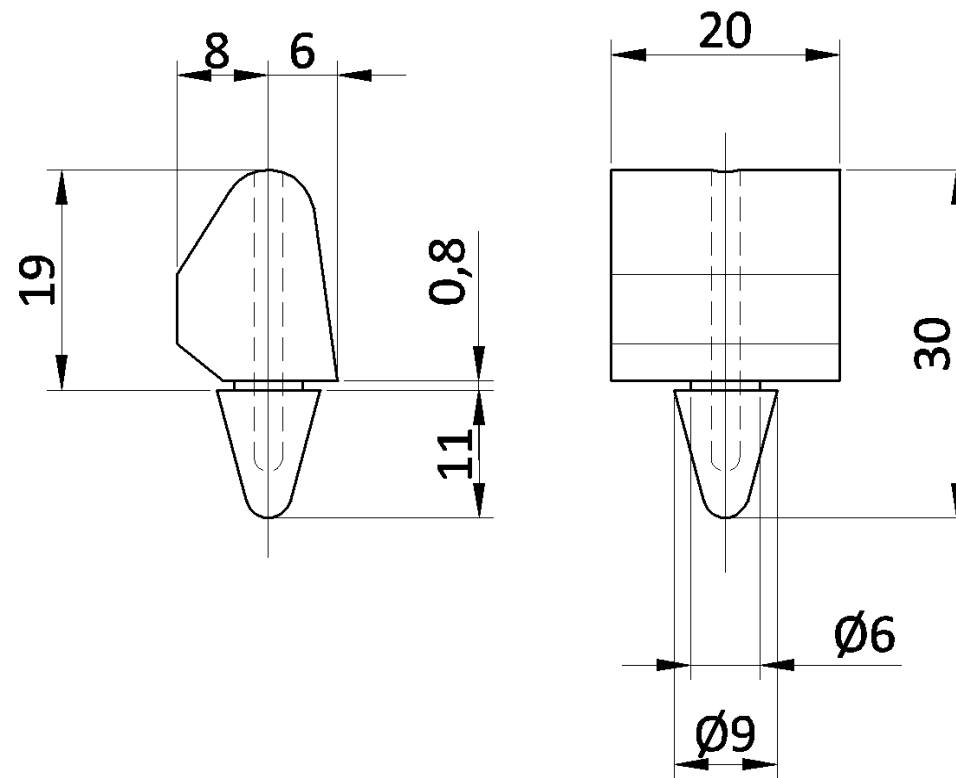
7357

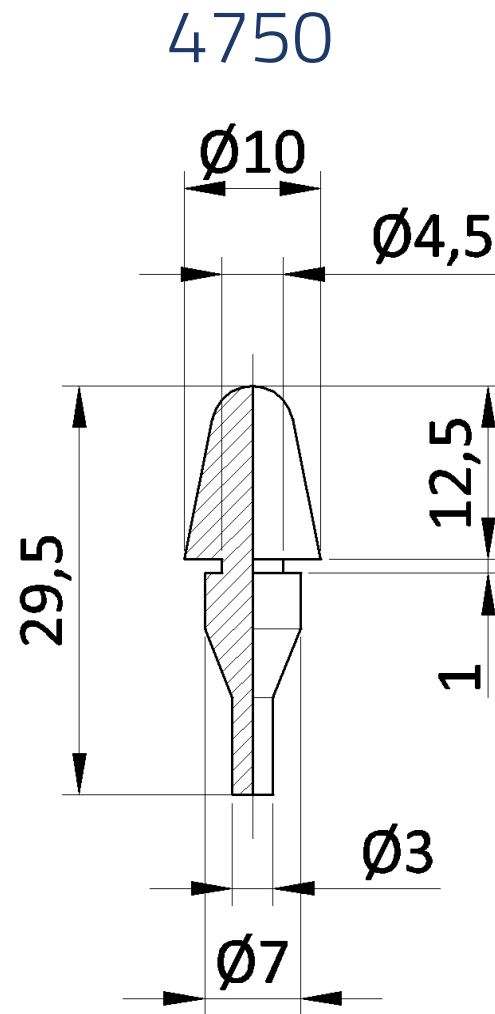


[<< Back to all TYPES](#)

[<< Back to all TYPES](#)

4287



[<< Back to all TYPES](#)

[<< Back to all TYPES](#)

7199

