



sapat

Production of rubber and silicone items since 1942

CATALOGUE 2024



TECHNICAL **RUBBER** PRODUCTS:
A STORY RENEWED OVER TIME

Sapat, a company based in Turin and active since 1942, manufactures products and technical parts in rubber and silicone for the automotive, earthmoving equipment, tractor, forklift truck, pneumatic, hydraulic, food, filter, electronic and design sectors.

Certified, high-quality raw materials

The products made by Sapat according to drawing follow customers' precise design specifications, ensuring high-quality performance thanks to the company's high level of specialisation and versatility.

The materials used - mainly NR, NBR, HNBR, SBR, NEOPRENE, EPDM, VITON and SILICONE - are sourced from certified companies specialized according to the product type.

The high-quality rubber components manufactured by Sapat provide maximum sealing, resistance, and durability for the customer.

Quality Certification

Sapat's manufacturing process was certified in 2001 with the approval of the Quality Management System according to the UNI EN ISO 9001:2015 standard, under Accredia registration number 2023-A.

Conformity checks, according to customer specifications, are carried out using the laboratory instruments within the company.

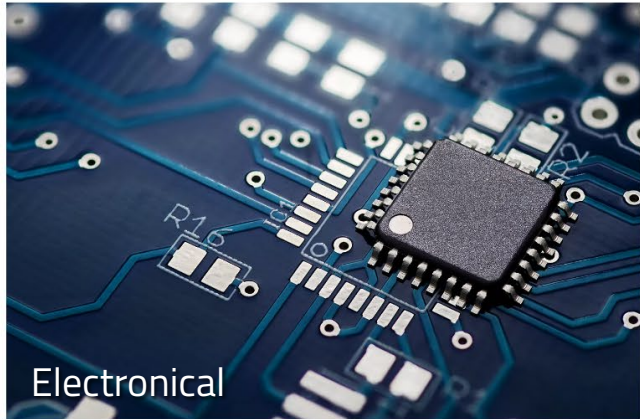
The high-quality standards, combined with the customisation of products and flexibility in terms of produced quantities and manufacturing times, have enabled Sapat to count among their customers several major companies in the automotive sector across Italy, Europe, and South America.



Electrical



Food & Beverage



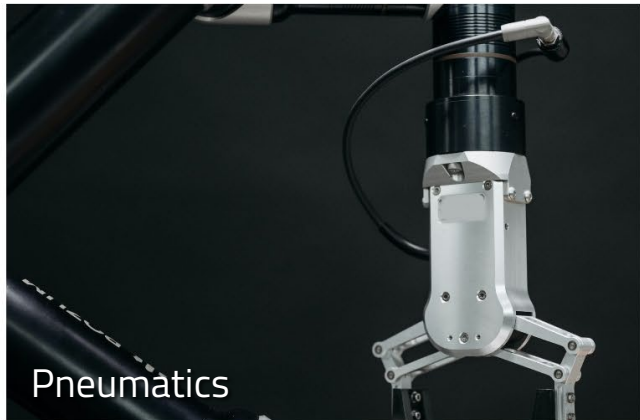
Electronical



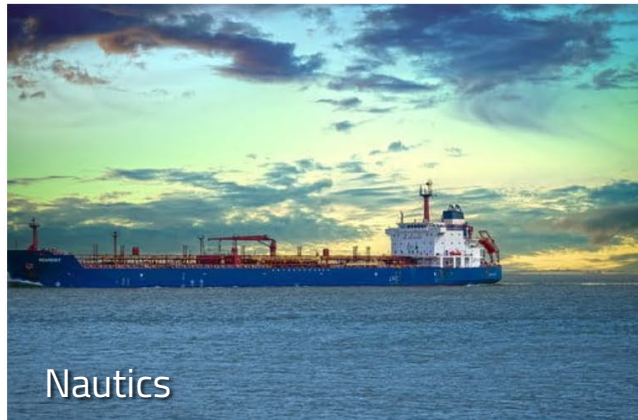
Earthmoving equipment



Automotive



Pneumatics



Nautics



Design

Index

Double lip seals

Cup seals

Collar seals

Caps

Connections & Junctions

O-Rings

Convex sleeves

Bumpers

Square O-rings and washers

Grommets

Special Grommets | Cases

Bellows

Plugs

O-rings for brakes

Pads

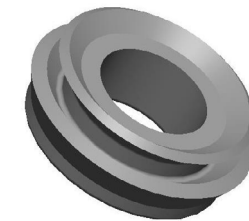
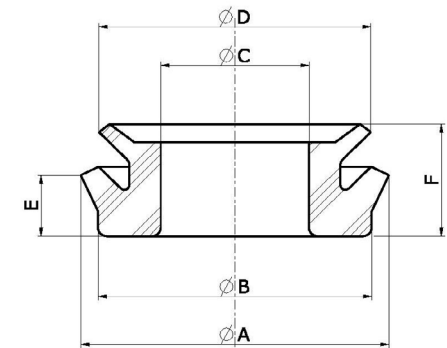
Bushes



Double lip seals



A	B	C	D	E	F	SAPAT Code
17.2	15.3	8.6	14.6	2.8	6.2	5372
18.7	16.6	9	16.5	3.7	6.8	5551
20	18.2	10.8	17	3.9	6.8	5240
21	20	12	18.5	4.4	6.8	5380
22	19.5	11.5	18.2	4	6.6	5494
22.8	21	11.5	11.9	4.3	5.3	5549/1
23.2	21.5	13.5	19.8	4.3	6.8	5518
25.2	23	15.5	21.5	4.6	6.6	5474
26.4	24.7	16.4	22.5	4	8	5538
26.7	24.8	16.6	23.1	4.6	6.9	5228
28	25.4	17	24.5	4.7	7.4	5047
30	28.3	16.3	22	7.2	8.1	5475
33.3	31	21.5	29.5	4.5	7.8	5311
36.05	34	24.75	31.75	5	8	5346
39.4	36.4	27.4	36.9	-	8.3	5562
43	-	28.6	-	6	10.5	5467
45.8	43.4	31.3	40.3	6.3	10.4	5378
53.8	50	38	45.6	7	10.5	5338



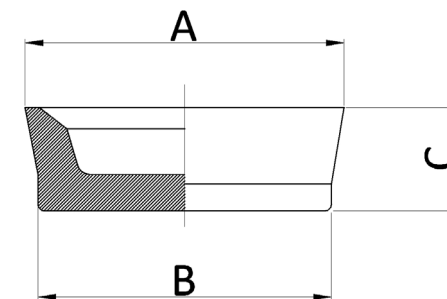
Cup seals



Cup seals

NOMINAL Ø		SAPAT Code	A	B	C
$\frac{9}{16}$ "	14,28	5174	Ø 15,4	Ø 13,7	6,5
$\frac{5}{8}$ "	15,87	5470	Ø 17,7	Ø 15,5	7,3
$\frac{11}{16}$ "	17,46	5469	Ø 19,1	Ø 16,8	7,1
$\frac{3}{4}$ "	19,05	5557	Ø 20,8	Ø 18,7	7,2
$\frac{13}{16}$ "	20,63	5529	Ø 21,8	Ø 20	8
$\frac{7}{8}$ "	22,22	5510	Ø 23,8	Ø 21,7	7,8
$1\frac{5}{16}$ "	23,81	5358	Ø 25,4	Ø 23,2	7,5
1 "	25,4	5541	Ø 26,7	Ø 24,8	8
$1\frac{1}{16}$ "	26,98	5312	Ø 28,5	Ø 26,5	7,6
$1\frac{3}{32}$ "	27,78	5491	Ø 29	Ø 27,2	8
$1\frac{1}{8}$ "	28,57	5336	Ø 30,4	Ø 28,2	7,8
$1\frac{3}{16}$ "	30,16	5442	Ø 31,6	Ø 29,7	8
$1\frac{1}{4}$ "	31,76	5316	Ø 33	Ø 31	8,2
$1\frac{5}{16}$ "	33,33	5290	Ø 34,4	Ø 32,6	7,5
$1\frac{3}{8}$ "	34,92	5014	Ø 36,5	Ø 34,1	8,2
$1\frac{1}{2}$ "	38,1	5121	Ø 39,5	Ø 37,8	8,3
$1\frac{5}{8}$ "	41,27	5165	Ø 42,5	Ø 40,7	9,7
$1\frac{3}{4}$ "	44,45	5012	Ø 46,6	Ø 42,9	10
2 "	50,8	5179	Ø 53,3	Ø 49,7	11
2 "	50,8	5022	Ø 53,5	Ø 49,9	10
$2\frac{1}{8}$ "	53,97	5023	Ø 57	Ø 52,8	9,5
$2\frac{7}{32}$ "	56,75	5024	Ø 59,1	Ø 56	11,8
$2\frac{1}{4}$ "	57,1	5025	Ø 60,8	Ø 56,1	11,8
$2\frac{1}{2}$ "	63,05	5026	Ø 66,3	Ø 62,3	11,8

Consult the table ordered by increasing values of the outer diameter (Measure "A").



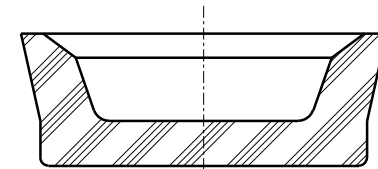
Discover DIFFERENT TYPES
of cup seals

[HERE](#)

TYPES OF CUP SEALS

Click on the SAPAT code or on the measure to view the quoted drawing.

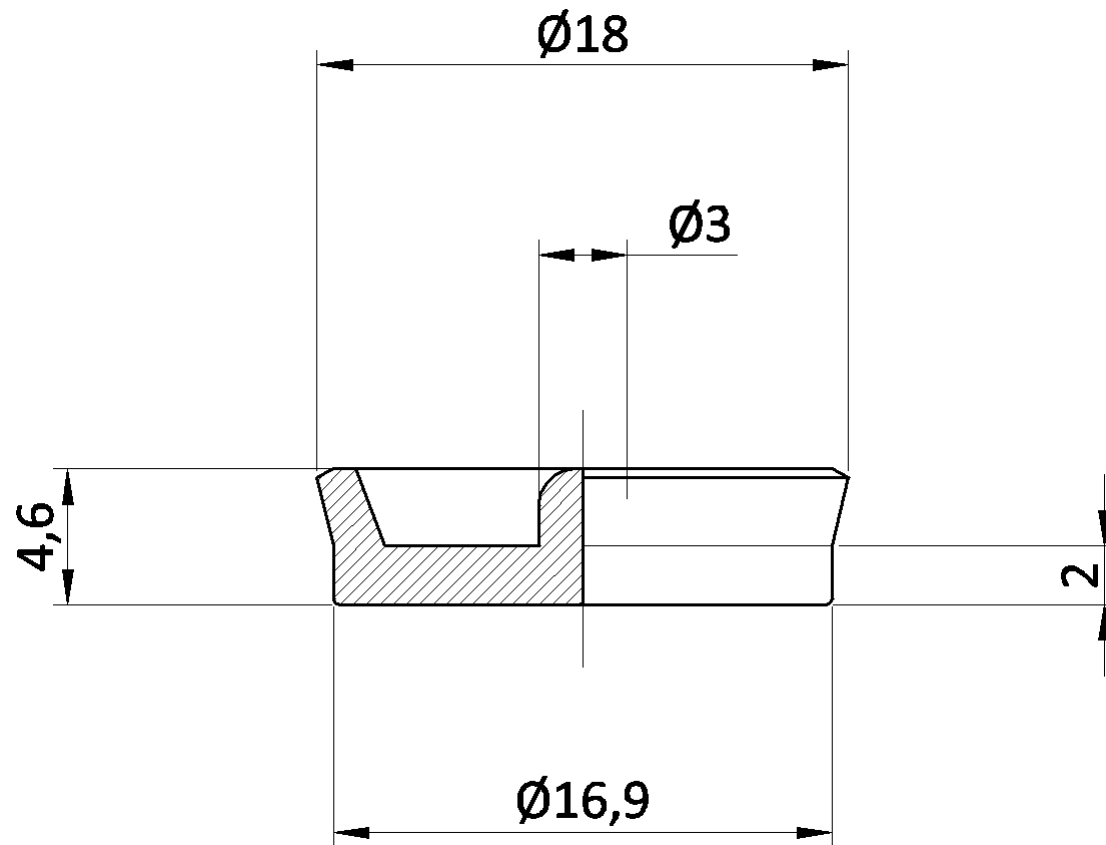
OUTER Ø	SAPAT Code
18	5356
19,8	5355
19,9	5153
20,2	5238
21,8	5156
23,3	5110
23,3	5124
26,5	5553
26,8	5525
30,4	5498
32,8	5289
45,6	5129
53,3	5043



Click on the first one in the list to browse all drawings.

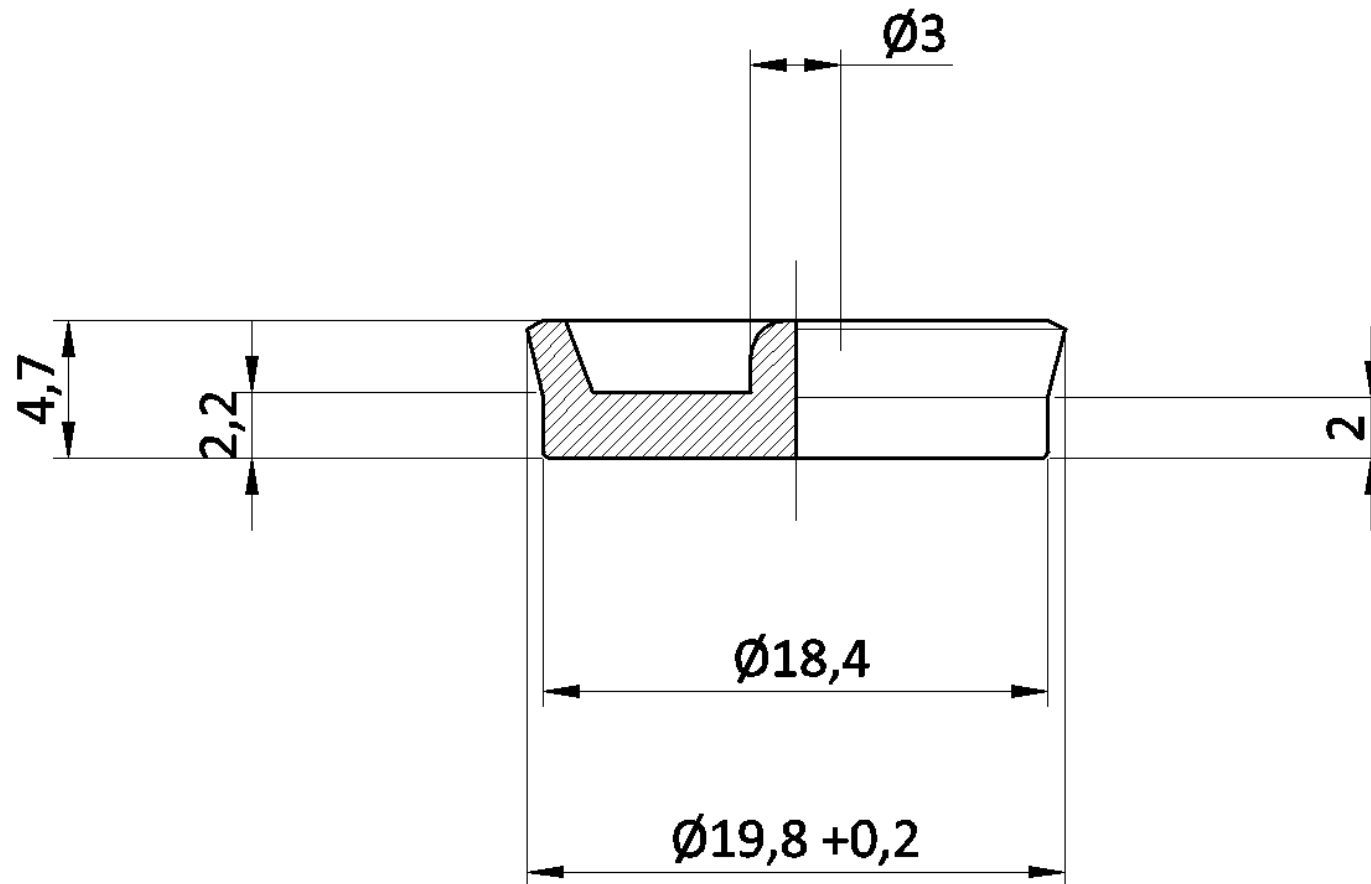
<< Back to all TYPES

5356



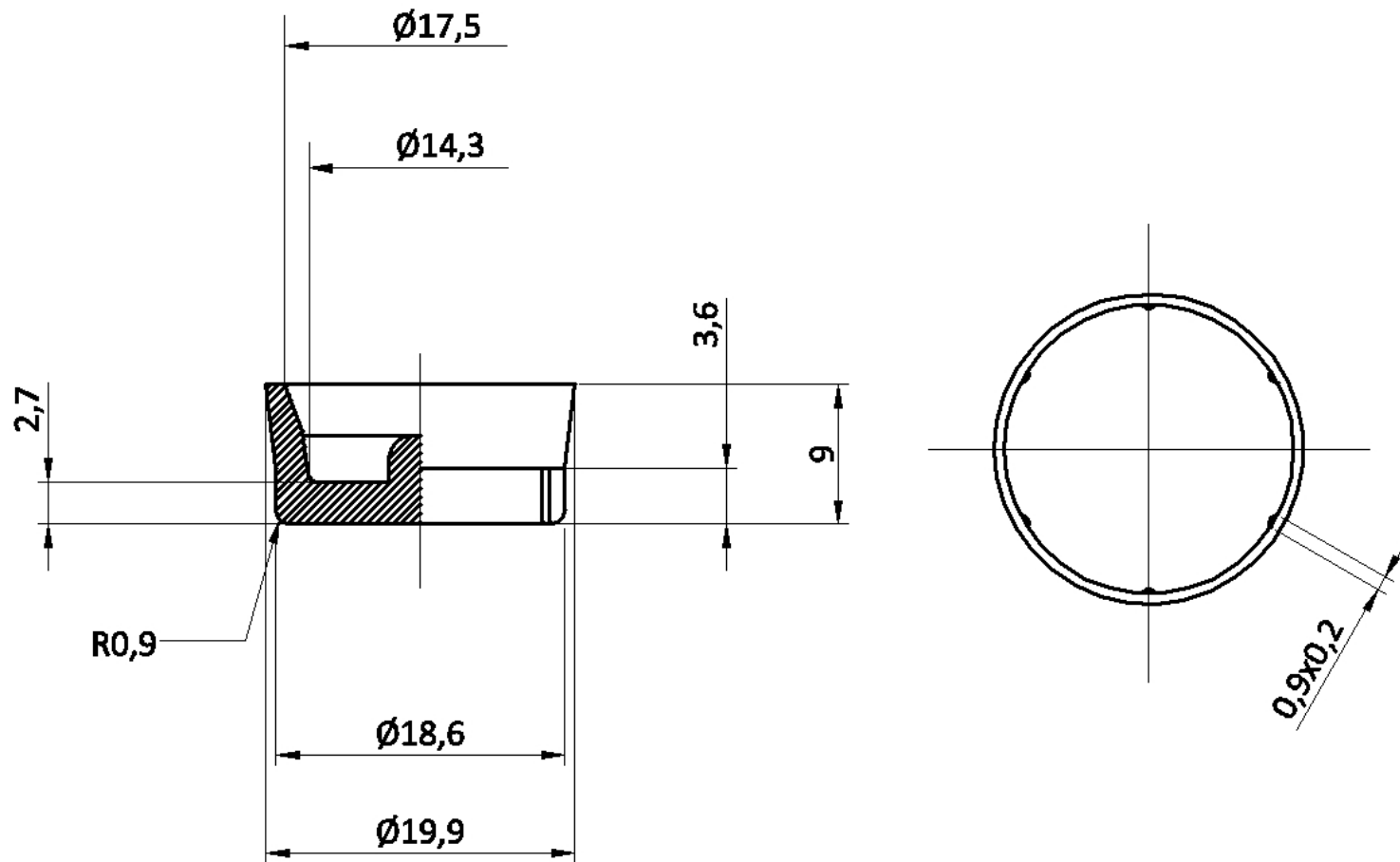
<< Back to all TYPES

5355



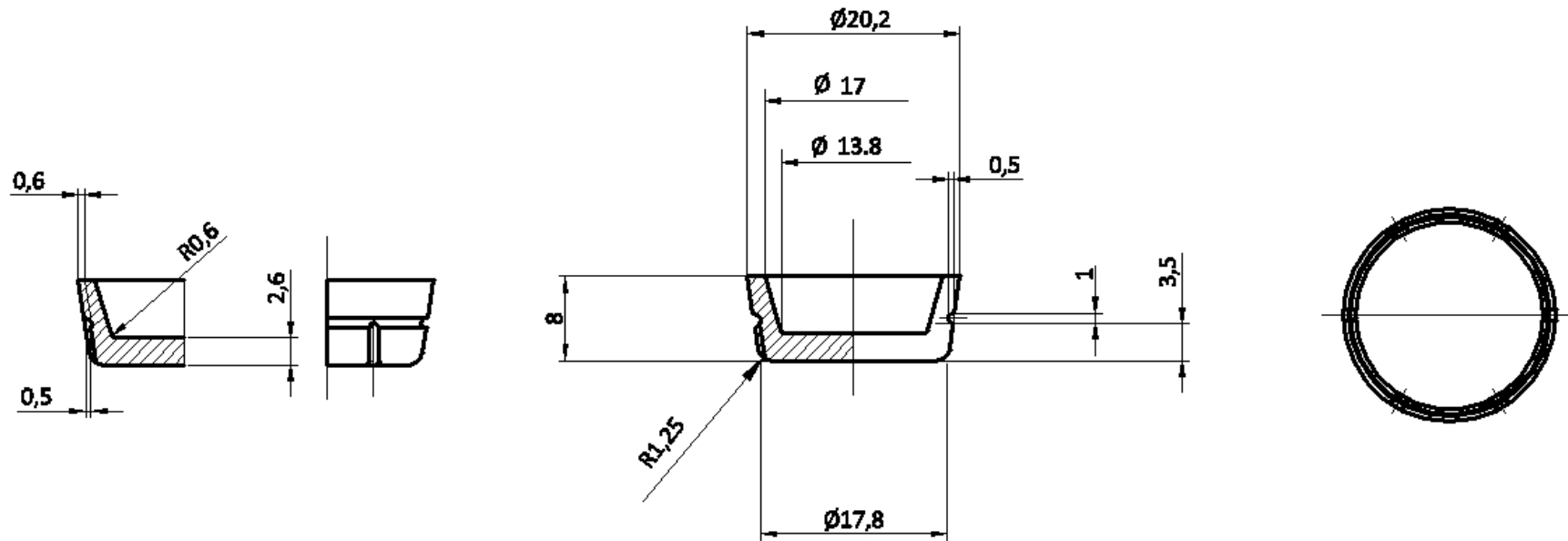
[<< Back to all TYPES](#)

5153



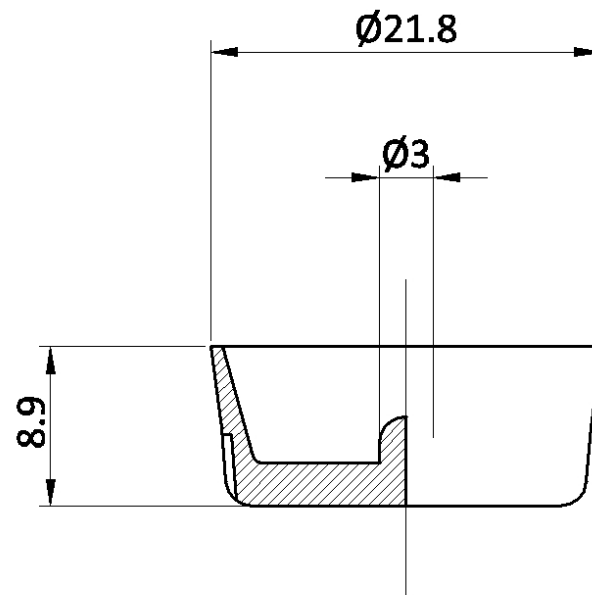
<< Back to all TYPES

5238



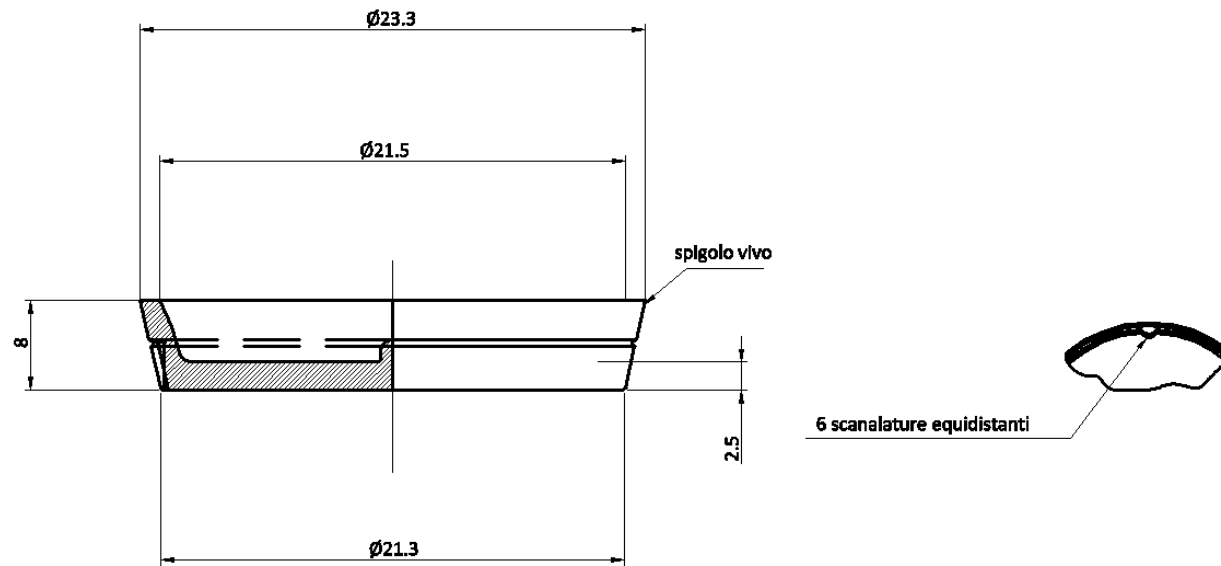
<< Back to all TYPES

5156



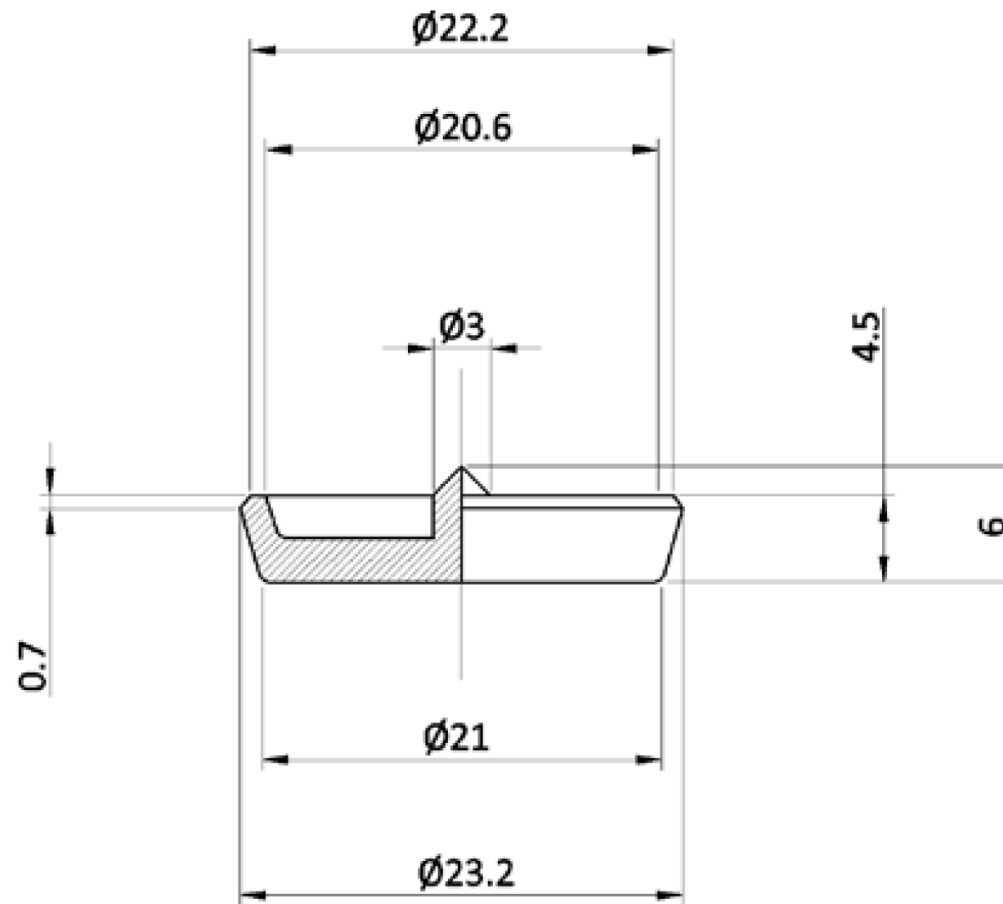
<< Back to all TYPES

5110



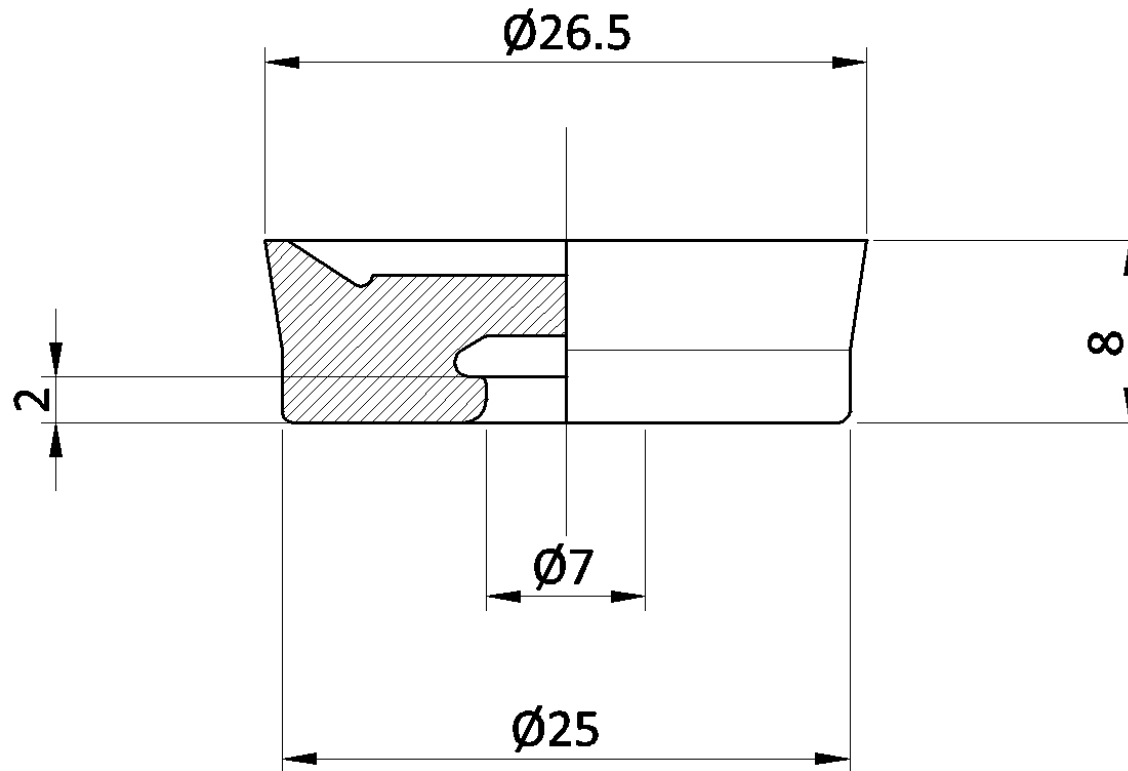
<< Back to all TYPES

5124



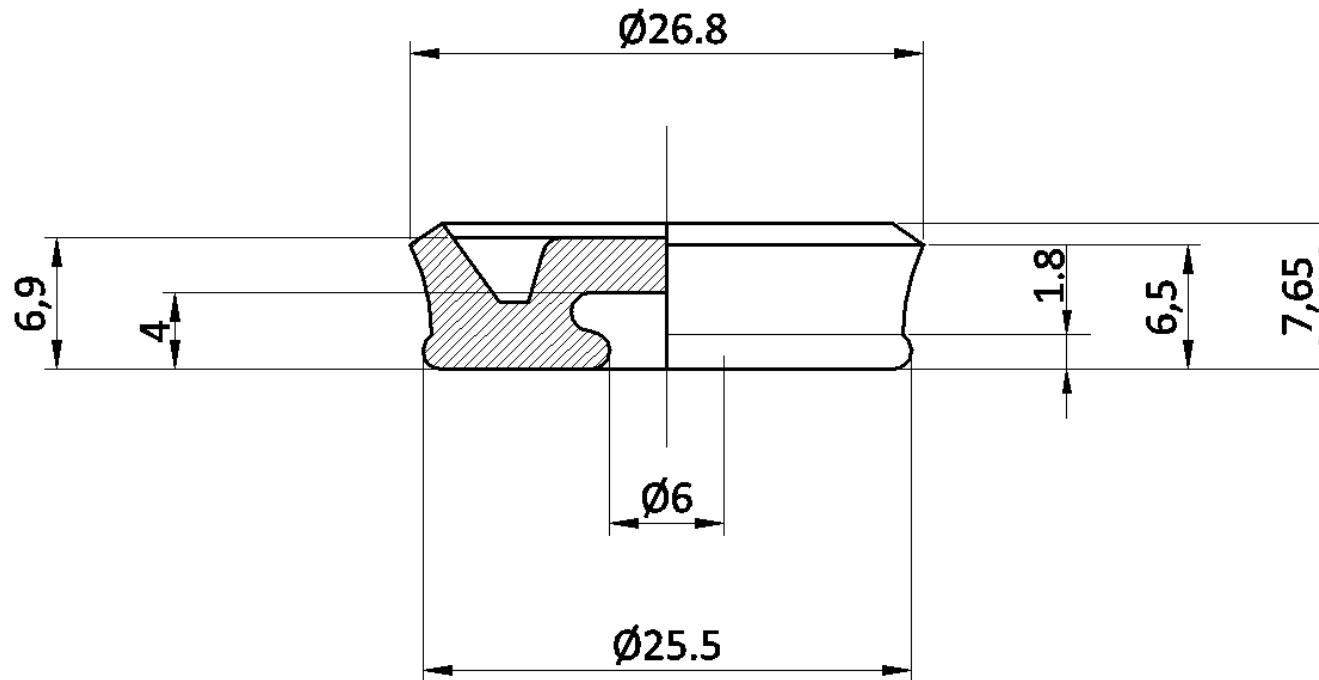
<< Back to all TYPES

5553



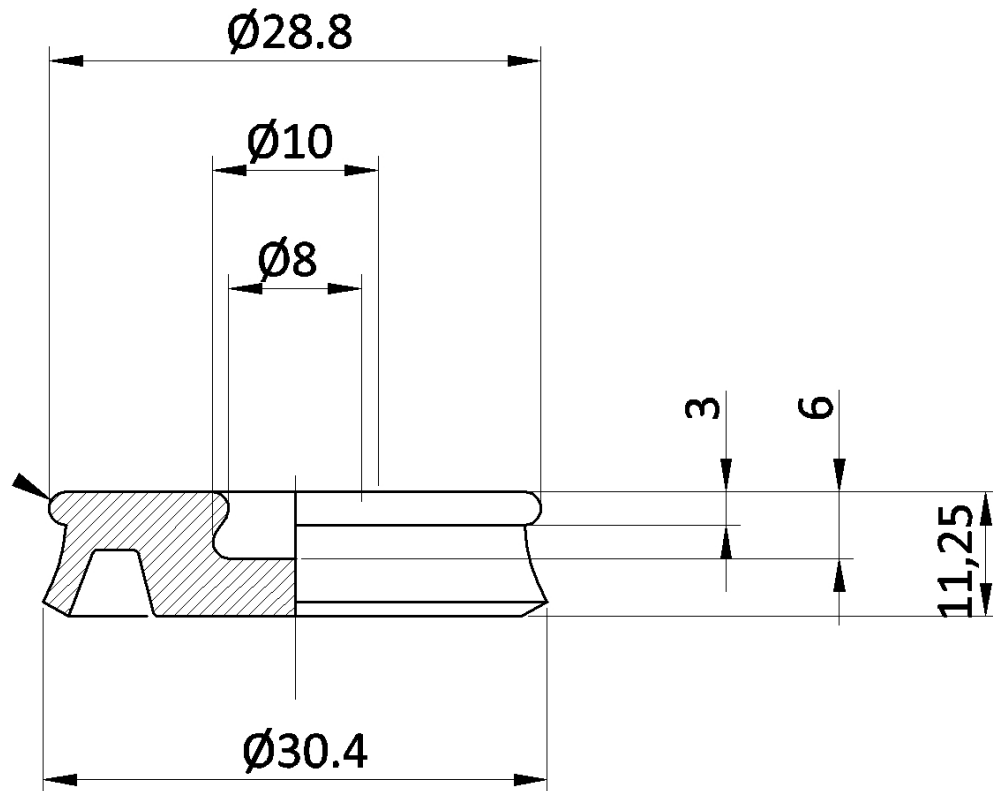
<< Back to all TYPES

5525



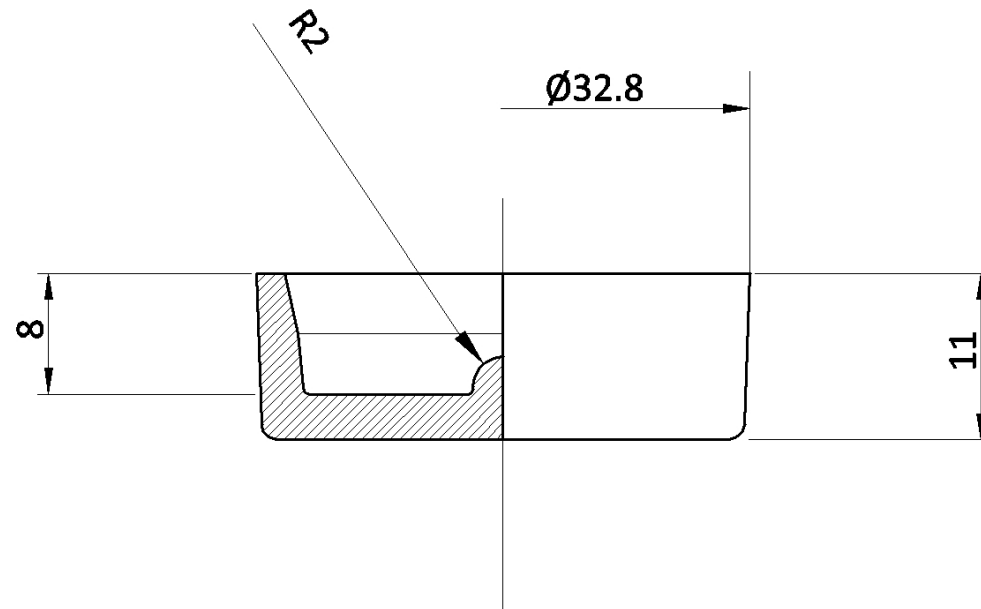
<< Back to all TYPES

5498



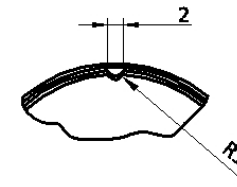
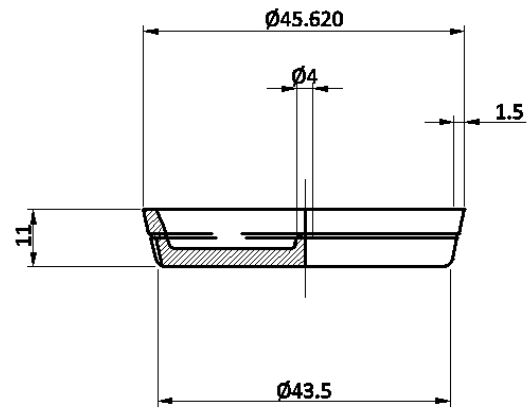
<< Back to all TYPES

5289

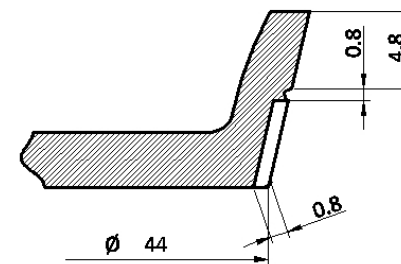
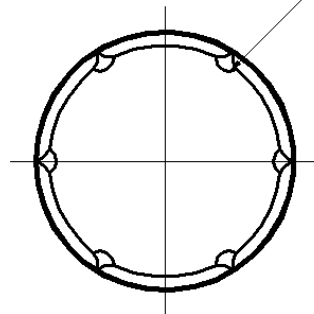


<< Back to all TYPES

5129

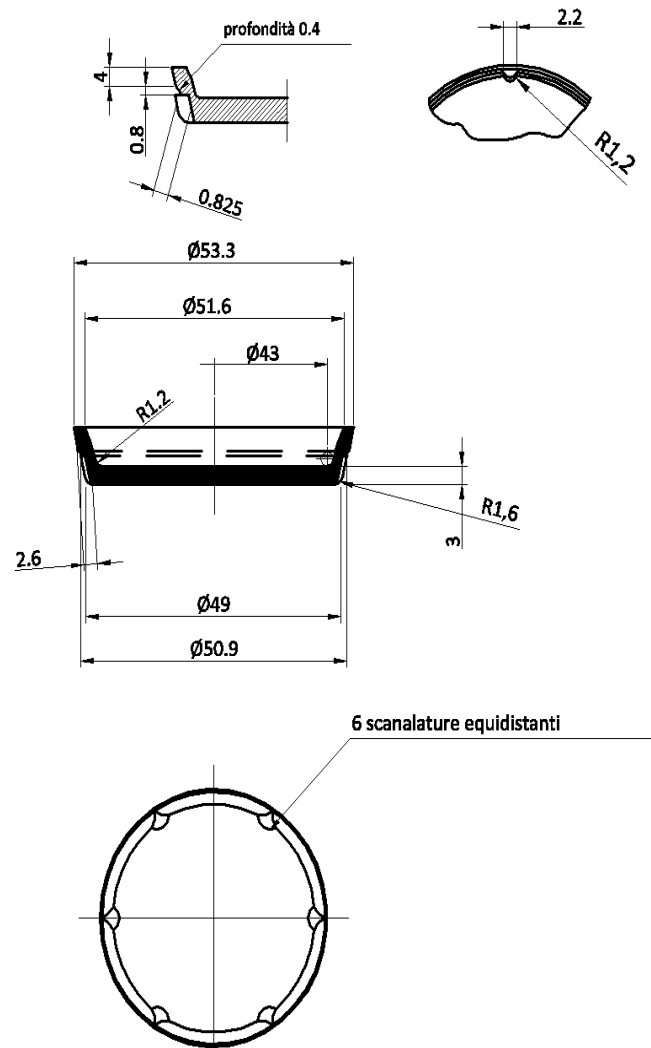


6 scanalature equidistanti



<< Back to all TYPES

5043



Collar seals



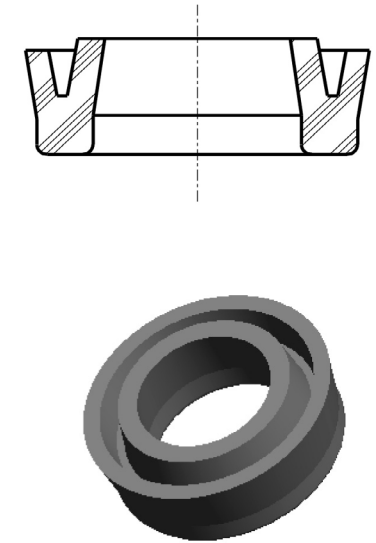
Click on the SAPAT code or on the measure to view the quoted drawing. Click on the first one in the list to browse all drawings.

1

OUTER Ø	SAPAT Code
13,8	5419
14,6	5486
15	5477
15,6	5473
16,5	5433
16,5	5472
16,8	5130
17,15	2879
18,4	5136
18,4	5476
18,5	5432
18,6	5308
18,65	5533
19	5418
19,75	5478
20	5517
20	5523
20,1	5532
21,2	5448
21,4	5480
21,4	5558
21,4	5559
21,5	5457
22,6	5549

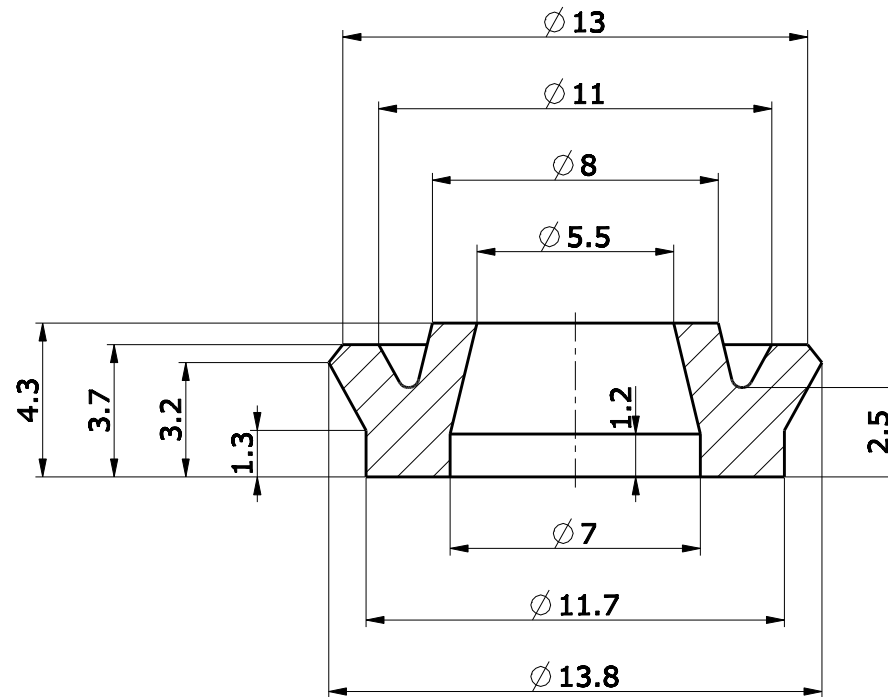
2

OUTER Ø	SAPAT Code
22,7	5466
22,7	5471
23	5119
23,8	5020
25,2	5118
25,7	5319
26,1	5506
26,2	5497
26,5	5034
26,7	5067
27,2	5318
27,6	5094
29	5407
30,8	5144
31,2	5194
32	5146
32,1	5488
33,4	5449
33,4	5487
34,2	5145
36,3	5537
36,8	5323
41,2	5504
49,6	5505



<< Back to all TYPES

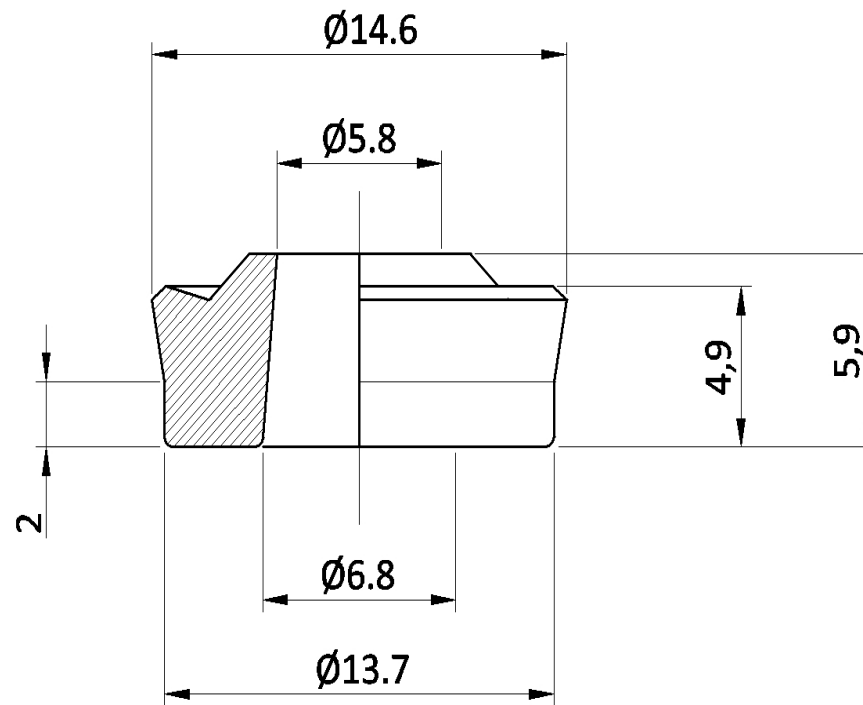
5419



SEZIONE A-A
SCALA 5.000

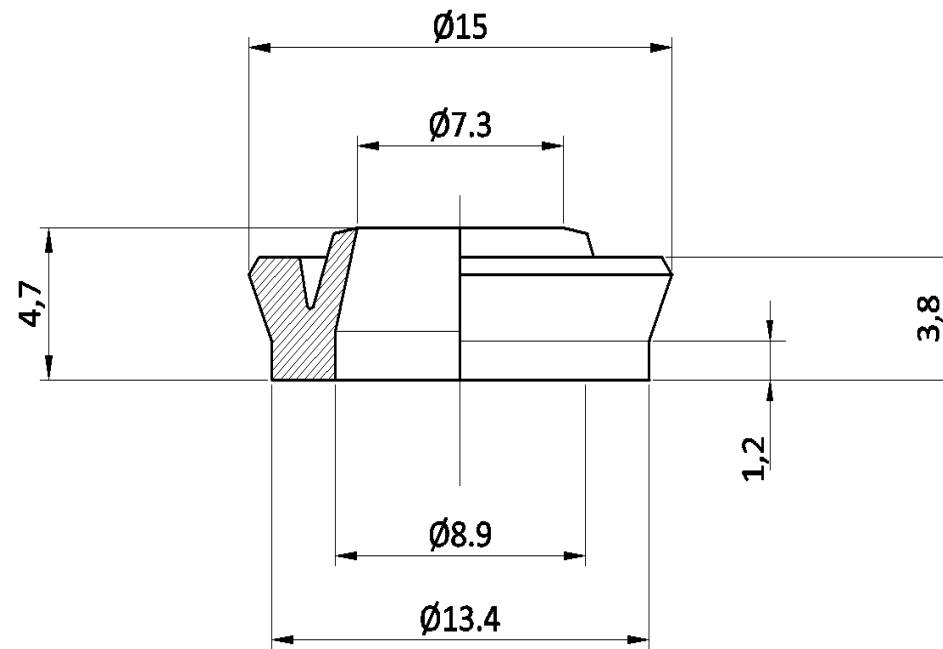
<< Back to all TYPES

5486



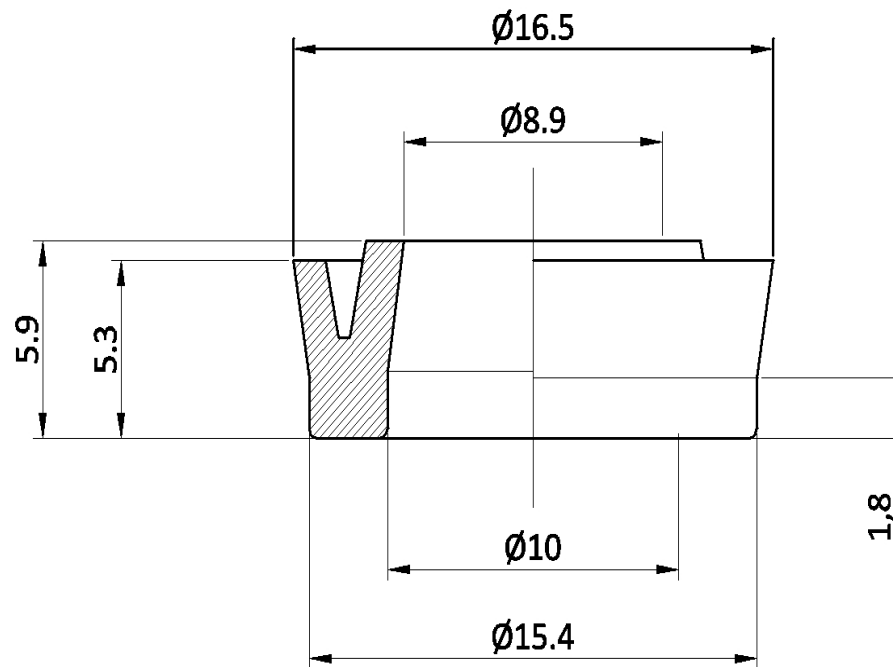
<< Back to all TYPES

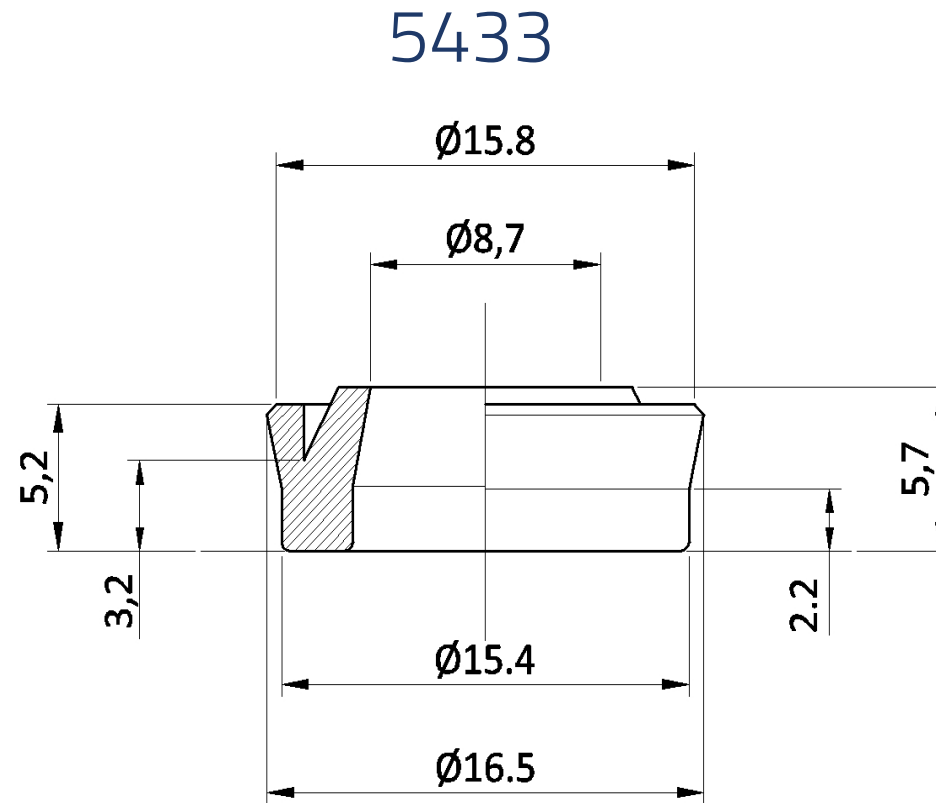
5477



<< Back to all TYPES

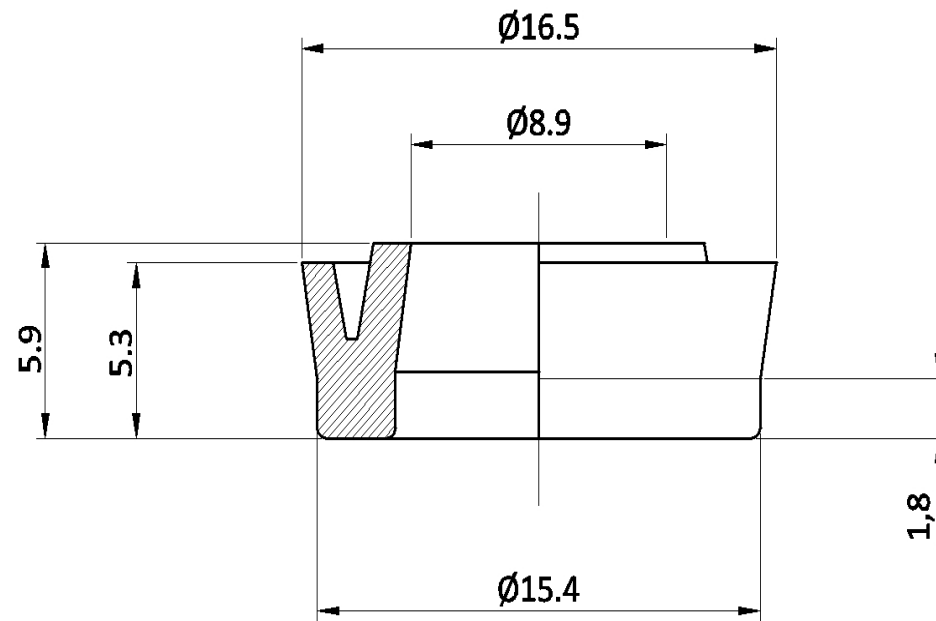
5473

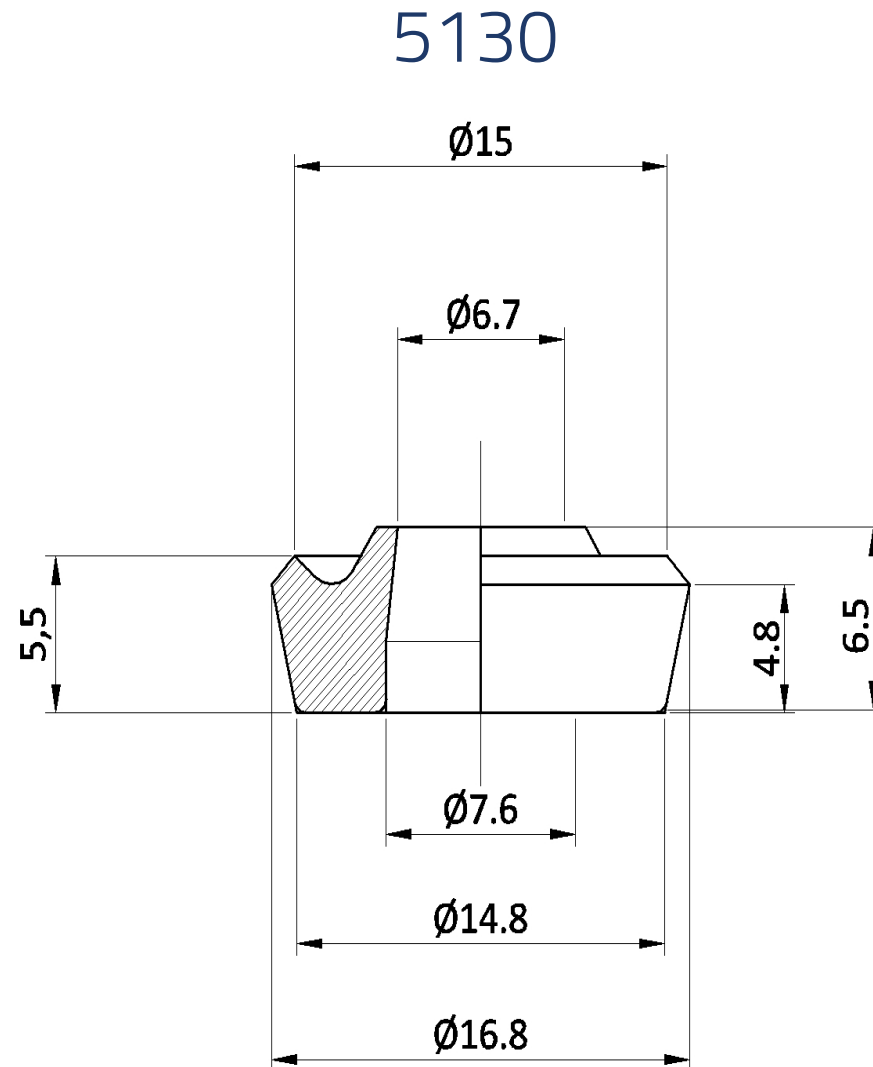


[<< Back to all TYPES](#)

<< Back to all TYPES

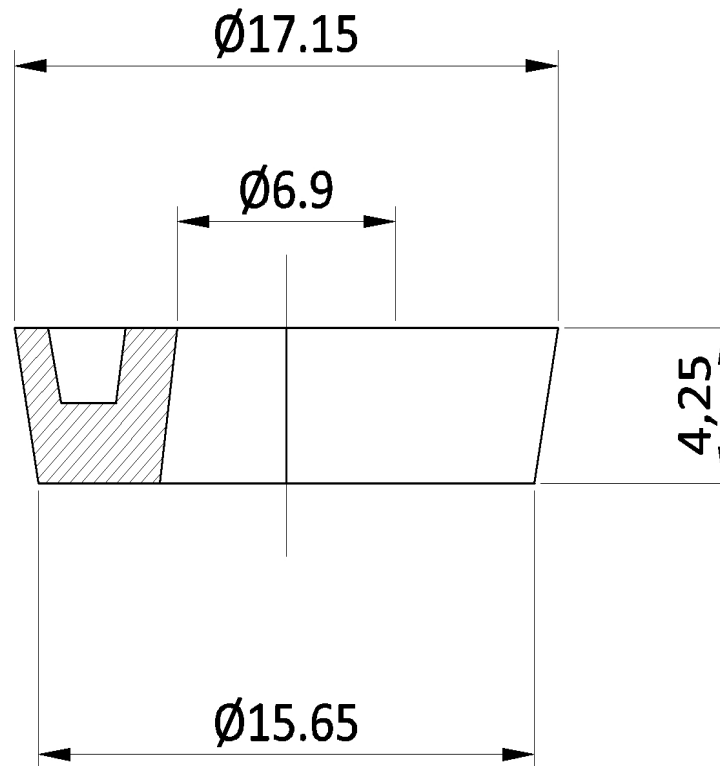
5472



[<< Back to all TYPES](#)

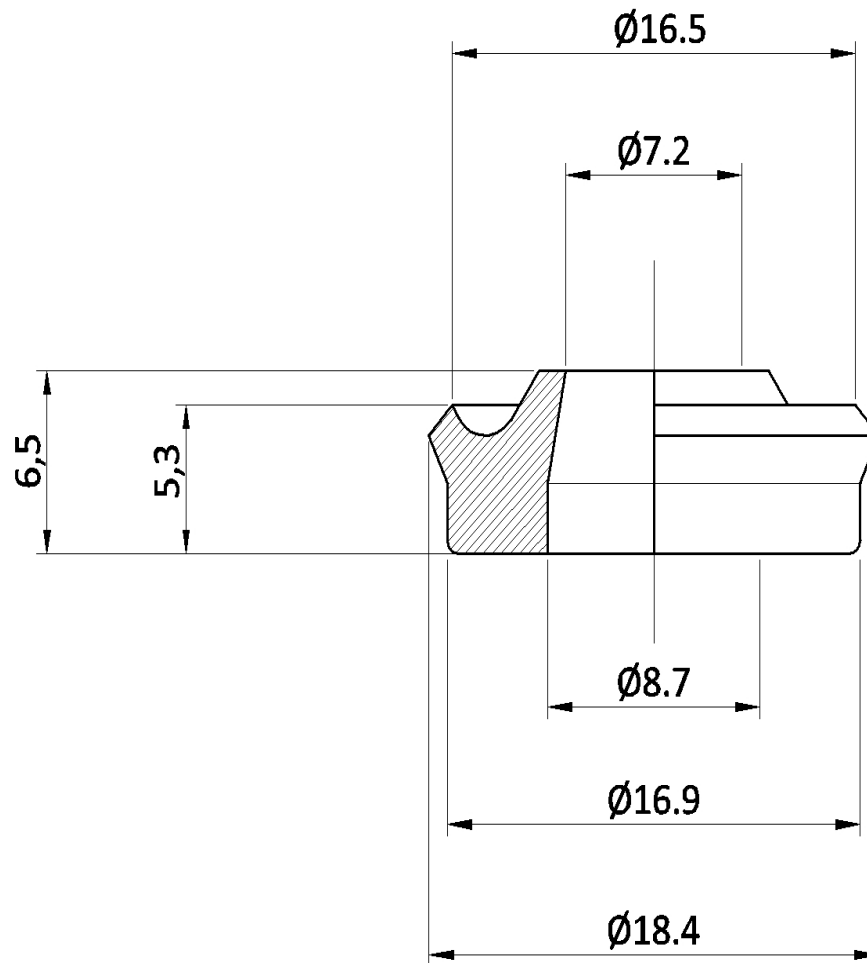
<< Back to all TYPES

2879



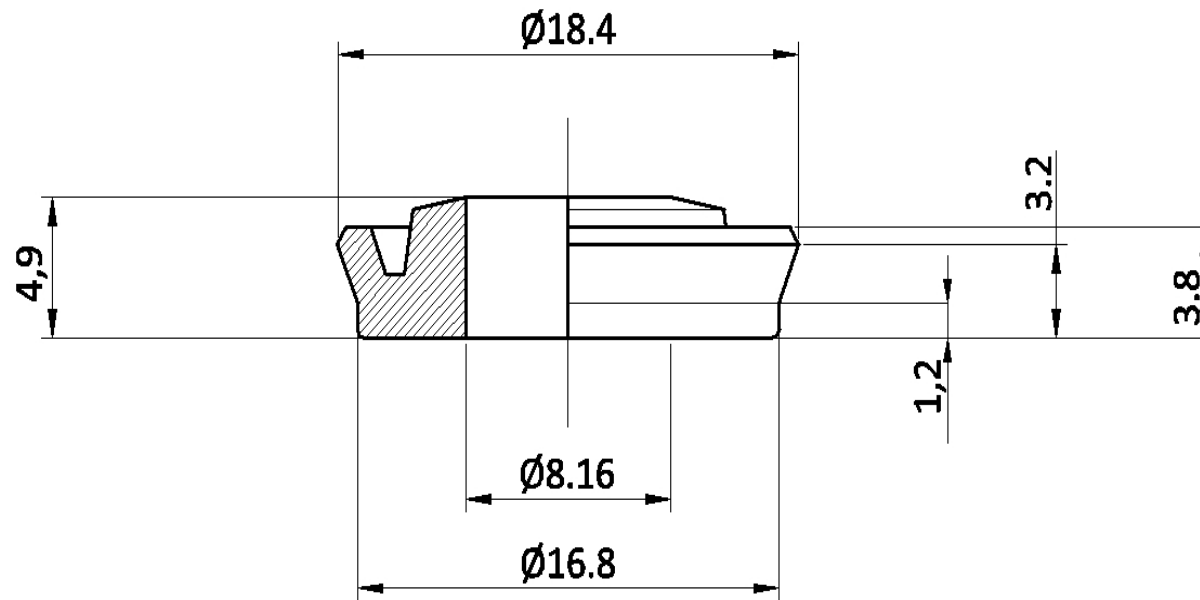
<< Back to all TYPES

5136



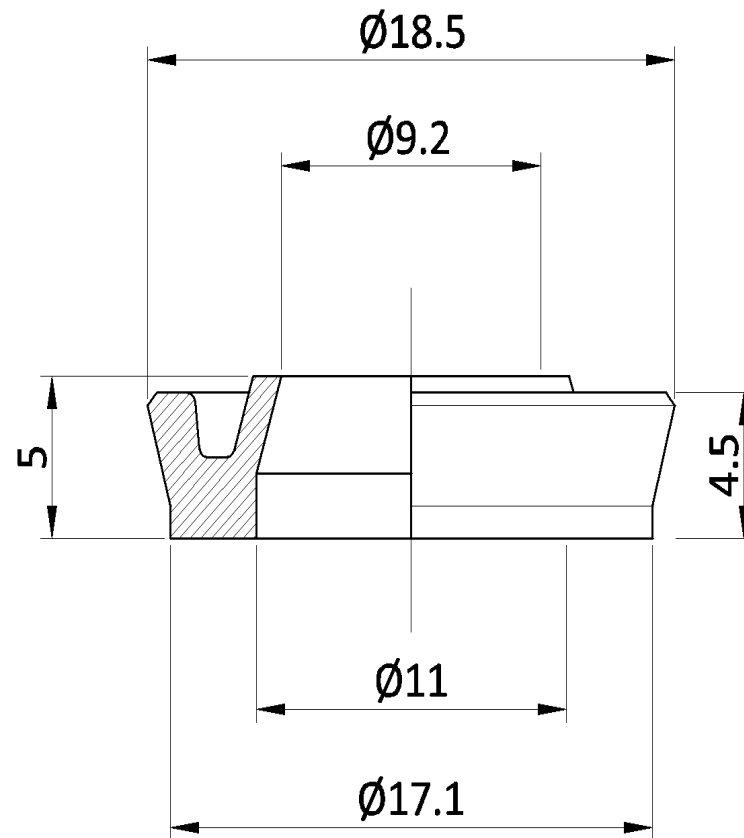
<< Back to all TYPES

5476



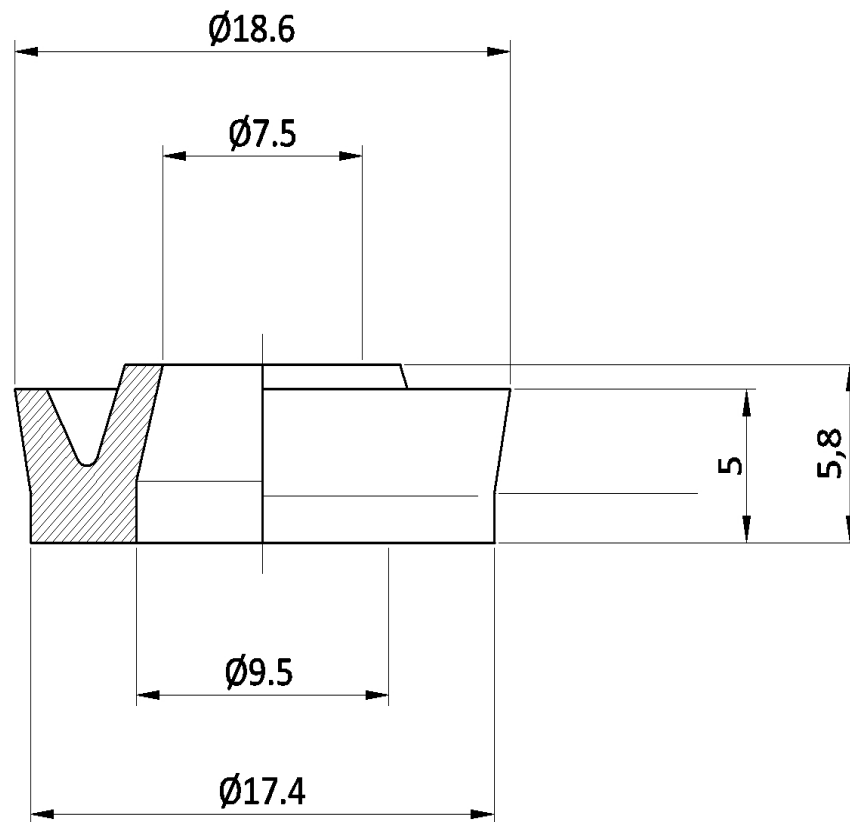
<< Back to all TYPES

5432



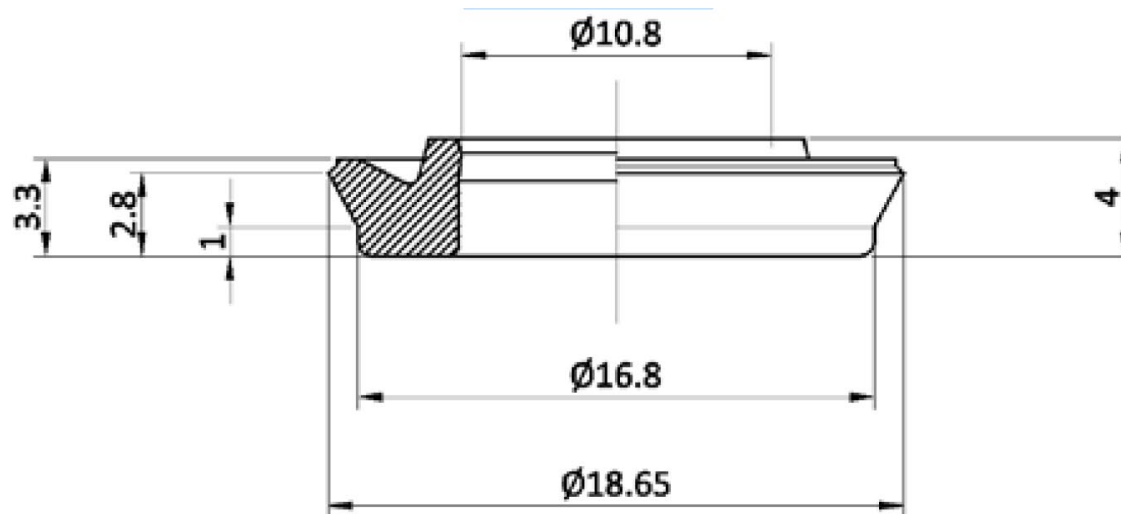
<< Back to all TYPES

5308



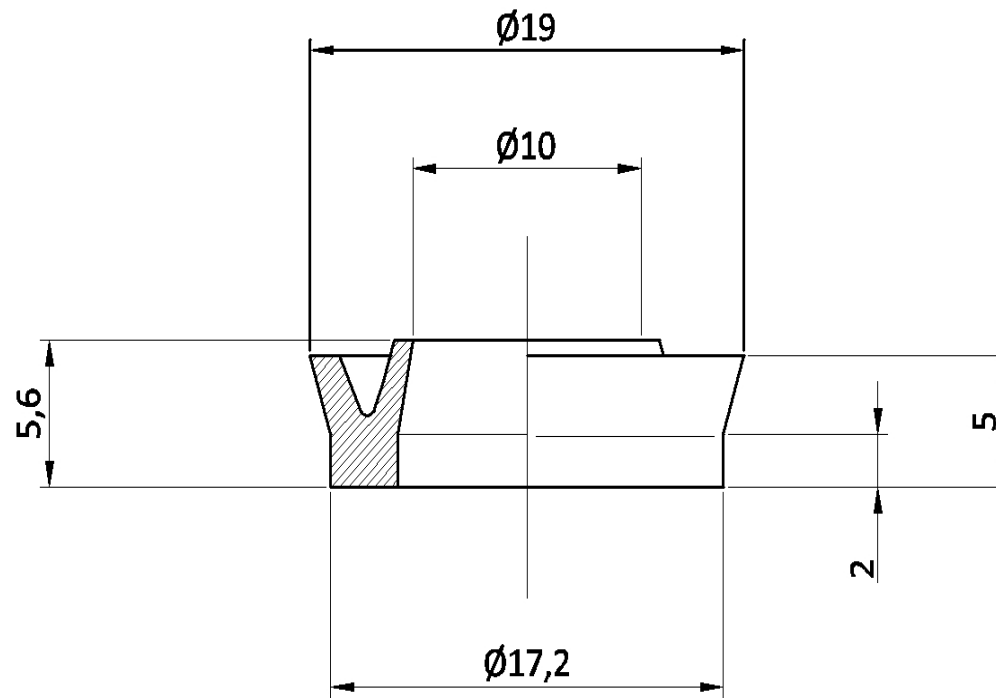
<< Back to all TYPES

5533



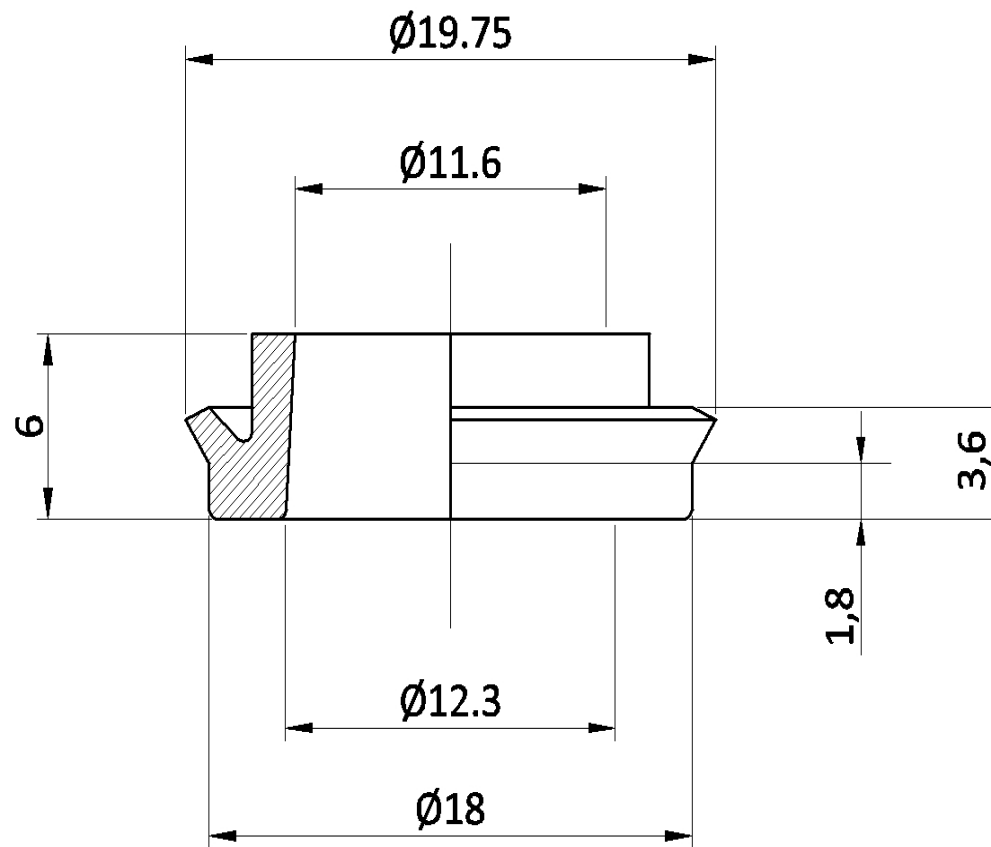
<< Back to all TYPES

5418



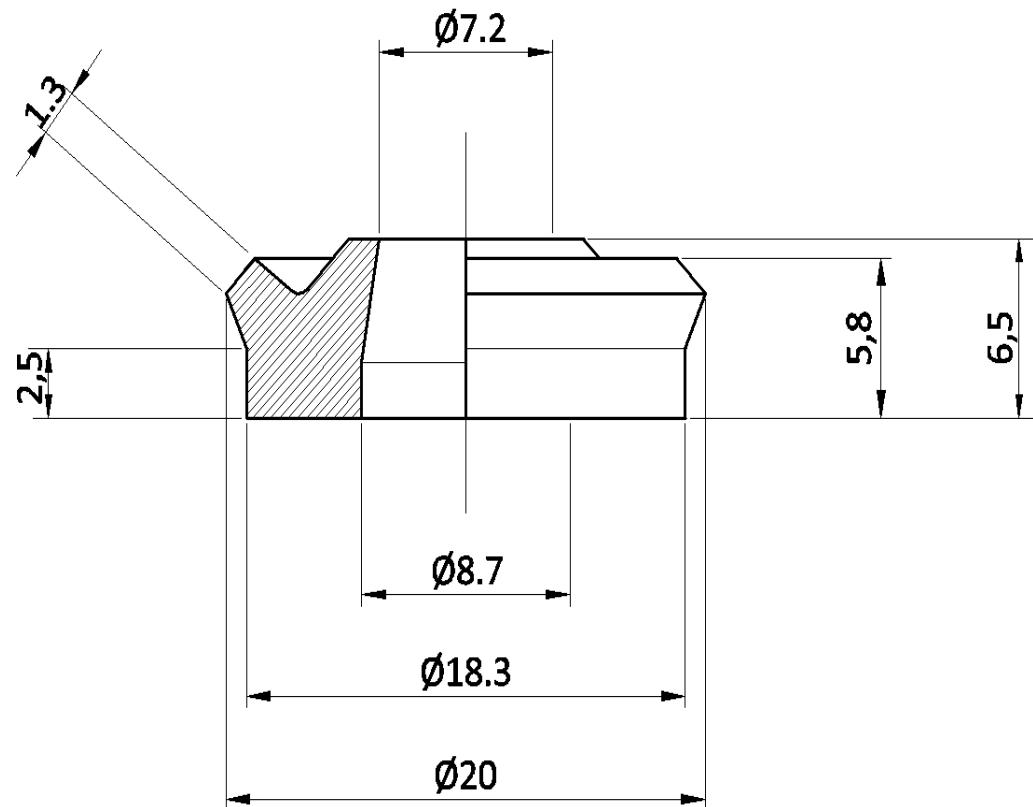
[<< Back to all TYPES](#)

5478



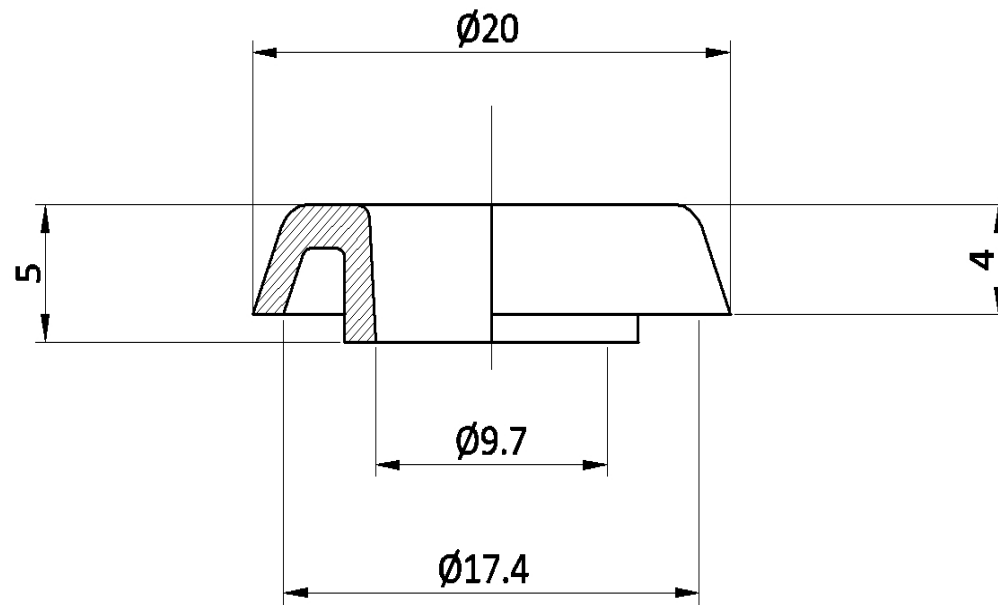
[<< Back to all TYPES](#)

5517



<< Back to all TYPES

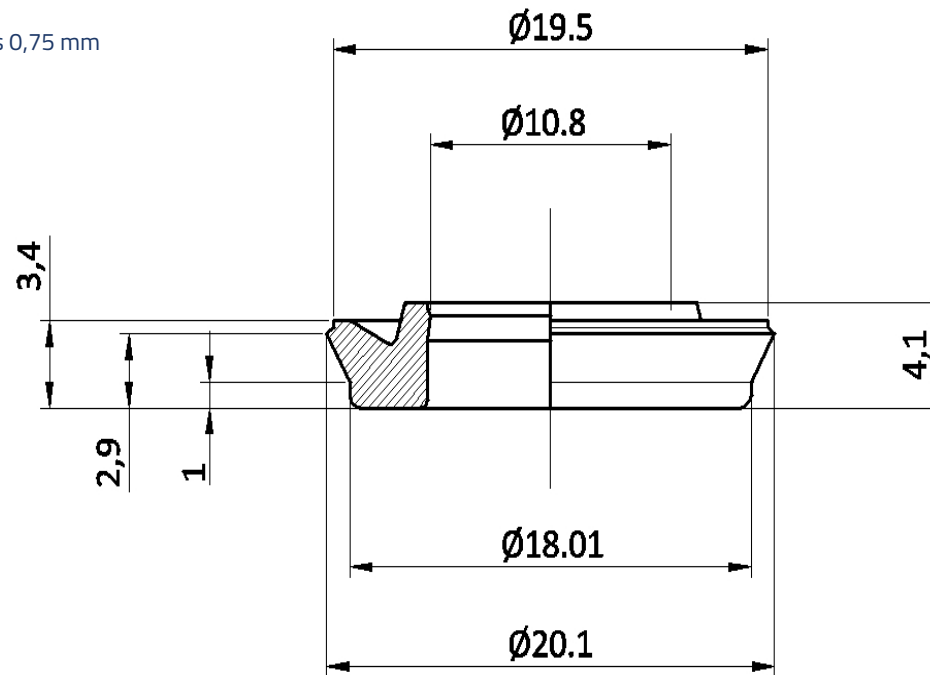
5523



[<< Back to all TYPES](#)

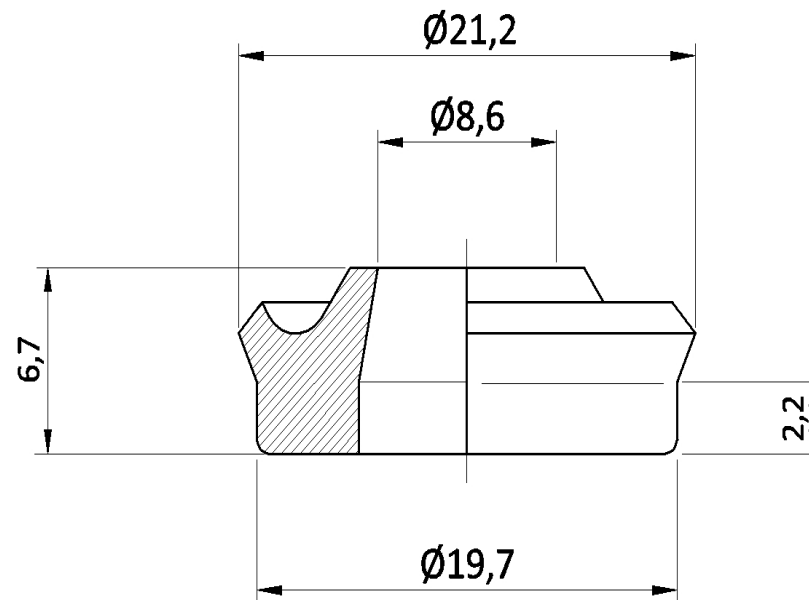
5532

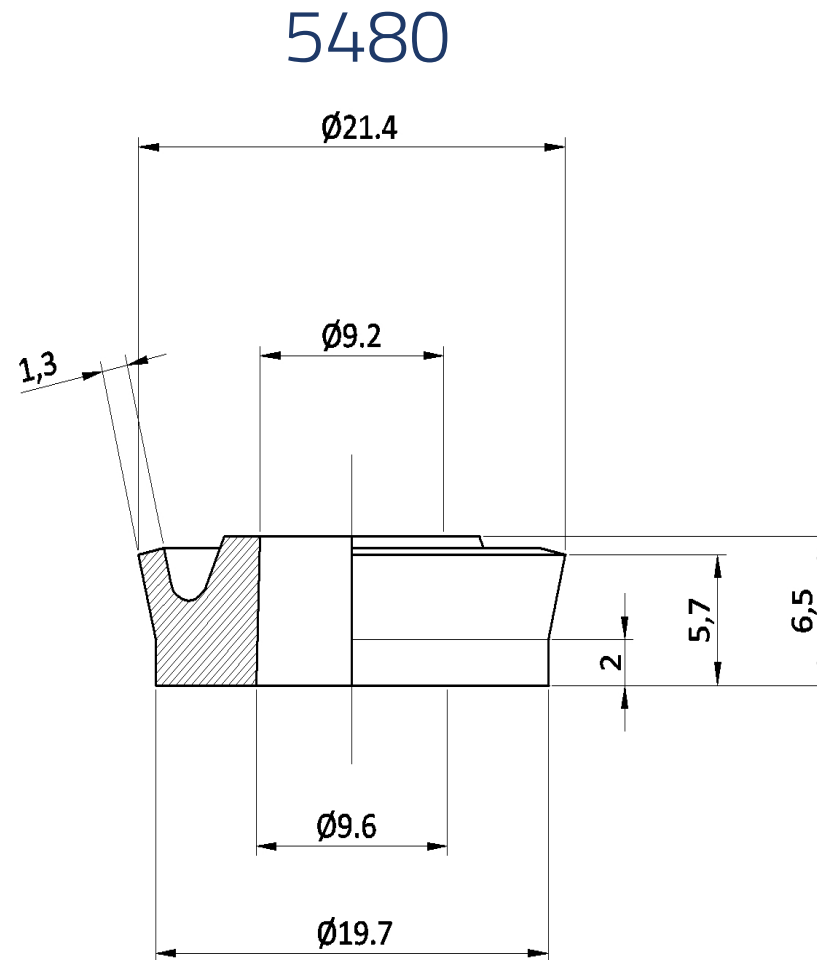
thickness 0,75 mm



<< Back to all TYPES

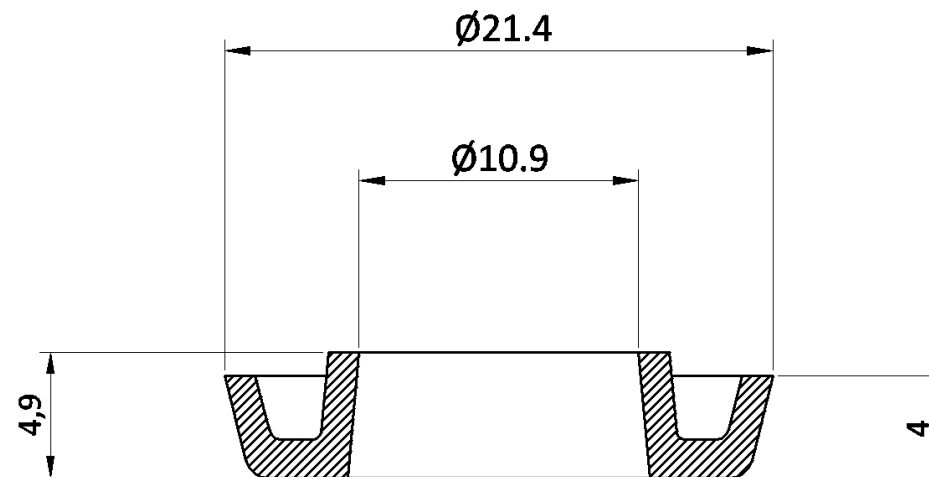
5448



[<< Back to all TYPES](#)

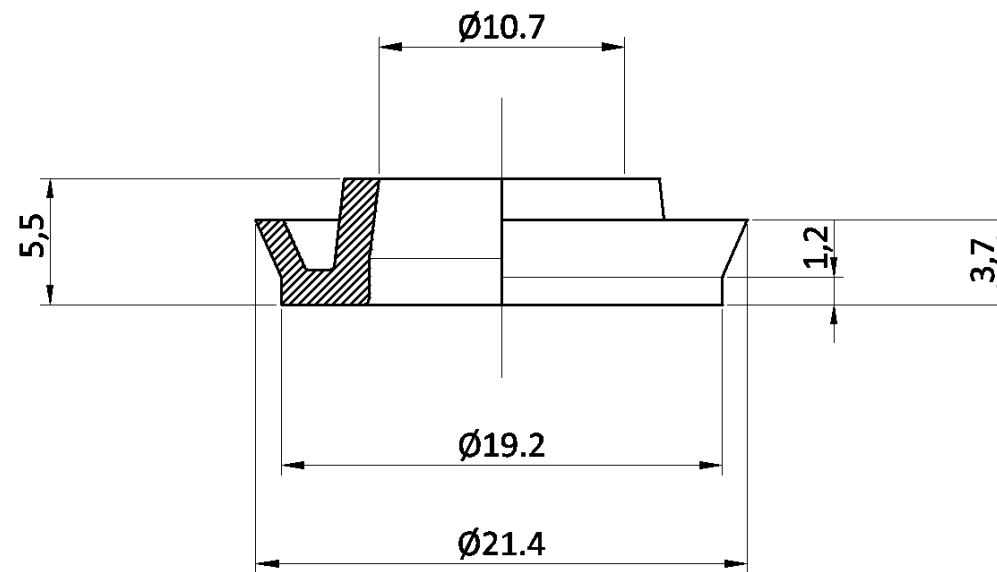
<< Back to all TYPES

5558



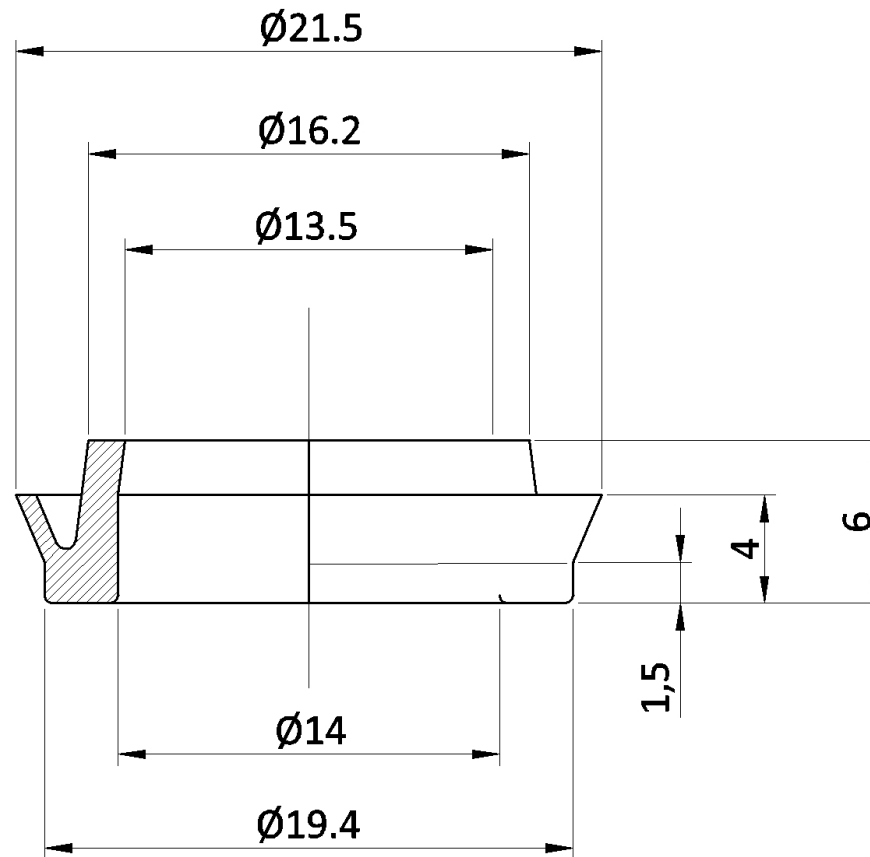
<< Back to all TYPES

5559



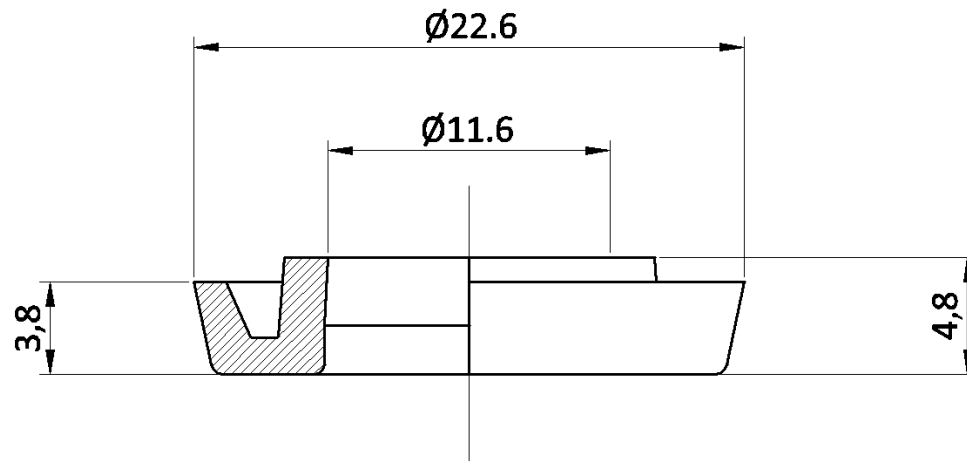
[<< Back to all TYPES](#)

5457



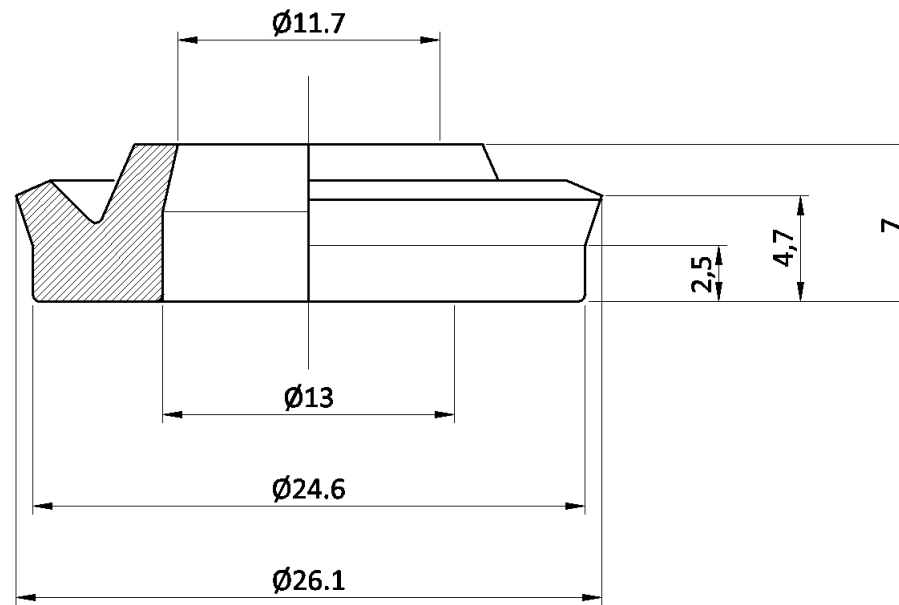
<< Back to all TYPES

5549



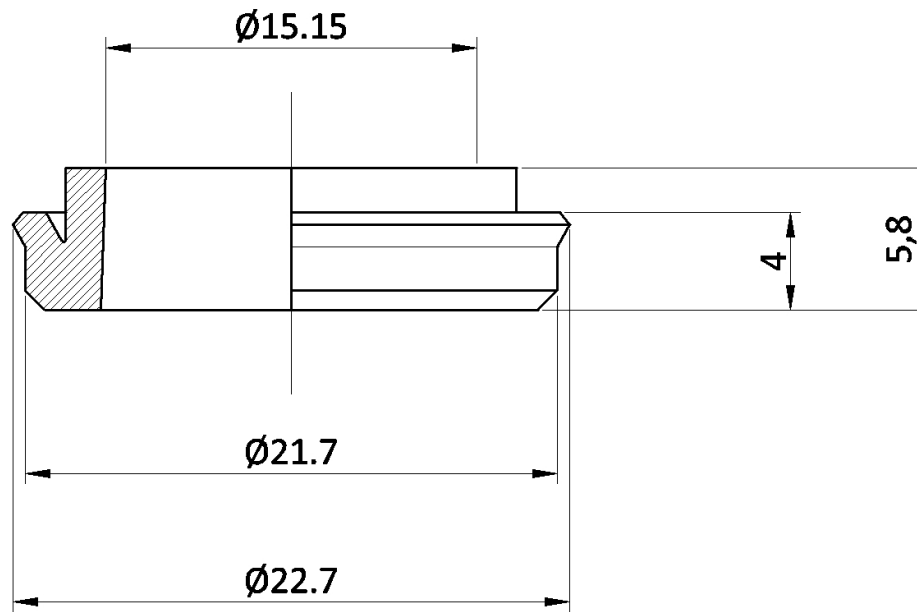
<< Back to all TYPES

5466



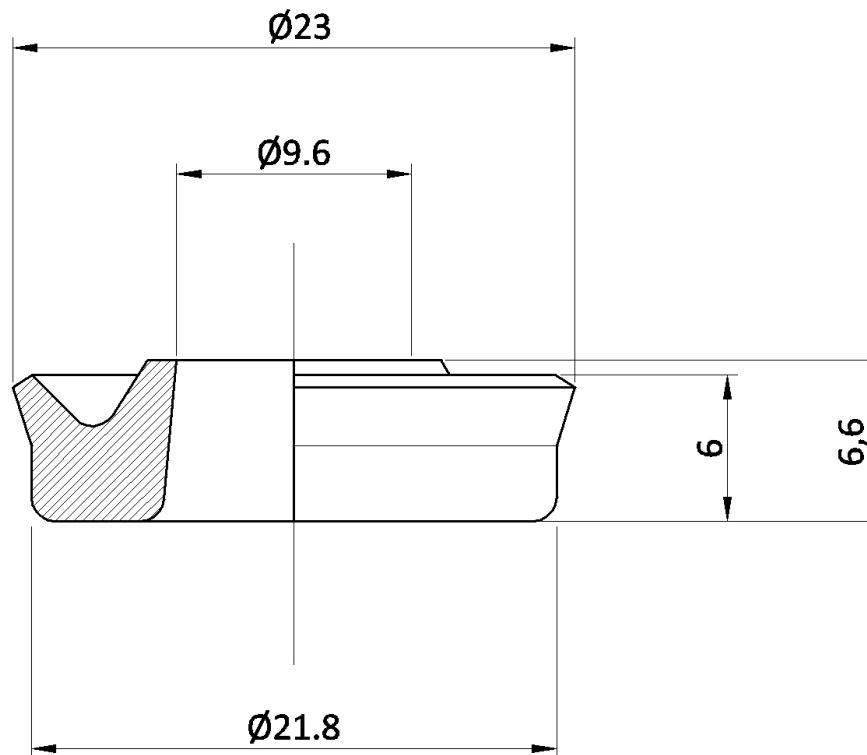
<< Back to all TYPES

5471



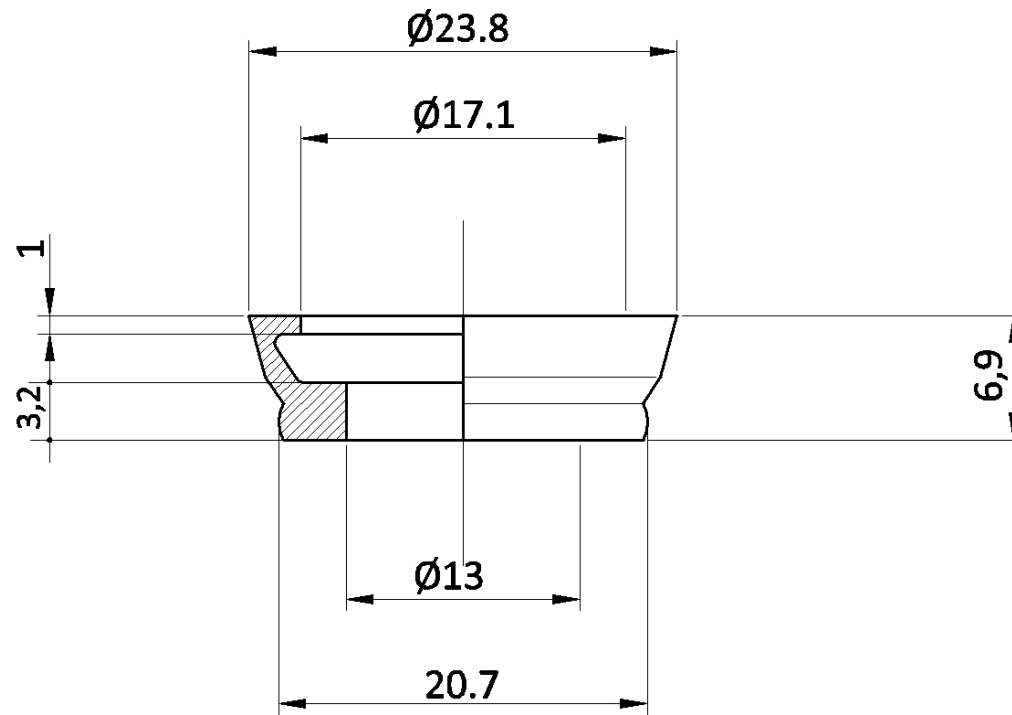
<< Back to all TYPES

5119



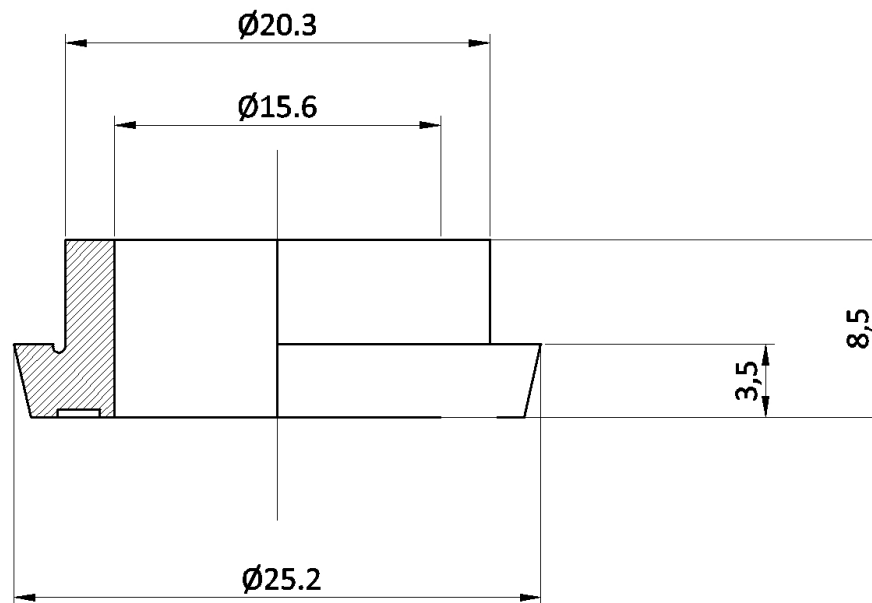
<< Back to all TYPES

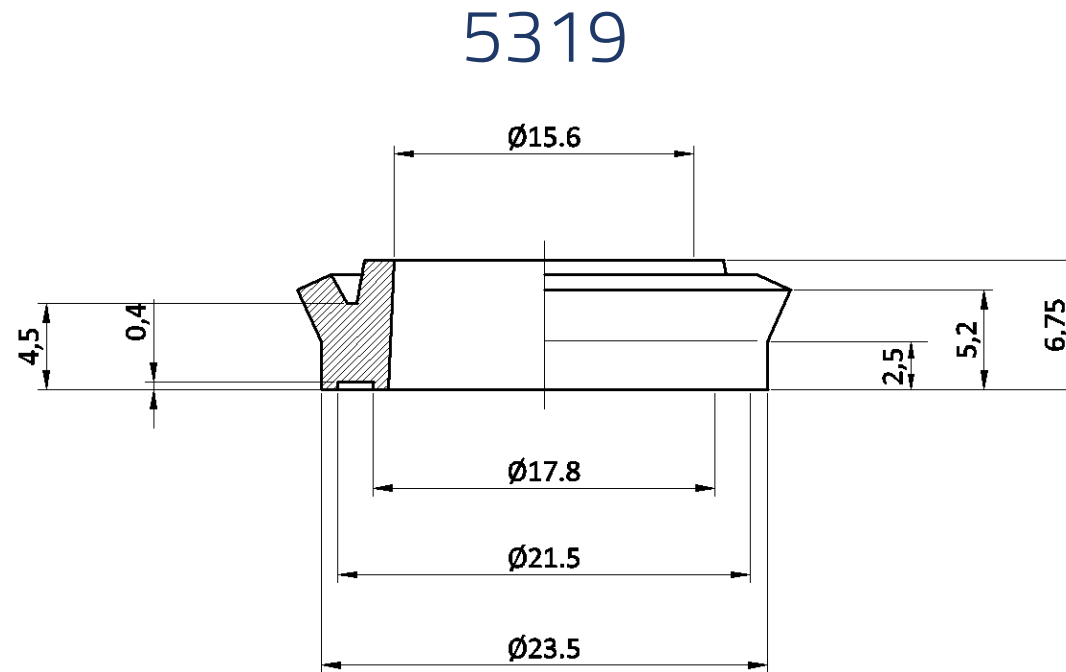
5020



<< Back to all TYPES

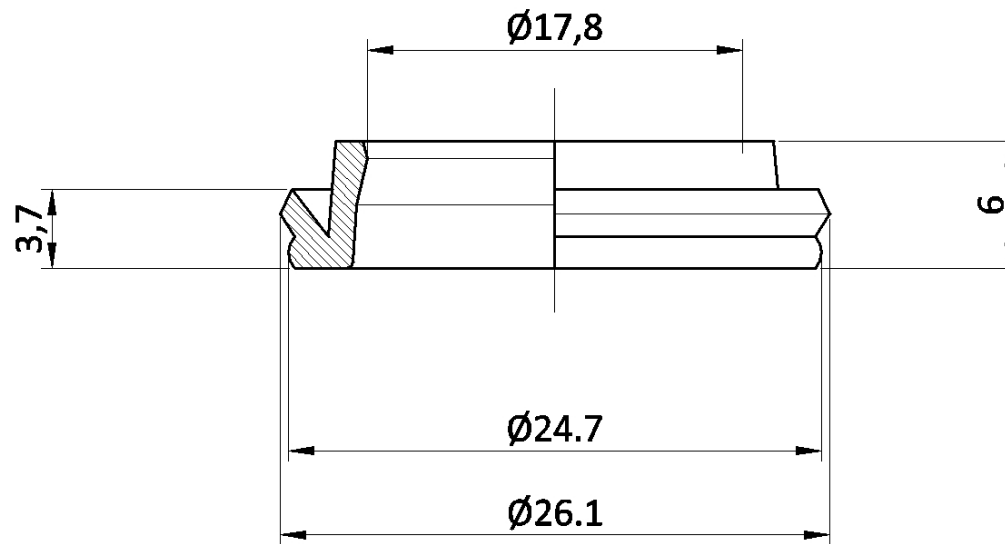
5118



[<< Back to all TYPES](#)

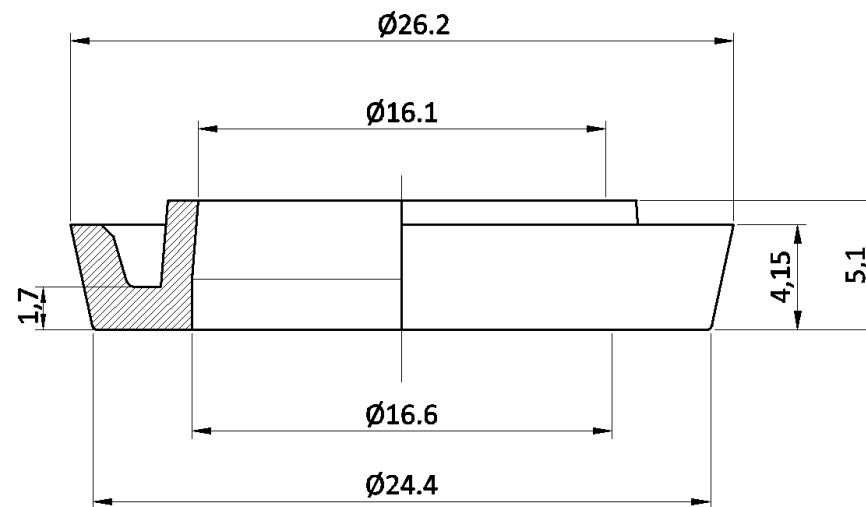
<< Back to all TYPES

5506



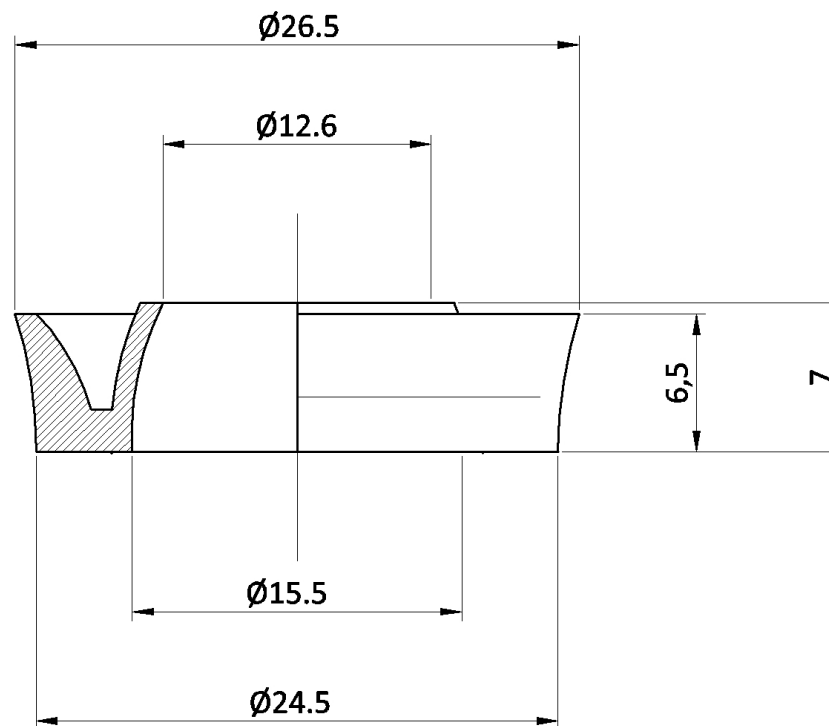
[<< Back to all TYPES](#)

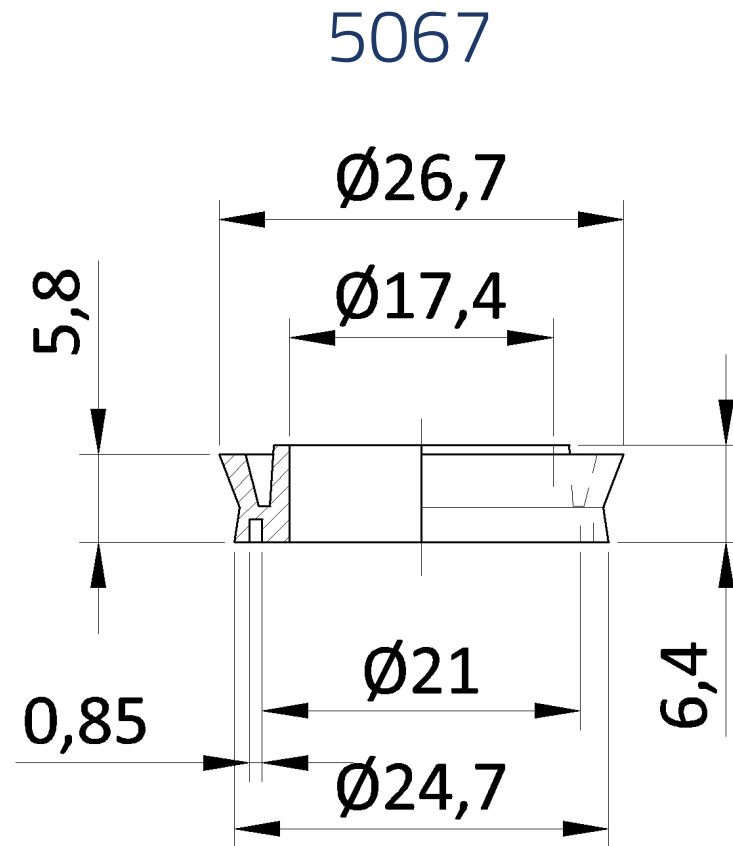
5497

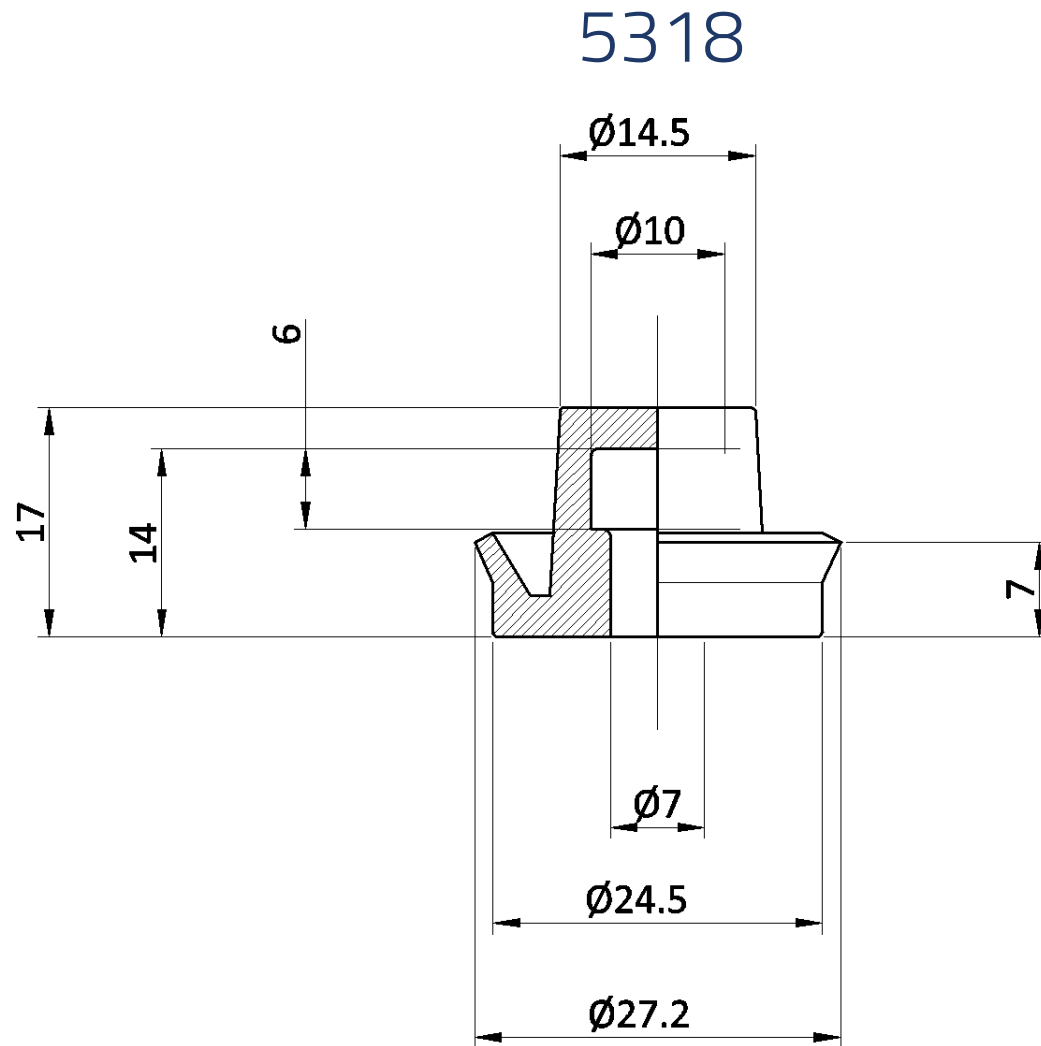


<< Back to all TYPES

5034

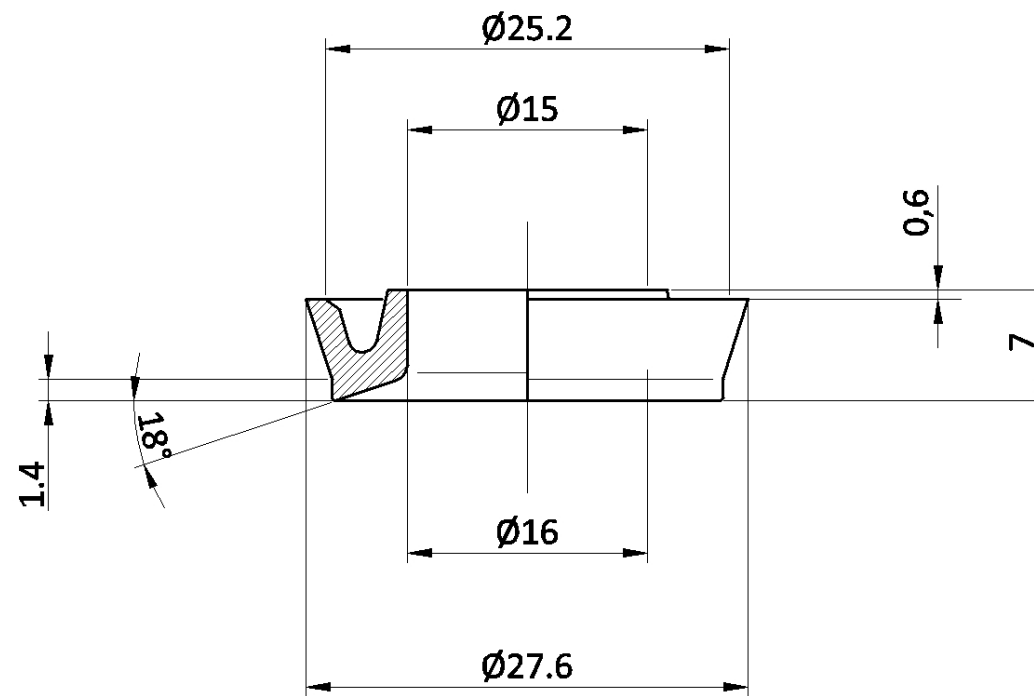


[<< Back to all TYPES](#)

[<< Back to all TYPES](#)

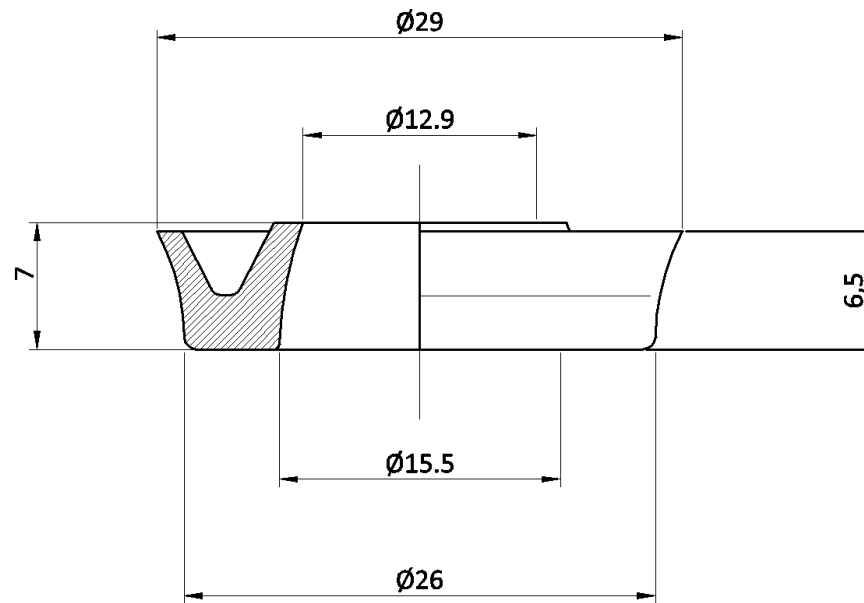
<< Back to all TYPES

5094



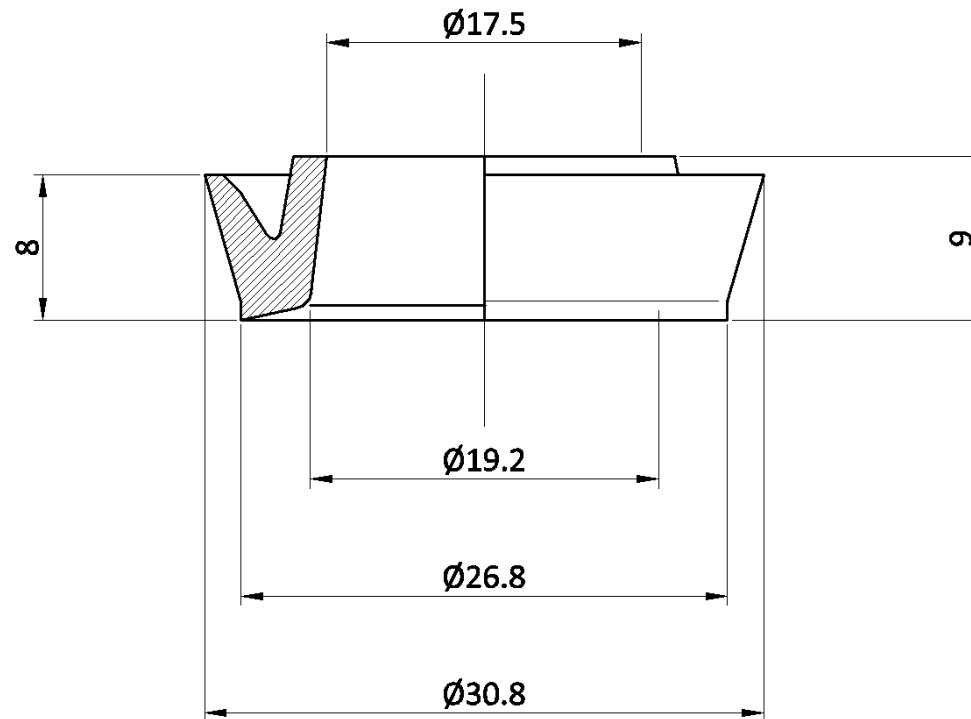
<< Back to all TYPES

5407



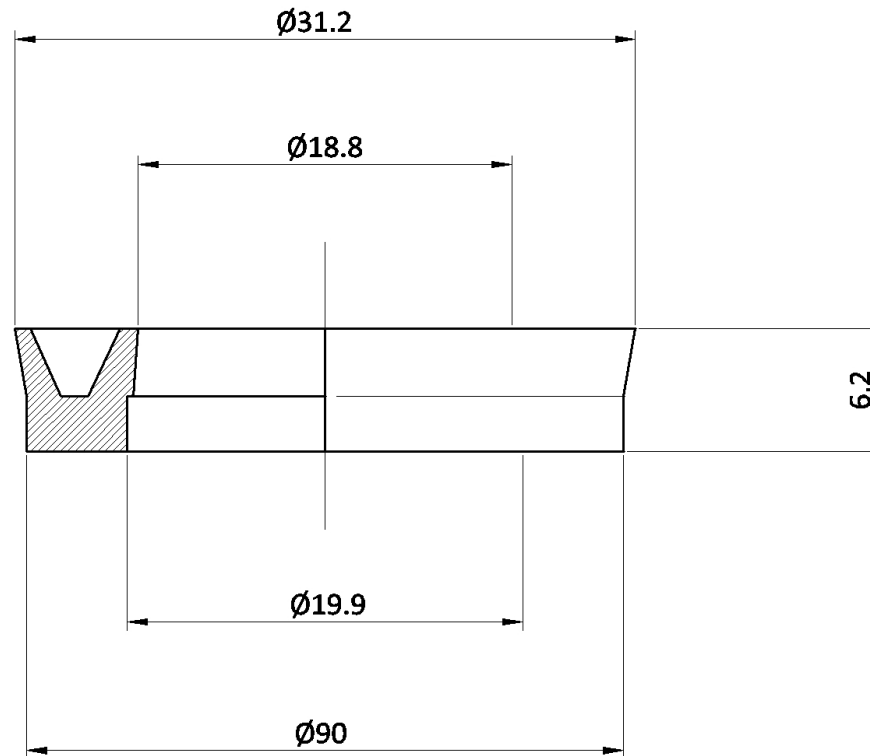
<< Back to all TYPES

5144



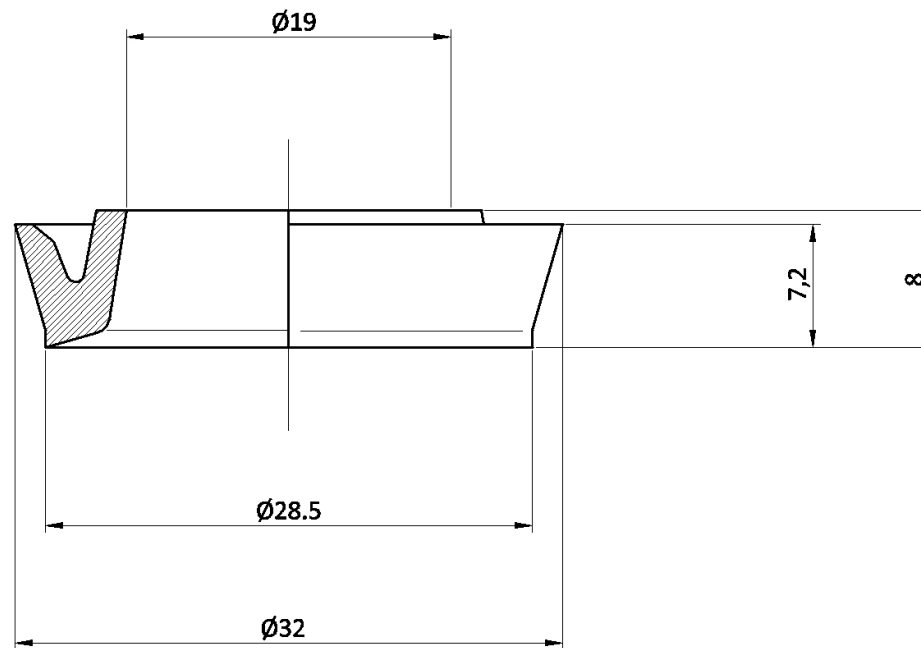
<< Back to all TYPES

5194



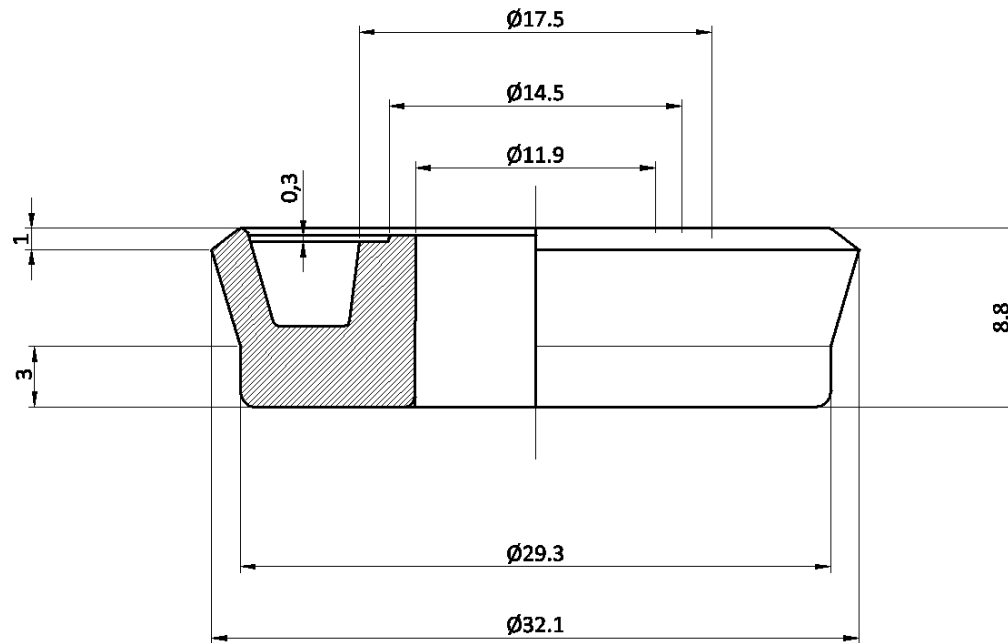
<< Back to all TYPES

5146



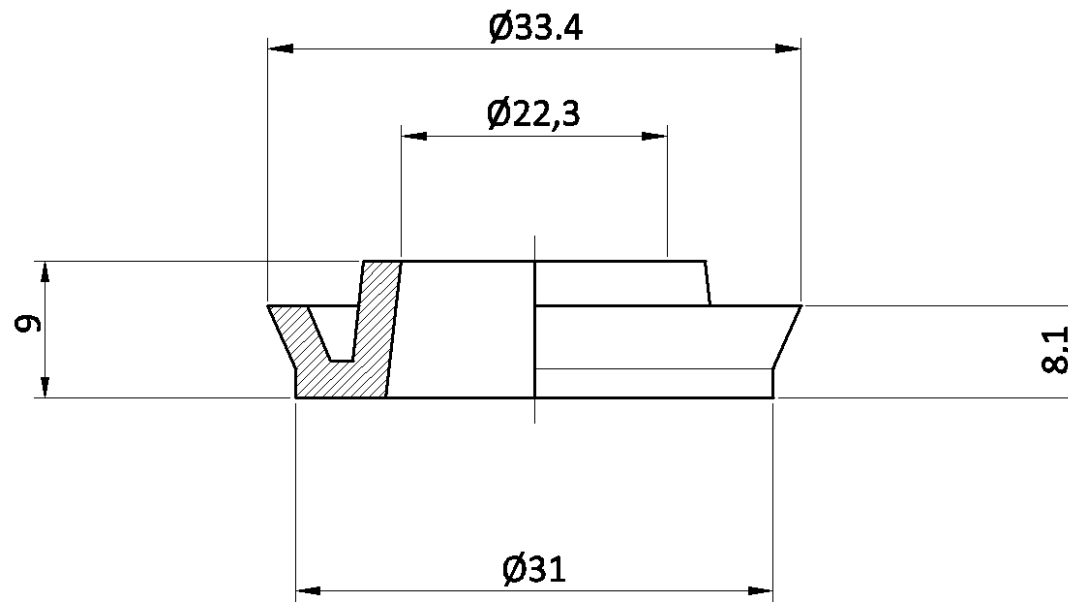
<< Back to all TYPES

5488



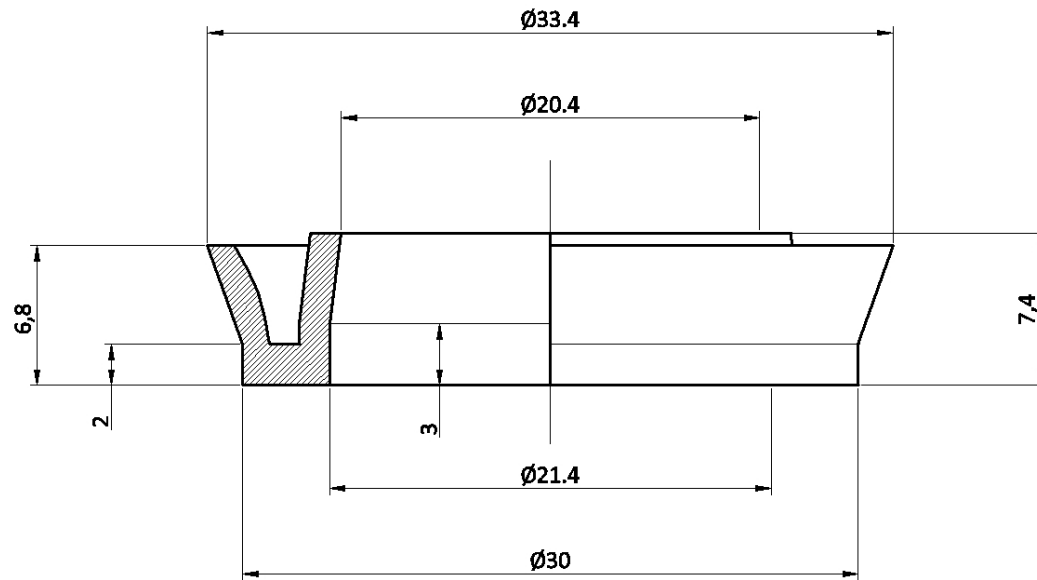
<< Back to all TYPES

5449



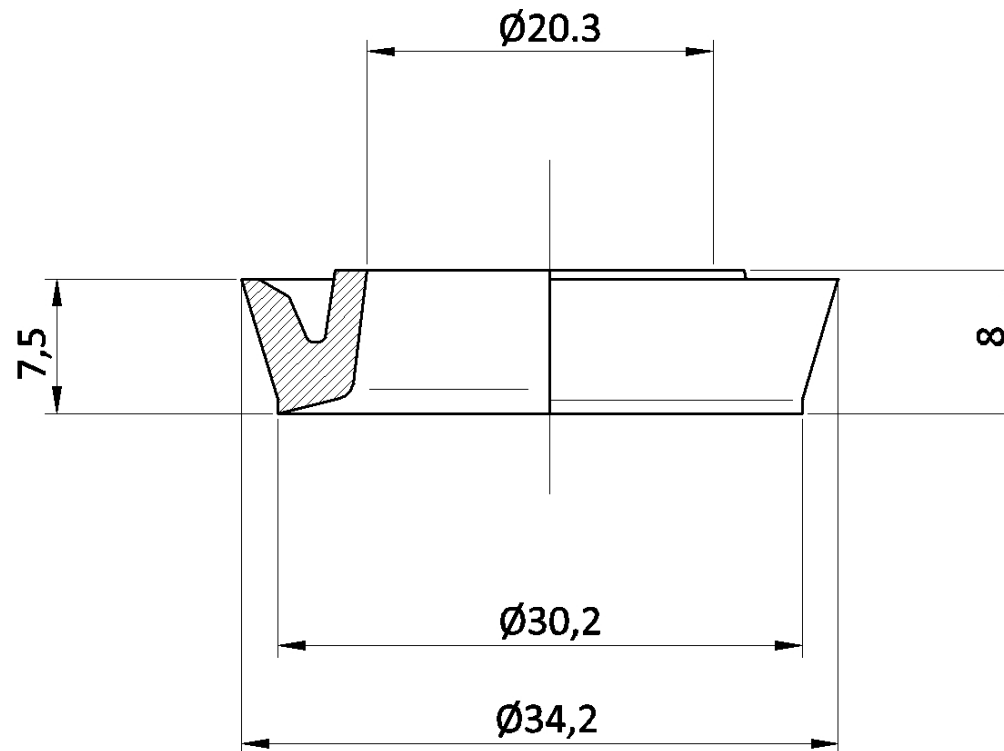
<< Back to all TYPES

5487



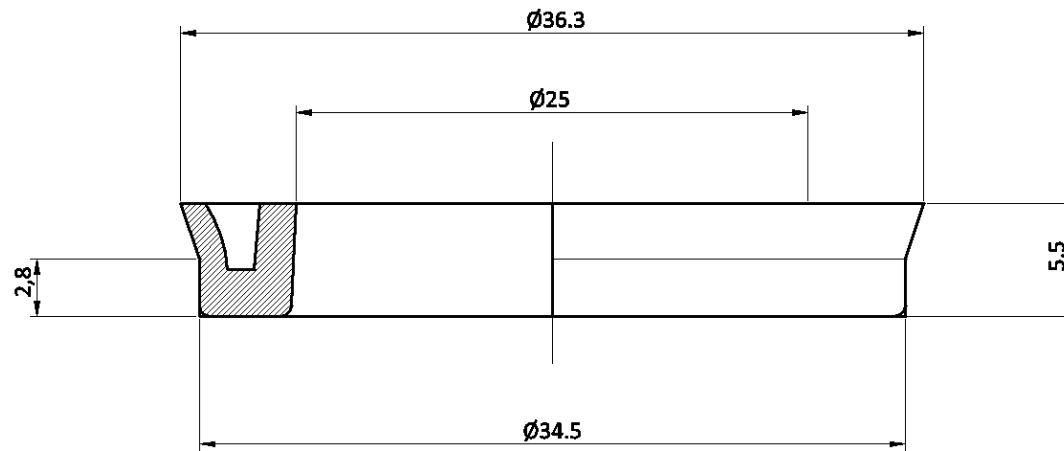
<< Back to all TYPES

5145



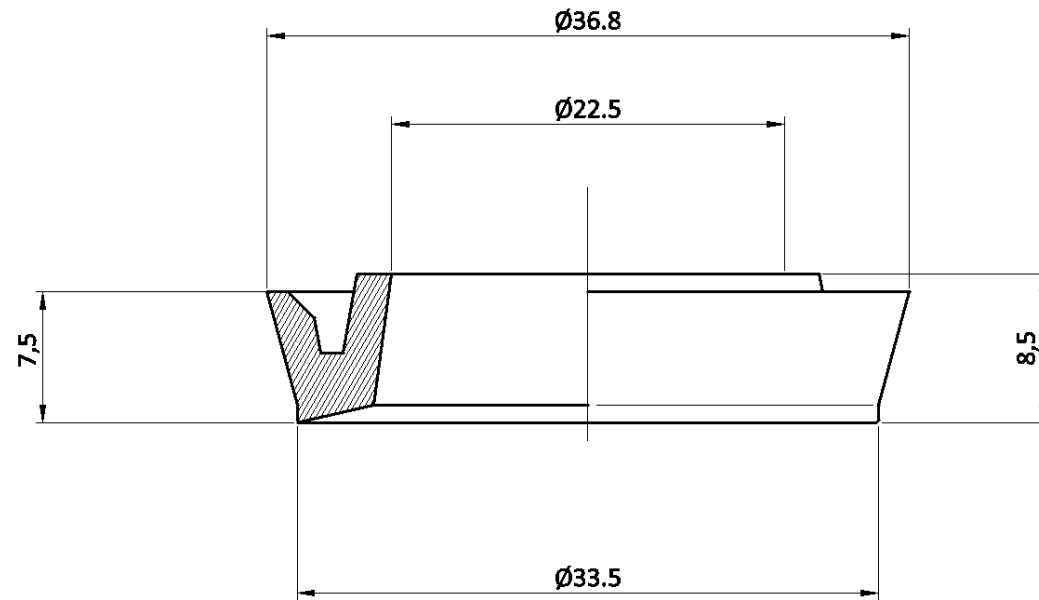
<< Back to all TYPES

5537



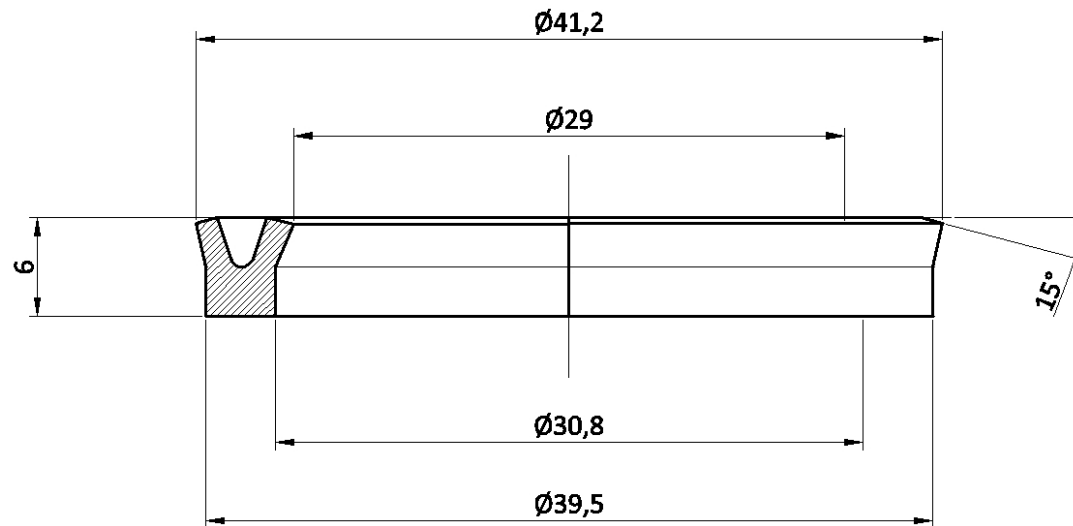
<< Back to all TYPES

5323



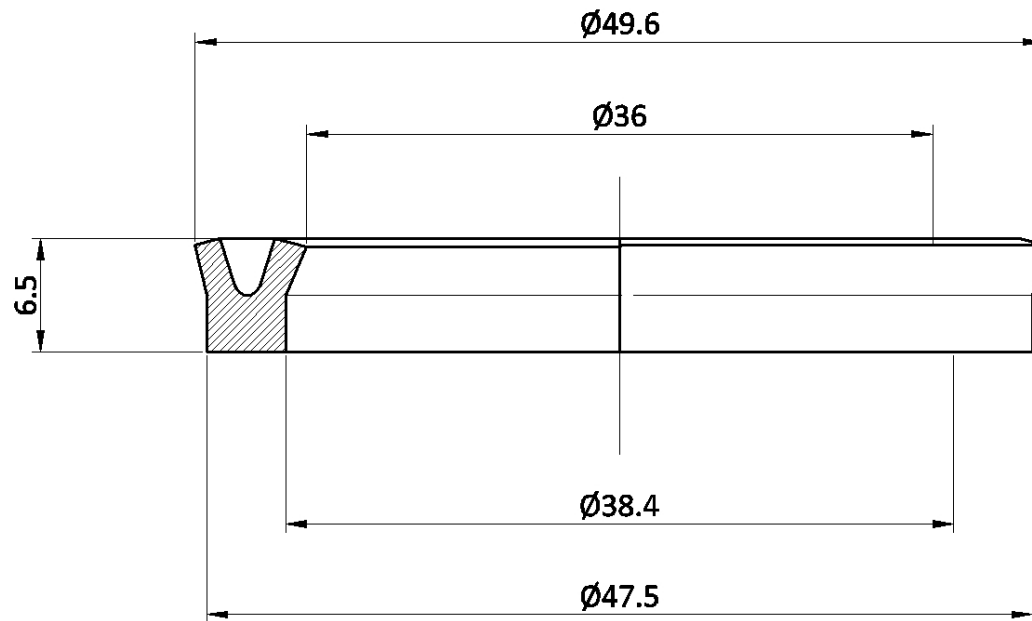
<< Back to all TYPES

5504



<< Back to all TYPES

5505





Caps



Click on the type of intended **cap** to access the thumbnails.

Bell-shaped caps

Dust caps

Disk brake boots

Protection caps

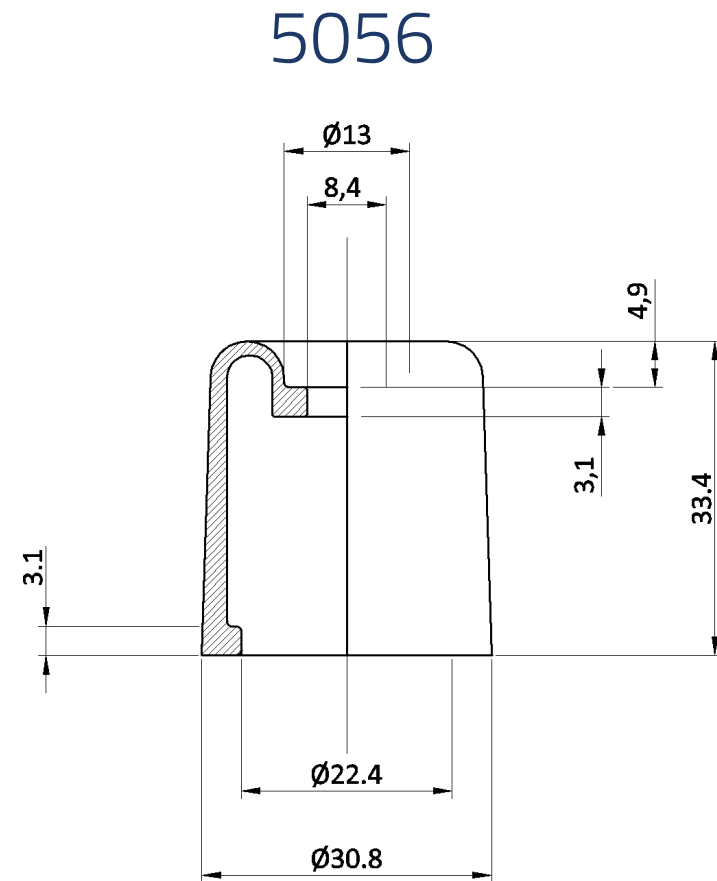
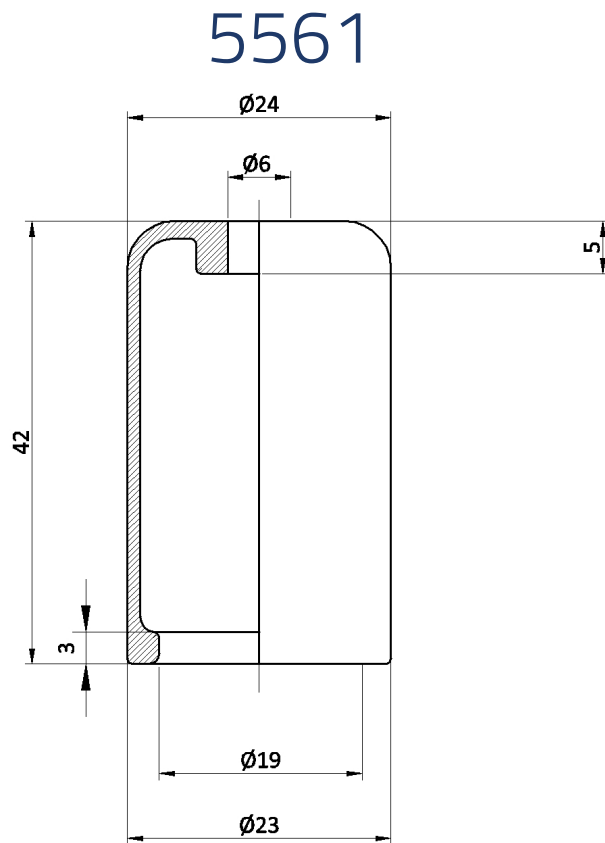
Pipettes - other caps

Bell-shaped caps

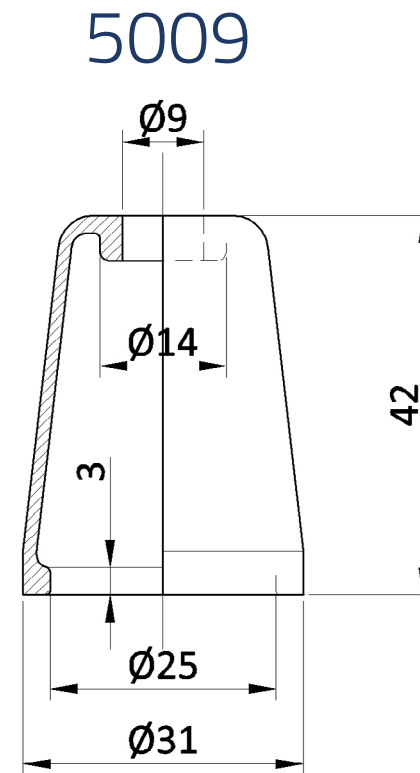
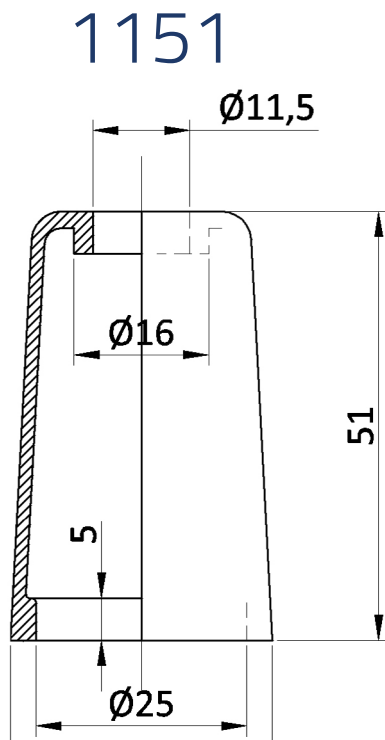


<< Back to all TYPES

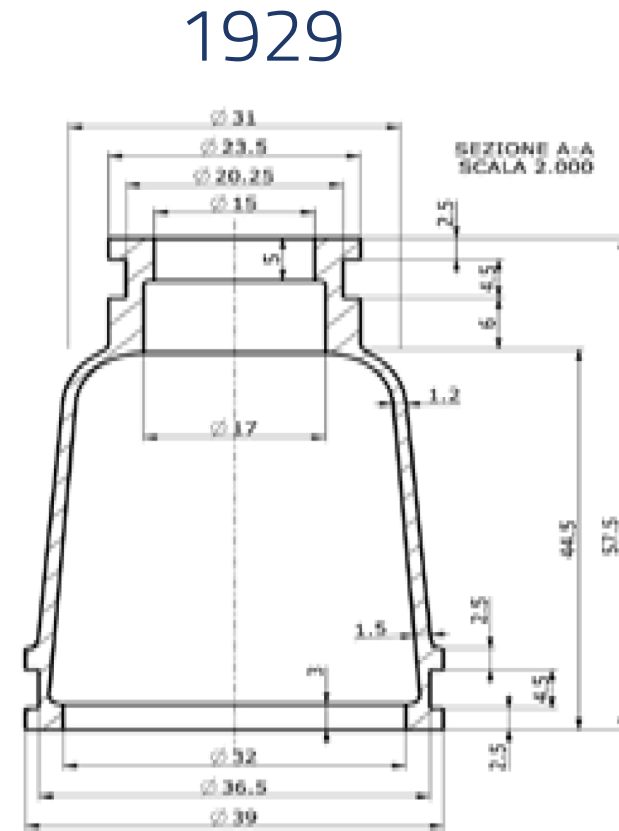
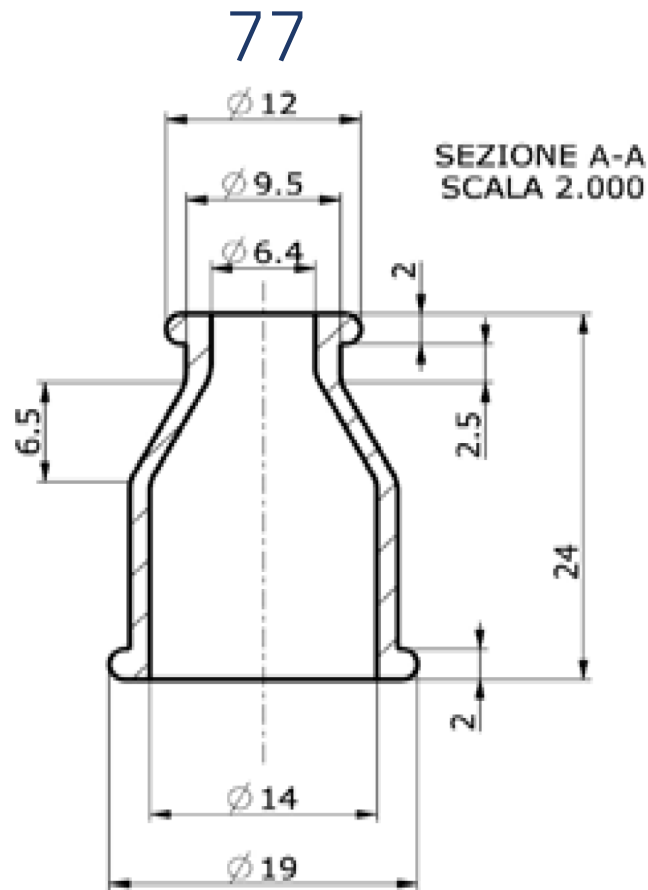
The thumbnails are ordered by increasing size of outer diameter.



<< Back to all TYPES

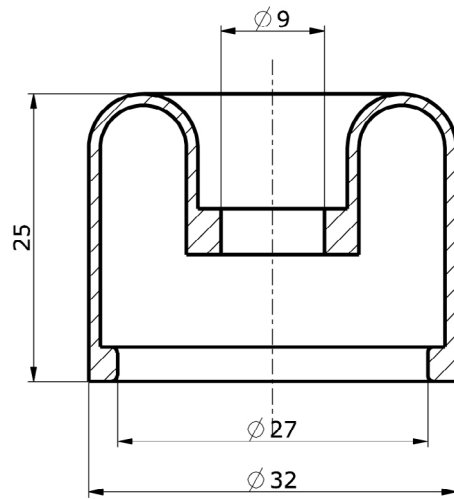


<< Back to all TYPES

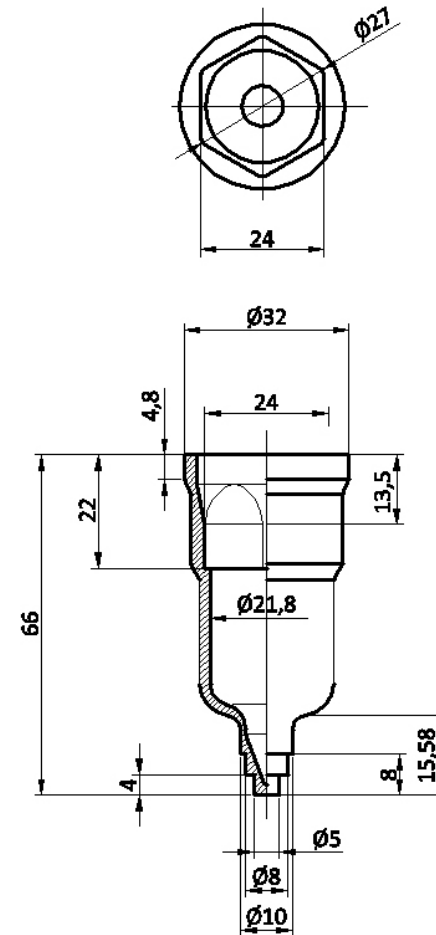


<< Back to all TYPES

5515

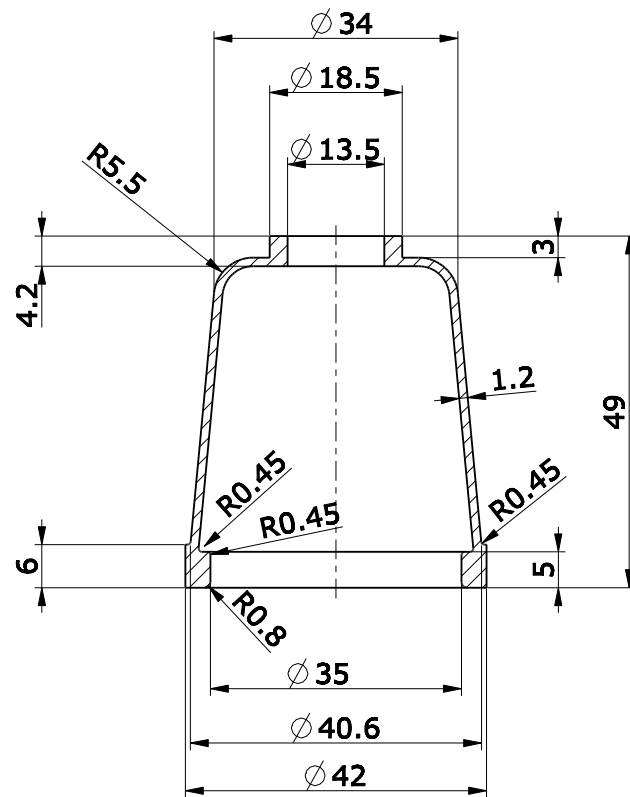


5614

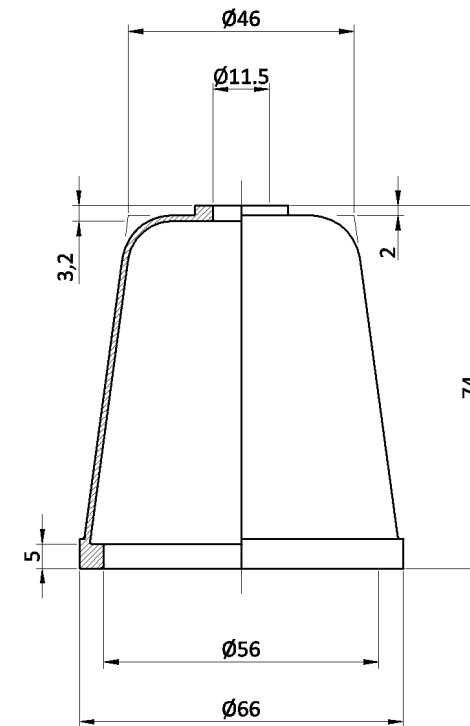


<< Back to all TYPES

5084

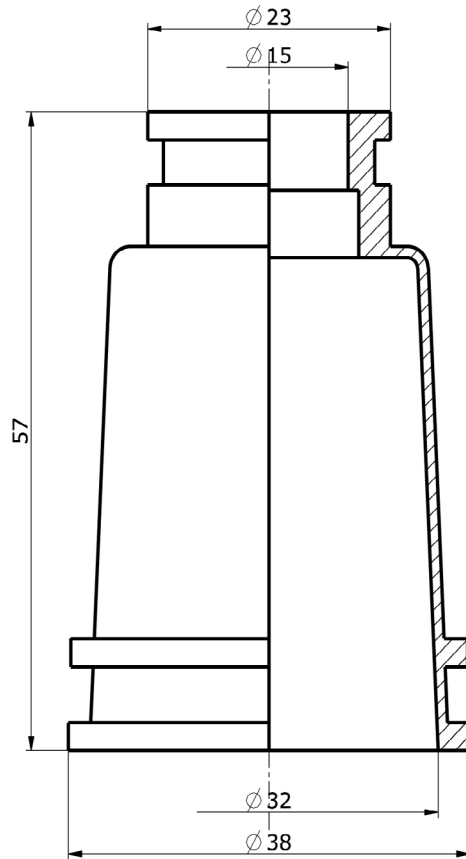


5077

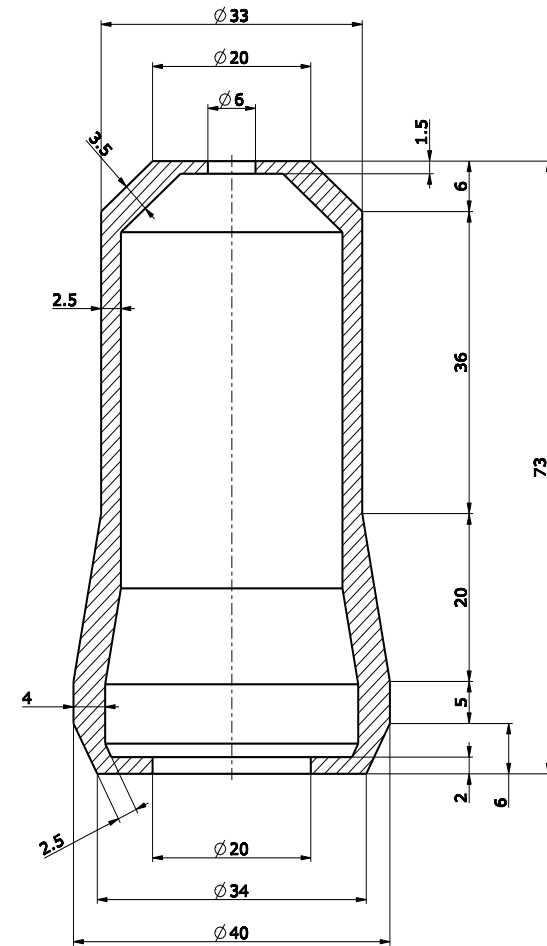


<< Back to all TYPES

5120



7546



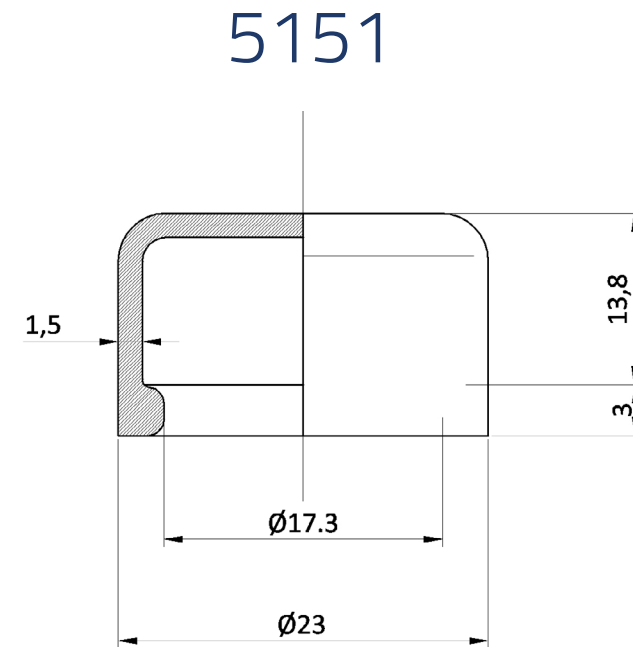
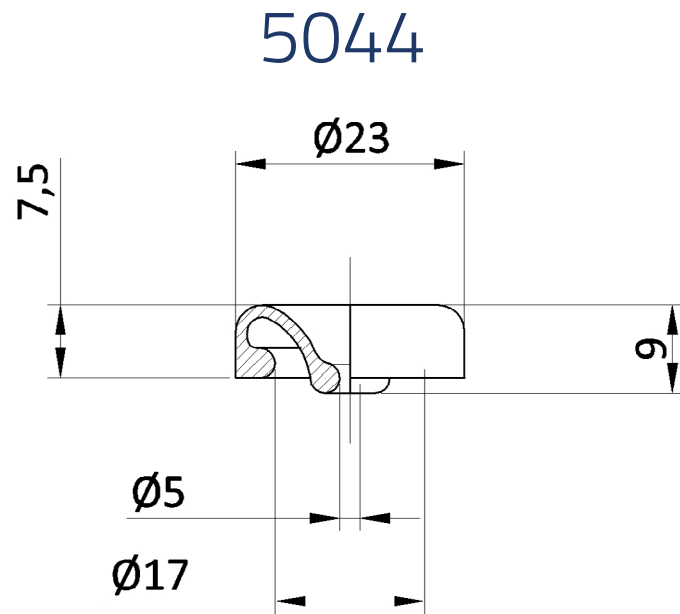
SEZIONE A-A
SCALA 2.000



Dust caps

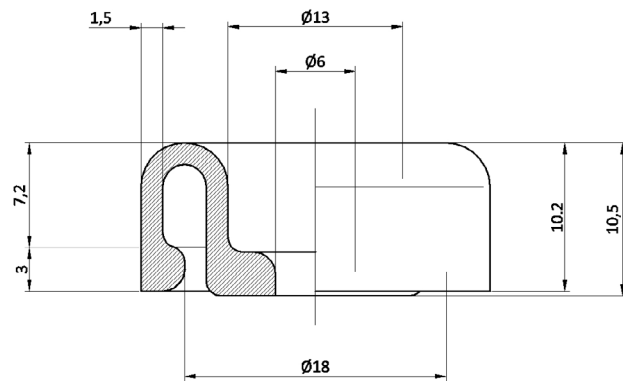


<< Back to all TYPES

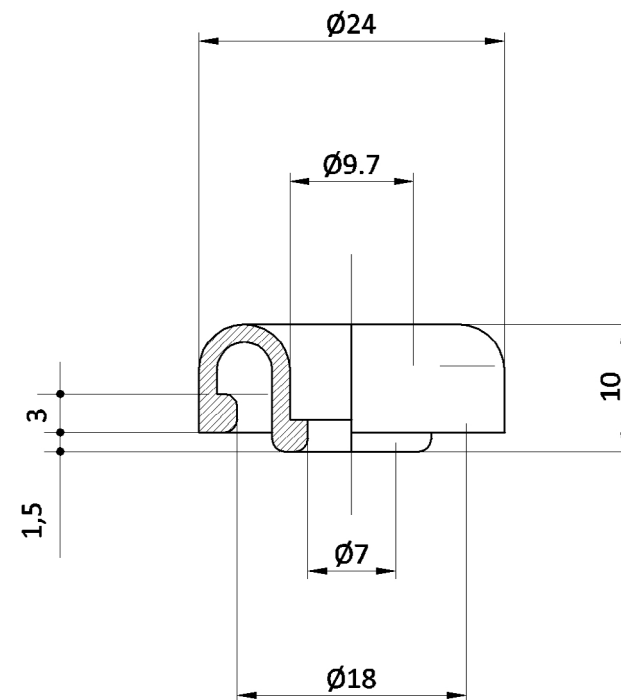


<< Back to all TYPES

5330

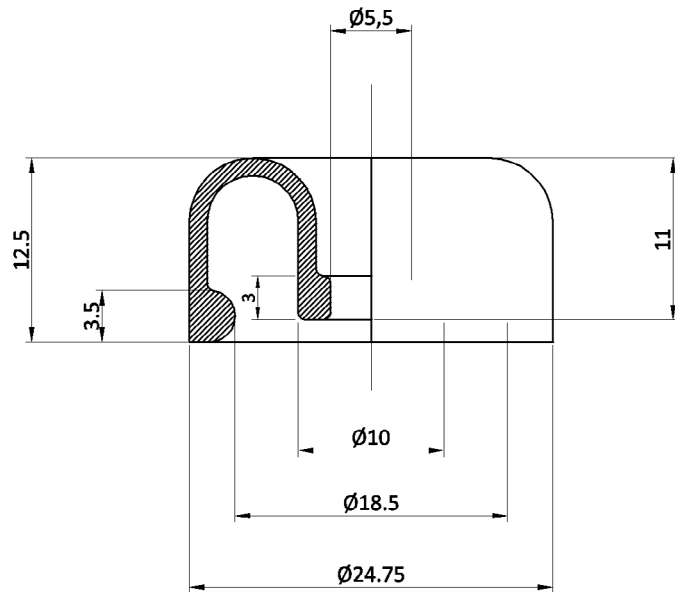


5344

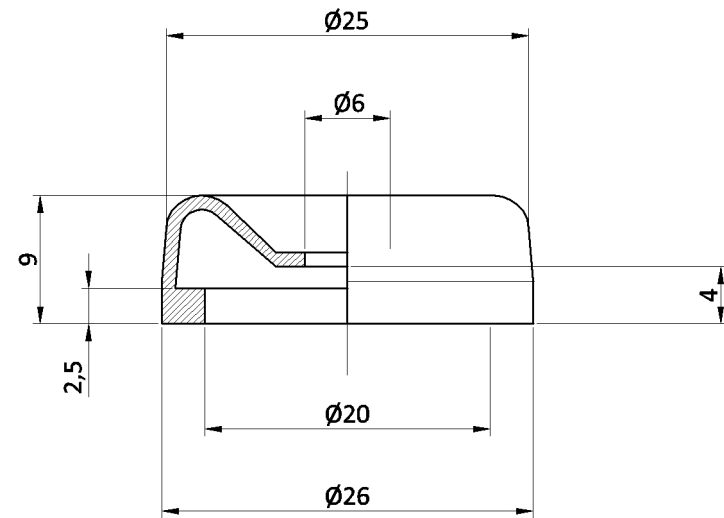


<< Back to all TYPES

5560

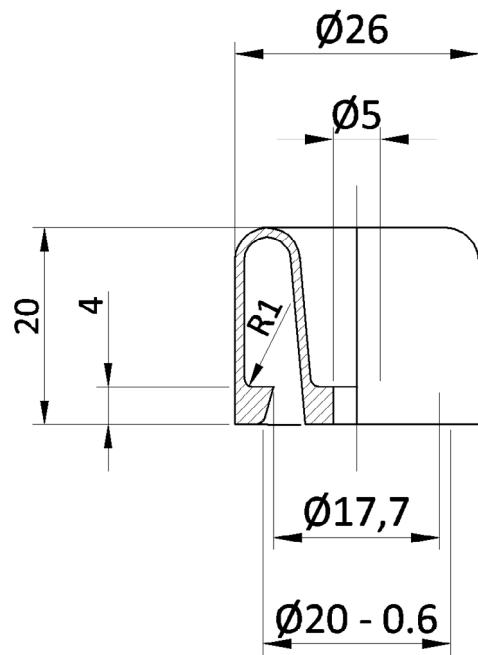


5460

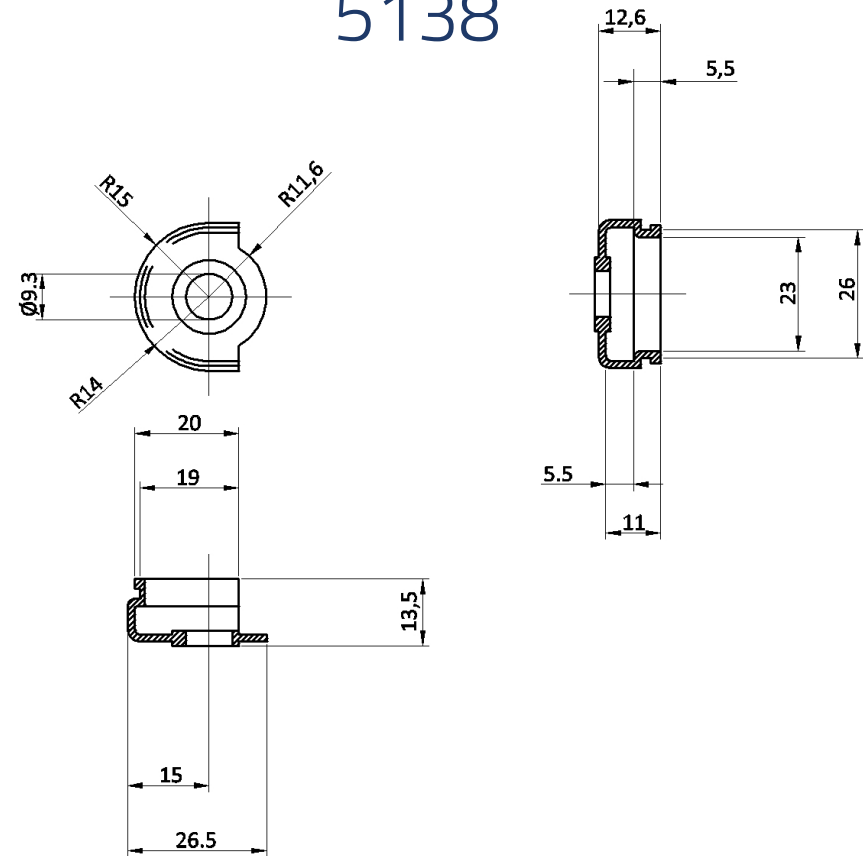


<< Back to all TYPES

5495

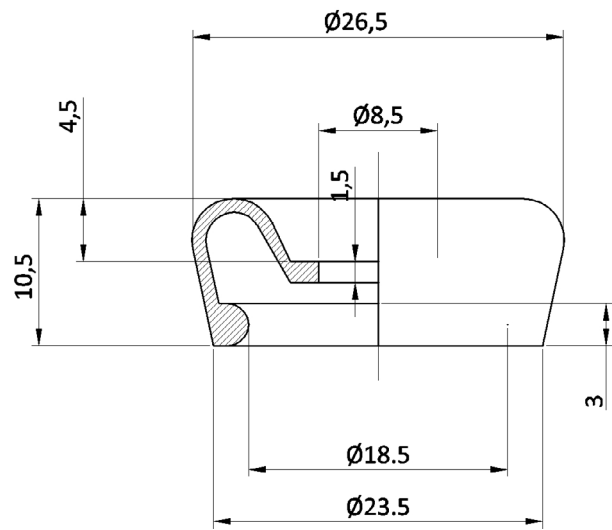


5138

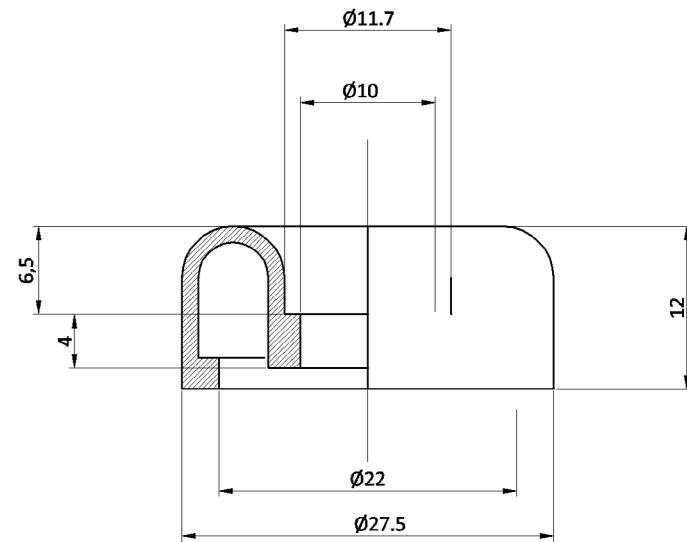


<< Back to all TYPES

5455

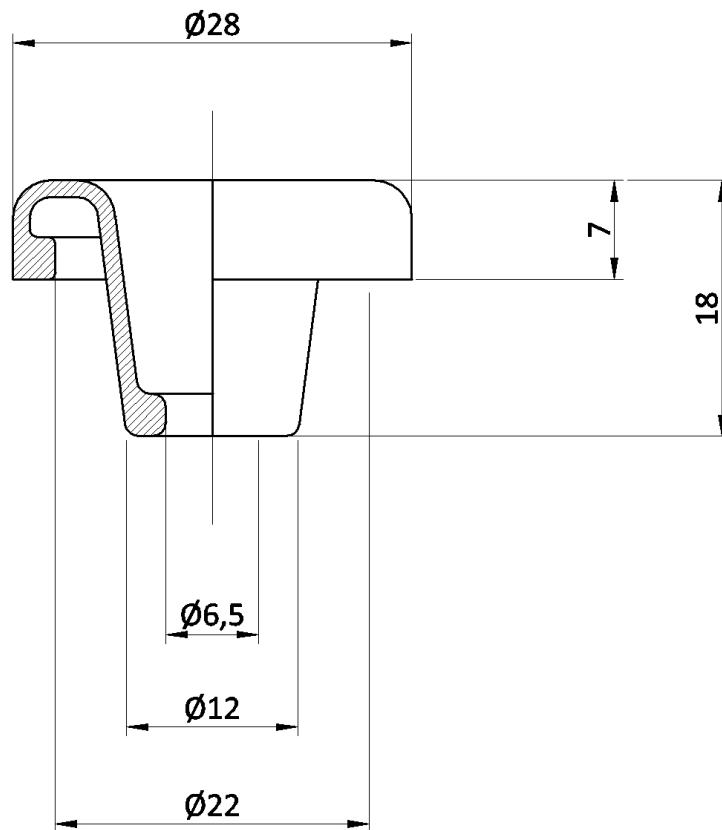


5135

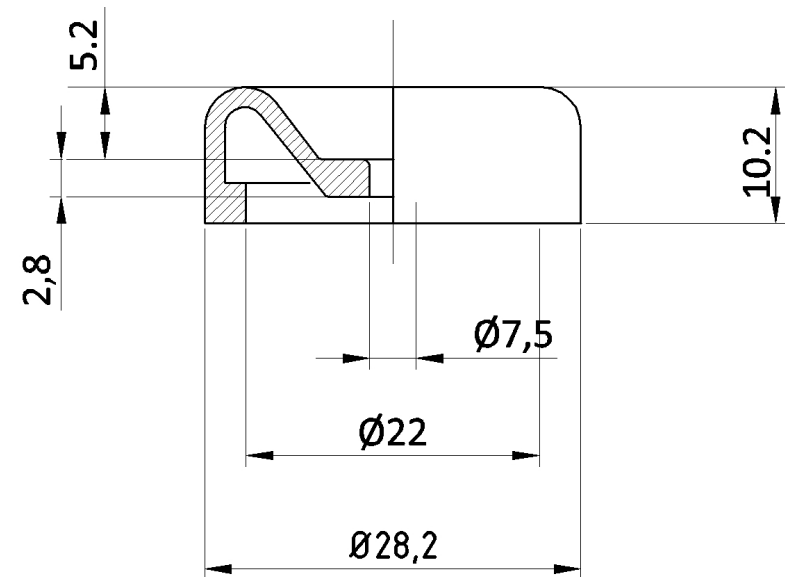


<< Back to all TYPES

5262

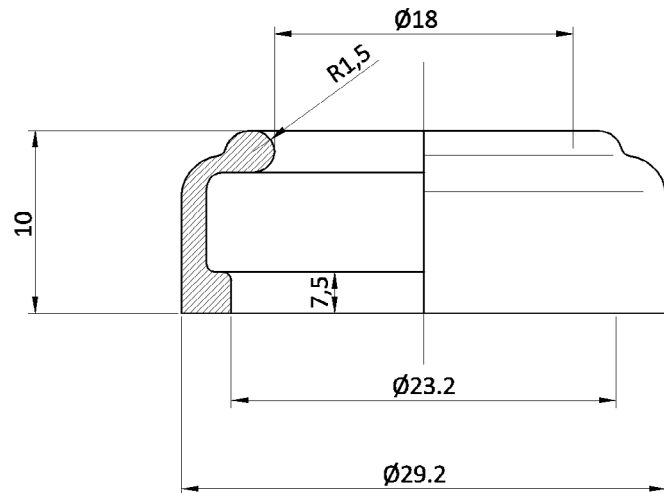


5366

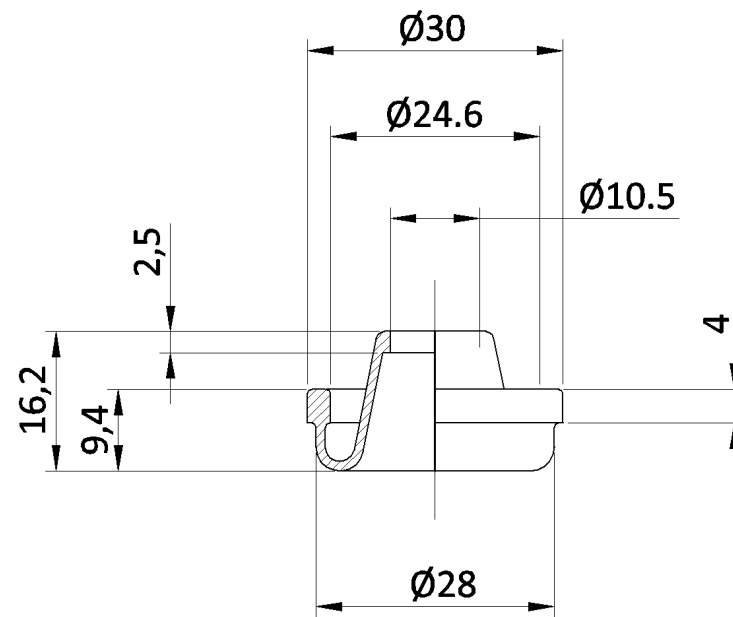


<< Back to all TYPES

5027

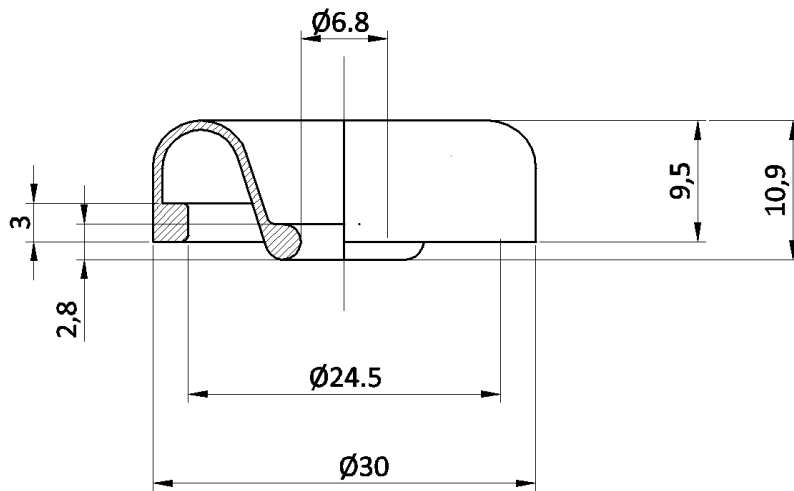


216

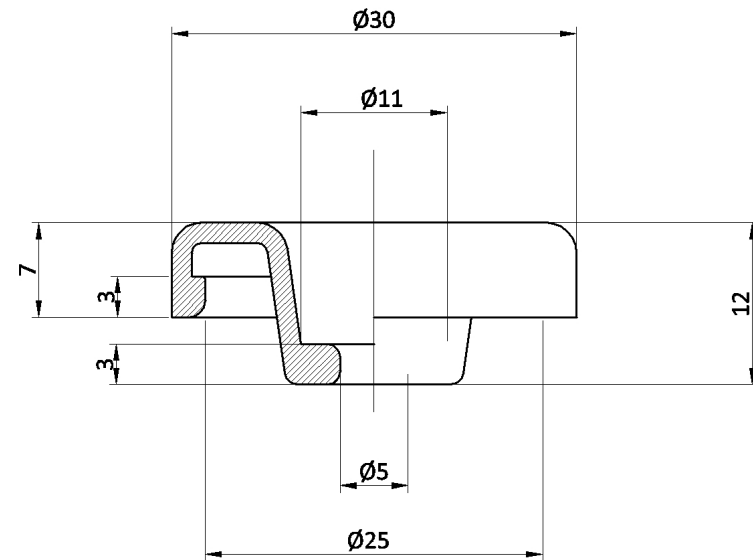


<< Back to all TYPES

5274

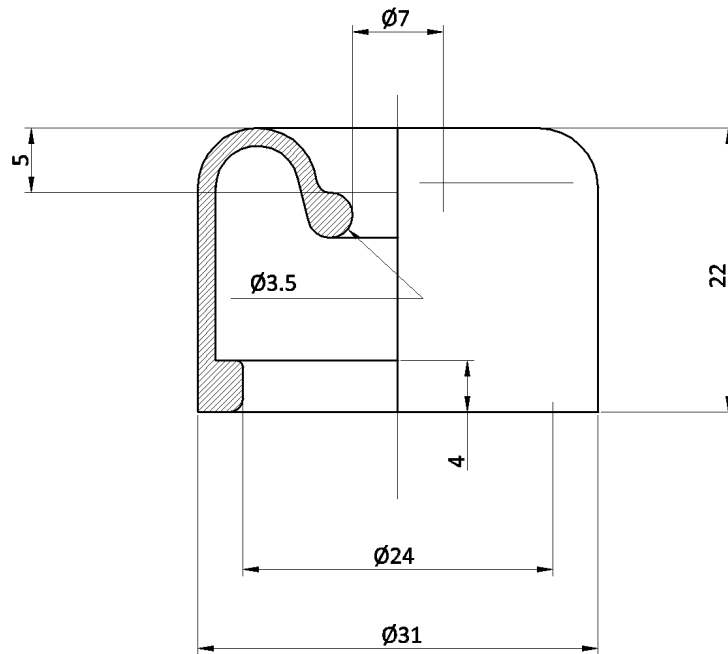


5321

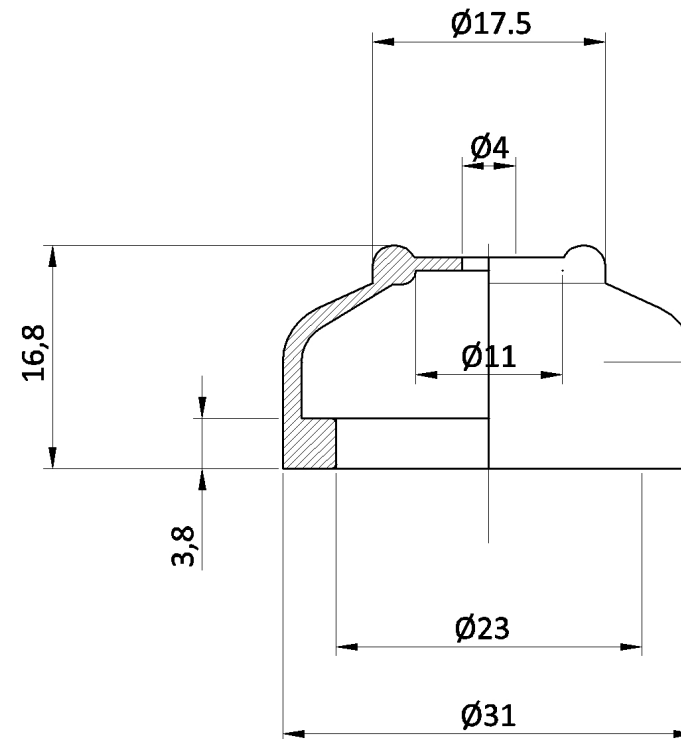


<< Back to all TYPES

5106

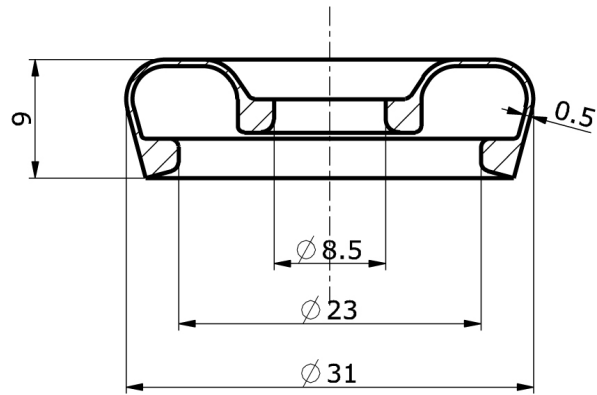


5137

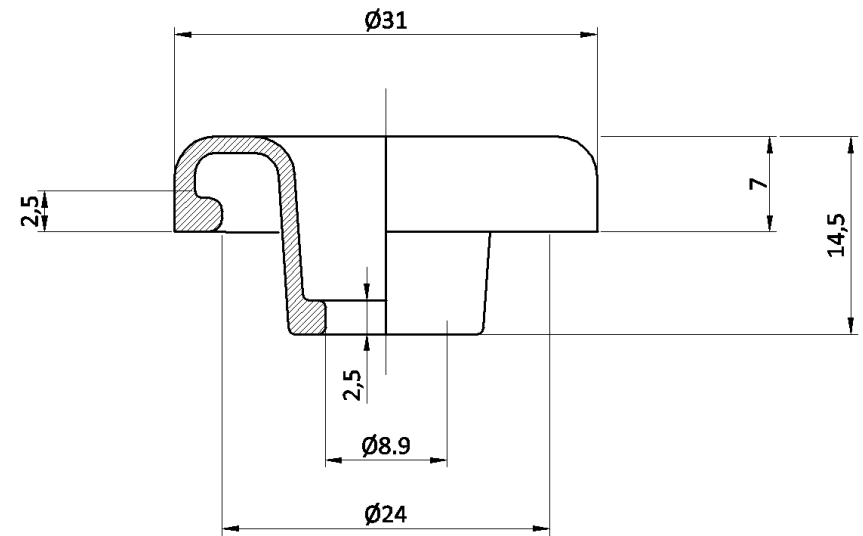


<< Back to all TYPES

5426

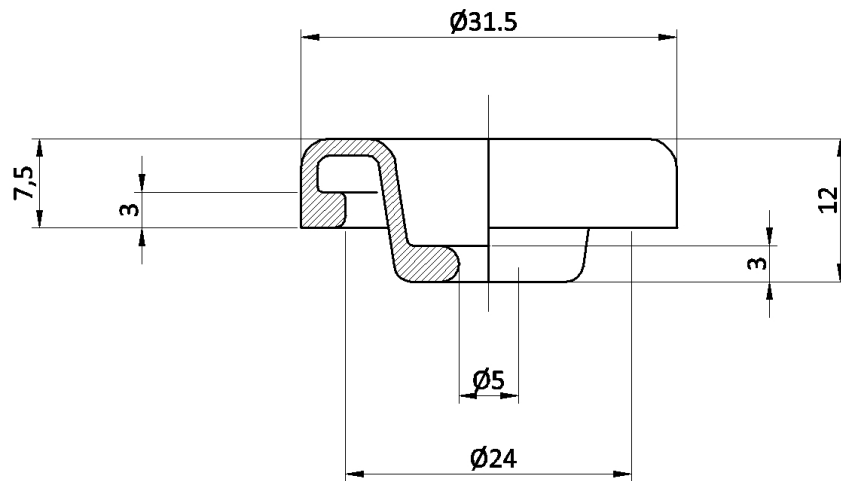


5507

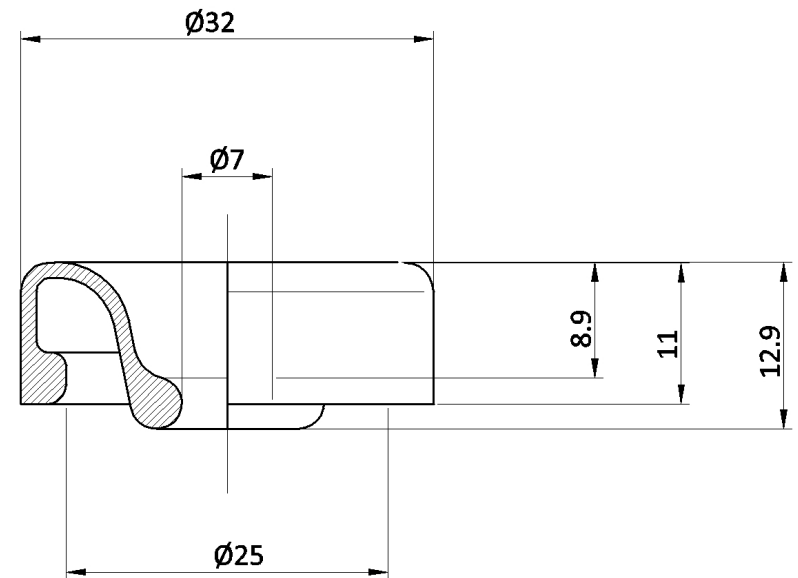


<< Back to all TYPES

5543

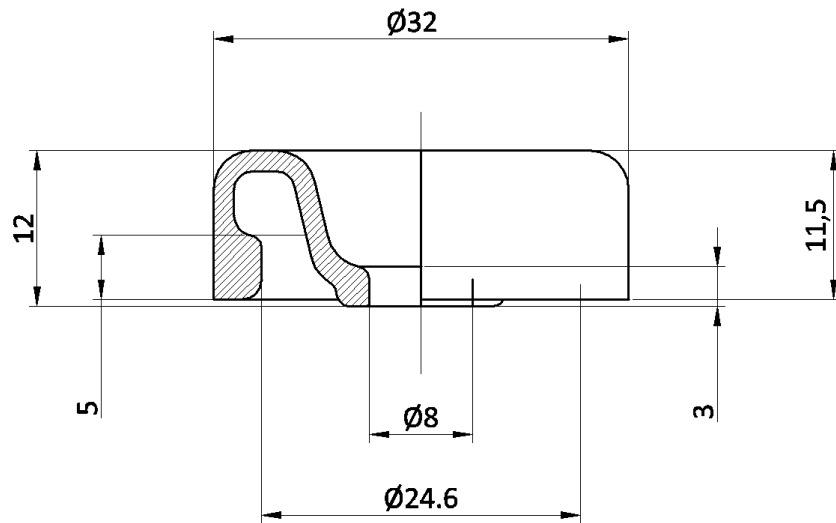


5095

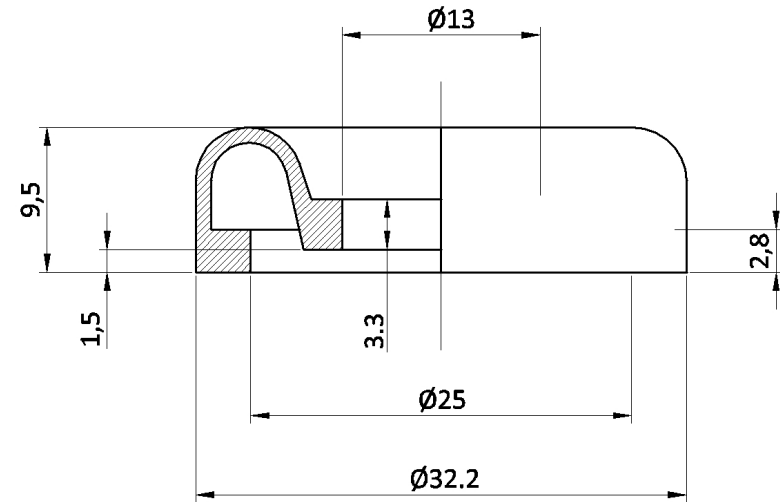


<< Back to all TYPES

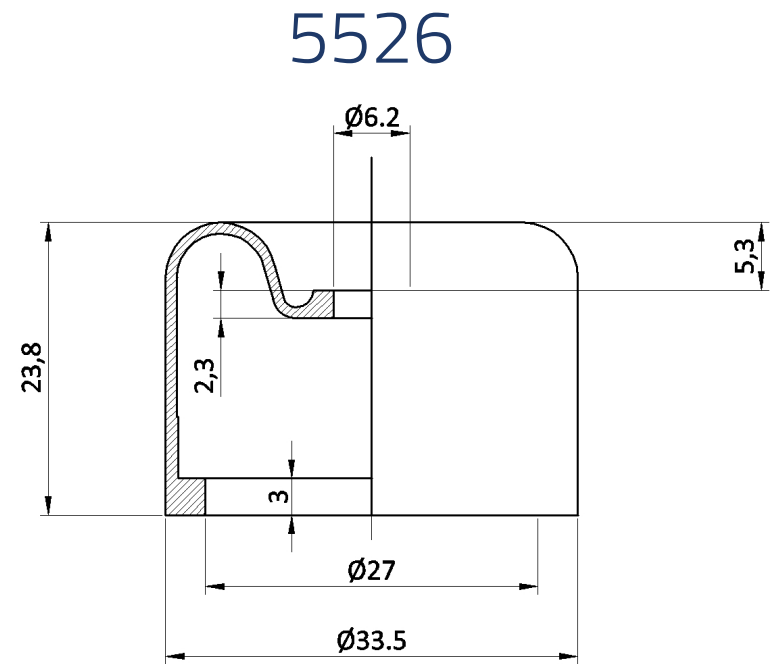
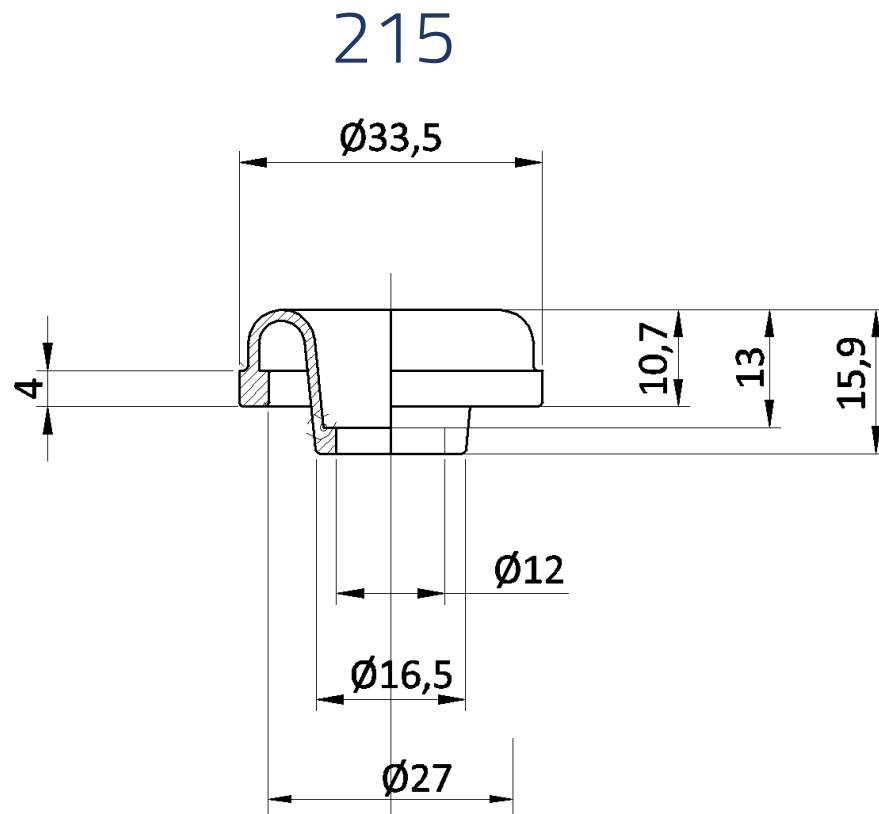
5268



5278

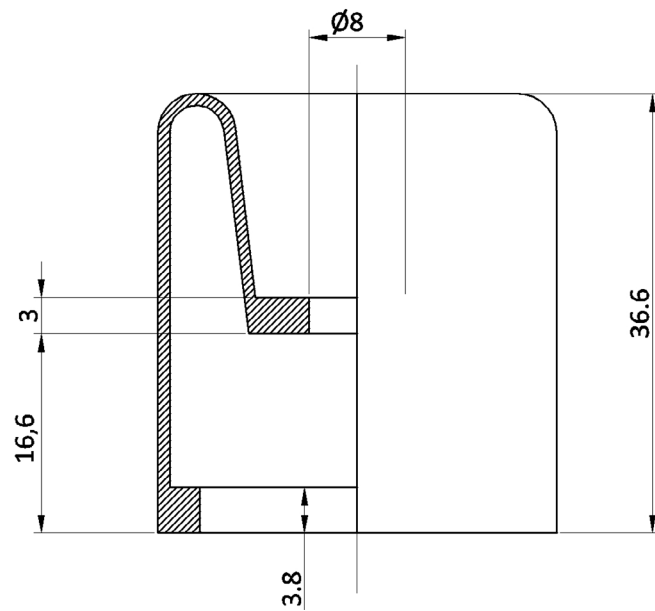


<< Back to all TYPES

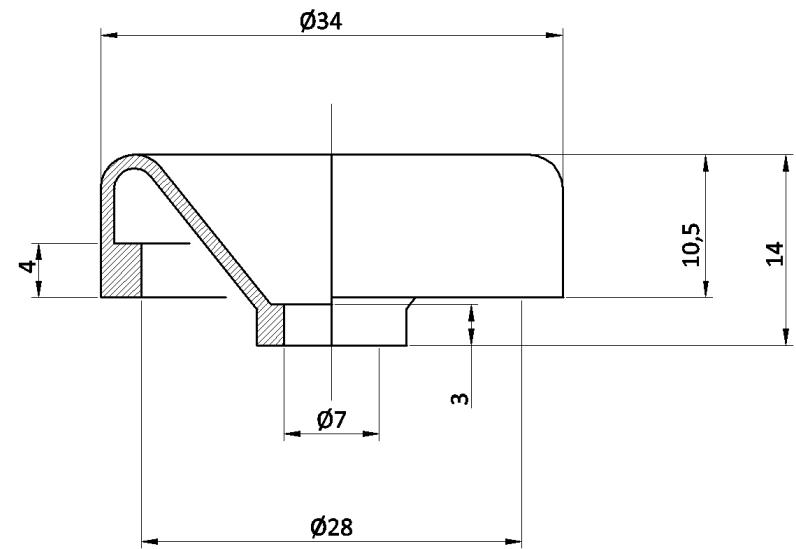


<< Back to all TYPES

5155

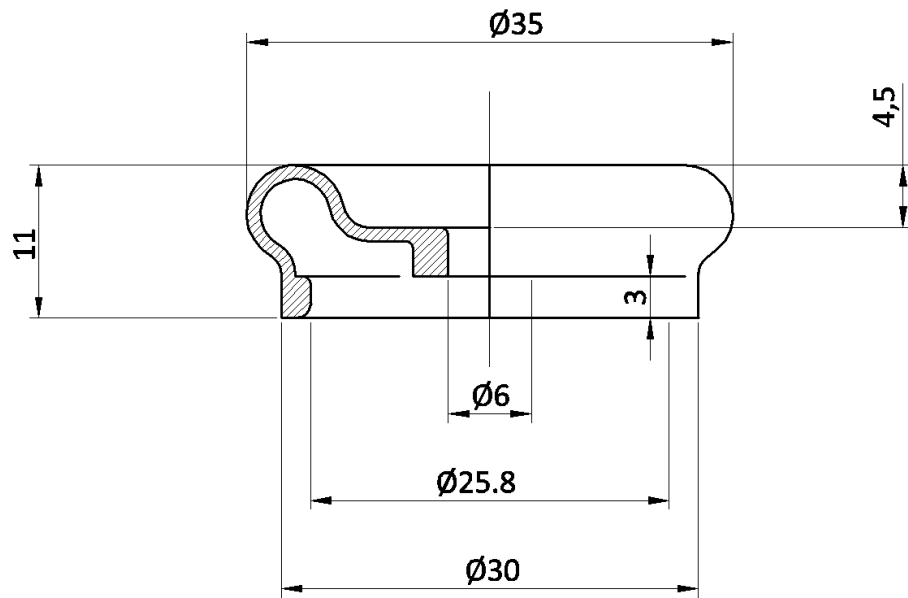


5459

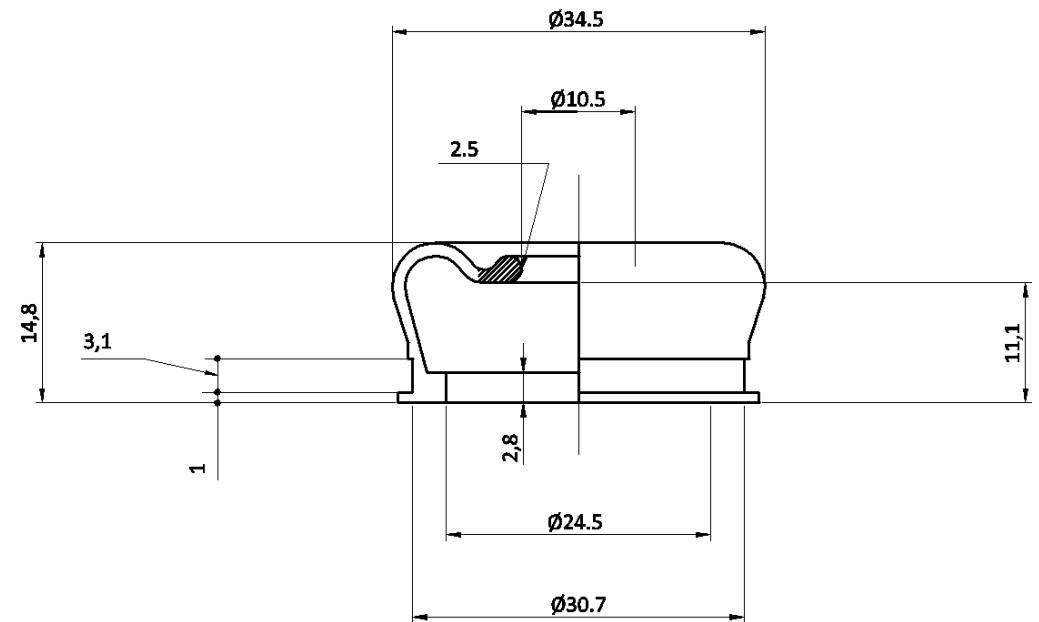


<< Back to all TYPES

5454

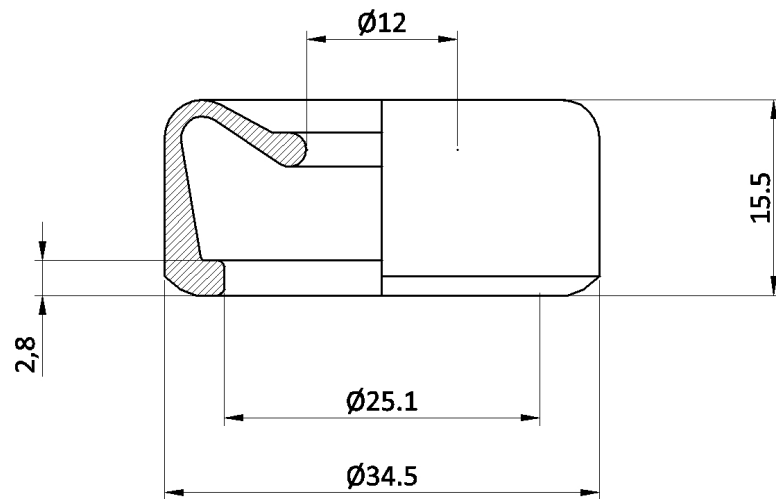


5078

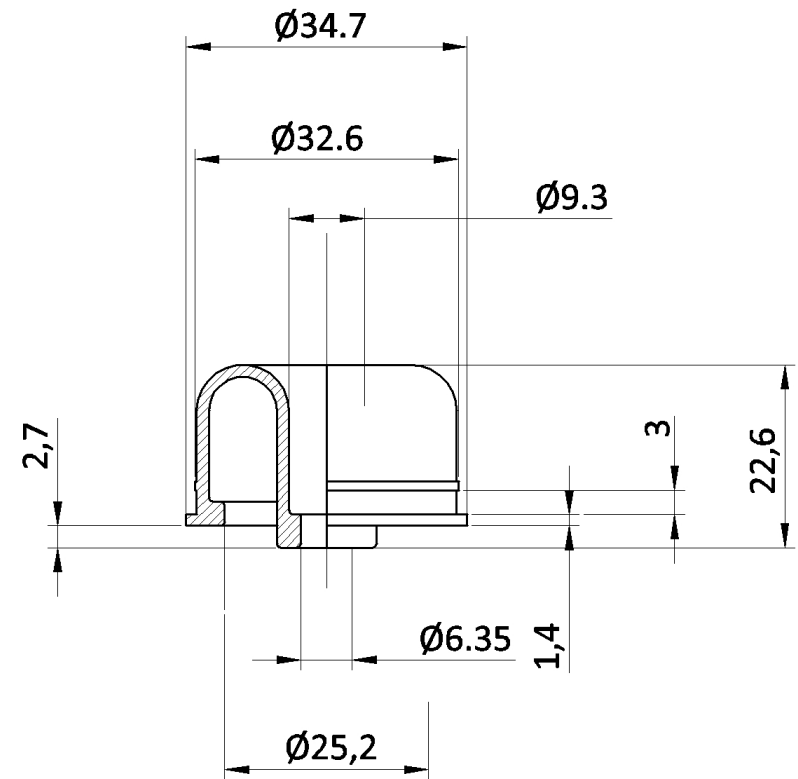


<< Back to all TYPES

5317

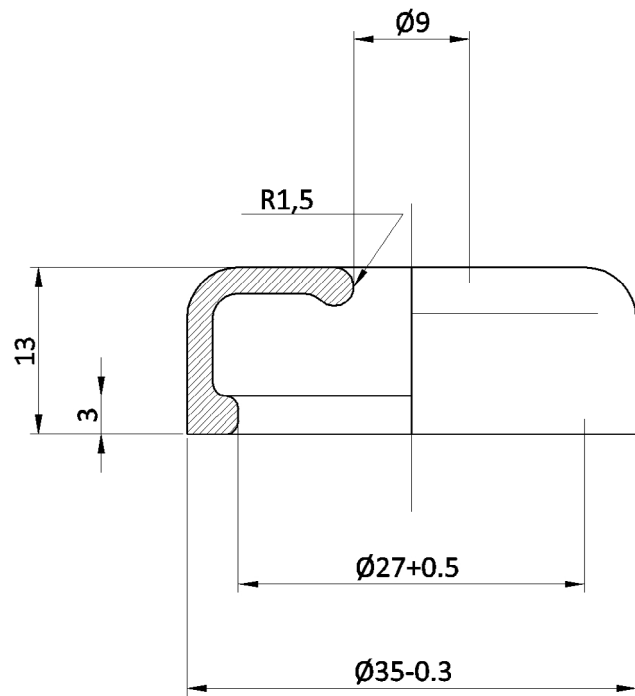


5074

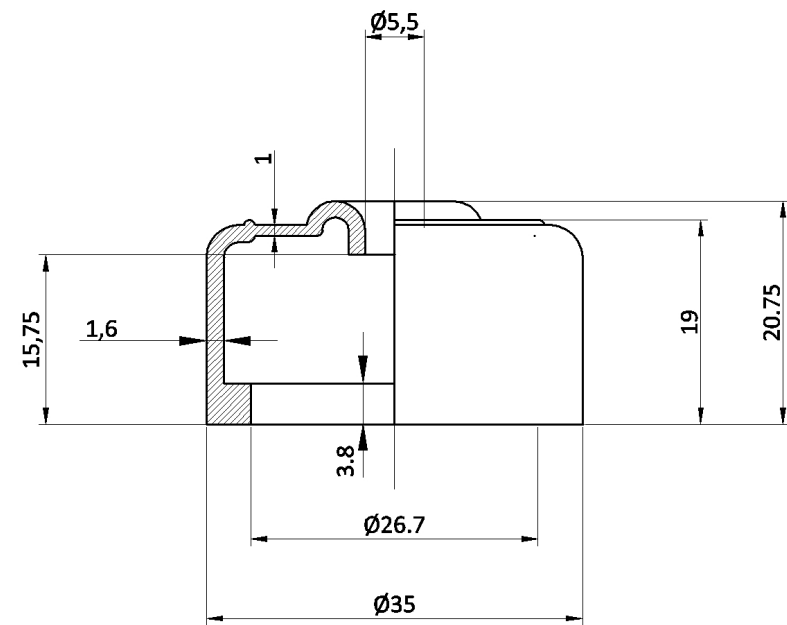


<< Back to all TYPES

5010

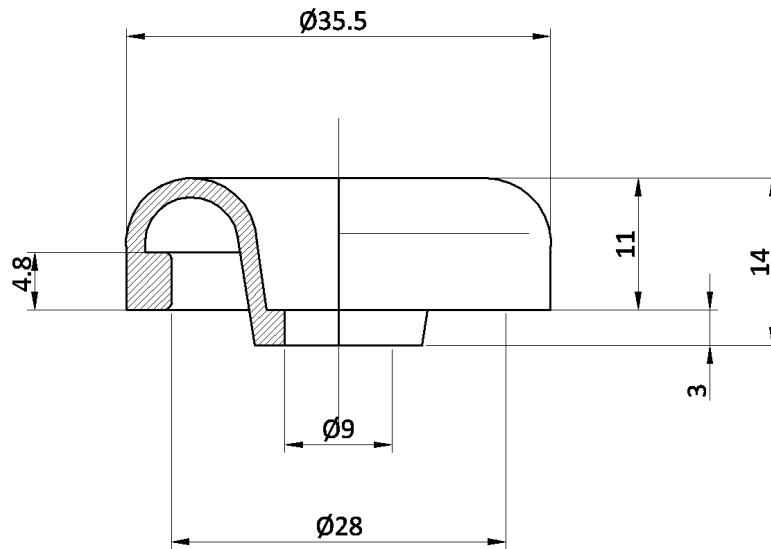


5132

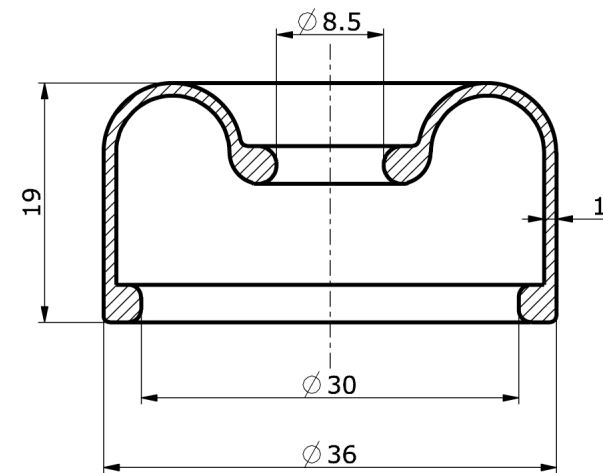


<< Back to all TYPES

5328

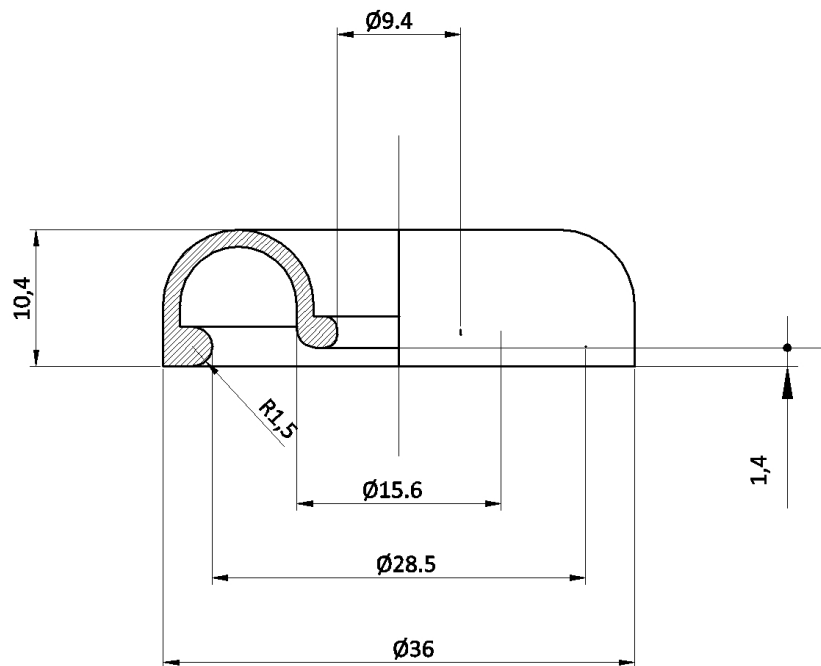


5062

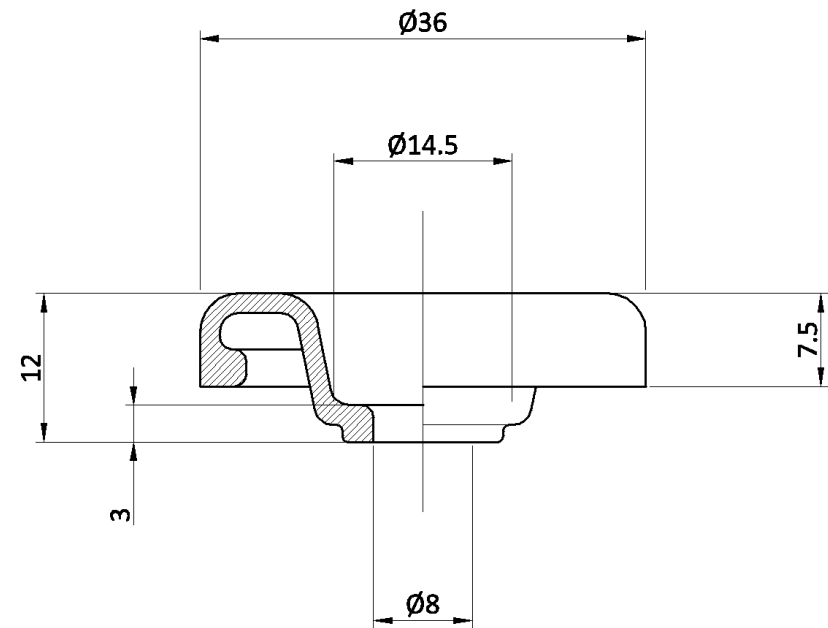


<< Back to all TYPES

5245

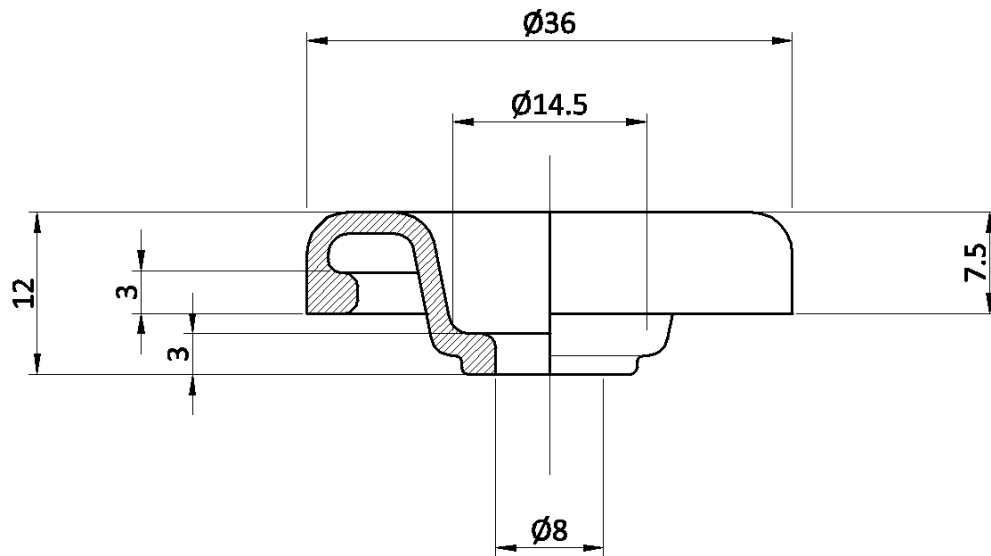


5325

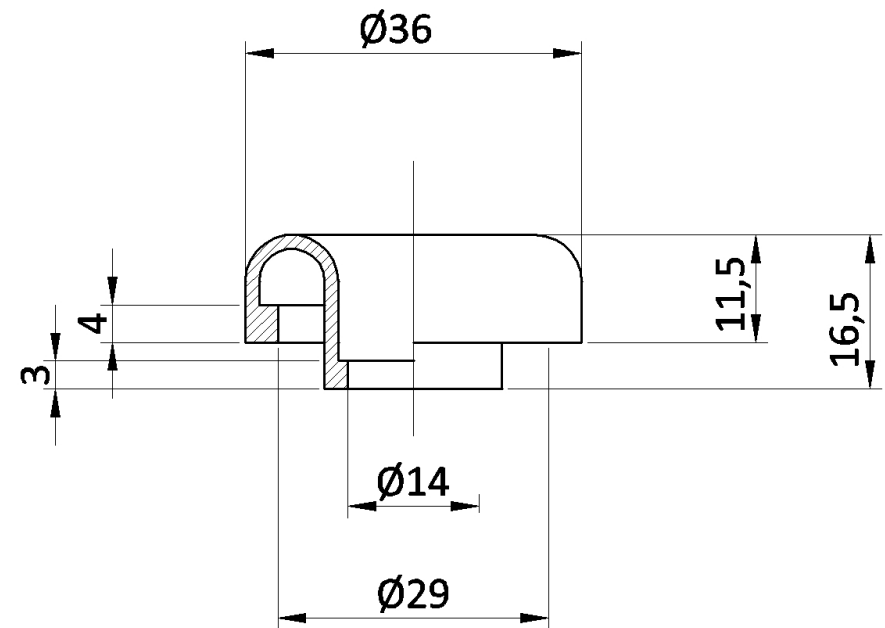


<< Back to all TYPES

5342

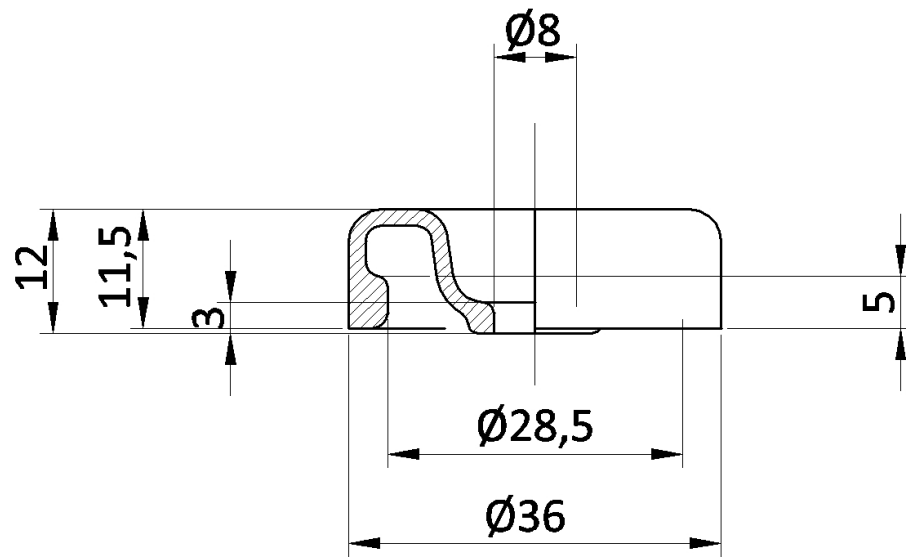


5465

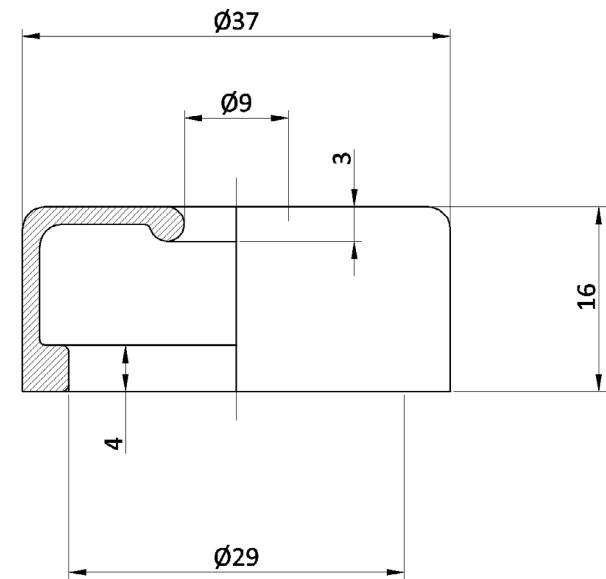


<< Back to all TYPES

5511

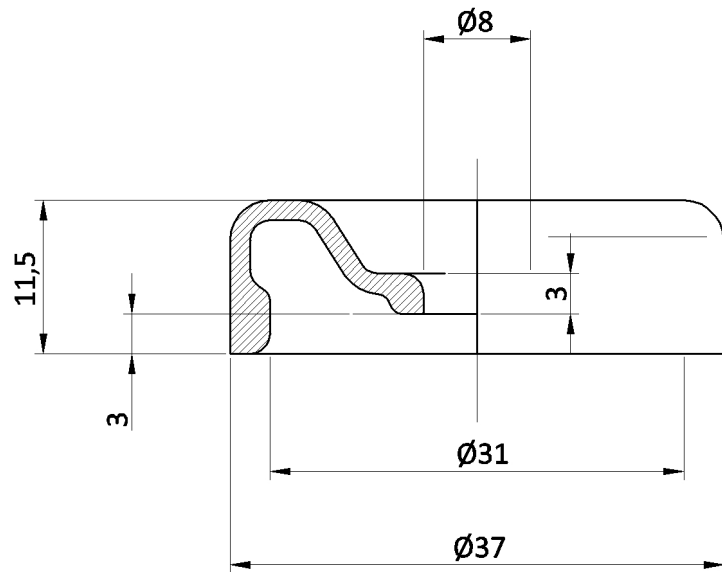


5075

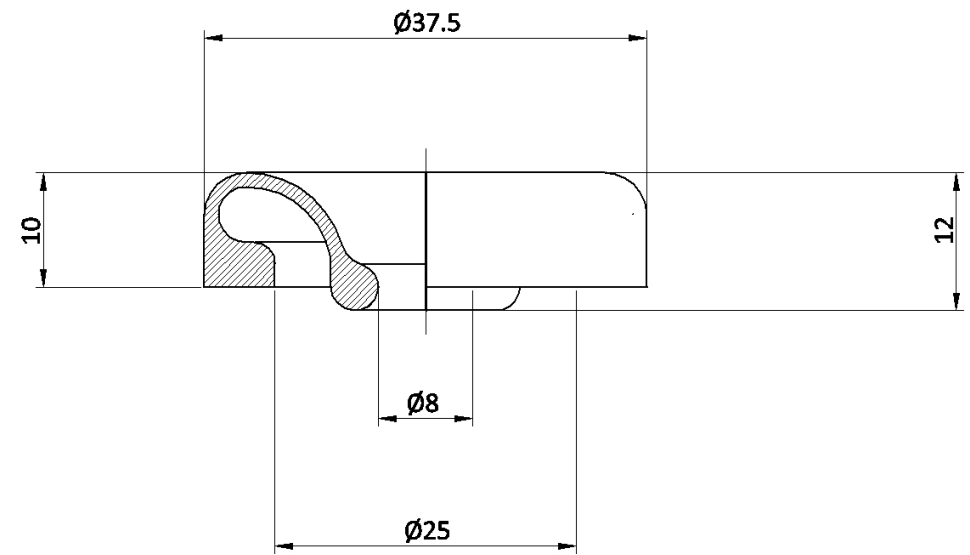


<< Back to all TYPES

3497

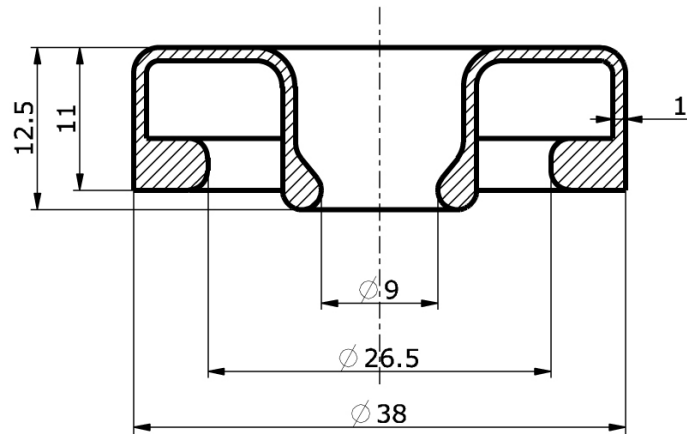


1878

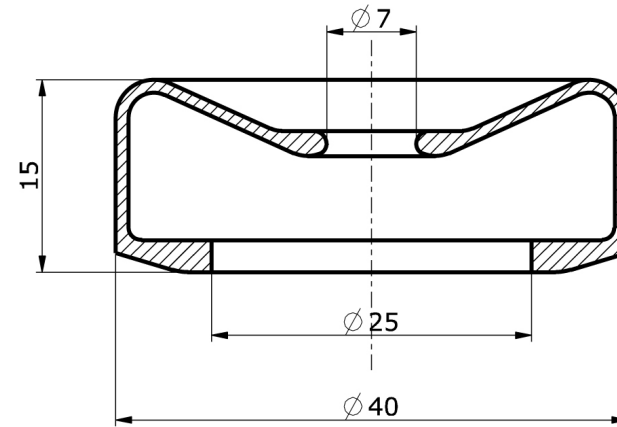


<< Back to all TYPES

5259

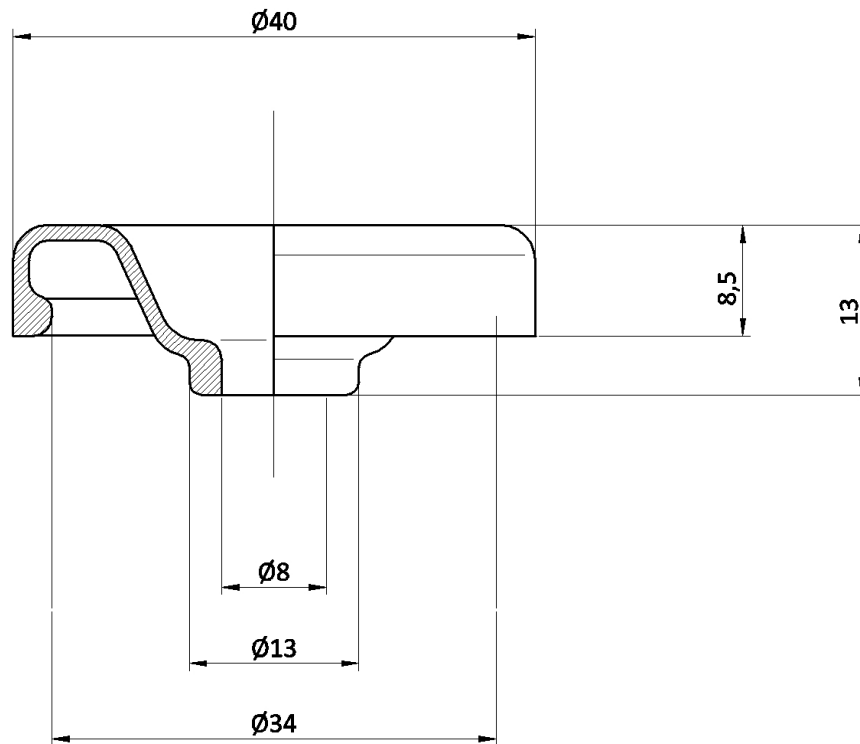


5420

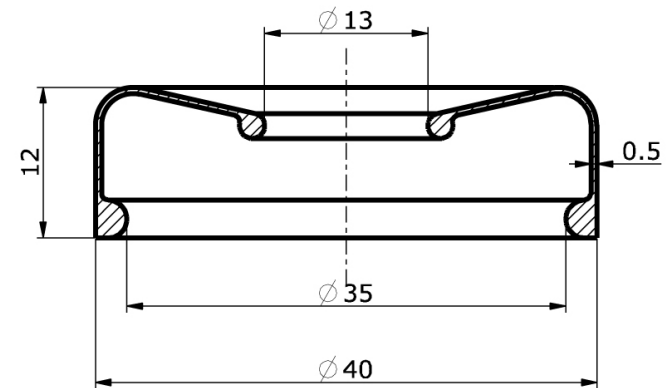


<< Back to all TYPES

5007

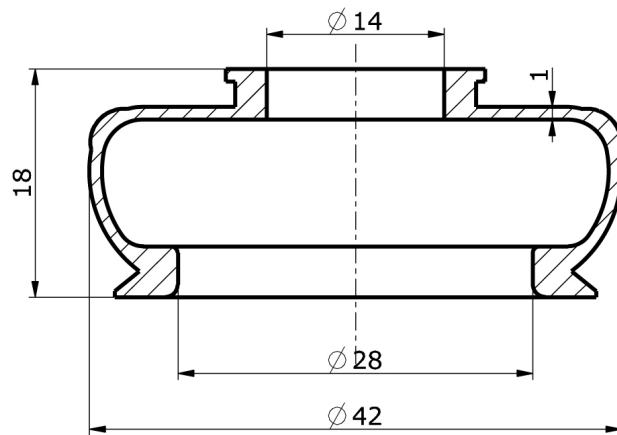


5057

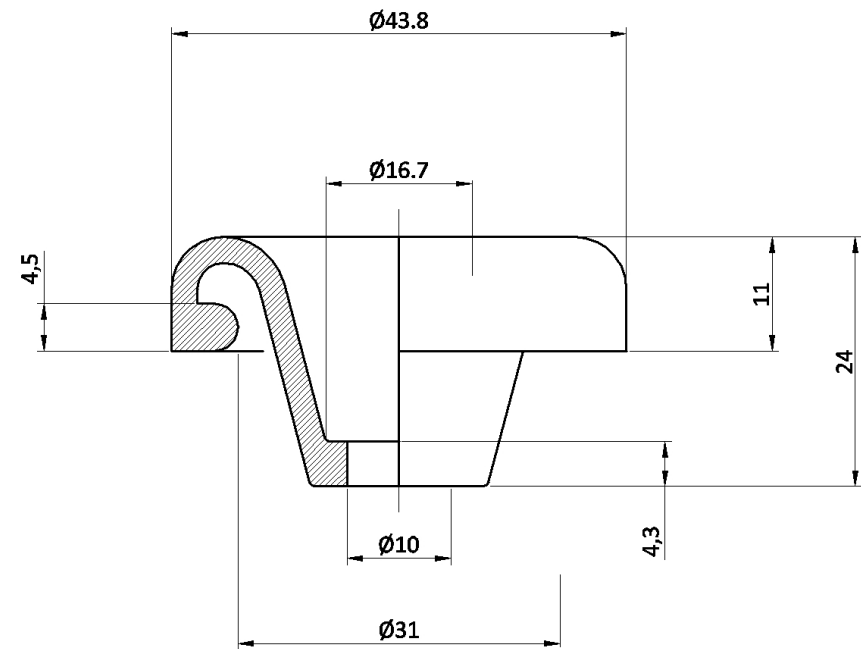


<< Back to all TYPES

2733

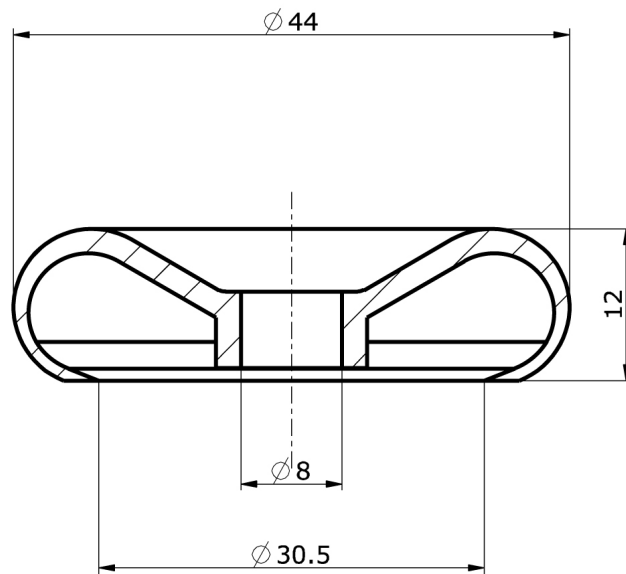


5456

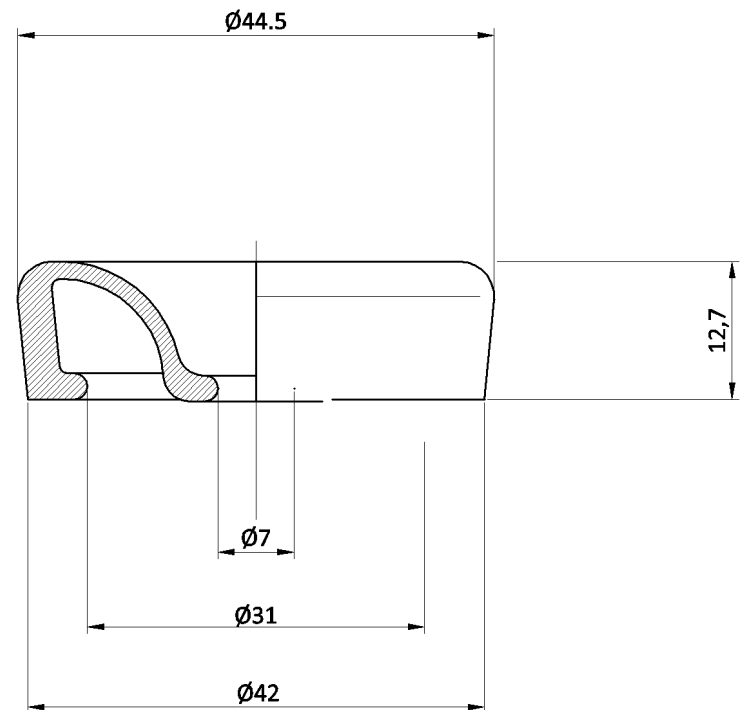


<< Back to all TYPES

2059

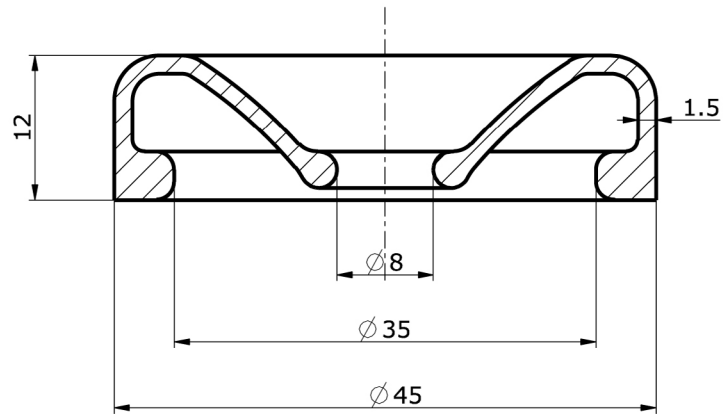


5055

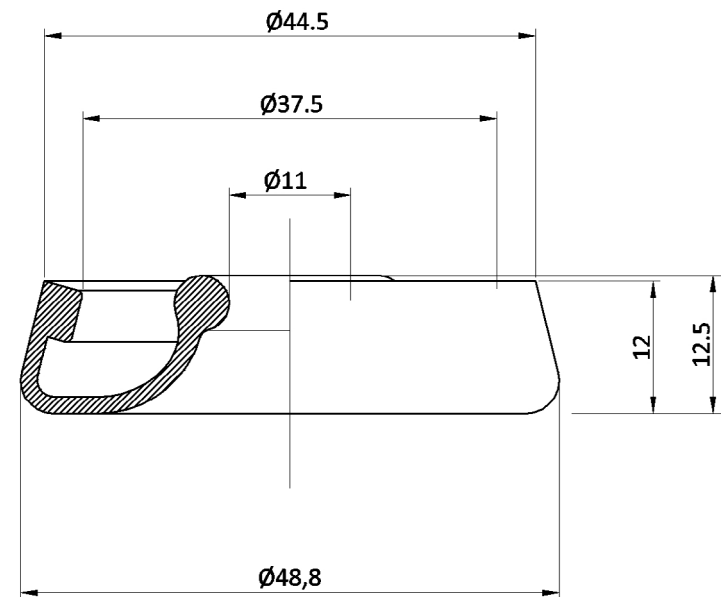


<< Back to all TYPES

2085

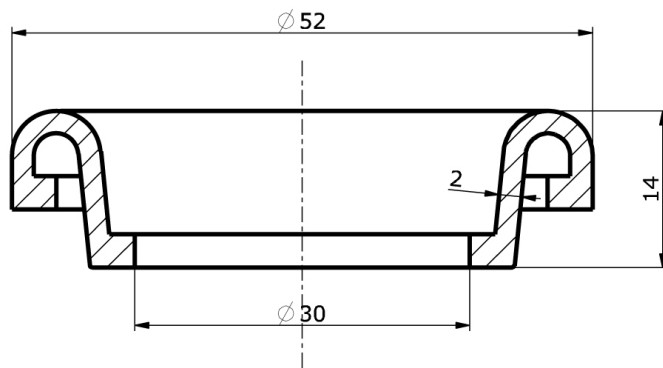


5143

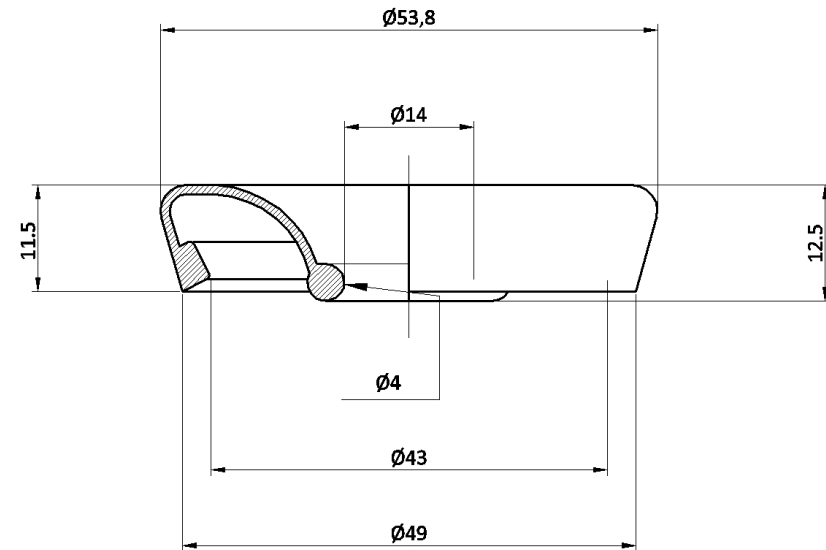


<< Back to all TYPES

5616

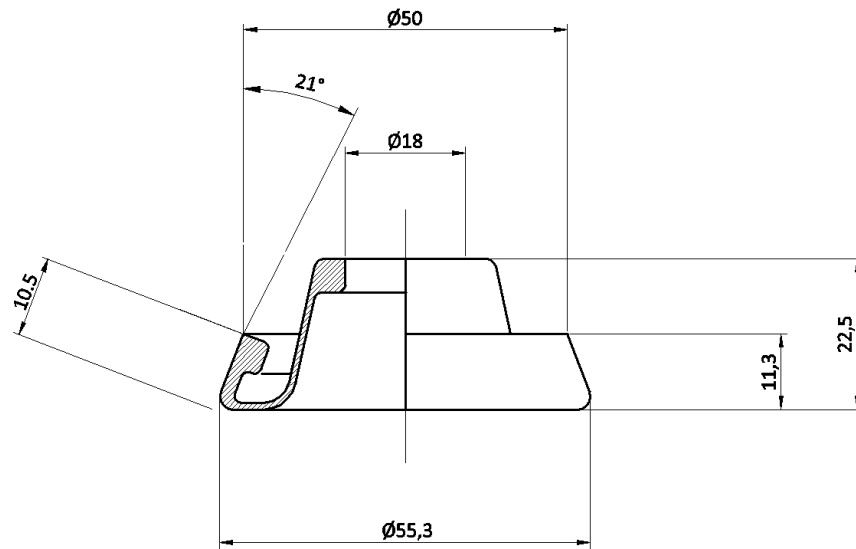


5096

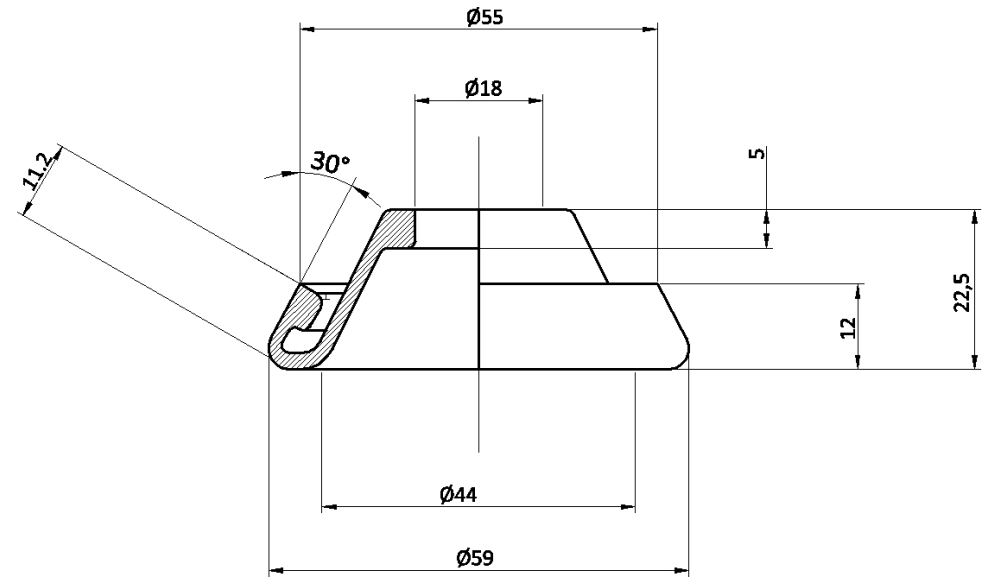


<< Back to all TYPES

5213

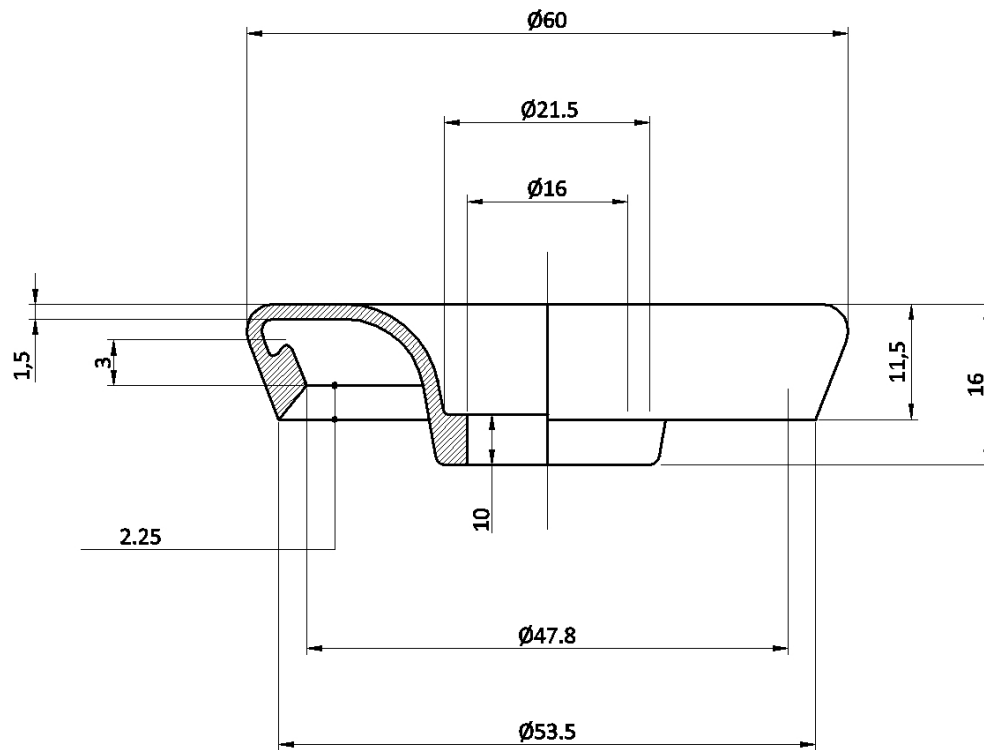


5212

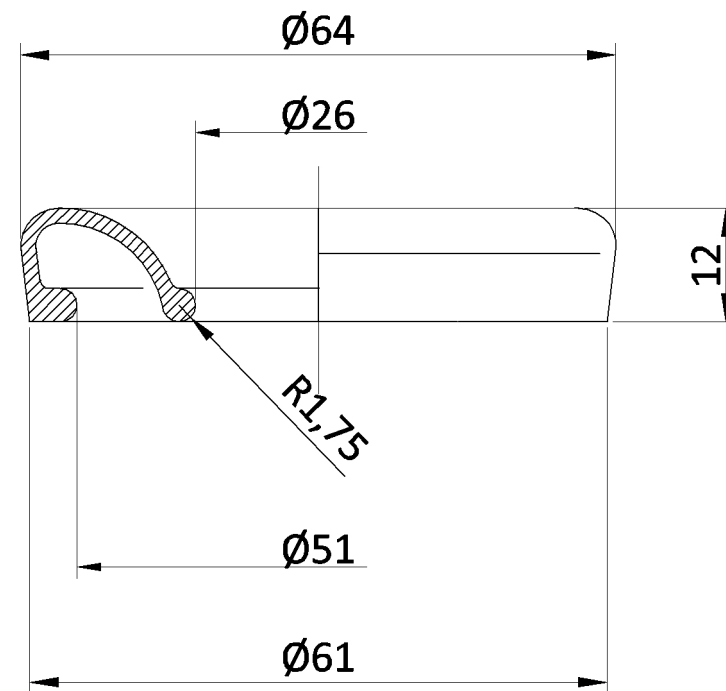


<< Back to all TYPES

5092

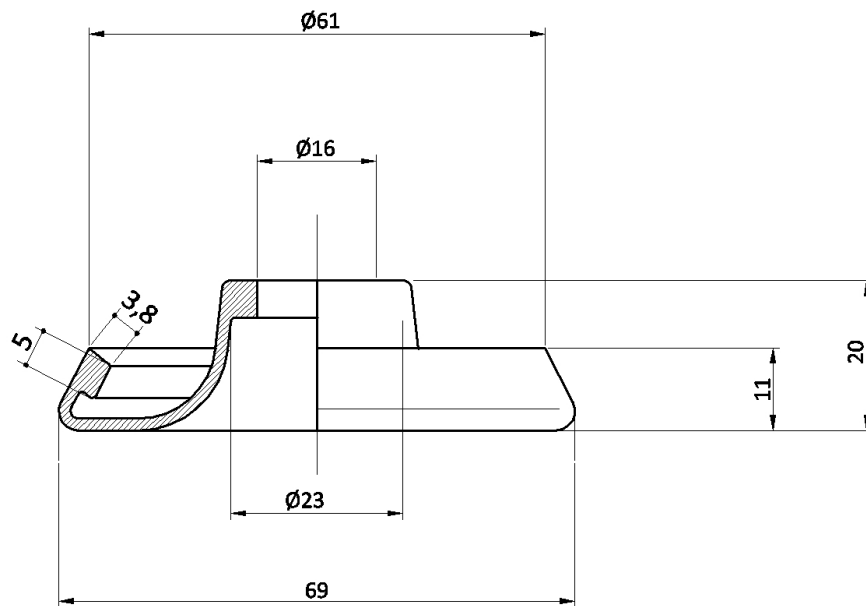


902

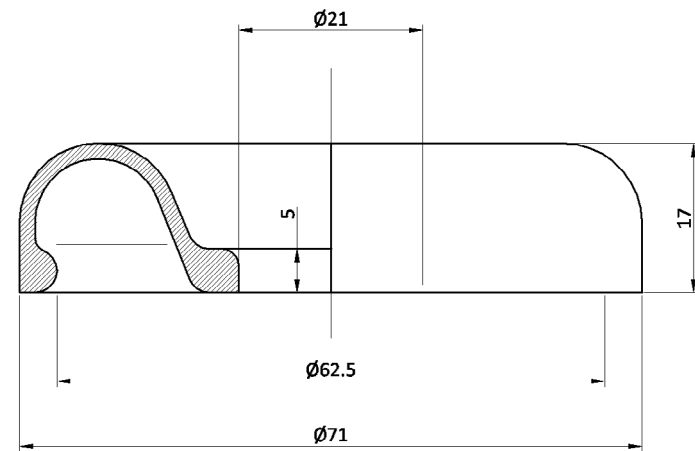


<< Back to all TYPES

5093

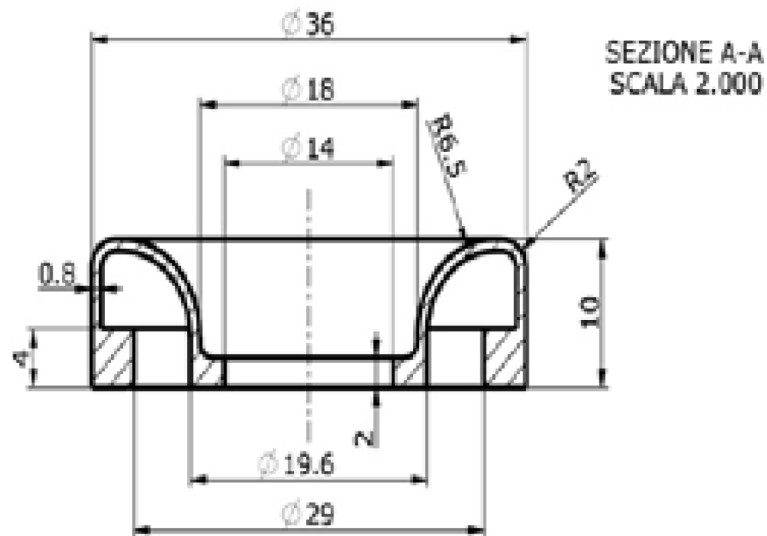


5349



<< Back to all TYPES

5193



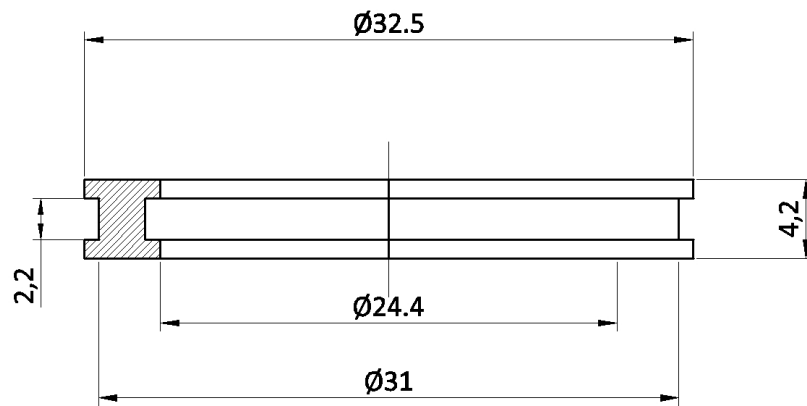
Disk brake boots



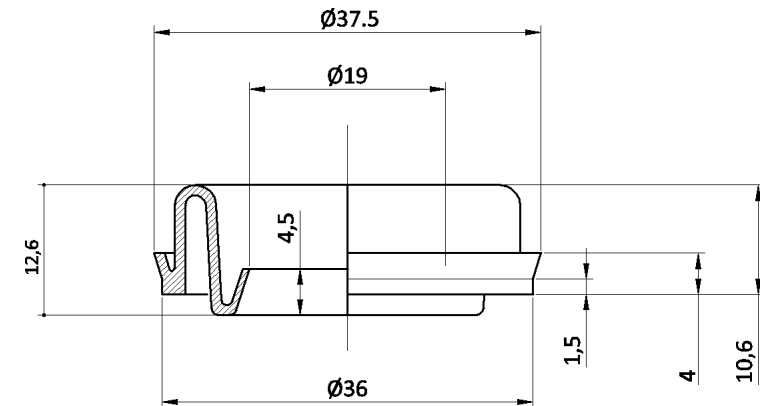
[<< Back to all TYPES](#)

The thumbnails are ordered by increasing size of outer diameter.

5314

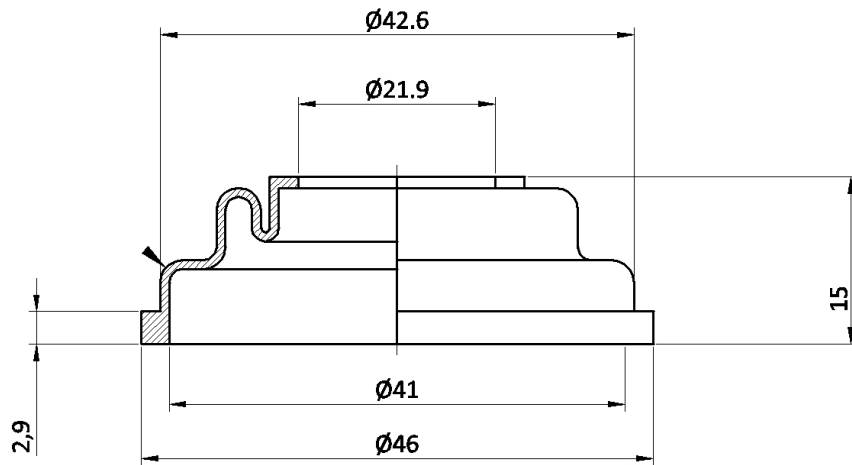


5546

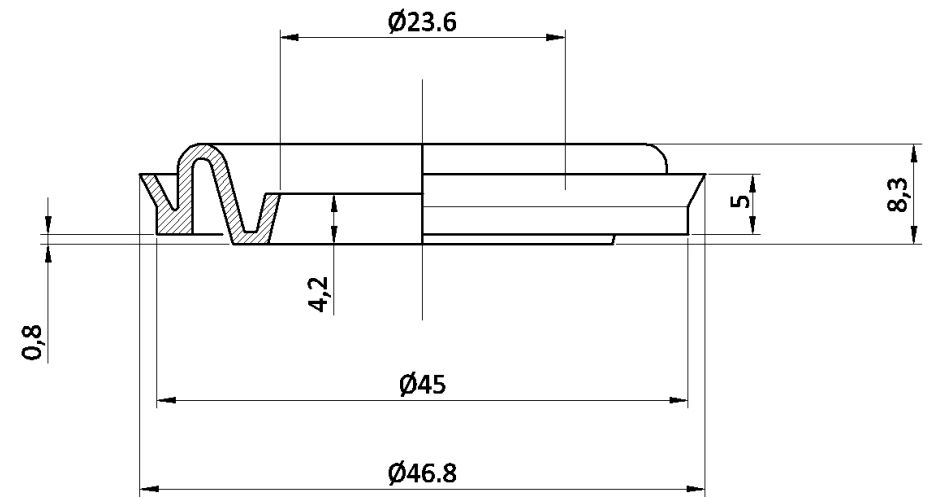


<< Back to all TYPES

5406

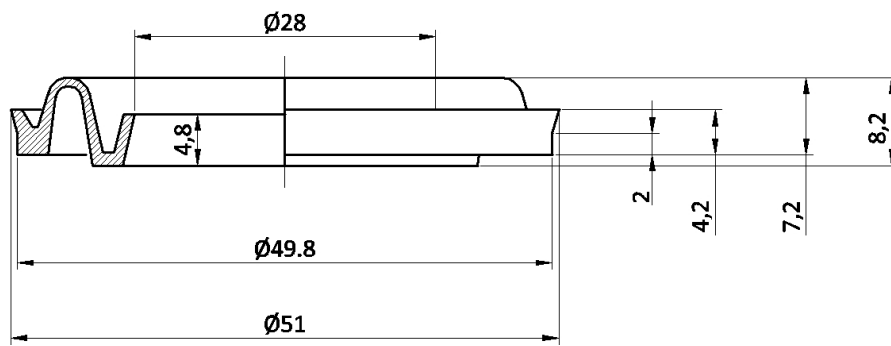


5399

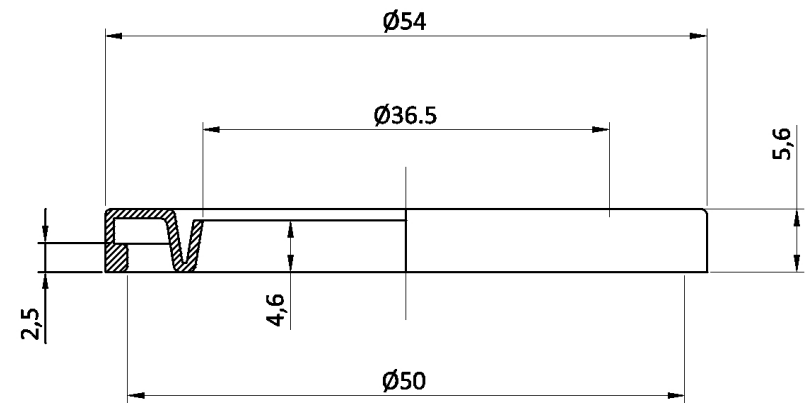


<< Back to all TYPES

5400

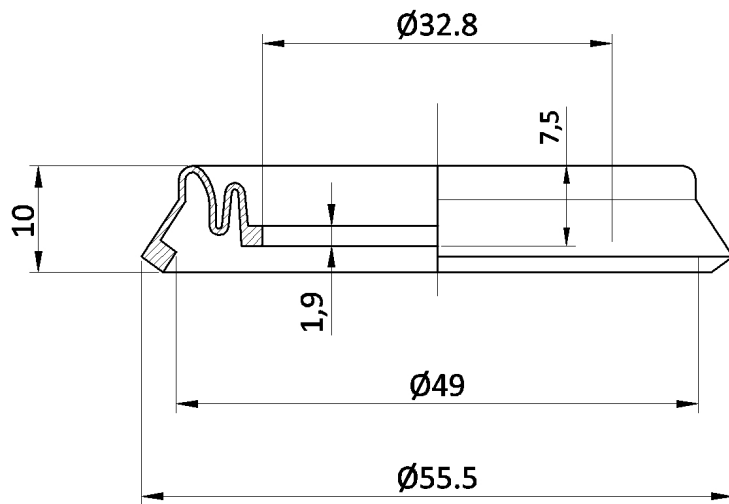


5542

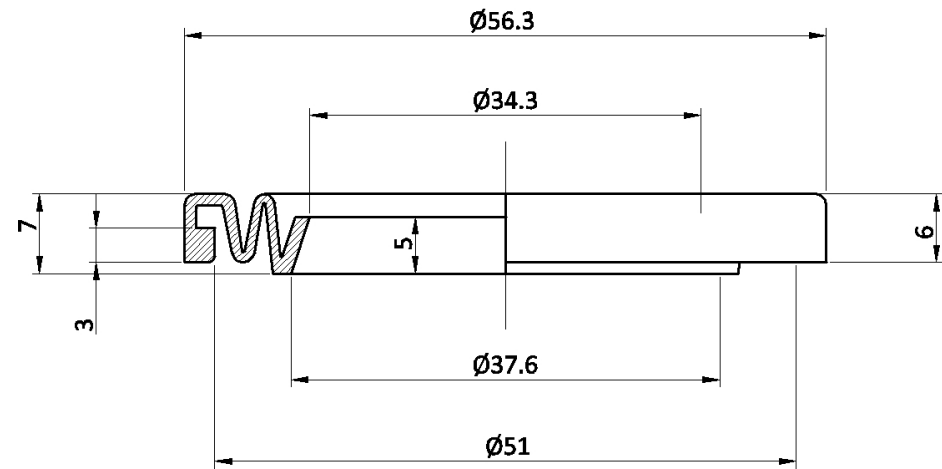


<< Back to all TYPES

5520

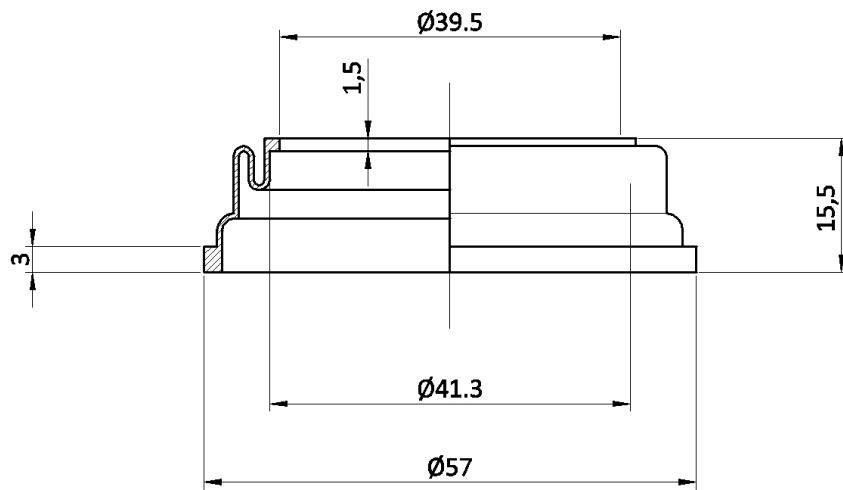


5397

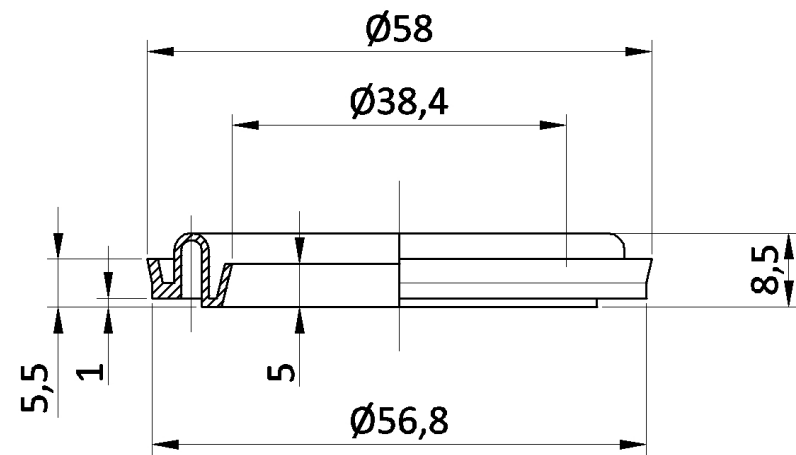


<< Back to all TYPES

5404

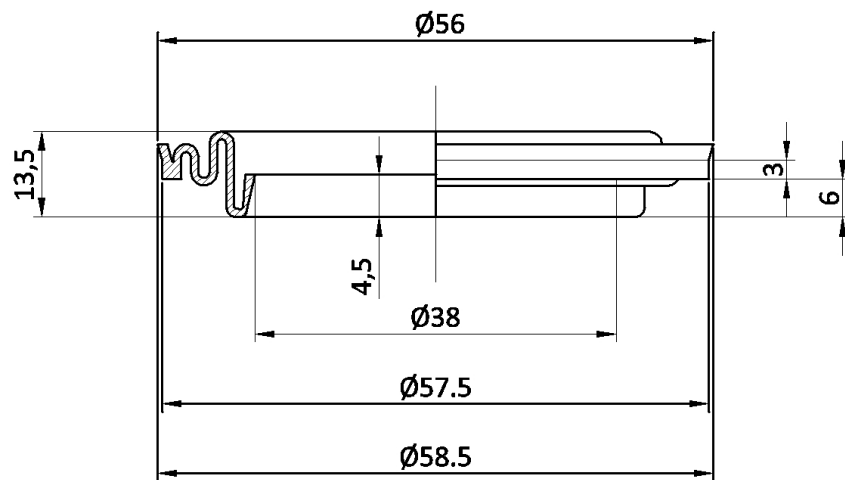


5389

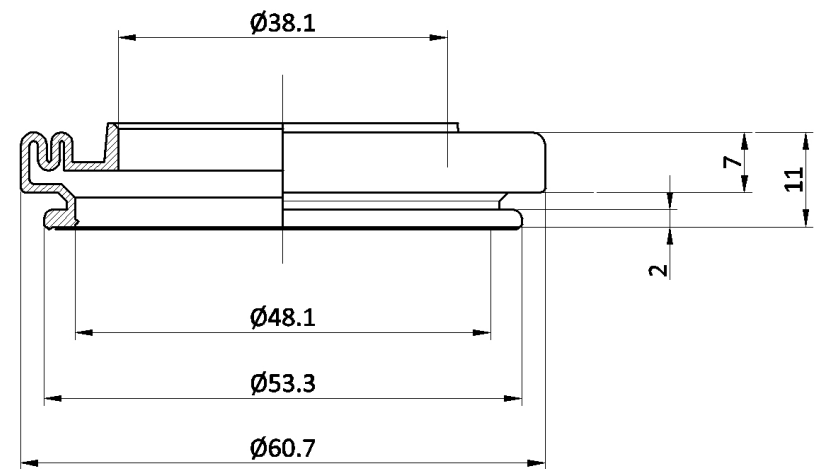


<< Back to all TYPES

5398

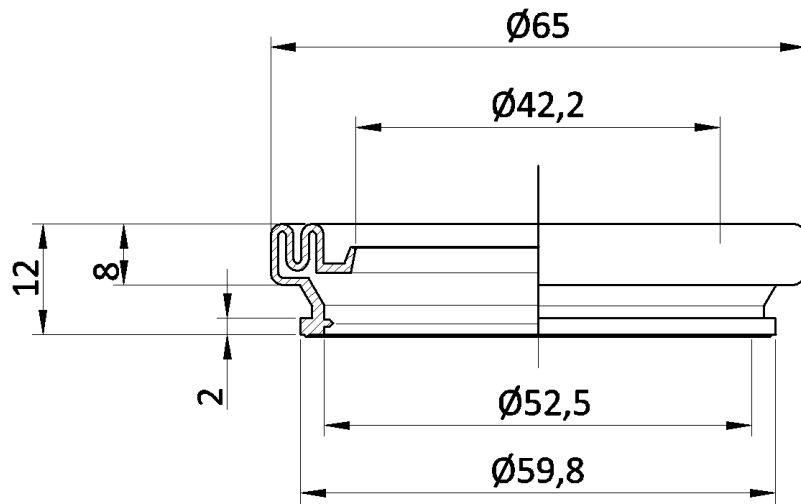


5513

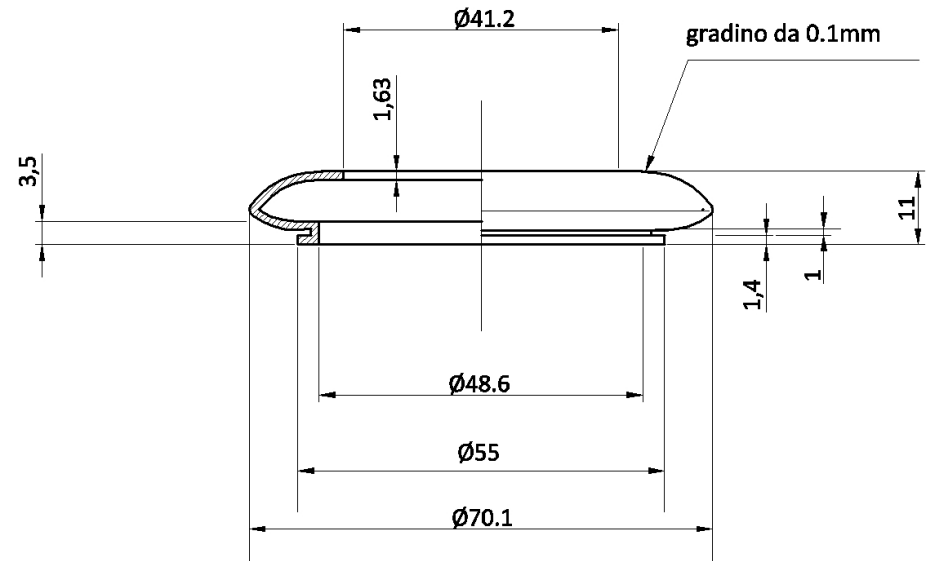


<< Back to all TYPES

5514

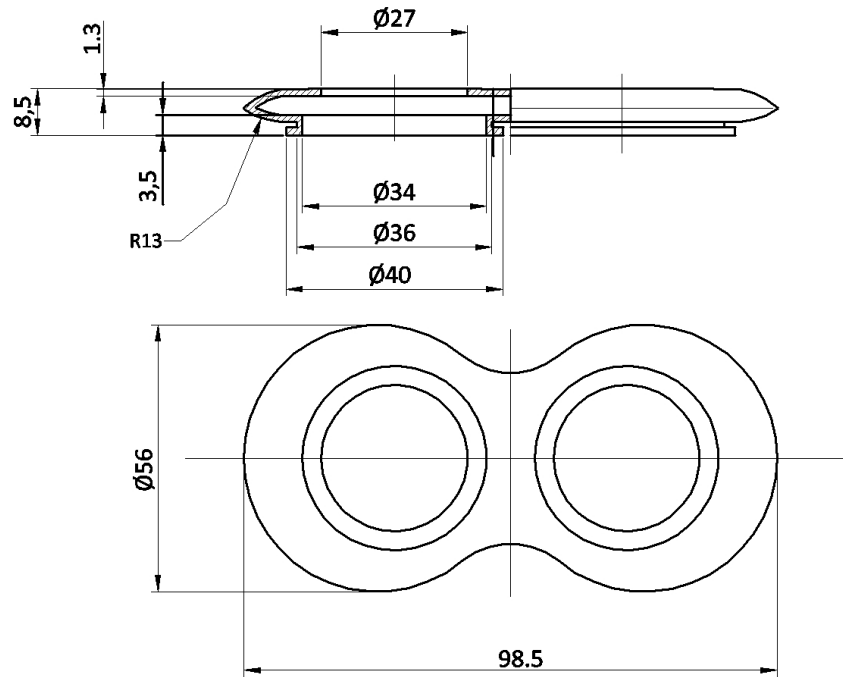


5285



<< Back to all TYPES

5286





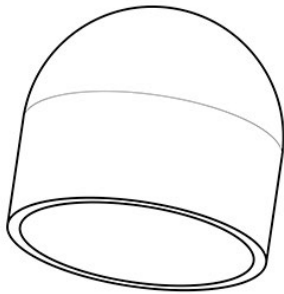
Protection caps



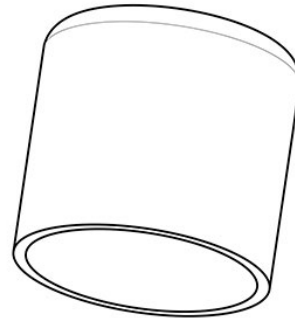
<< Back to all TYPES

Click on the **profile** that suits your needs to access the table with quotations and the SAPAT codes.

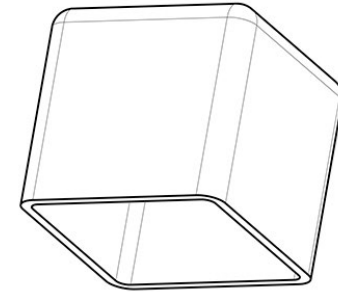
1



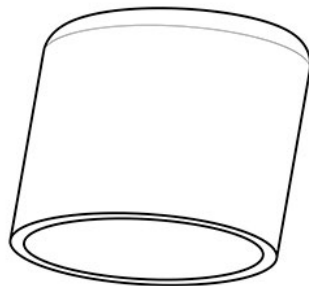
2



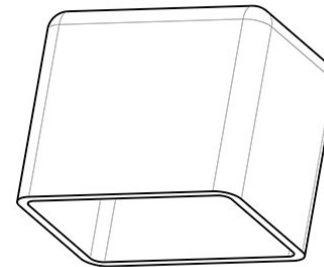
3



4

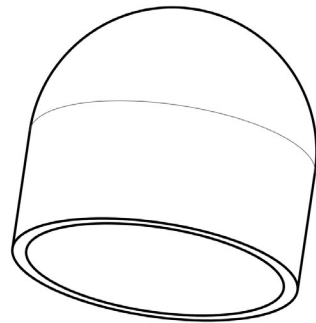
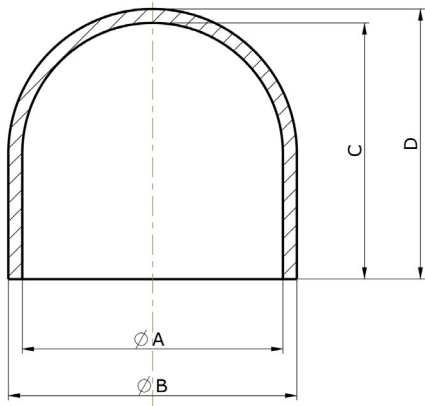


5



<< Back to all TYPES

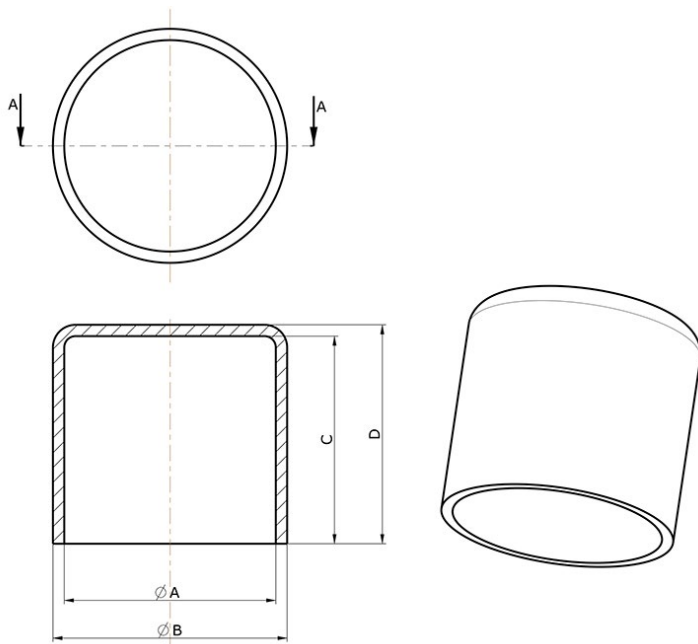
TYPE 1



A	B	C	D	Note	SAPAT Code
5	7	10	24		3998
6	8.5	18	20		4086
9	12	75	78		4393
10	16	13	14		4734
18	30 > 25	38	42		2580
36	40	16	18		2648

<< Back to all TYPES

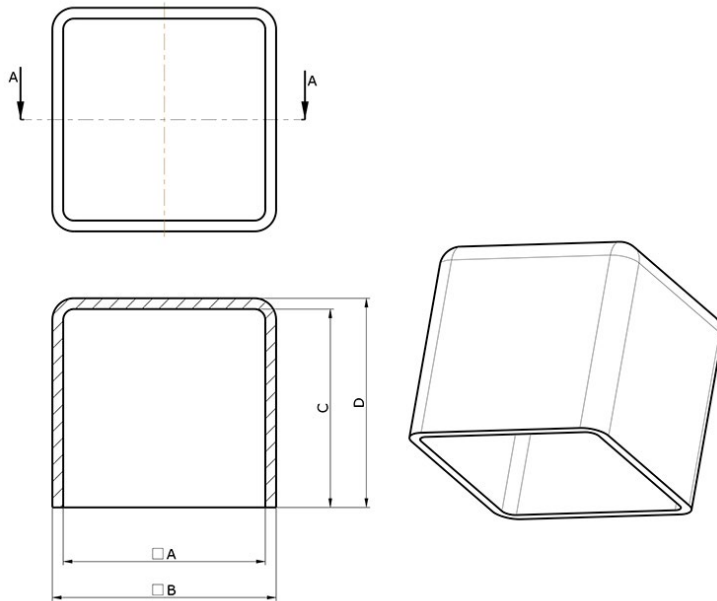
TYPE 2



A	B	C	D	Note	SAPAT Code
5	8.5	7.5	8.5		2987
7	18>>14	20	24	TYPE foot	3796
8	18	12.5	15		379
9	14.5	15.5	22		4408
10	13	10.5	15	TYPE foot	2574
11	22>>19	8	13		4623
12	16.5>>24	7.5	13.5		4633
15	29>>21	24	32	TYPE foot	3790
17	24	8.5	13.5	Int. hexagonal	4679
17	27>>23	31	34	TYPE foot	3559
17	20	13	15		1321
18	34>>24	31	43	TYPE foot	3791
13.6	16	10	11.7		3125
19	22.5	15	16		4851
20	26	14.5	16		3996
20	30	36	40	TYPE foot	2267
20	33	33	35		5149
22	34>>25	24	29	TYPE foot	3649
150	160	20	27	Holed	3611

<< Back to all TYPES

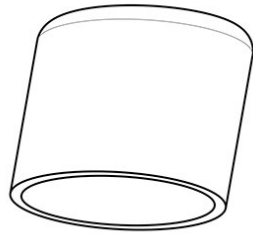
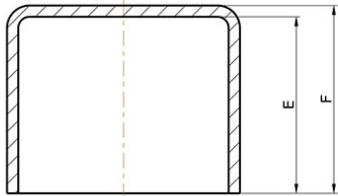
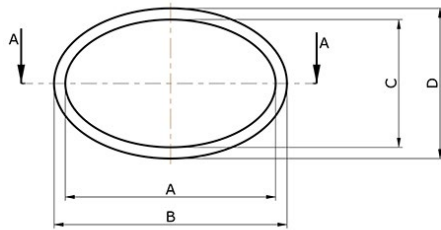
TYPE 3



A	B	C	D	Note	SAPAT Code
28.5	22	31	35		2577
33	25	30	38		2581

<< Back to all TYPES

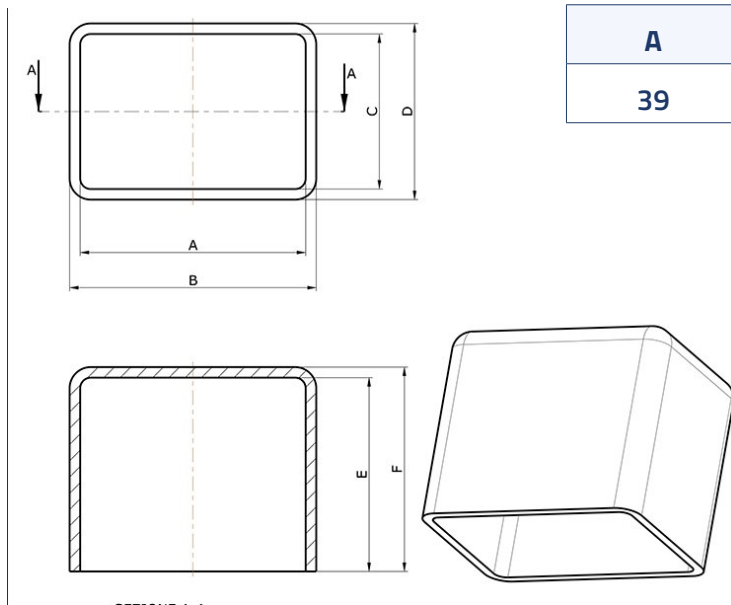
TYPE 4



A	B	C	D	E	F	Note	SAPAT Code
16	18.5	1.5	7	10.5	14		4560
16.5	18	4	7	13.5	17		4595
18	22	7	9	14	17		4206

<< Back to all TYPES

TYPE 5



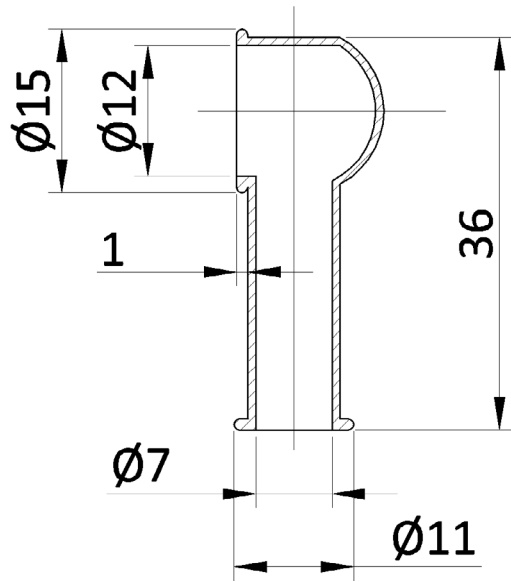
A	B	C	D	E	F	Note	SAPAT Code
39	50	32.5	39	38	45		3864

Pipettes - other caps

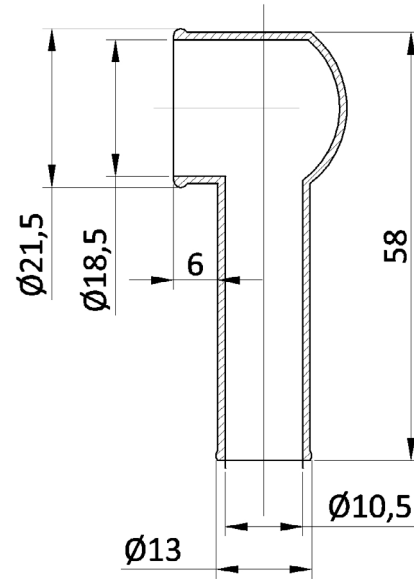


<< Back to all TYPES

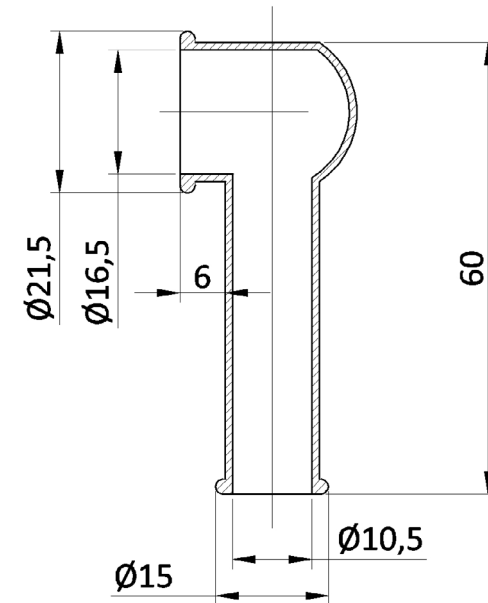
123



124



125



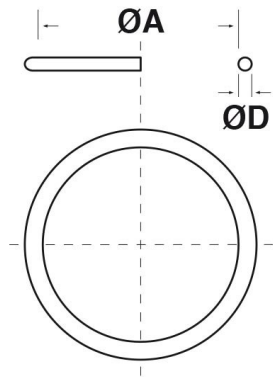


O-Rings



To access the **tables** click on the list below.

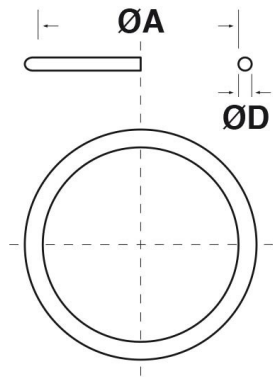
The list is ordered by increasing value of diameter of rod ("Ø D" size)



Ø D
ØD 1 mm
ØD 2 mm
ØD 3 mm
ØD 4 mm
ØD 5 mm
ØD 6 mm
ØD 7 mm
ØD 8 mm
ØD 9 mm
ØD 10 mm
ØD 11 mm
ØD 12 mm
ØD 13 mm
ØD 14 mm
ØD 15 mm and more

<< Back to all TYPES

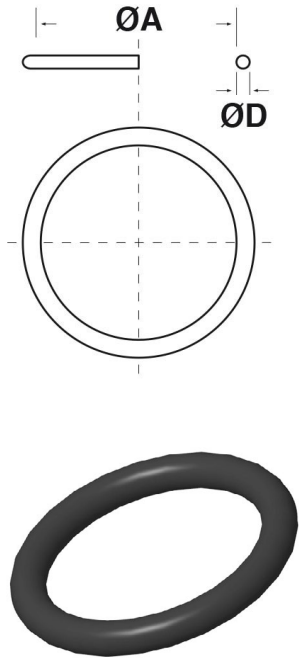
Ø ROUND BAR 1 mm



Ø A	Ø D	SAPAT Code
3,2	1,6	4873
4,5	1	4457/1
4,75	1,6	4874
4,5	1,8	7060
6	1,5	2295
6,6	1,7	1751
22,5	1,3	7609
47,62	1,59	4457

<< Back to all TYPES

Ø ROUND BAR 2 mm



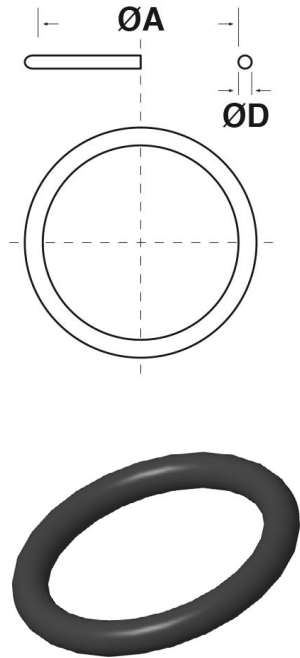
Ø A	Ø D	SAPAT Code
5	2.5	7382
7	2	4710
8	2	7014
11.5	2	7106
11	2.5	4710/1
12.4	2.5	4427
14	2.5	4710/2
14.2	2.38	4553/3
16.3	2.4	4902
16.84	2.72	4456/1
17.6	2.4	3696
21	2	7050
23	2	3717
23.5	2.6	7686
23.7	2.5	4956
25	2	3271
25.1	2.45	7002
28	2	3302
28	2.5	4073
28.5	2.4	4709/1
32	2	3514
33	2	3594
33	2	3578
33	2.5	223
38	2	4600

Ø A	Ø D	SAPAT Code
43	2	4632
42	2.5	4981
59	2.5	7201
62.8	2.1	1910/2
66	2	3888/1
77	2.62	4598
92.9	2.7	4235
92.76	2.62	4579
96	2	2934/1
115	2	4320/1
116	2	2826
120	2.8	4580
154	2	3381
157.5	2.5	1910/1
185	2	2770/1
195	2	4327
210	2	2770
268	2	4416
270	2.3	4545
275	2.65	4711/1
308	2.62	7643

<< Back to all TYPES

Ø ROUND BAR 3 mm

1/3



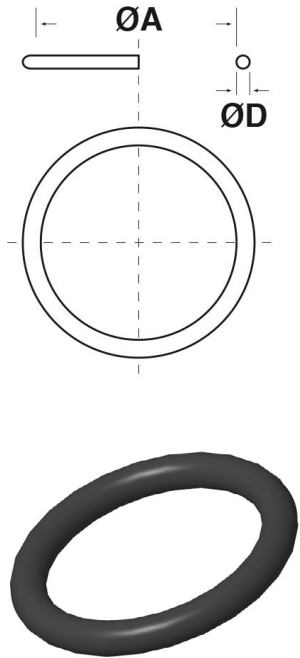
Ø A	Ø D	SAPAT Code
65	3.53	4620
7	3	4056
6.5	3.5	3875
10.3	3.2	4625
10.319	3.17	4759
11	3	765
10	3.5	4373
14	3	3544
14	3	3544
13.49	3.96	4415/1
14.5	3.5	4299
15	3.5	4837
14.228	3.969	4758
17.5	3.25	7105
20	3	7203
20	3	3249
22	3	2594
22.3	3.2	3695
24.5	3	1376
26	3	4710/3
25.4	3.96	4753
26.58	3.53	7092
28.7	3.2	3694
29.2	3	4899
32	3	7202

Ø A	Ø D	SAPAT Code
32	3	3953/1
31	3.5	7061
32	3.4	3872
33	3	1641
32.4	3.8	4167
34.5	3.53	3217
36	3	584/1
37	3	4709
36	3.5	4171
38.5	3.17	4541/1
38	3.5	4433
40	3	3236
40	3	3135
41	3	4294
40	3.15	4542
41.27	3.15	4815
42	3	3953
42.86	3.17	4415
44.45	3.17	4553/2
45	3	4675
44	3.5	3888
45	3.5	4578
45	3.5	4572
48.4	3	4934
50	3	4749

<< Back to all TYPES

∅ ROUND BAR 3 mm

2/3



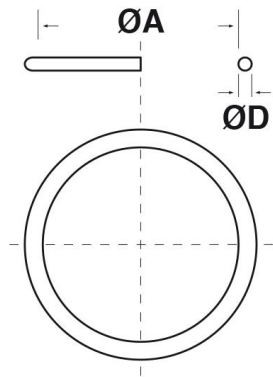
∅ A	∅ D	SAPAT Code
49.5	3.5	4784
50	3.3	4789
50.8	3.17	4541
53	3	7376
53.97	3.17	4743
55	3.5	4797
59.37	3.17	4700
60.32	3.17	4701
61	3.5	4456
65	3	2205
72	3	7079
75	3	354/1
95.6	3.5	3286
82.5	3.2	7005
84	3	4816
84	3.5	3016
88.6	3.6	4553
91	3.5	4097
94	3	4935
96	3	4980
98.4	3.17	4554/1
298	3.75	3465
100	3	2221
101.6	3.17	4872
101	3.5	7176

∅ A	∅ D	SAPAT Code
104	3.1	7205
110	3.75	3403
114	3.5	3392
115	3.5	2934/2
128	3.75	1811/3
142	3	3000/1
146	3.17	4554
154	3	2801/3
160	3	3211
166	3.75	1811/2
170	3	2711/1
171	3	4293
177	3	2855/1
179	3	2801/1
189	3	2855
190	3	2711
190	3.5	3522
195.5	3.5	3523
209	3	2801
215	3	3520/1
219.075	3.175	4712/1
218	3.75	1811
240	3	2854
240	3	2825
245	3	2504

<< Back to all TYPES

Ø ROUND BAR 3 mm

3/3

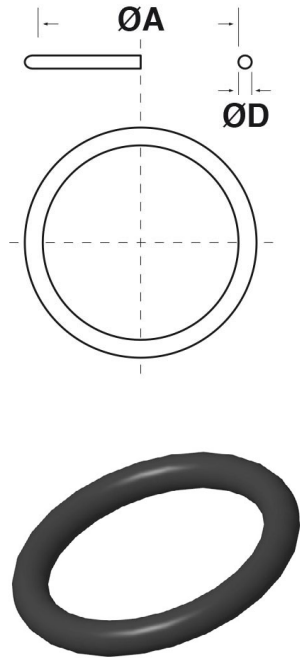


Ø A	Ø D	SAPAT Code
249	3	2365
296.8	3.59	4606
305	3.2	2889
319	3.5	3911
455	3.5	4183

<< Back to all TYPES

Ø ROUND BAR 4 mm

1/2



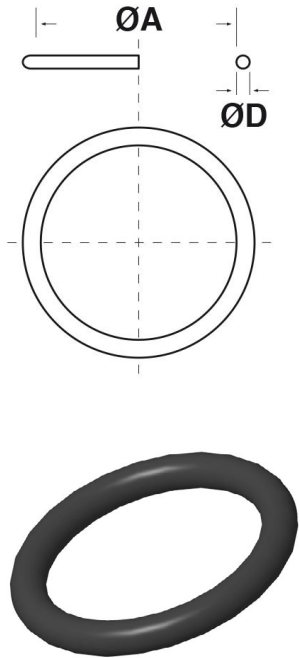
Ø A	Ø D	SAPAT Code
7	4.5	3543
7.8	4.5	3589
10	4	4900
13.5	4	4669
12	4	7288
15.5	4	4438/1
16	4	4300
19	4	7206
18	4	4645
21	4	4857
21	4	620
20.63	4.5	4443
22.2	4.75	4621
25	4	4868
26	4	346
27	4	4442
28	4	4436
28	4.5	7346
30	4	7297
30	4	4228
31	4	4836
31.75	4.76	4414
34	4	4840
36	4	4438
37	4	4098/1

Ø A	Ø D	SAPAT Code
38	4	7255
38.5	4.5	4661
40	4	4842
39.688	4.76	4752
44	4	4869
45.4	4	4937
45.4	4	4909
45	4.5	584
48	4	4788
49	4	3085/1
49	4	3027
47.8	4.75	4656
51.8	4	4938
52	4.5	4748
52	4.5	4097
57	4	4695
60	4	3085
60.32	4.76	4845
62	4	3123/1
62	4.8	3464/1
64	4	7025
66	4	4440
68	4	7291
70	4	7010
72	4	4953

<< Back to all TYPES

Ø ROUND BAR 4 mm

2/2



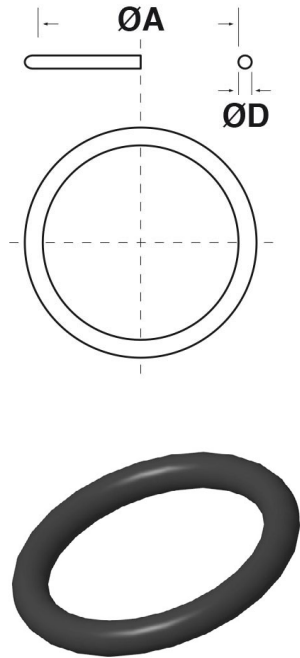
Ø A	Ø D	SAPAT Code
72	4	2701
71	4.8	3466/1
73	4	2570
74	4	3123
74	4	2515
76	4.2	4707/1
77.5	4.6	4835
79	4.8	3464
74.8	4	4957
83	4	1811
83	4.5	4042
82.55	4.76	4540/2
85	4	4098
85.7	4.7	4554/2
89.6	4.5	4844
90.3	4.76	4726
93	4.8	3466
103	4	2330
111.12	4.76	4540/1
117	4	1129/1
117.47	4.76	4539
128	4	530/2
127	4.76	4833
133.25	4.76	4540
158.75	4.76	4859

Ø A	Ø D	SAPAT Code
170	170 4	7190
170	4	2620/1
176.21	4.76	2619/1
182.48	4.76	2631
185.7	4.76	2620
192	4.76	2619
198	4	3520
203.2	4.75	4923
205	4	2854/1
203	4.8	4495
210	4.1	4082
220	4	3175
228	4.5	4428/1
235	4	3076
257	4	4051
268	4	3792/1
314	4	3792
314	4	2378/1
380	4	4673

<< Back to all TYPES

∅ ROUND BAR 5 mm

1/2



∅ A	∅ D	SAPAT Code
10	5	4464
12	5	1154
15	5	4756
16	5	7289
18.5	5	4948
18.5	5	4247
17.5	5.5	1641/1
20	5	7259
20	5.5	7204
22	5	4395
23	5.5	4787
25	5	4662
26	5	7258
28	5	7019
29	5	4680
28.4	5.3	4446/1
28.4	5.3	3123/3
29.5	5	4437
28.4	5.5	4056/1
30.2	5.6	4622
30.8	5.6	4570
32	5	4774
33	5	4657
34.5	5	4255
37	5	4321

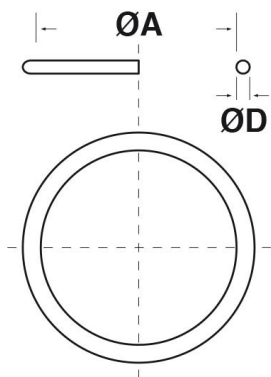
∅ A	∅ D	SAPAT Code
37.2	5	4704
38	5	4403
38	5	3464/2
40	5	7300
40	5	347
42	5	7250
44	5	7026
44.2	5.7	4708
46	5	3762/1
46.6	5.3	2515
48	5	4484
50	5	4891
49.2	5.7	4530
55	5	4687
56	5	2056
55.5	5.5	4785
57.9	5	4940
59	5	4548
60	5.8	3762
64	5	7256
65	5	4731
67	5.3	2719/2
68.7	5	3963
79	5.35	1221
89	5	3534/1



<< Back to all TYPES

Ø ROUND BAR 5 mm

2/2



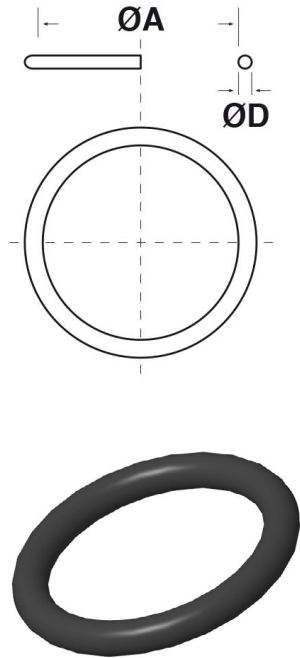
Ø A	Ø D	SAPAT Code
90	5	7134
94	5.5	7056
94.7	5.3	4833/1
98	5	2852
102	5	2611
102	5	1525/1
126	5	2488
125	5.5	2934
128	5.3	2719
133	5	2658/1
135	5	1525/2
139	5.5	2796
144	5	1910
144.2	5.7	4707
147	5	2751/1
155	5	1525
158	5.33	4901
170	5	2922/1
174	5	1598
180	5	1534
190	5	4819
192	5	3912
209	5.3	2659
220	5	4607
225	5	2751

Ø A	Ø D	SAPAT Code
255	5.5	4606
289	5.7	7189
317	5	1933
405	5	2944
420	5	2381/1
493	5	1690

<< Back to all TYPES

Ø ROUND BAR 6 mm

1/2



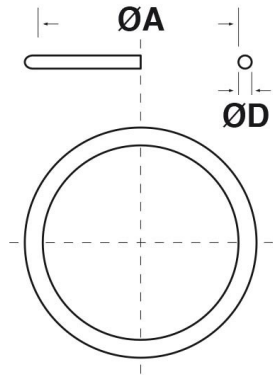
Ø A	Ø D	SAPAT Code
13	6	7155
16	6	4703
20	6	4686
21	6	4670
22	6	7241
24	6	7001
25	6	7143
26	6	3085
26	6	622/1
25	6.5	7200
30	6	4796
32	6	7000
31	6.5	3100/2
64	6	4642
34	6	924
36.5	6.35	4413
39	6	4426
41	6	7275
41.5	6	3963/1
44	6	4653
45	6	3934
44	6.5	4496
46 6	6	4972
48	6	7069
50	6.3	4879

Ø A	Ø D	SAPAT Code
51.7	6	7117
52	6	622
57	6	3935
98	3.75	3465/1
58	6.5	3465
84.5	6.35	4235/1
70	6	4911
77.6	6	3802/1
85	6	4798
86	6	7230
90	6	658
98	6	4952
102	6	7280
103	6	3538/1
105	6	3656/1
110	6	3000/3
112	6	1150
115	6	658/1
119	6	7099/2
119	6	3000/2
124	6	7389
124	6	3538
134	6	659/1
137	6	658/2
139.5	6.1	3989

<< Back to all TYPES

Ø ROUND BAR 6 mm

2/2

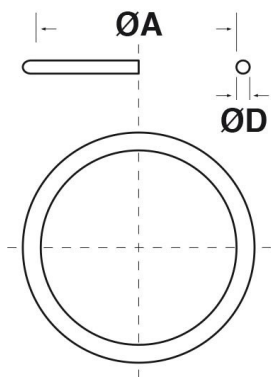


Ø A	Ø D	SAPAT Code
141	6	658/3
144	6	659
150	6	7099
154	6	2631/1
158.7	6.4	2658
190	6	7191
197.5	6.4	4234
205	6	4773
209	6	3632/1
210	6	3699/3
245	6	644
256	6	3699/2
260	6	3076
292	6.5	3174
336	6	4045
335	6	2856
388	6	2941
410	6	1384
420	6.3	1293/1
493	6	2379



<< Back to all TYPES

Ø ROUND BAR 7 mm



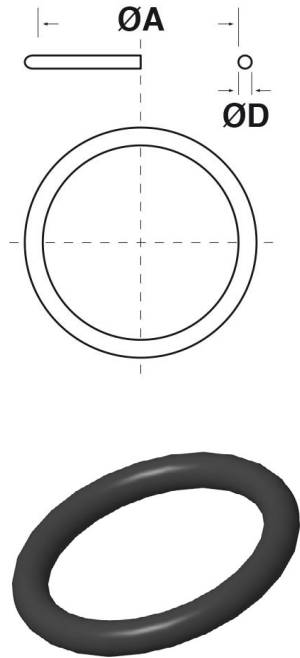
Ø A	Ø D	SAPAT Code
16	7	4856
16.3	7.2	4939
17	7.5	3634
20	7	4665
48	7	1811
22	7	1611
23.5	7	4389
24	7	4599
25	7	7243
30	7	7287
31.75	7.14	4626
37	7	1640
41	7	3804/1
49	7	7118
51	7.5	1915
56	7.5	3204
63	7	3804
67	7.5	7385
70	7	4858
88.4	7.5	4725
90	7	4663
91	7.5	3889
94	7	2658/2
111	7	3207/1
113	7	3534

Ø A	Ø D	SAPAT Code
120	7	484
170	7.5	2375
225	7	3699/1
244	7	4545/1
250	7	2894
275	7	3699
288	7	4545/2
312	7	3356
393	7	2340

<< Back to all TYPES

Ø ROUND BAR 8 mm

1/2



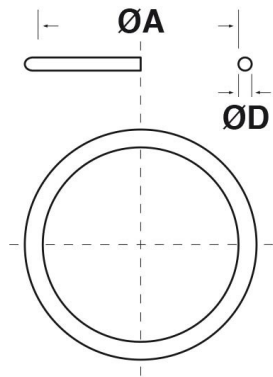
Ø A	Ø D	SAPAT Code
11	8	2414/1
17.4	8	4941
19.7	8	4949
22	8	3659
25	8	7274
27.5	8	1559
30	8	374
33	8	4841
38.5	8.5	4882
39	8.5	7074
48	8	7107
48	8	7102
52	8	4666
52	8	484/2
57	8	4705
62	8	3482/2
65	8	2134
65.5	8	3989/2
67	8	7276
70	8.5	3483/1
73	8	4256
75	8	3403
76	8	3745/1
75	8.5	4603
82	8	7114

Ø A	Ø D	SAPAT Code
84	8	7078
86.7	8	4953
95	8	4775
96	8	530
99	8	3989/1
100	8	484/1
104	8	3745
116	8	1269/1
128	8	3889/1
140	8	2488/1
147	8	1269
174	8	7099/1
185	8	3913
204	8	2922
210	8.5	3870
222	8	1998
234	8	2053
235	8	1750
240	8.5	4712
242	8	3870/2
248	8	1387
253	8	1841
270	8.5	4428
274	8.5	3870/1
310	8	3632

<< Back to all TYPES

Ø ROUND BAR 8 mm

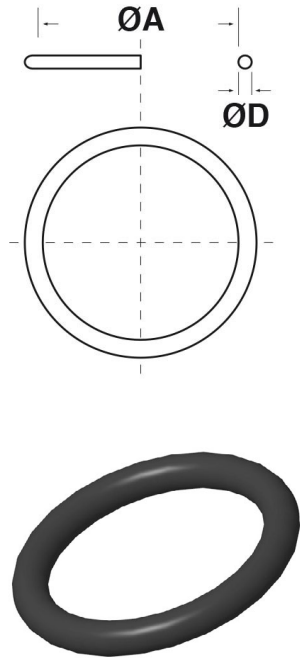
2/2



Ø A	Ø D	SAPAT Code
330	8.5	3871
353	8.5	2941
360	8.5	1933
450	8	2379/1

<< Back to all TYPES

Ø ROUND BAR 9 mm

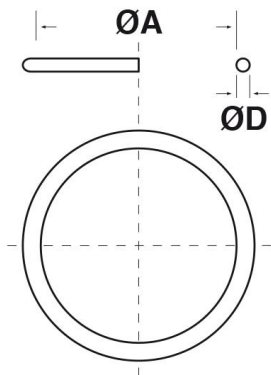


Ø A	Ø D	SAPAT Code
26.5	9	4855
32	9	7257
43.5	9.5	3466/2
16	9	3553
48	9	3005/1
50	9	4892
75	9	3005
84	9	4602
100	9	3483
101	9.5	7336
108	9	505
110	9	7137
110	9	3482/1
117	9.5	7168
135	9	3482
175	9	2712
190	9	1888/1
210	9	1890
215	9	1888
240	9	3520
279.5	9.5	2378
258.7	9.53	2660
375	9	3216
444	9.5	2381



<< Back to all TYPES

Ø ROUND BAR 10 mm

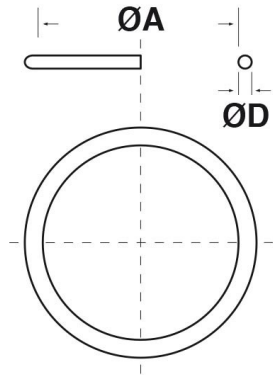


Ø A	Ø D	SAPAT Code
23	10	7020
36	10	4954
36.3	10	4388
38.5	10	4185
39	10	3659/1
40	10	4182
41	10	3015/1
45	10	4441
50	10	4446
55	10	7286
55	10	1887/2
60	10.5	3014
65	10	7321
69.5	10	7305
73	10	7246
75	10	4103
80	10	4102
82	10	3015
85	10	1887/1
100	10	3237
115	10	1887
128	10	1295/2
160	10	245
195	10	1295

Ø A	Ø D	SAPAT Code
197	10	7265
216	10	3081
220	10	1248
225	10	2660/1
240	10	1934
270	10	2491
347	10	1294
403.5	10	3732/1
447	10	1293
632	10	1292

<< Back to all TYPES

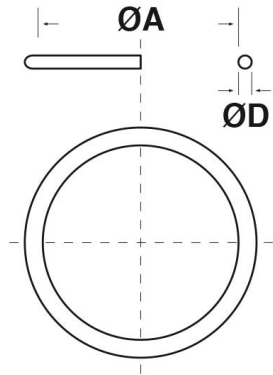
Ø ROUND BAR 11 mm



Ø A	Ø D	SAPAT Code
30	11	3142
53	11	2836
75	11	7247
304.8	11.1	4950

<< Back to all TYPES

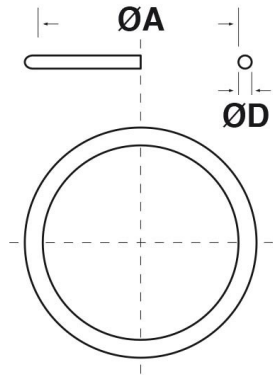
Ø ROUND BAR 12 mm



Ø A	Ø D	SAPAT Code
25	12	7298
30	12	3193
70	12	4320/1
80	12	7248
84	12	7304
90	12	7313
95	12	7315
100	12	7314
101	12	1910
108	12	7282
114	12	7169
122	12	7207
140	12	3207
145	12	530
160	12	1295/1
170	12	1248/1
173	12	3076/1
202	12.5	7281
209	12	4975
210	12	1296
238	12	3911/1
274.5	12	4970
318	12	1000
370	12	3732
418	12	1741

<< Back to all TYPES

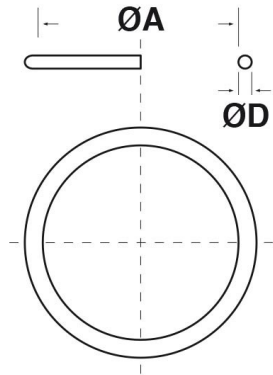
Ø ROUND BAR 13 mm



Ø A	Ø D	SAPAT Code
32	13.5	2205/1
35	13	2414
50	13	2142
79	13	3823
150	13	7249
170	13	353

<< Back to all TYPES

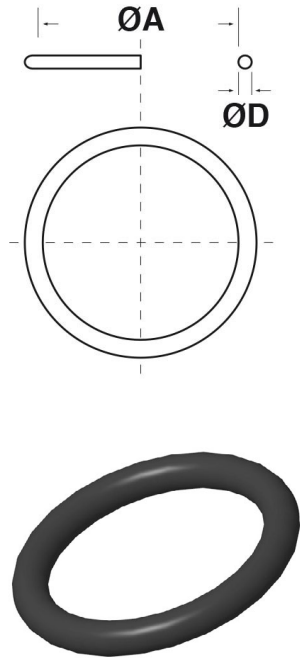
Ø ROUND BAR 14 mm



Ø A	Ø D	SAPAT Code
59	14	4608
80	14	3581/1
82	14	354
108	14	4372
120	14	3581
135	14	7306
145	14	7349
150	14	7348
200	14	7347
260	14	251
300	14.5	1294/1
330	14	538

<< Back to all TYPES

Ø ROUND BAR 15 and >15 mm



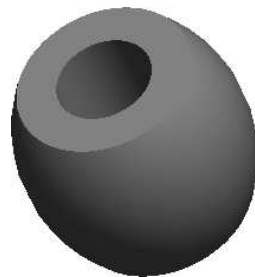
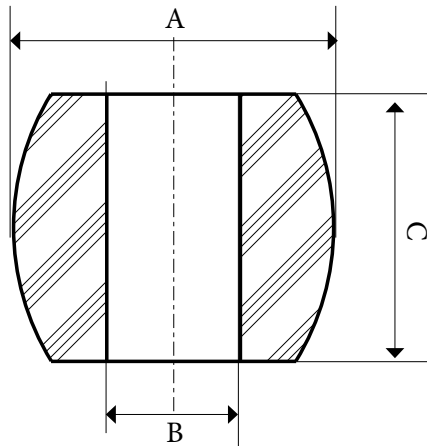
Ø A	Ø D	SAPAT Code
28	15	2190
50	15	374
59	18	2664
70	15	3743
64	19	705
74	18	1095
89	15	1864
96	15	7338
100	15	1724
100	19	2143
147	18	2445
150	19	2144
135	32	1876
185	25	579
176	15.5	3000
180	15	7333
185	15	2221/1
265	32	3517
324	17	2204
350	18	2376
400	20	56



Convex sleeves



See the **table** below in order of increasing values of External diameter ("A" size).



A	B	C	SAPAT Code
30	12	32	7397
30	12	34	4582
32.5	22	21	7023
35	22	21	7012
40	25	22	7011
48	20	52	4219
49	24.5	35	4469
50	32	36	4512
54	27.5	40	4470
58.5	31.7	47	4475
60	25	65.2	7500
65	36	56	1605
69	34.5	52	4474
74	30	78	7500/1



Bumpers

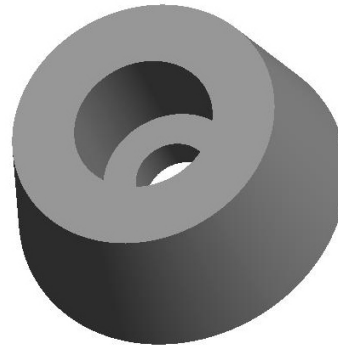


Click on the **profile** that suits your needs to access the table with quotations and the SAPAT codes.

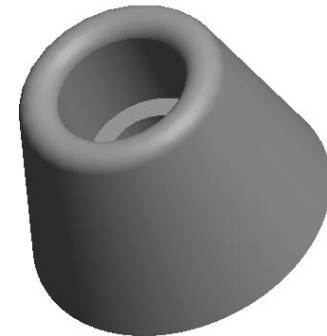
1



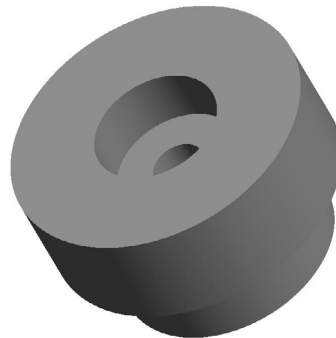
2



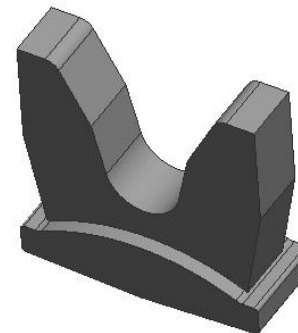
3



4

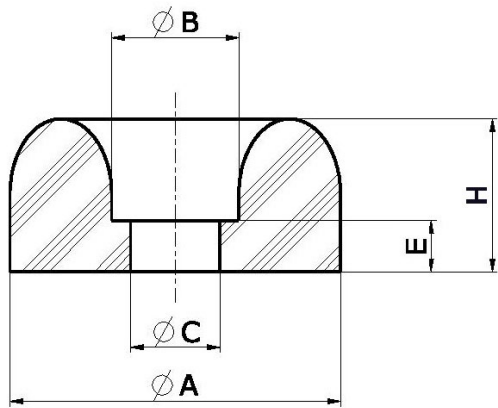


5



<< Back to all TYPES

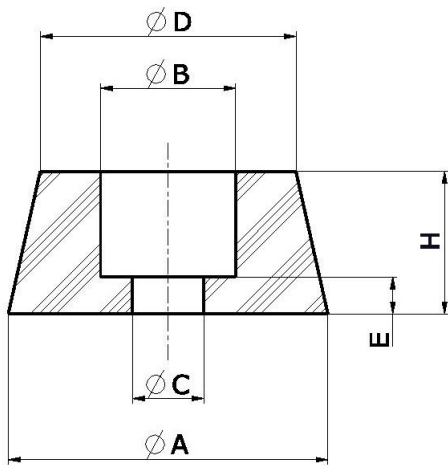
TYPE 1



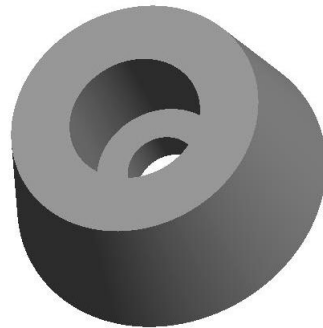
A	B	C	E	H	SAPAT Code
13	-	4	4	8	377
13	5	3.5	2	5	292
25	10	5	7	10	64
30	12	5	5	10	7295
30.5	13	5	10	18	7294
40	18	8	16	24	7150
42.5	20	7	6	12.5	3401

<< Back to all TYPES

TYPE 2

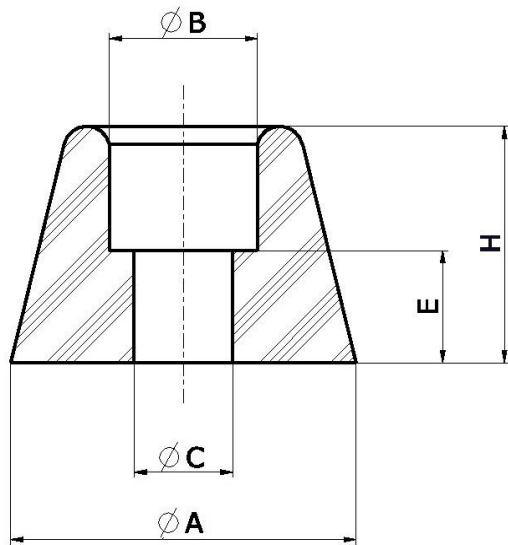


A	B	C	D	E	H	SAPAT Code
22.5	9.5	5	18	2,5	10	993
25	10	5	18	9	15.5	7273
25	10	5	19	11	25	971
25	10	6	19	11	35	3357
26	10	5	20	11	21	2568
38	12	6	16	-	22	3388

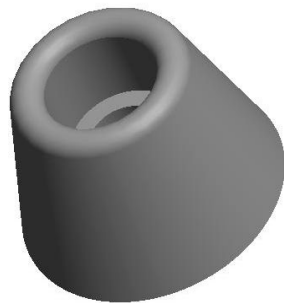


<< Back to all TYPES

TYPE 3

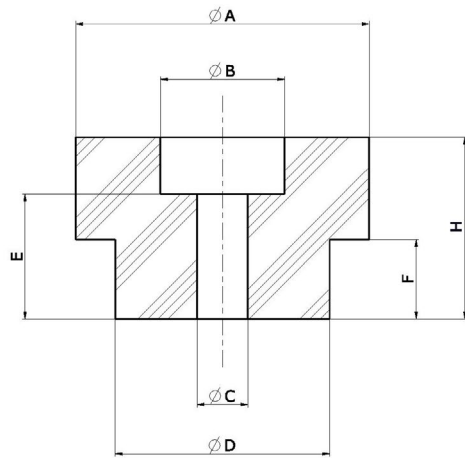


A	B	C	E	H	SAPAT Code
14	5	4	5	9.5	1391
18	6.5	3.5	2.5	9	7293
18	10	4.5	6	11.5	1550
20	6	6	2.5	7.5	59
20	7.5	3	6	10	3884
30	14.5	5	5,5	15	893



<< Back to all TYPES

TYPE 4

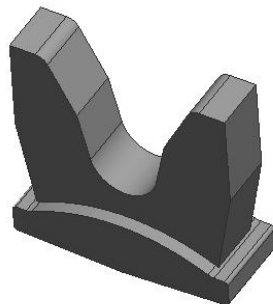
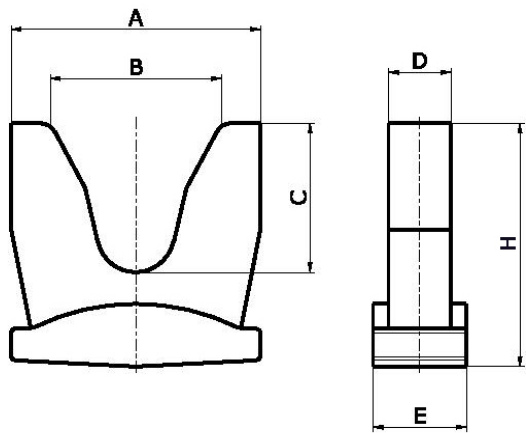


A	B	C	D	E	F	H	Note	SAPAT Code
22 x 34	10	4	16 x 28	11	7	16	Oval	3627
26	10	4	20	11	7	16		3626



<< Back to all TYPES

TYPE 5



A	B	C	D	E	H	SAPAT Code
32	22	20	8.5	12	30	3981

Square O-rings and washers



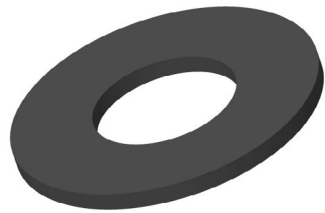
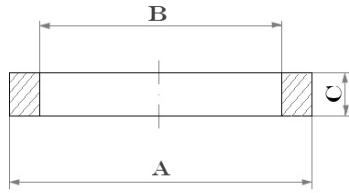
Click on the **intended** type to access the cards.

Washers

Square O-rings

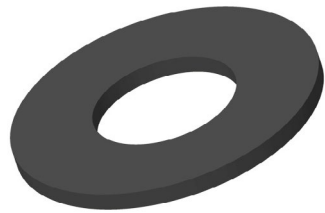
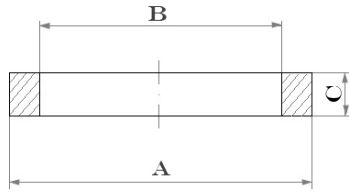
Rectangular O-rings

Refer to the table ordered by increasing values of the outer diameter (Measure "A").



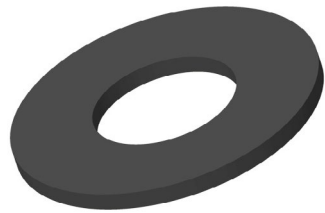
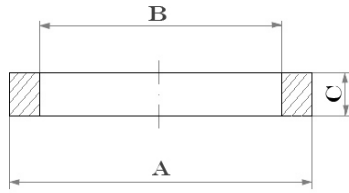
A	B	C	SAPAT Code
6.3	3.5	3	4325
6.5	4.5	35	1574
8	4	2.5	2231
9	4.5	0.5	2228
9.5	3.5	7	4721
10	4.7	4	2241
10.5	4	23	1432
11	6.5	4	7046
12	5	3	3625
12	5	10	1274
13	5	13	4472
13	7	2.5	2229
13	0.65	4	2224
14	10	0.7	2230
14	6	3.5	1700
14.5	9.5	6	4162
15	6	13	4338/2
15.5	12.5	2	2737
15.85	9.52	3.57	4422
16	8	13	3760
16	8	6.5	3506
16.7	8.5	4.2	3890
17	2	5	2869
17.5	15	10	3468
18	8	13.5	4771
18	8	15	4766/2

A	B	C	SAPAT Code
18	12	15	4766/1
18	15	2	2225
18	8.5	4	1342
19	6	1	4489
19	11	5.5	3402
19	15	10	1456
19.05	13.89	3.17	4786
19.8	11.9	1	4702
20	12	12	4713
20	12	3.005	4292
20	10	6	3066
20	12	7	2277
20	8	20	2263
20	6	5	1383
20.5	15.5	11	1798
21	15	2	7045
21.5	10	10	7142
22	19.3	14	4584
22	17	8	4338/1
22	8	6	2262
22.8	4.6	14.4	2253
23	8	6	4689
23	19	1.5	4085
23	10.5	4.7	1341
23.5	12	8.3	4792



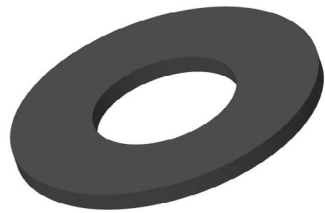
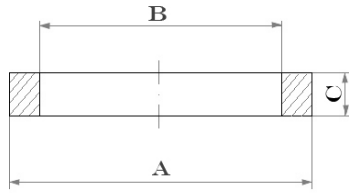
A	B	C	SAPAT Code
23.5	17.5	6	1793
24	5.5	15.5	4871
24	18	5	2455
24.5	17	10	4338
25	5	5	7108
25	7	2.2	4722
25	8	6.3	7030
25	14.5	8	4720
25	10	16	3720
25	11	2	1774
25	14	15	1370
25	4	4.2	1219
26	-	5	4811
26	16	3	3577
28	12	15	4766
28	18	15	4765/2
28	22	15	4765/1
28	25	15	4765
28.5	21	21	7075
28.5	13.7	18	3527
28.5	8.5	2	2136
29	13	1.5	1702
29	24	7	1499
30	19	17.6	4779

A	B	C	SAPAT Code
30	18	7	4667
30	11	11	4387
30	24	4	4362
30	18	12	4010
30	22	7	3065
30	7	20	2740
30	15.5	8	2584
31	20	13	4339/1
31.5	21	21	7076
31.5	15	32.5	1440
32.15	30.5	3	1561
34	22	3.5	5615
35	21	21	7077
35	20	18	4339
35	20	15	3378
35	15	7	3036
35	24	16	2271
35.5	10	3.4	3379
35.71	27.76	3.17	4832
35.8	30	2	1394
36	16.5	6	3805
36	23	4	3545
36	12.5	28	1116
36.5	20	5.5	3435
37	30	22	1601
38	30.5	3.5	2787



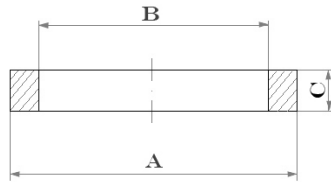
A	B	C	SAPAT Code
38	30.5	1.7	2786
38	13.8	8	2584/1
38	24	4	1305
39	23	30	3629
39	23	60	2972
39	32	8	1145
40	30	15	4793
40	20	47	3418
40	30	2	1678
41	34	3	7119
41	20	9	3037
42	32	23	4058
42	32	4	2391
42	39	11	5117
43	23	2	2266/1
43	30	2.5	1465
45	22	20	7087
45	40	2.5	3087
45	37	2.5	2383
45	39	8	1459
47	30	2.5	1466
47	40	2.5	7564
47.5	34.9	2.4	4881
48	35	7	1811
48	38	170	1367
48.5	11.25	3.75	4420
49.5	43	7	4181

A	B	C	SAPAT Code
50	22	23	7041
50	27	9	3038
50	20	50	1803
50	38	2.5	1553
51	44	7	4674
52	28	15	4847
51	47	1.2	2227
53.4	47	2	1693
55	49	8	1458
57	-	2.8	1507
57	45	16	1174
57.5	38	14.2	4567
58	33	3	3749
58	50	4	2268/1
60	54	1.5	3089
60	32	12	2237
63.5	38	2.5	4566
63.7	49	11	4458
64	56	4	4728
65	39	2.5	4697
65	56	6	2532
68	60	4	2268
70	54	5	4698
70	60	19	7393
71.5	63.5	4	4920
72	54	2.5	1467

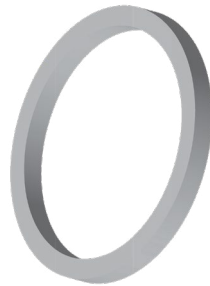
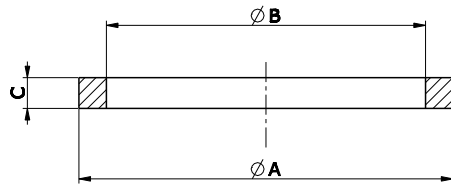


A	B	C	SAPAT Code
77	66	3.5	1624
78.2	71.6	4.7	4729
80	65	4	4905
80	5	5	3484
80	58	2.5	2492/1
80	50	70	1989
83	75	3	3338
85	77	5	4802
85	-	5	3609
87	83	20	7363
90	80	19	7449
94	90	45	7391
95	45	20	4533
98	18	-	2093
102	90	3.2	3914/1
103	63	100	3702
108	72	20	4778
110	104	2.5	1963
115	98	30	7429
120	100	30	7170
120	114	3	2288
120	33	20	1812
120	30	30	1360/1
124	91	2	1732
125.37	114.19	3.2	3914
126	5.6	3.97	1939
128	76	3	4399
128	76	5	4398
146	90	60	4423

A	B	C	SAPAT Code
147	137	1	3153
150	30	30	1360
159	147	3	4651
178	125.5	6	4517
178	125.5	8	4411
180	110	8	4897
180	110	6	4896
180	100	10	4412
186	130	10	1220
209	189	10	7173
219	195	5	2492
220	200	10	4023
222.64	190.5	12.7	4724
230	212	3	2270
240	230	14	1582
290	270	10	2507
300	180	20	2579
355	325	7	2395
490	464	13	3480



A	B	C	SAPAT Code
35.5	29.8	3.2	5545
37.9	31.7	3.2	5618
40.2	34.3	3.3	5445
42	36.1	3.3	5569
44.65	38.75	3.3	5446
49.5	42.8	3.3	5552
50.9	42.5	3.2	5552/1
51	46	3.3	5443
54.5	48.45	3.3	5444
59.7	53.7	3.2	5508
64.5	59.5	2.6	5522



A	B	C	SAPAT Code

Grommets



Click on the intended **type** to access the cards.

Holed Grommets

Cable Grommet

Oval Grommets

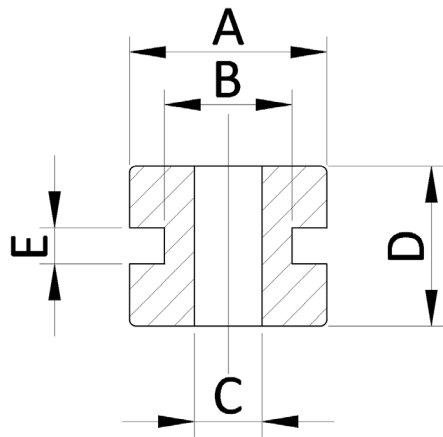
Other Grommets

<< Back to all TYPES

The following tables are ordered by increasing value of the outer diameter.

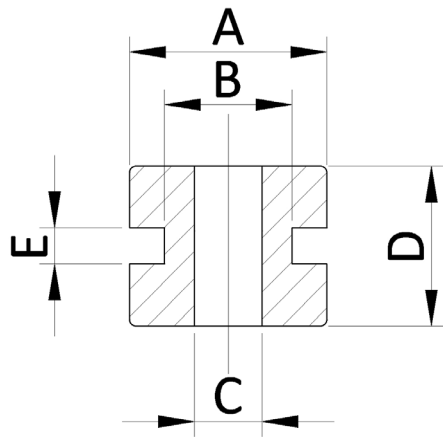
1/7

HOLED Grommets



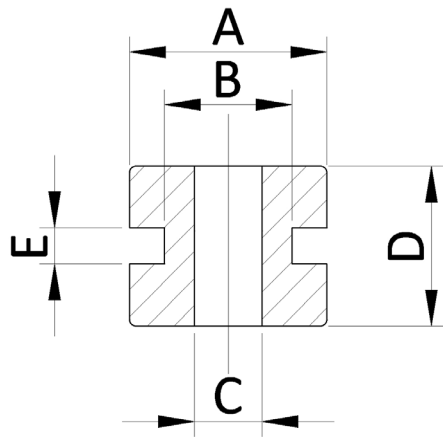
A	B	C	D	E	Note	SAPAT Code
7	4.5	1.8	6	1.2		7221
8	5	3	5	1		4717
9	6	4.5	6	3	Squared	4735
9	6	4	5	1		7311
10	7	5.5	4	1		3667
10	7	4	12	8		2308
10	7	4	5.5	1.5		3774
10	7	5	6.5	2.5		4994
10	7	5	6	2		2234
10	7	4	6	3		3798
10.5	7	4	6	1		7296
11.5	9	3 (2 holes)	5.5	2		4140/1
12	8	5	5	1.5		3799
12	8	5	6	3		7370
12	8	5	8	3		4028
12	9	7	6	2		4715
13	9.5	5.3	7	2		7261
13	9.5	7	5.5	1.5		7264
13	9	6	6	1.5		7355
12.5	9	5.6	7.5	2.6		1639
13	11	9	5.5	4		4140
13.5	9.8	5.6	9	3		7251
13.5	9	4	7.1	1.5		4000
14	10	6	8	2		866
14	10	7	5.5	1.5		782
15	10	5	9.5	4.5		4357

HOLED Grommets



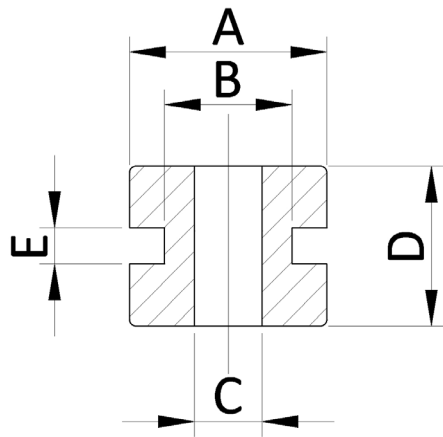
A	B	C	D	E	SAPAT Code
15	10	7	7	3	7154
16	10	5.8	10	2	3719
16	10	6	7	1	7263
16	10	6	8	1.5	7418
16	10	7	6.5	1	2615
16	11	6	8	2	3933
16	12	3 (2 fori)	5	1	7008
16	13	10	5	1	3554
17	9	5	10	2	4969
18	11	6.8	12	6	3220
18	12	6	8.5	2	7377
18	12	8.5	6	1.5	7371
18	12	8	10	3	3256
18	12	8	8	3	3857
18	12	9	10	2	785
18	12	9	12	5	4767
18	12	9	5.5	1.5	7244
18	12	10	11	5	3502
18	13	9	12	3.5	7236
18	14	5	5	1.5	1968
18	14	5	8	4	1967
18	14	6	12	8	2530
18	14	8	7.5	1.5	7245
18	14	10	5	1.5	2320
18	14	10	7	1.5	2881

HOLED Grommets



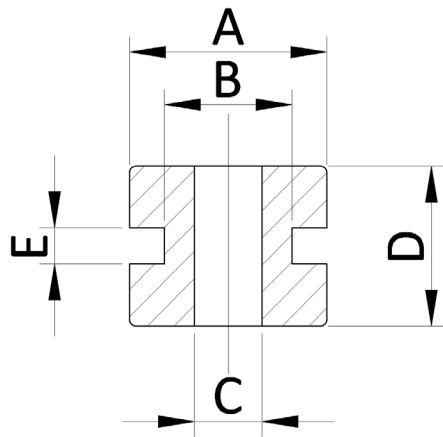
A	B	C	D	E	SAPAT Code
18	14	10	7	2	7266
18	14	10	10	2	4122
18	14	8	7	3	3297
18	14	8	7.5	2.5	7262
18	15.5	8	16	9.5	2576
18.5	16	7	13	2	4155
19	14	9	11	4.5	3773
19	14	9	11	6	7292
20	12	3	26	-	2474
20	14	9	11.5	1.5	7410
20	15	10	5	1	3605
20	15	12	7.5	1.5	4232
20	16	9	16	10	2509
20	16	10	11	5	7437
20	16	12	7	2.5	4761
20	16	12	2.5	0.5	2048
20	16	12	5.5	1.5	2434
20	16	12	6.5	2.5	2049
20	16	12	6.5	2.5	4407
20.7	16.7	11.2	11	2.2	7516
21	14	12	8	2	3564
21	15	9	14	8	2133
21	16.6	11.7	14.6	3.1	7596
22	15	8	8	3	4551
22	15	12	8	3	4550

HOLED Grommets



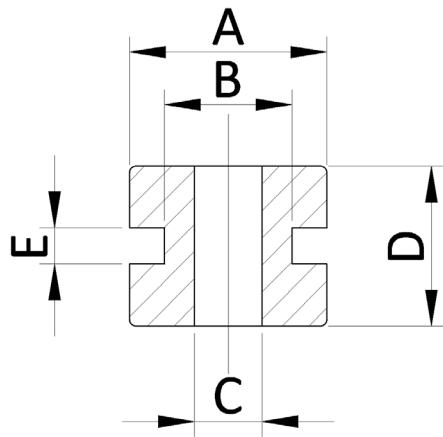
A	B	C	D	E	SAPAT Code
22	15.5	9	14	5	4861
22	16	8	18.5	10.5	3647
22	16	10	6	2	2441
22	16	10	8	1.5	3776
22	16	10	8	2	1418
22	16	10	9	4	4979
22	16	10	10	3	1638
22	16	10	10	4	2511
22	16	12	14	8	3995
22	16	12	17	11	2087
22	17	13	8	1.5	2911
22.5	15	10.5	7.5	1.5	4942
23	16.2	12	9	2	7443
23	18	12	12	6	7163
24	18	12	10	3	7285
24	18	12	10	2.5	4431
24	18	12	8	1.5	3840
24	19	9	12	3.5	7444
24	19	14	10	2.2	7238
24	20	16	5.5	1.5	2437
24	20	18	10	3.5	4826
25	16.2	9.2	14.7	3.6	7465
25	18	12	11	2	7423
25	19	13	13	7	2795
25	20	15	8	2	1516

HOLED Grommets



A	B	C	D	E	SAPAT Code
25	20.5	10	12	1.6	7576
26	18	8	15	4	3086
26	20	17	10	2	7239
26	18	10	26	20	7525
27	19	9	13.5	5	7532
27	20	14	10	3	3858
27	20	14	8	1.5	7283
28	20	9.5	7.5	1.5	7356
28	22	14	6.5	2.5	1987
28	22	18	14 ⁽⁸⁺²⁺⁴⁾	2	783
28	23	18	19	1.5	2569
28	23	19	12	4	4968
28	25	20	5.5	1.5	2438
28.8	24.8	14	16	3	5409
29	22	16	10	3	7171
29	22	16	8	1.5	3548
30	24	16	10	3	7016
30	25	20	10	4	1966
30	25	20	8.5	2.5	2212
32	27	22	9	1.5	2699
32	28	24	8	1	3325
33	25	18	10	1.5	3801
33	25	18	12	3	3777
34	25	9.5	16	-	4825
35	27	19	15	8	826
35	30	25	8.5	2.5	4946

HOLED Grommets



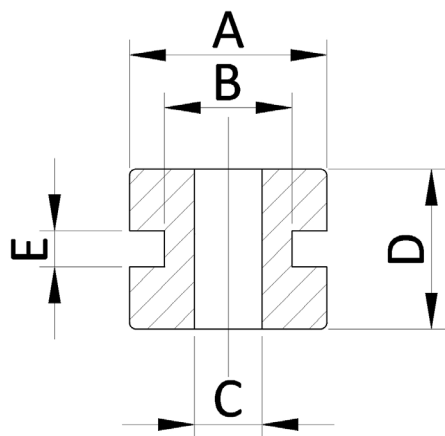
A	B	C	D	E	SAPAT Code
35	25	16	35	15	7579
36	28	20	10	1.5	3612
36	28	20	12	3	3613
37	33	21.5	10	8	4571
38	30	22	10	1.5	3614
38	30	22	12	3	3615
40	26	20	11	3	3565
40	33	30	8	1	4170
41	32.5	24.5	12	1.5	3616
42	33	25	13	3	3617
44	35	25	15	5	4136
45	34	31	12	6	4117
45.5	35.6	29.6	10	1.5	7172
46	38	30	12	1.5	3636
46	38	30	13	3	3637
49	42	32.7	8.5	4	7508
50	38	26	40	-	2135
50	42	33	10	2	7218
52	41	32	13	2.5	4866
55	46	43	9	6	4120
55.4	43.33	33.25	19	11	4521
56	47	37	11	2	4943
60	53	43	6.5	1.5	4135
67	60	48	10	2.5	7628



<< Back to all TYPES

7/7

HOLED Grommets



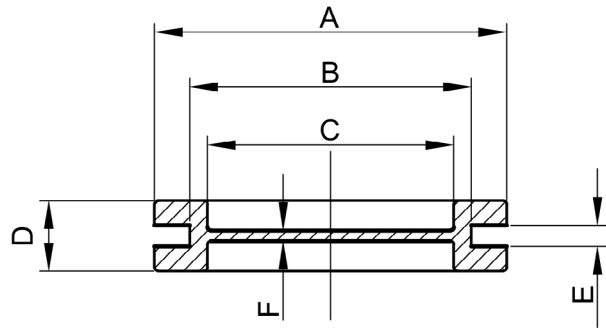
A	B	C	D	E	SAPAT Code
73.4	55.6	45.25	19	9	4522
80	60	48	19	11	7411
86	77	72	7	1	4190
87.5	84	80.5	6.3	2.5	7592
90	82	74	10.7	3	7577
104	92	86	14	10	4581
109	100	95	7	1	4191



<< Back to all TYPES

The following table is ordered by increasing value of the outer diameter.

CABLE Grommets

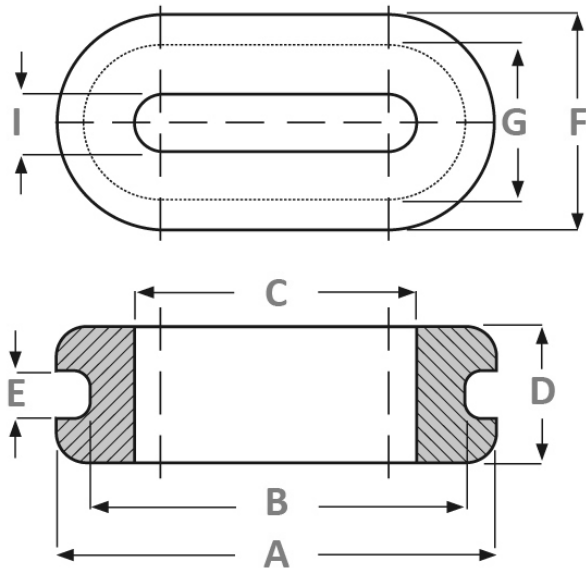


A	B	C	D	E	F	SAPAT Code
15	10	7.5 - Hole 4	6.8	2	1	7519
20	14	10	8	2	1	4125
22	16	10 - 3	11	5	1	7507
23	17	13	8	2	1	4739
25	19	15	13	5	1	4996
27	20	14 - 5	8	2.5	1	4876
28	21	17	8	2	1	4127
28	22	10	7	1	1	3328
30	23	18	10	2	1	4128
32	26	20	14	6	1	4995
34	24	18 - 5	13	4	1	7677
33	25	16	9	1.5	1	7413
33	26	21	10	2	1	4129
33	27	12	7	1	1	3329
39	34	27	12	4	1	4295
40	33	27	11	2	1	7003
40	33	27	11	4	1	7003 H4
40	34	27	10	2	1	3664
46	35	28 - 5	11	1.5	1	7414
46	38	33	11	2	1	4131
46	38	33	11	4	1	4131 H4
48	40	30 - 21	8	2	1	7369
48	42	36	13	3	1	4604
49	39	39	8	4	1	2108
52	44	38 - 10	9	2	1	3592
55	44	38	9	3	1	4828
55	48	40 - 15	13	3	1	4577
58	48	42	12	2	1	4134
67	60	50	13	3	1	7103
67	60	50 - 20	13	3	1	7103 F 20
90	75	65	12	2	1	4163
110	100	90 - 30	20	10	1	7524

<< Back to all TYPES

The following table is ordered by increasing value of the outer diameter.

OVAL Grommets



A	B	C	D	E	F	G	H	SAPAT Code
18	15	4 (2 holes)	7	1	12	9	-	2016
22	19	5 (2 holes)	11	1.5	12	9	-	3486
39	29	14.5	24.6	6	34.8	25	10.5	7447
63	55	52	8.4	1.5	37	27	26	7426
63	55	51	11	4	38	30	27	7426 H4
78	70	67	8.3	1.5	48	40	36	7430
88	70	64	12	1.5	50	32	26	3255
218	198	188	22	12	118	98	88	7497

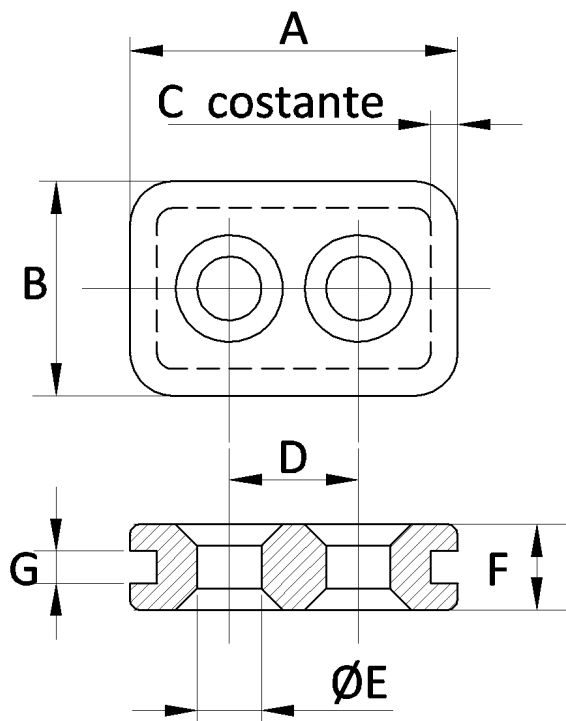


<< Back to all TYPES

Scroll through the table below to find the right rectangular grommet that fits your needs.

1/2

OTHER Grommets



A	B	C	D	E	F	G	SAPAT Code
13.5	10	1	6.3	3,4 (2 holes)	6	2	4877
23.5	12	3	4.7	1,9 (2 holes) 4,2 (2 holes) 3,5 (1 hole)	7.5	1.85	7459
18.5	15	4.2	5.5	2,5 (2 holes)	13	2	7068
80	43	5	18	12 (2 holes)	7	2	3863



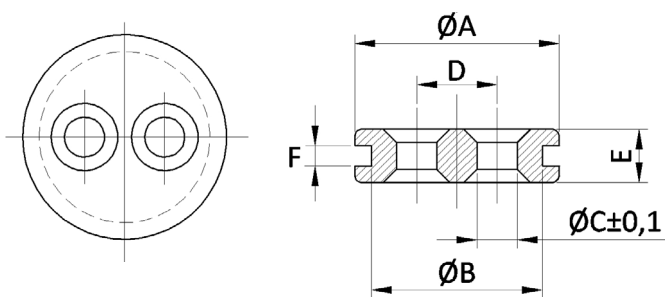
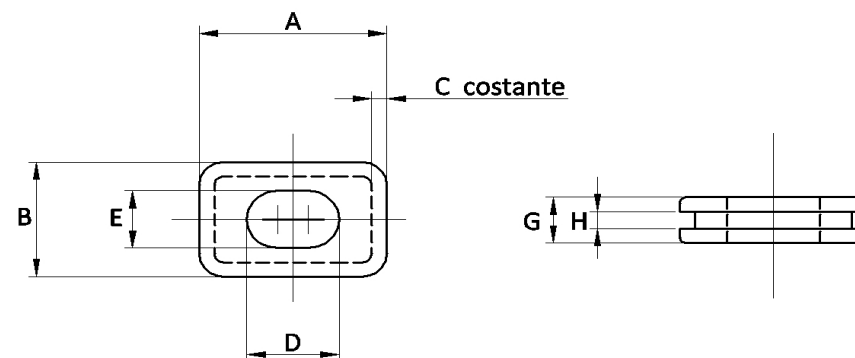
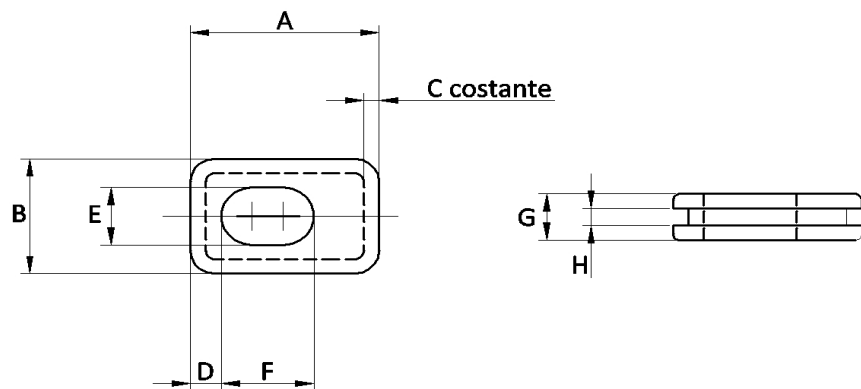
<< Back to all TYPES

Scroll through the table below to find the right rectangular grommet that fits your needs.

2/2

OTHER Grommets

A	B	C	D	E	F	G	H	SAPAT Code
30.5	20	2.5	5	10	15	8	3	4342



ØA	ØB	ØC	D	E	F	SAPAT Code
16	12	3	6	5	1	4875

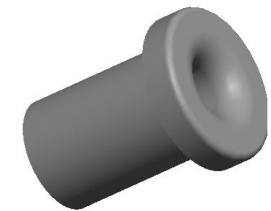
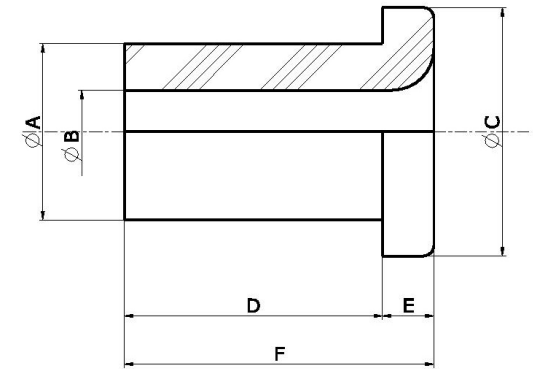


Cases



See the table below sorted by increasing values of the conventional indication B x F.

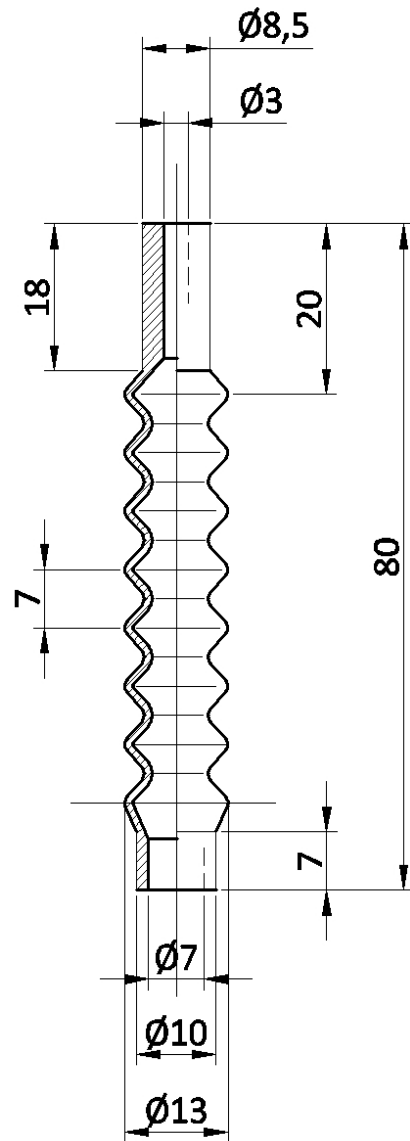
B x F	D	E	B	A	C	F	SAPAT Code
8 x 17	12	5	8	17	24	17	1509
8 x 30	25	5	8	17	24	30	2498
10 x 38	30	6	10	20	28	38	1679
12 x 24	18	6	12	22	30	24	391
16 x 28	20	7	16	25	35	28	696
20 x 32	25	7	20	30	40	32	804
25 x 38	30	8	25	35	45	38	928



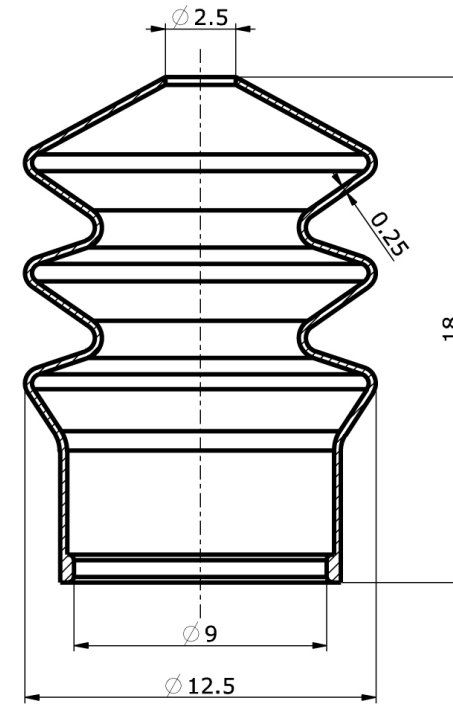
Bellows



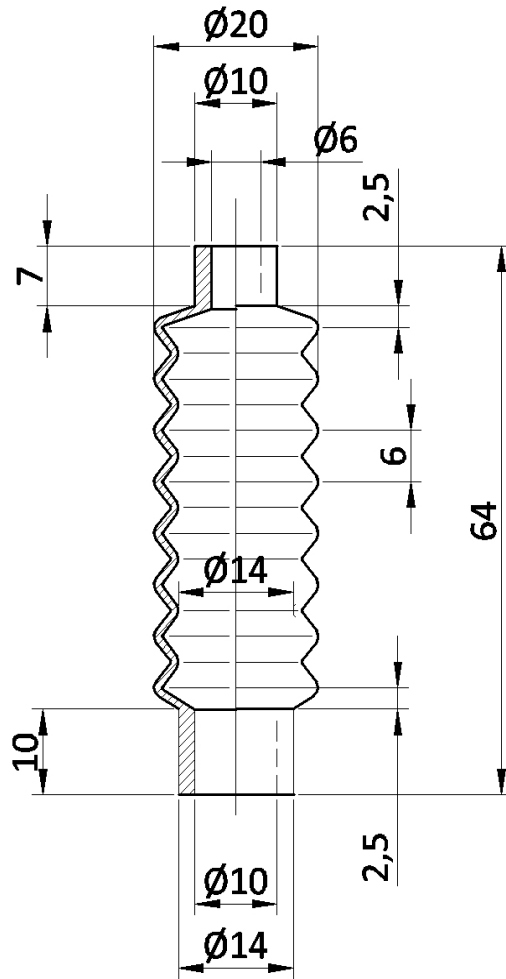
5593



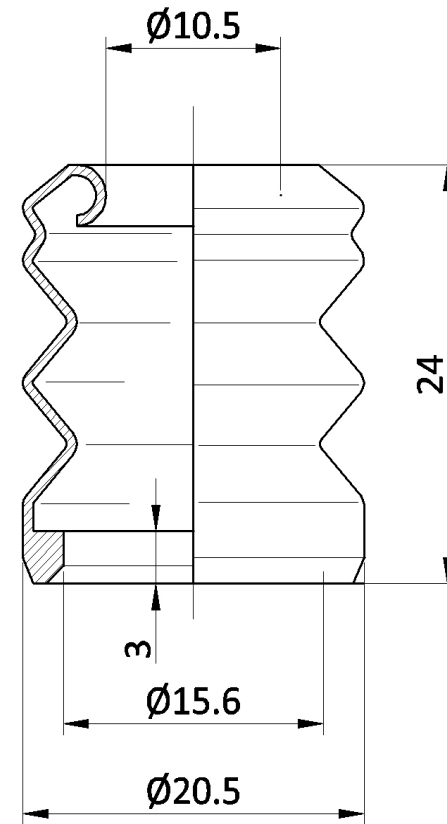
1899



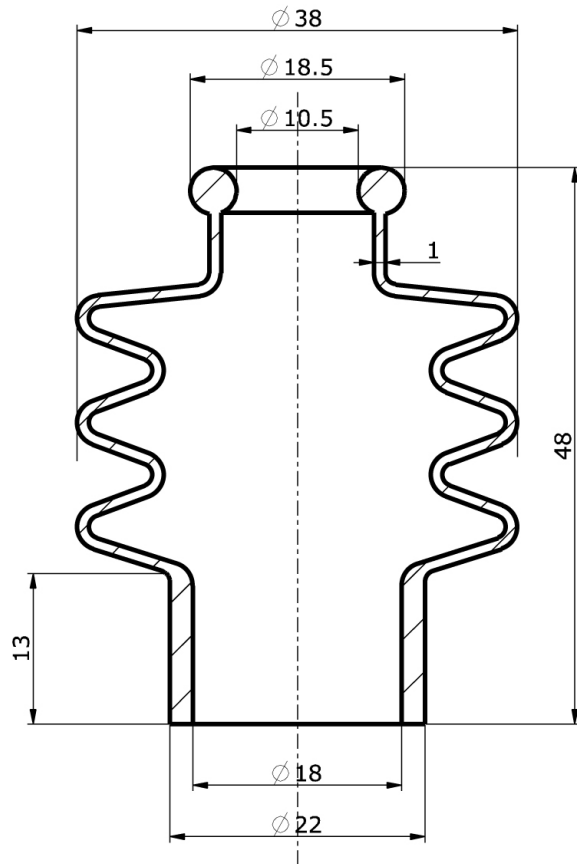
4166



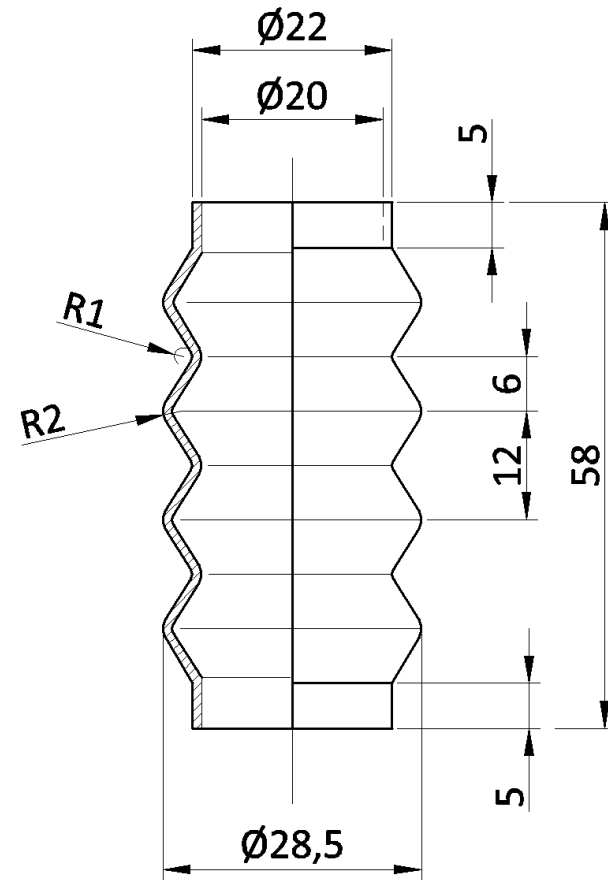
5527



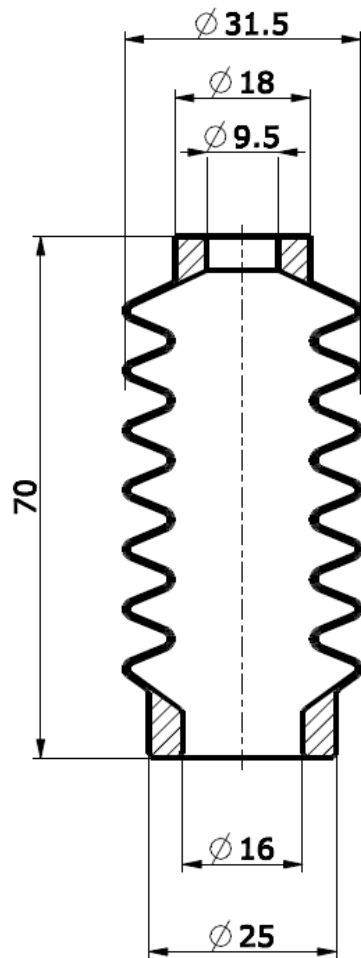
1827



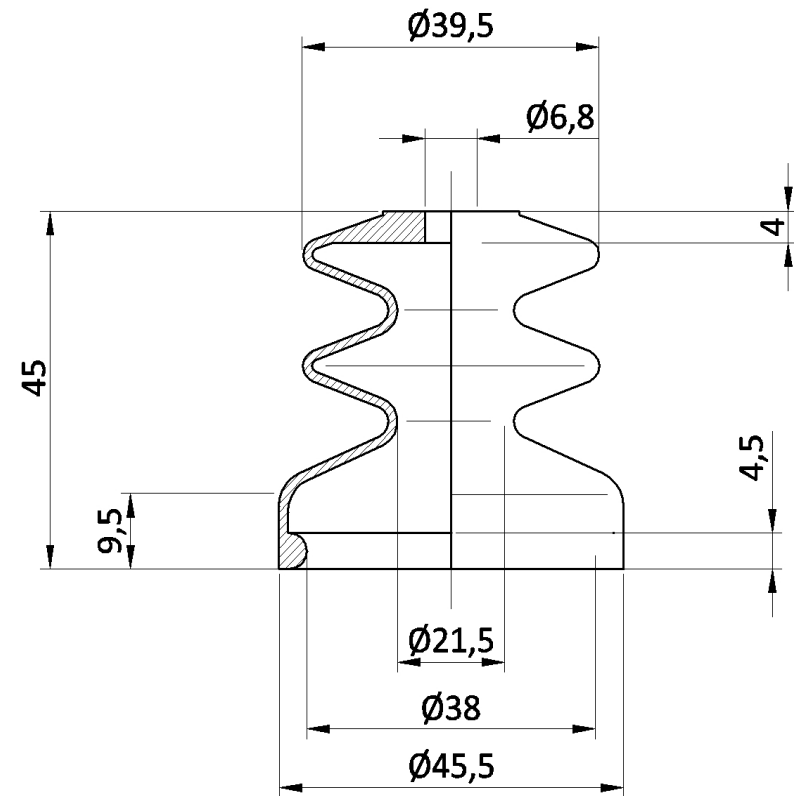
4480



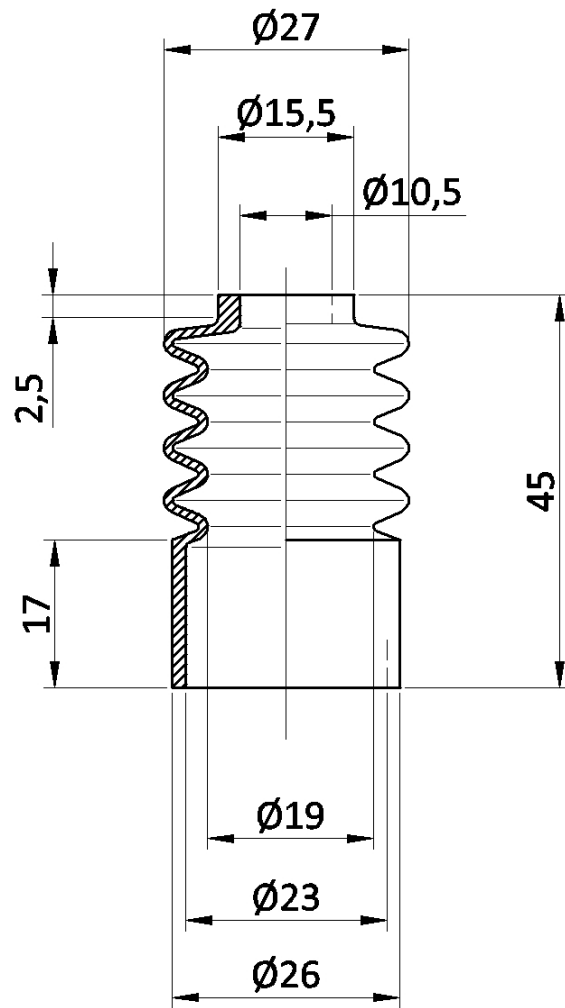
7023



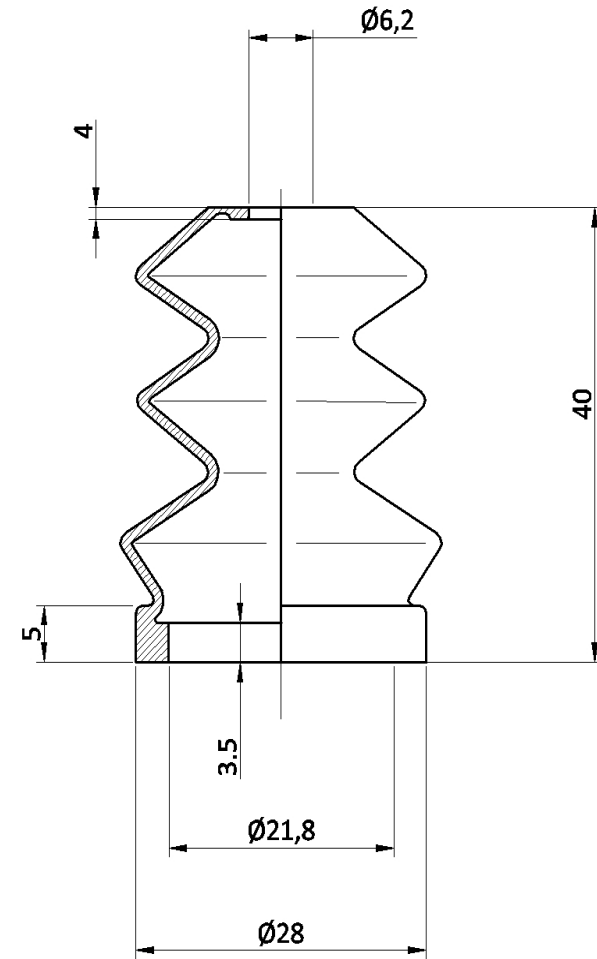
5435



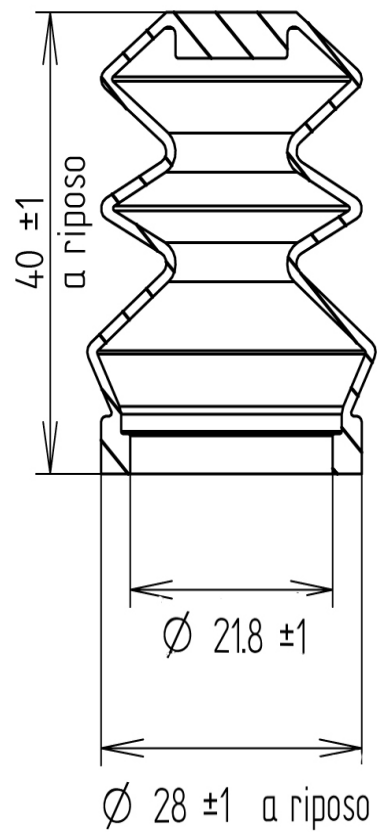
1769



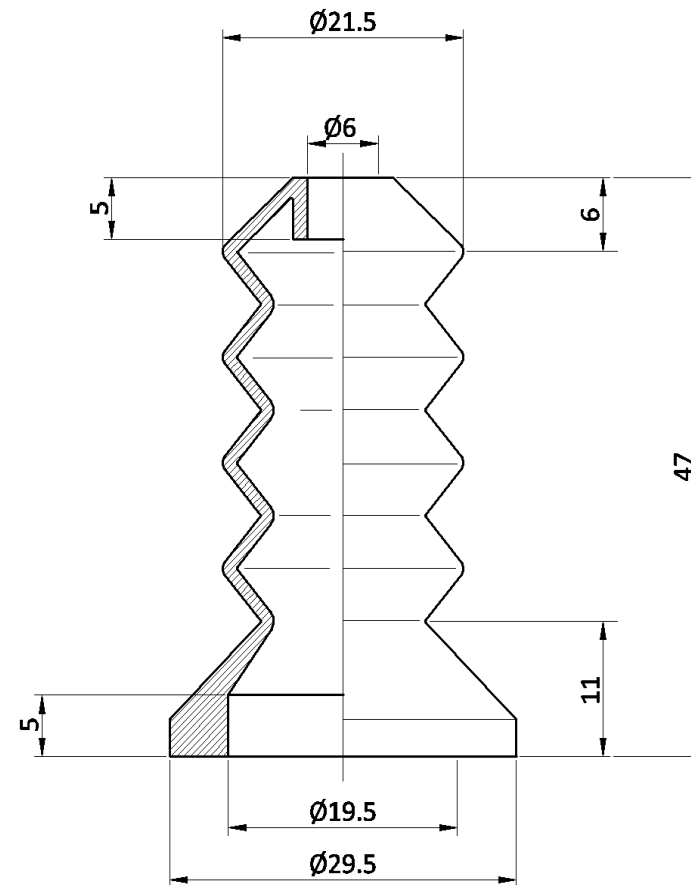
5440



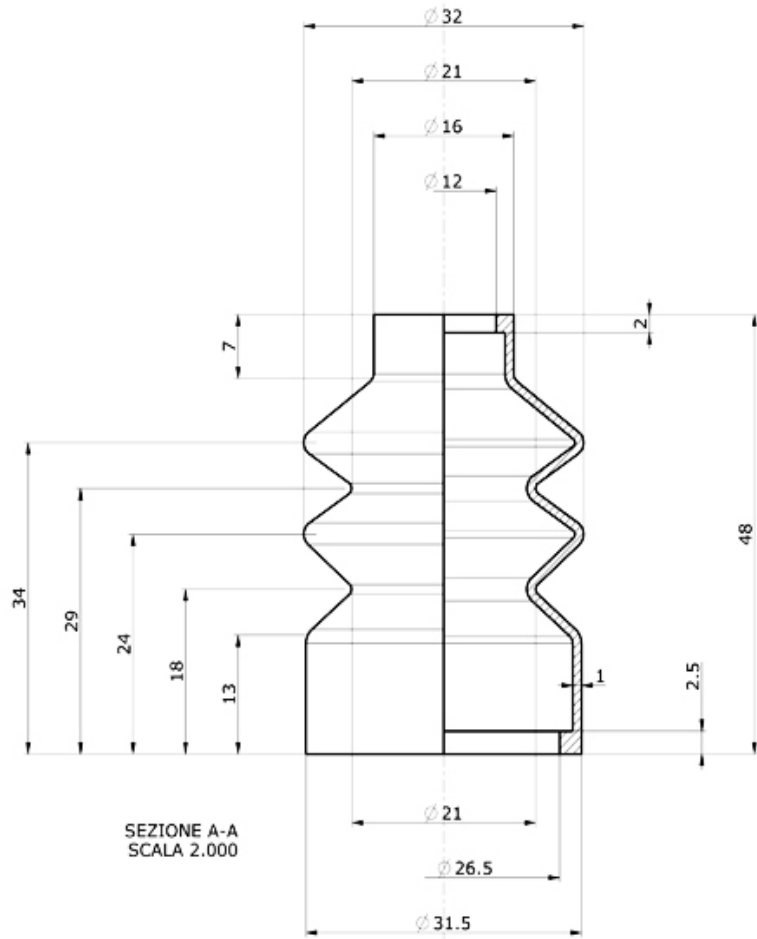
5630



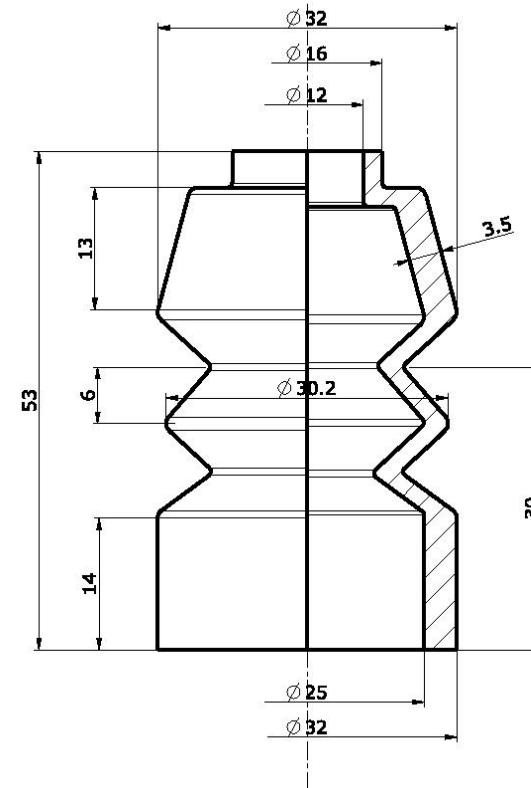
5524



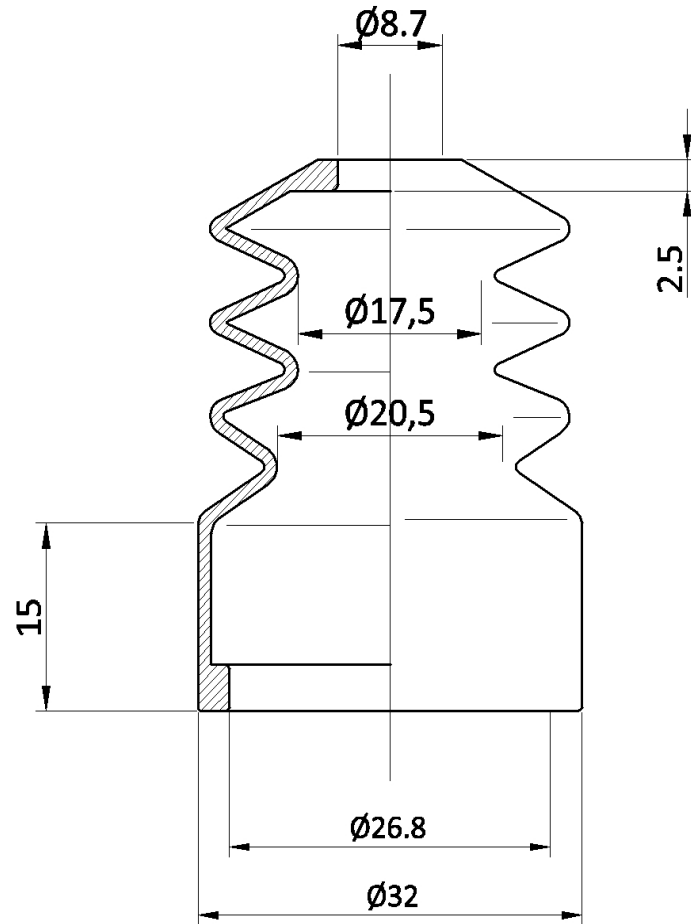
5434



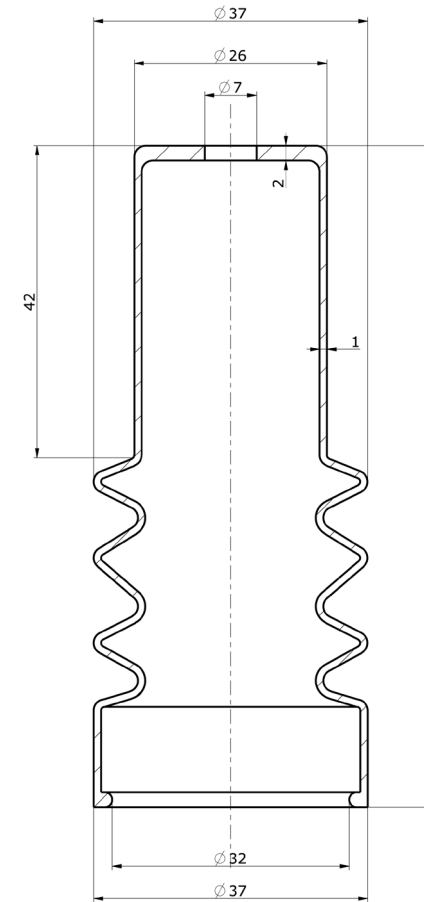
1710



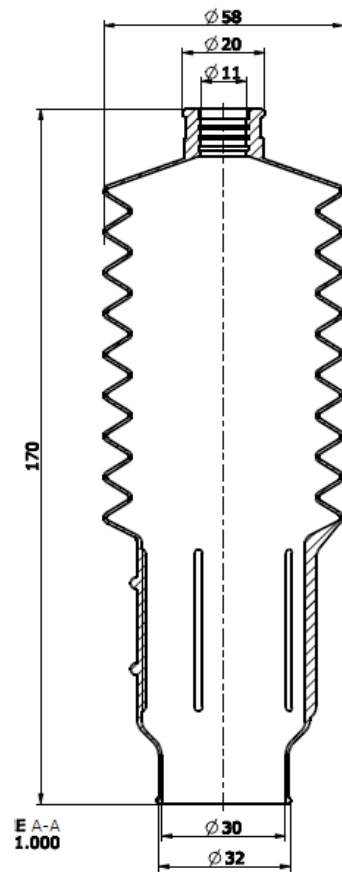
5565



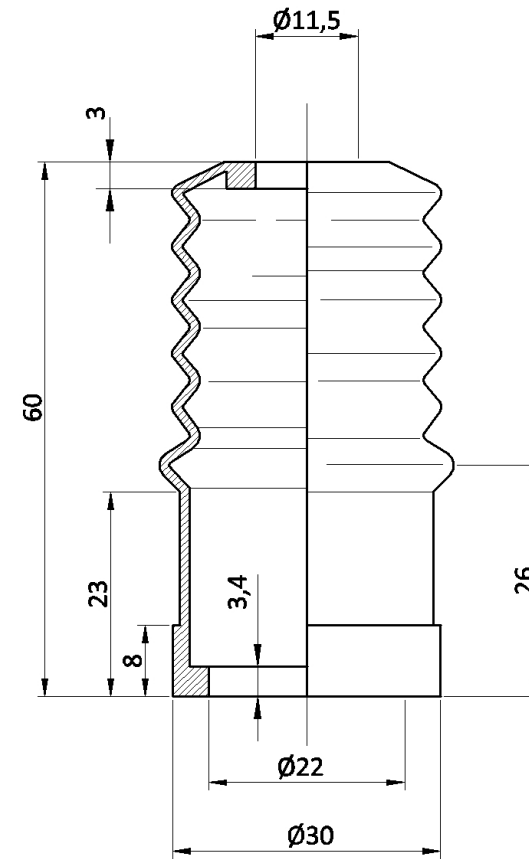
2689



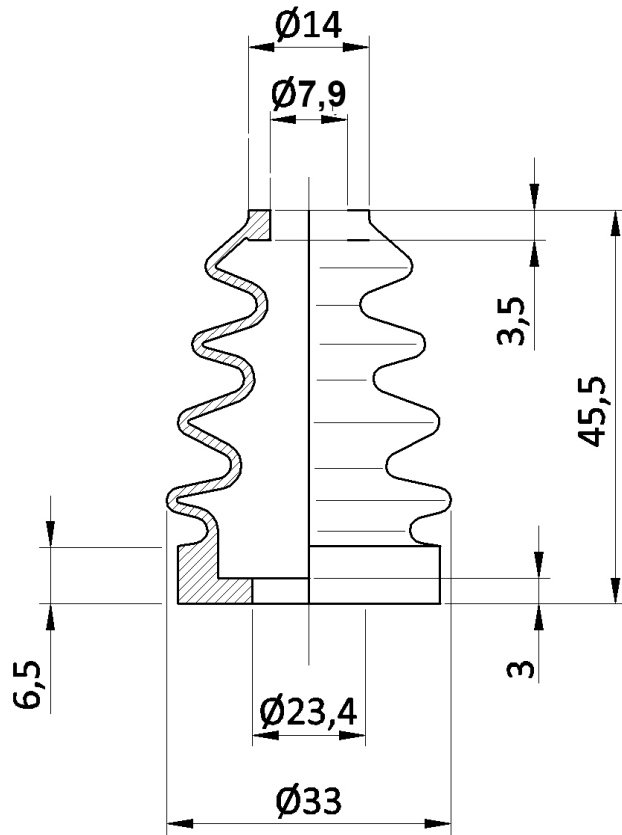
7022



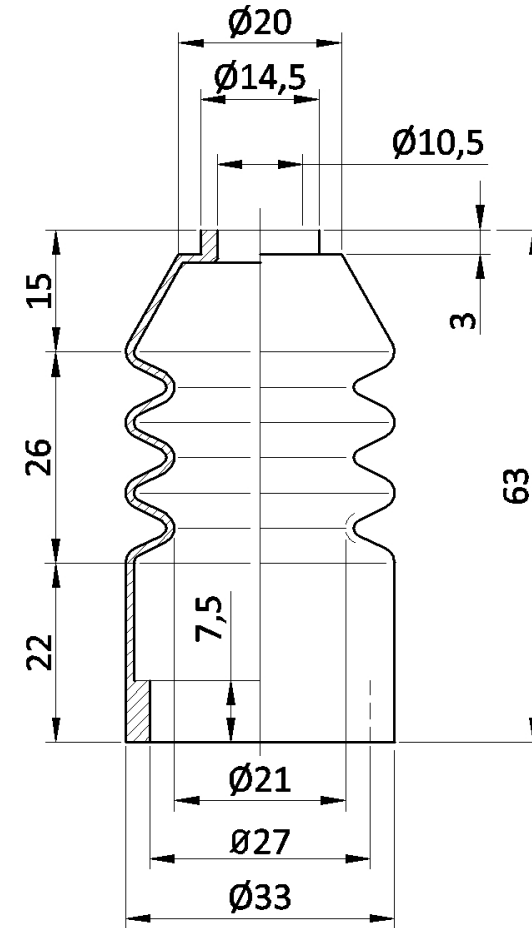
5352



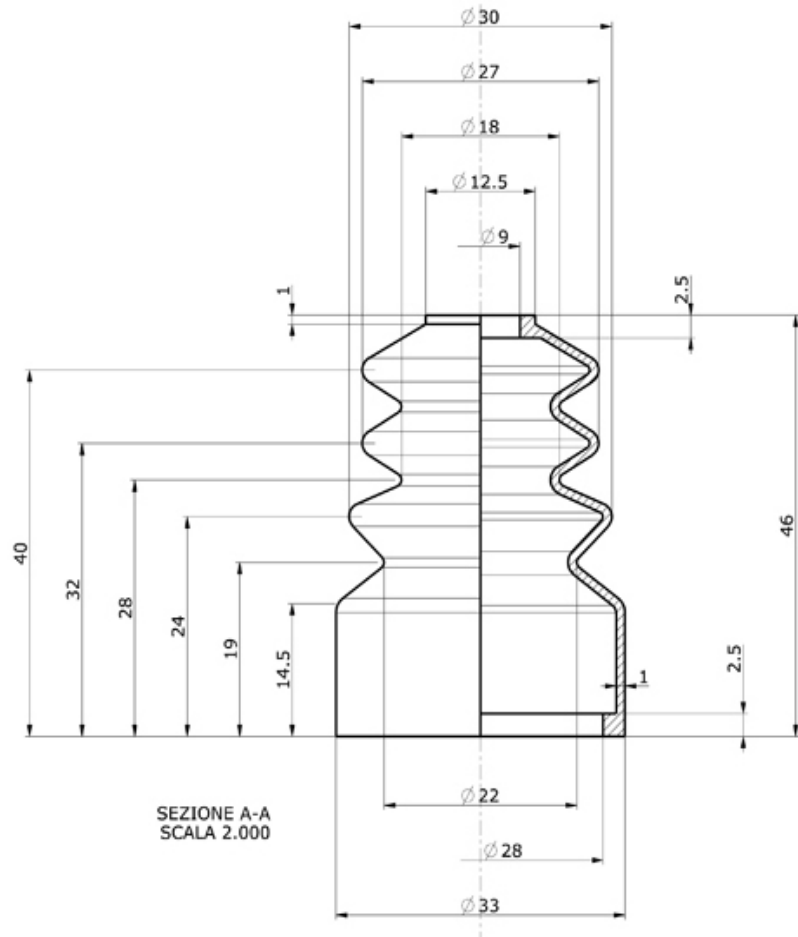
5351



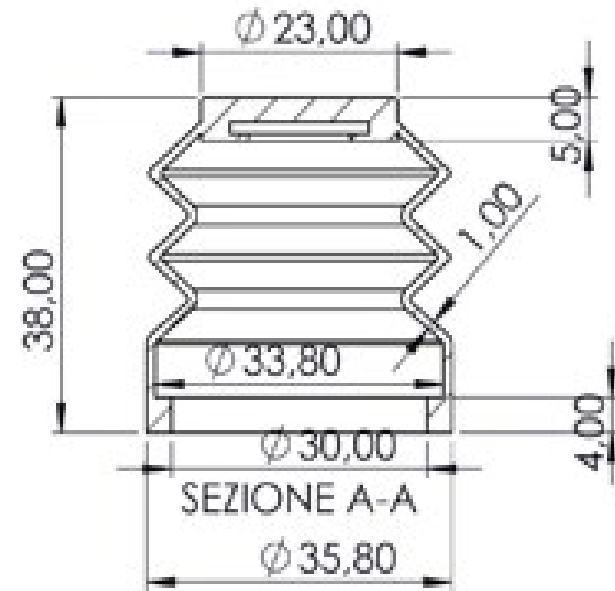
1676



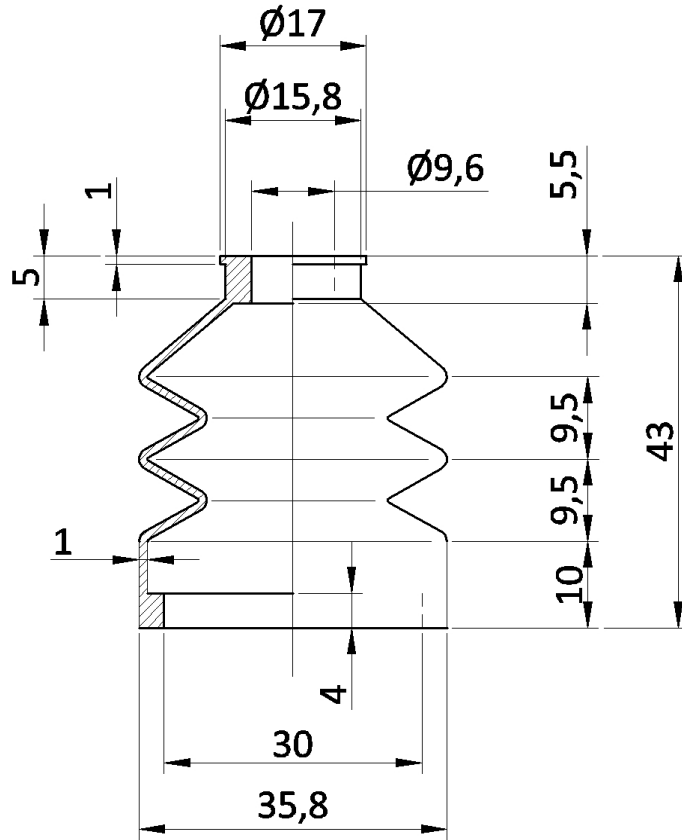
5381



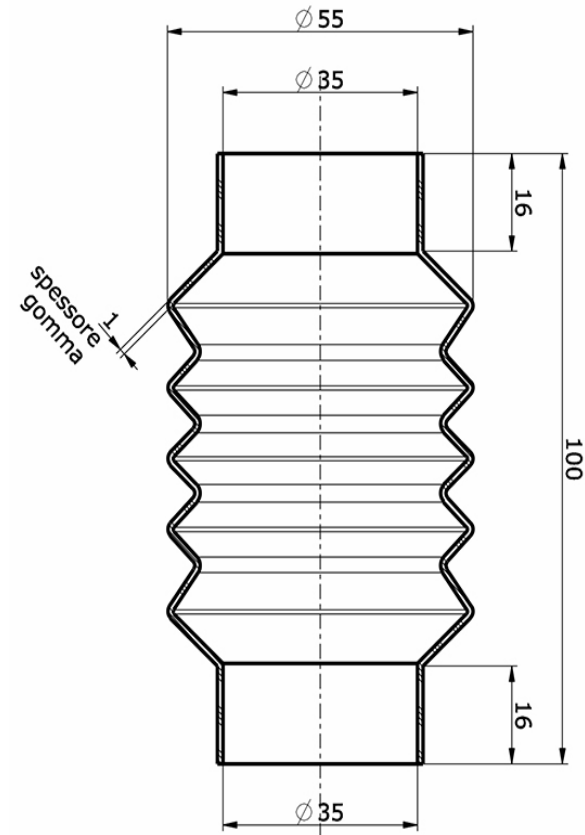
5632



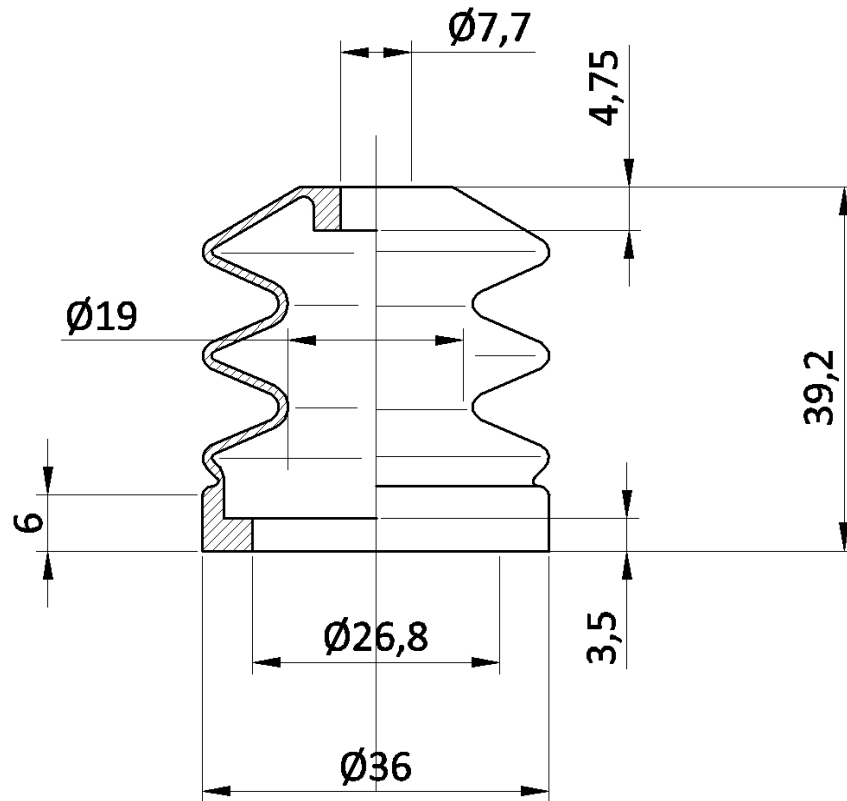
5382



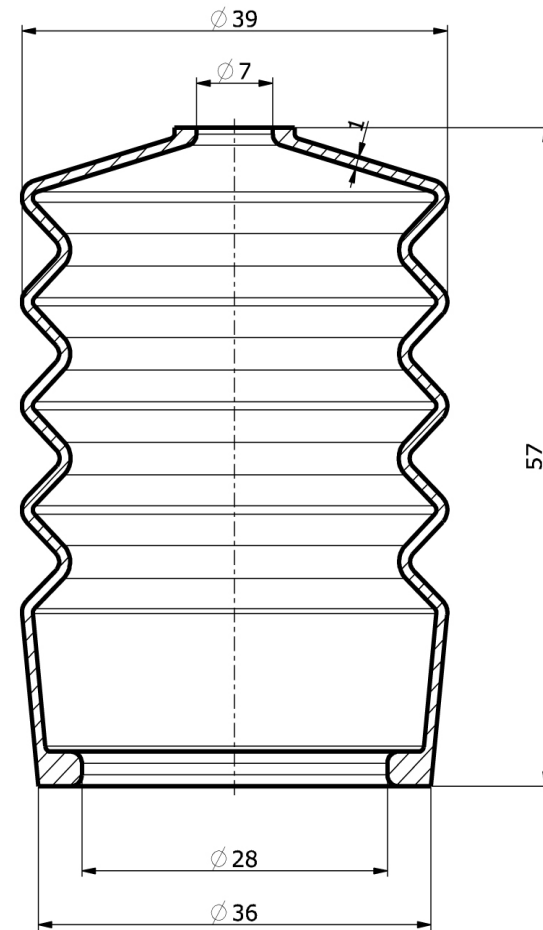
4418



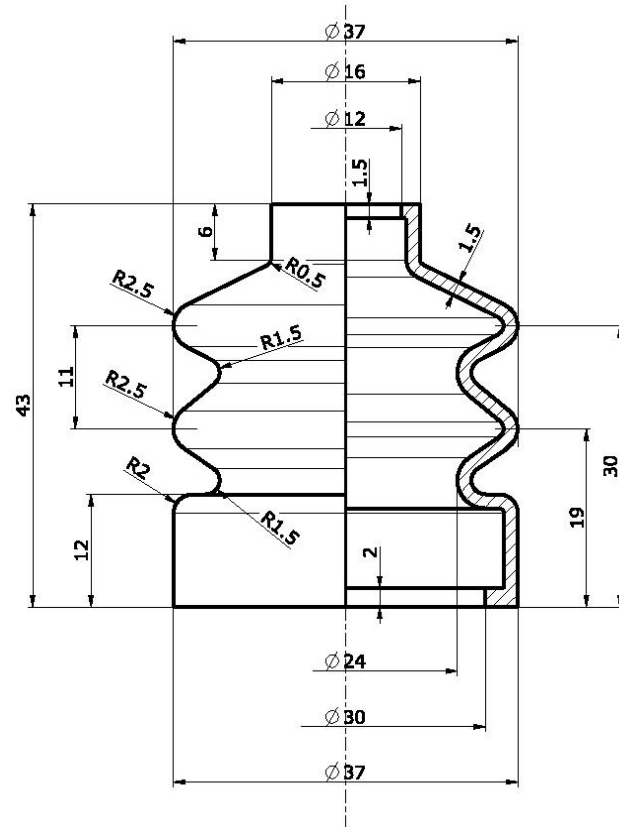
5439



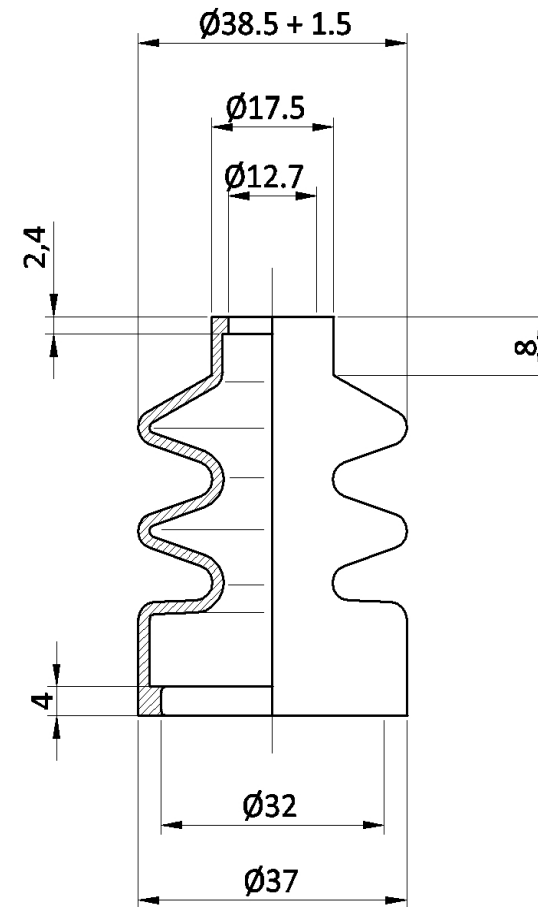
5421



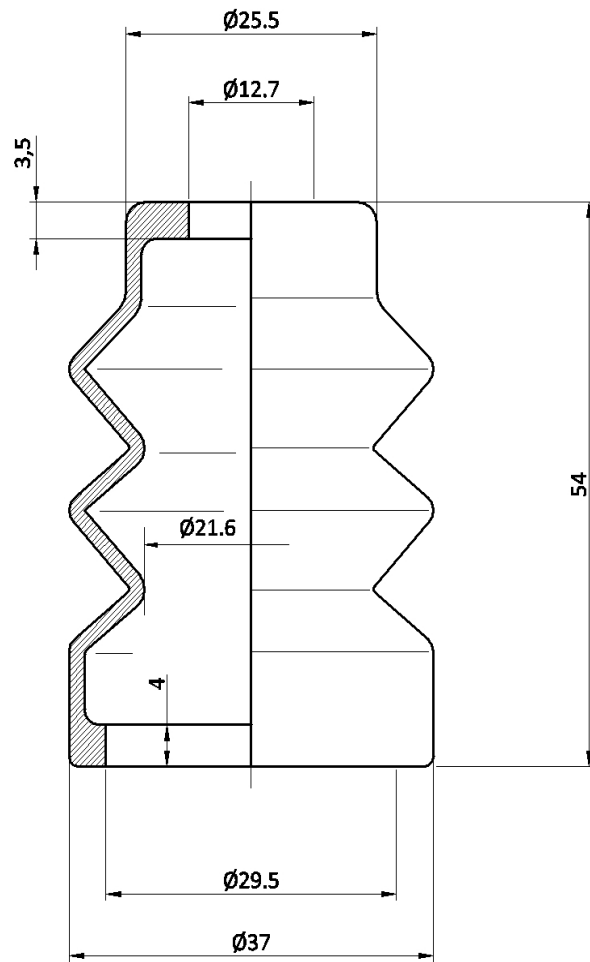
1718



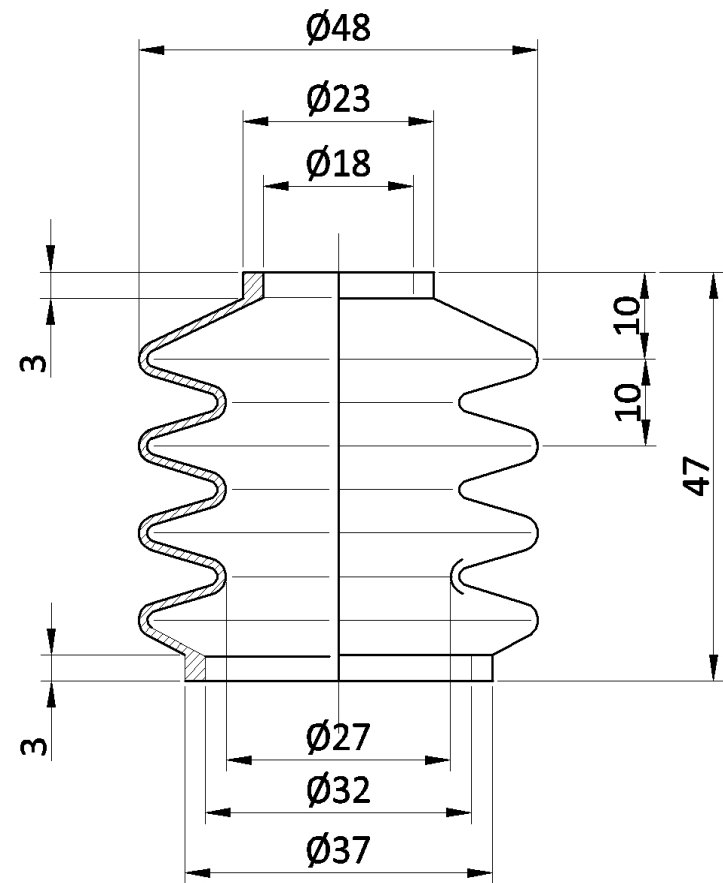
5392



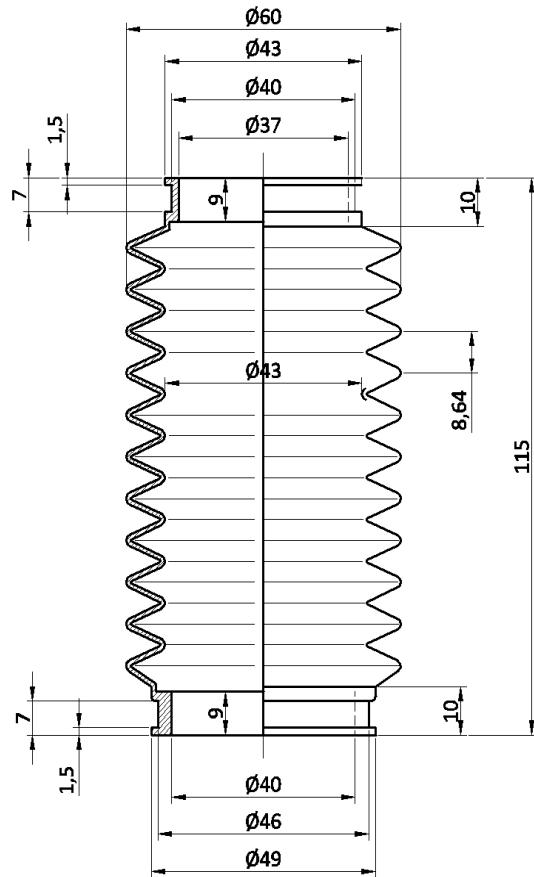
5392/148



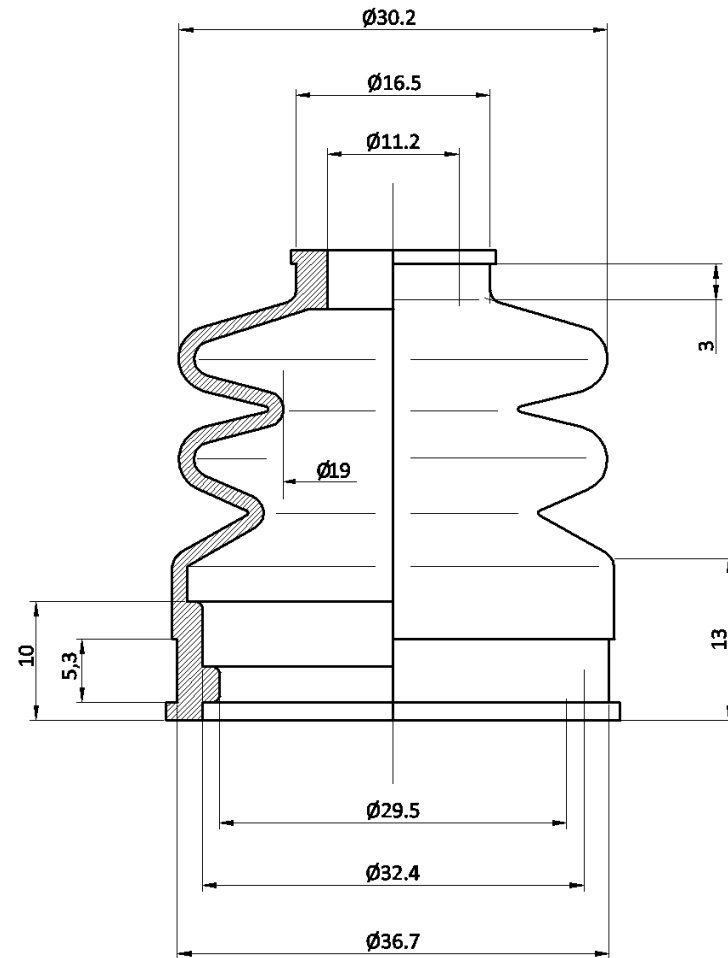
4967



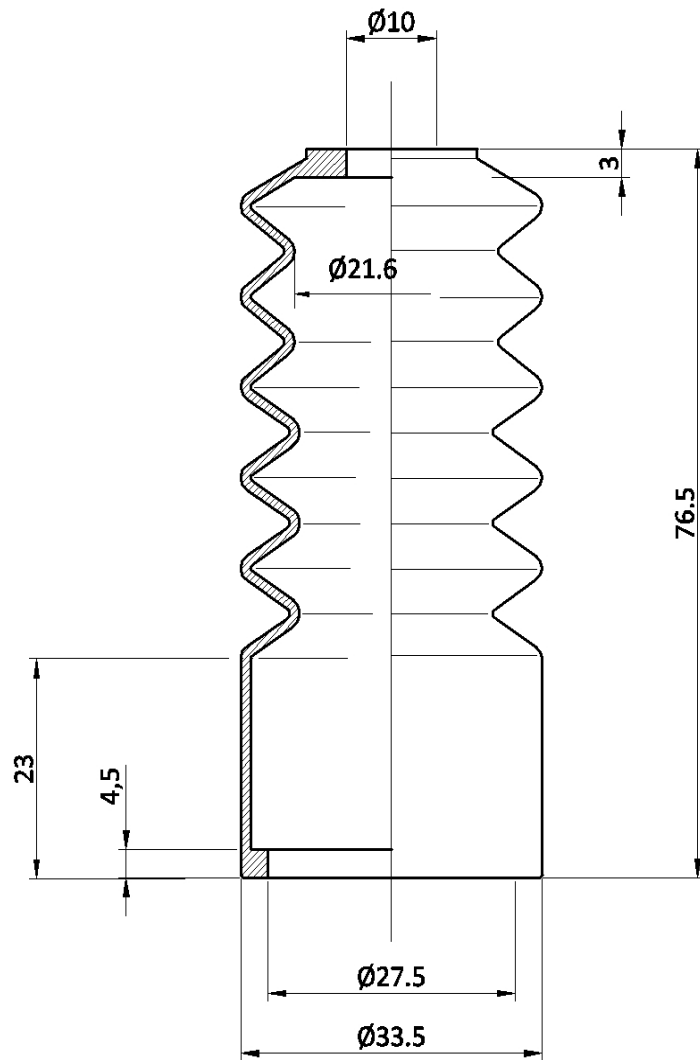
541



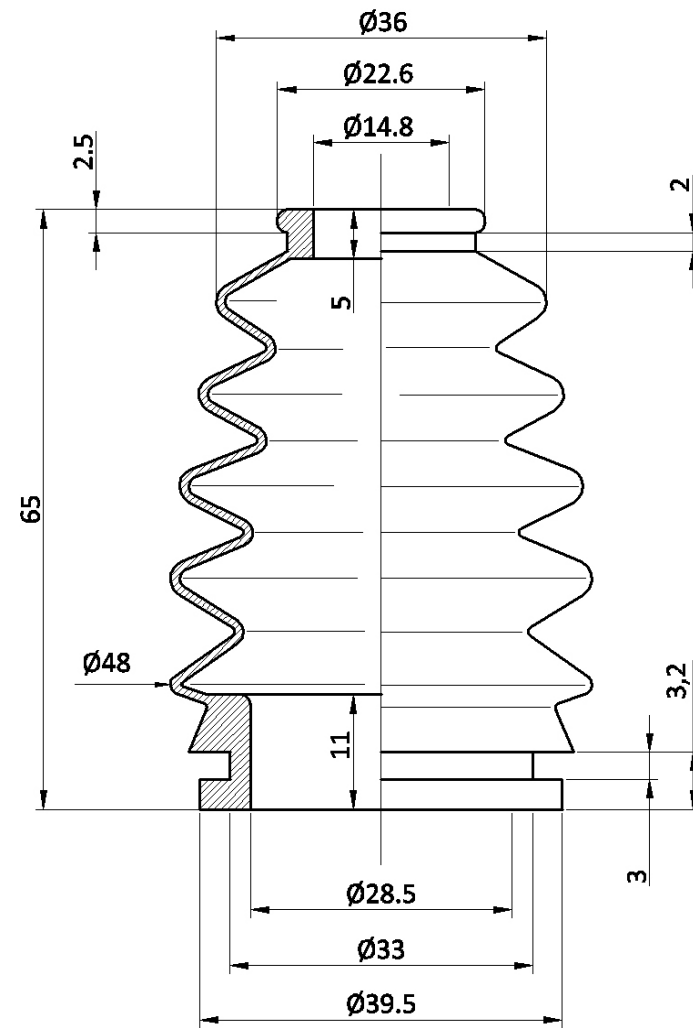
5275



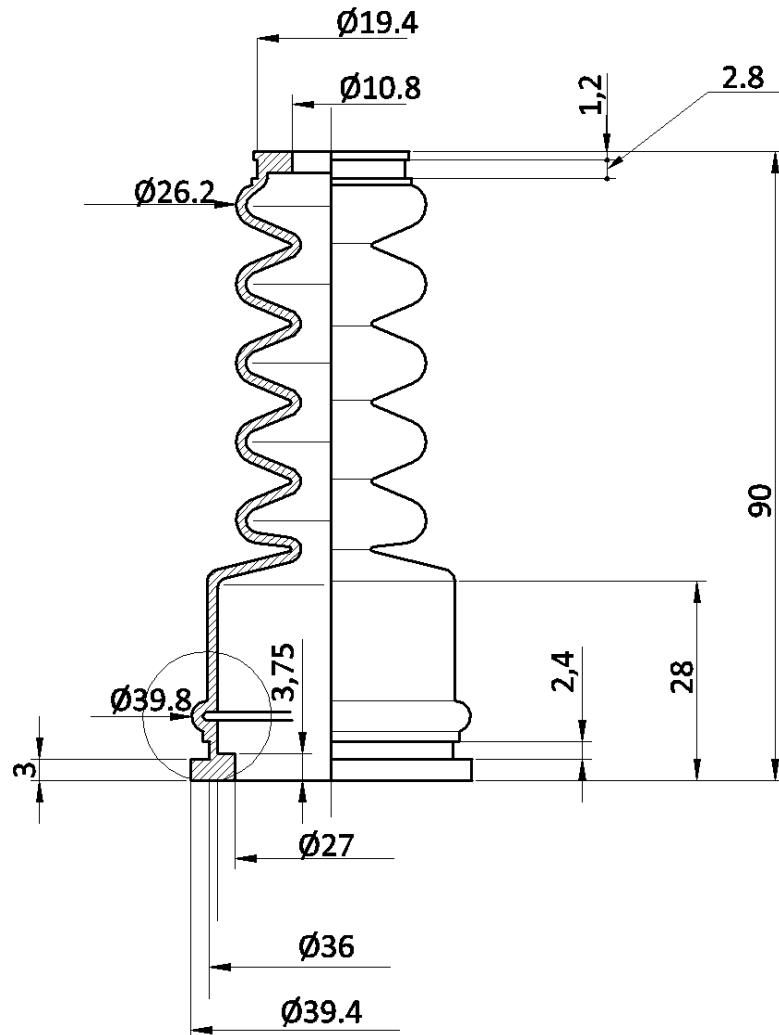
5223



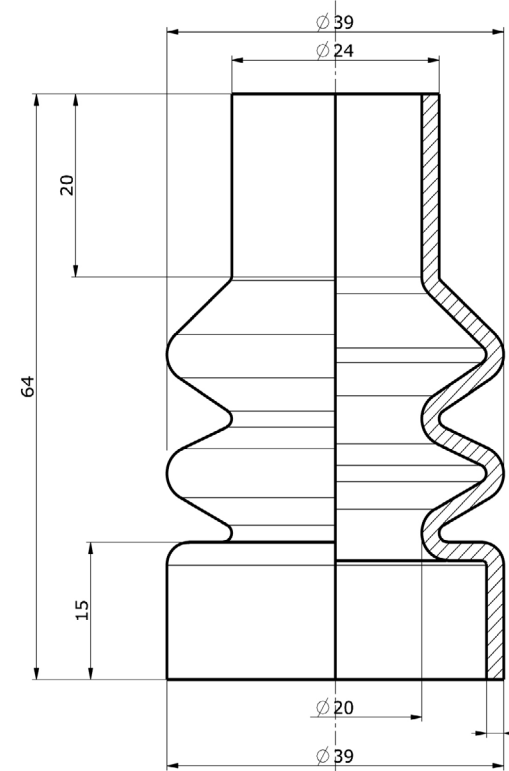
5576



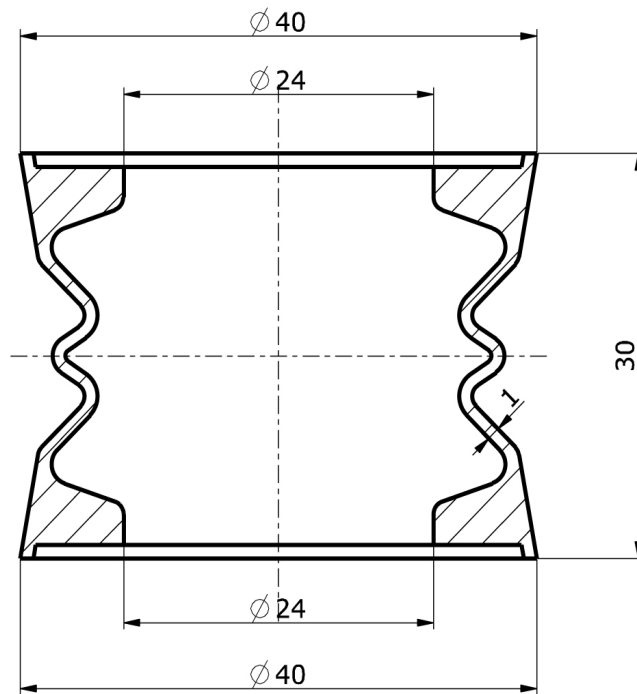
5224



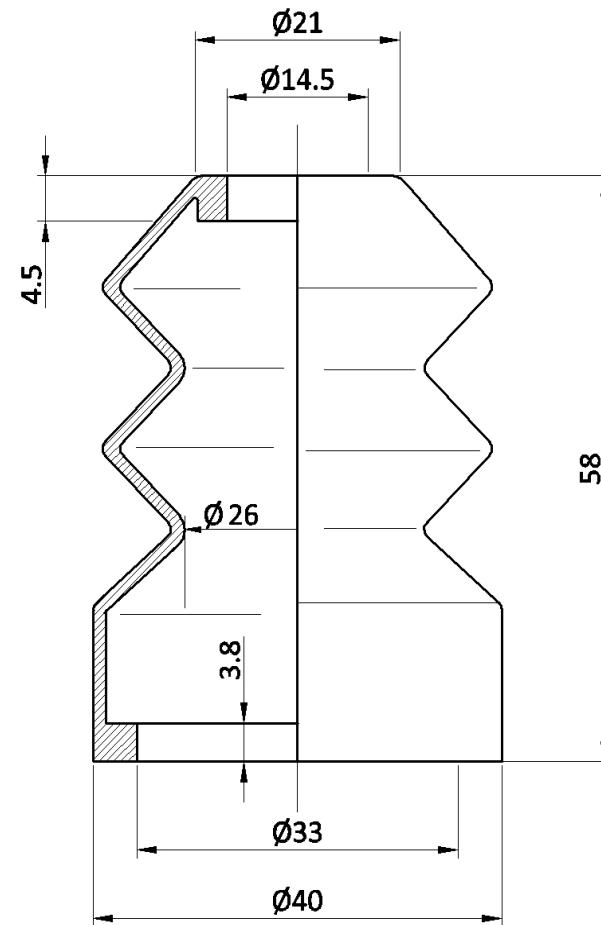
1689



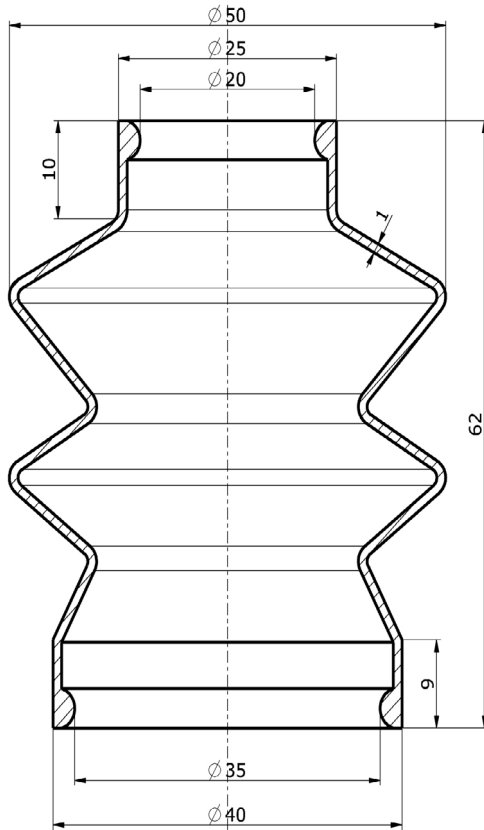
4523



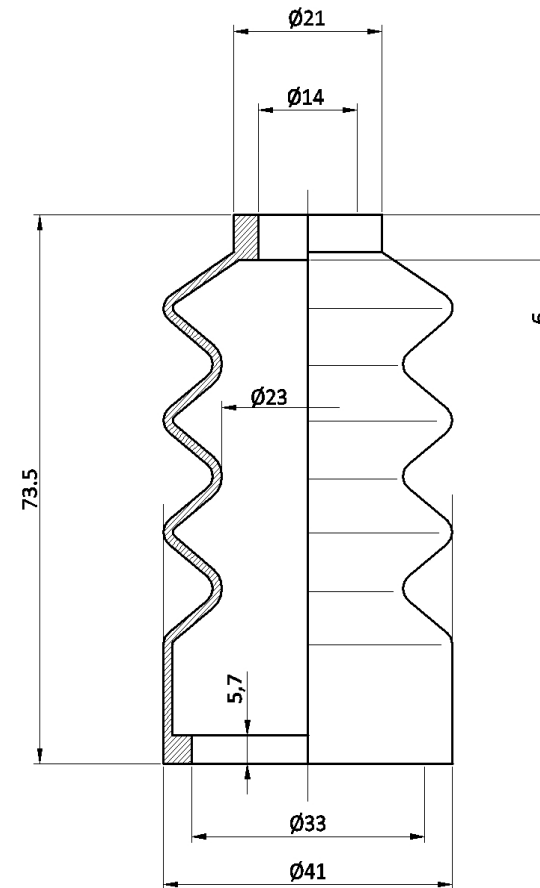
2690



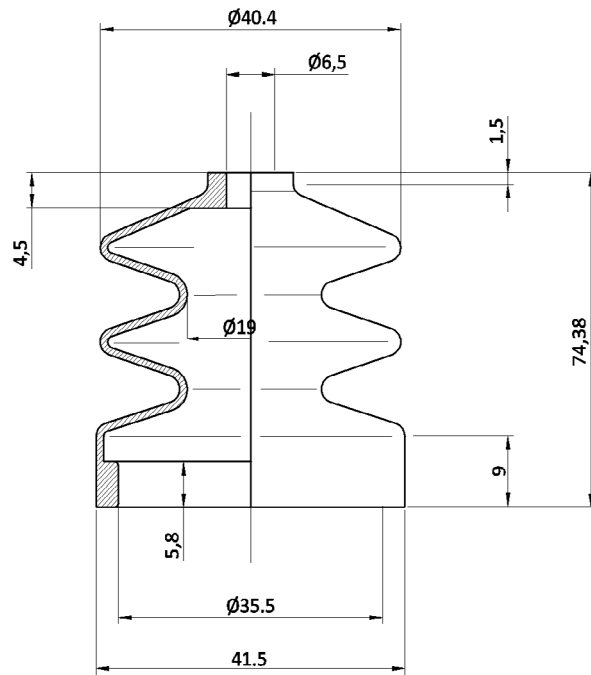
2818



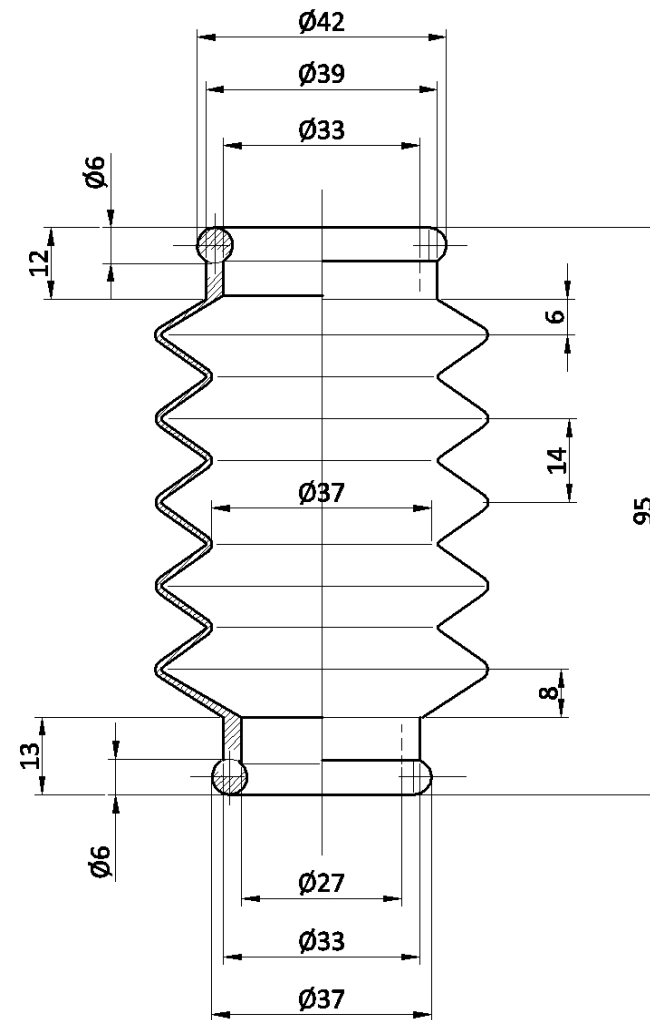
5116



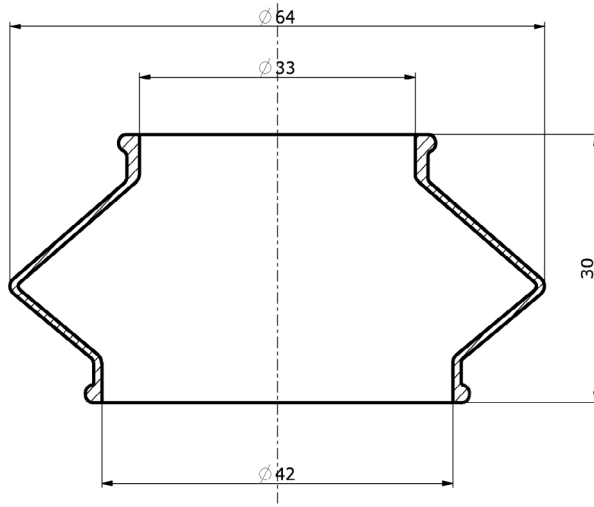
5313



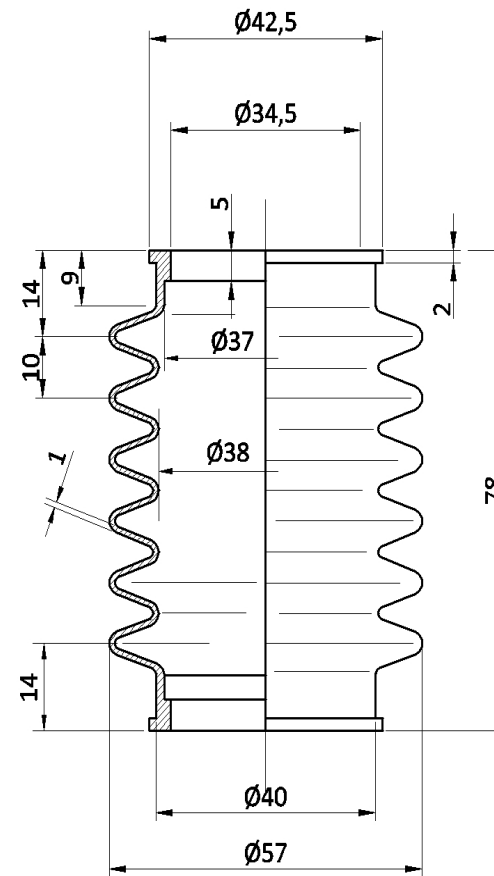
1826



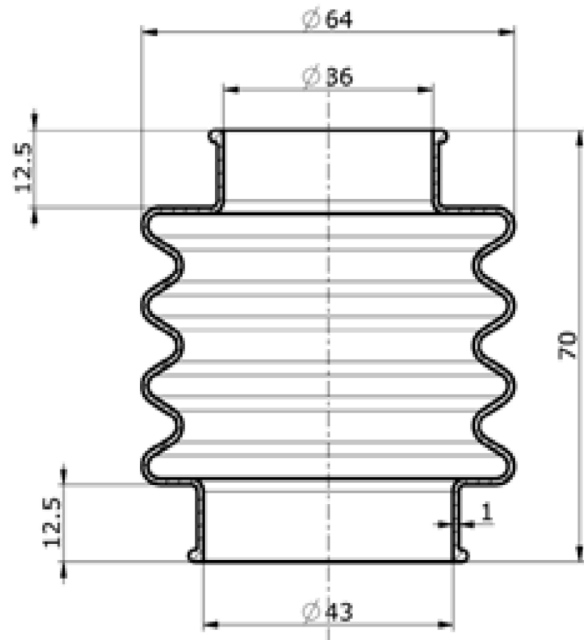
1478



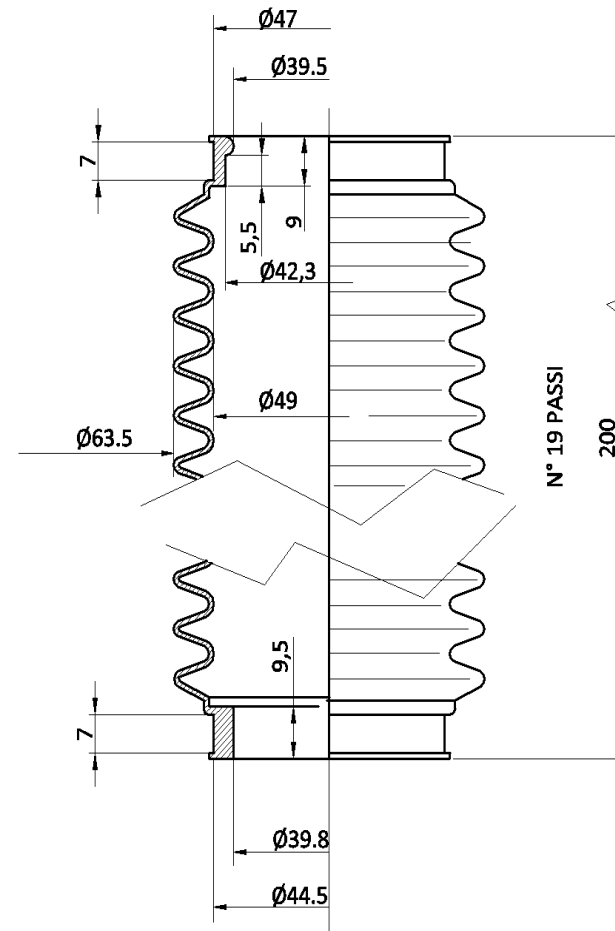
163



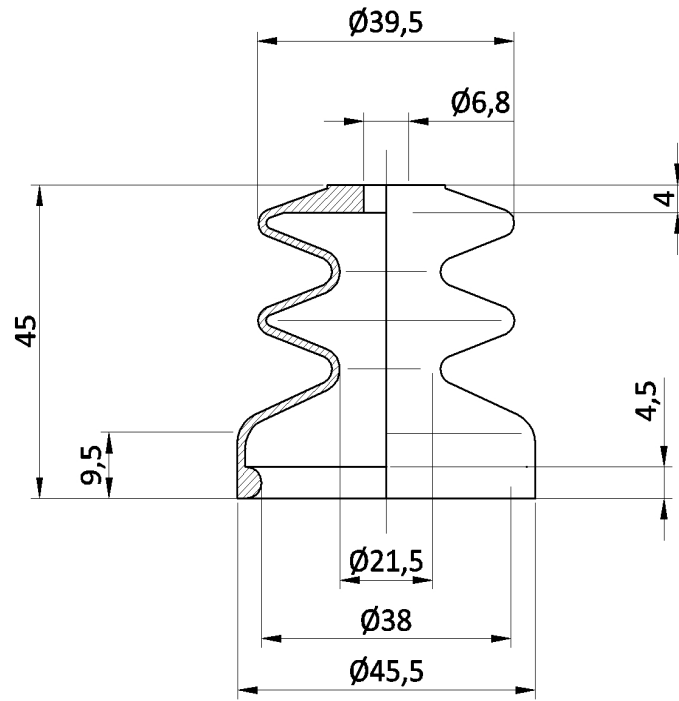
246



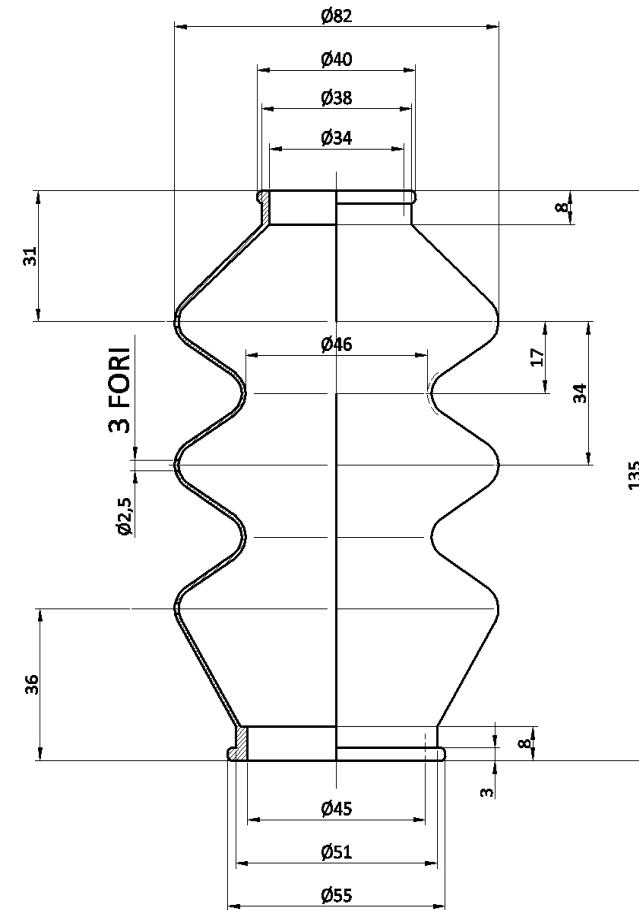
833



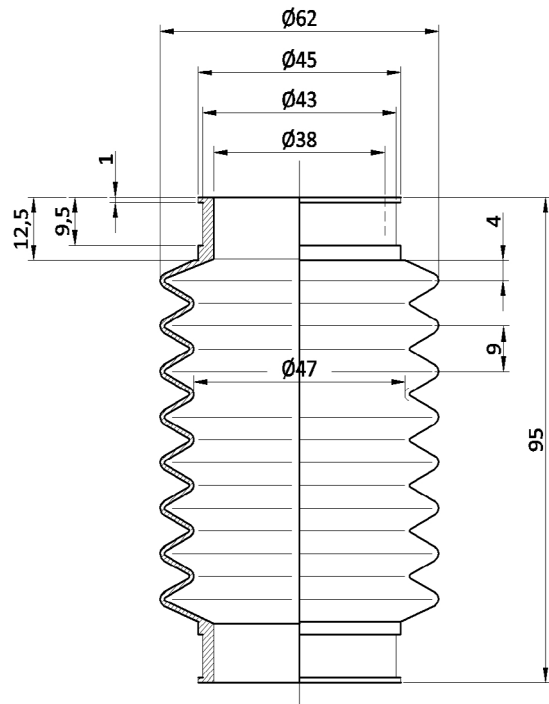
5345



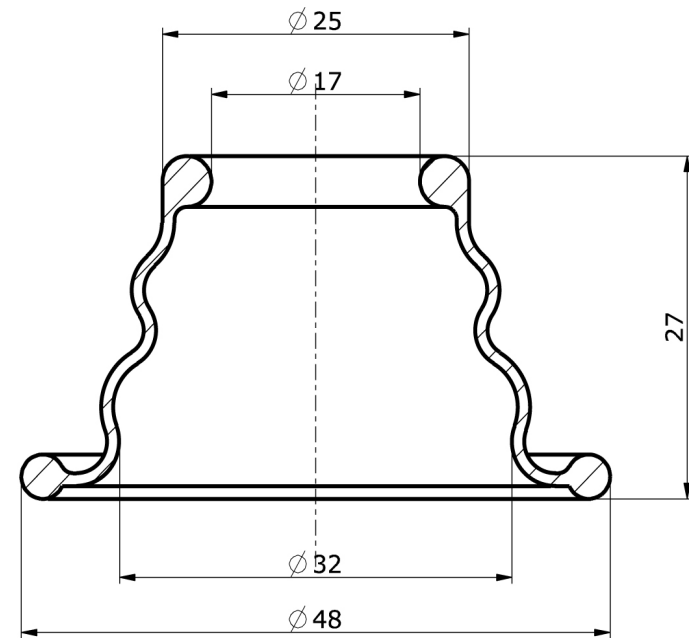
5438



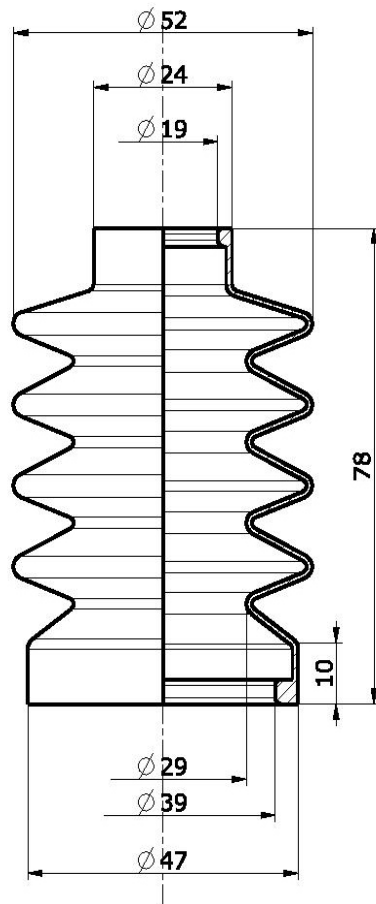
5053



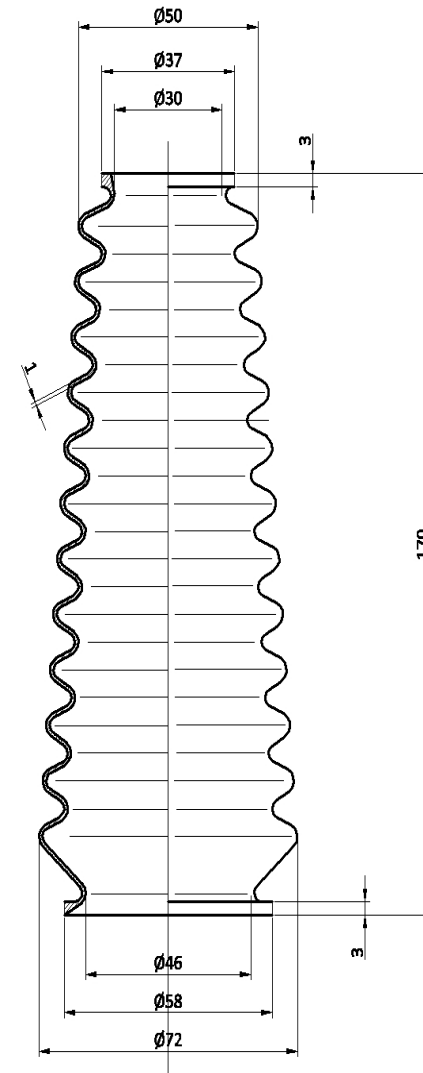
3952



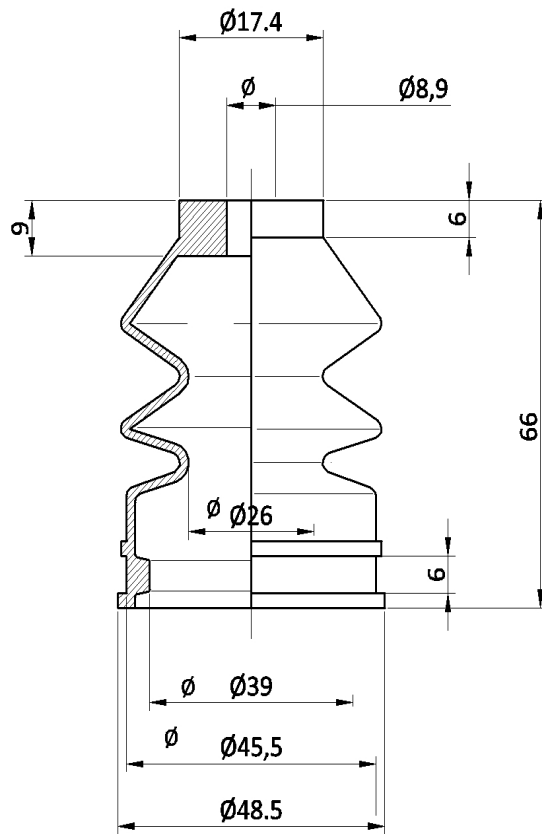
451



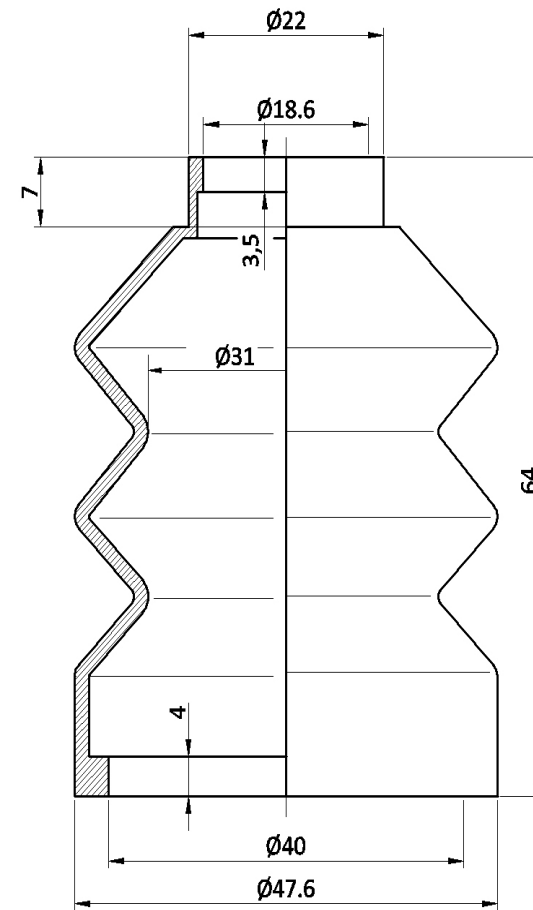
4123



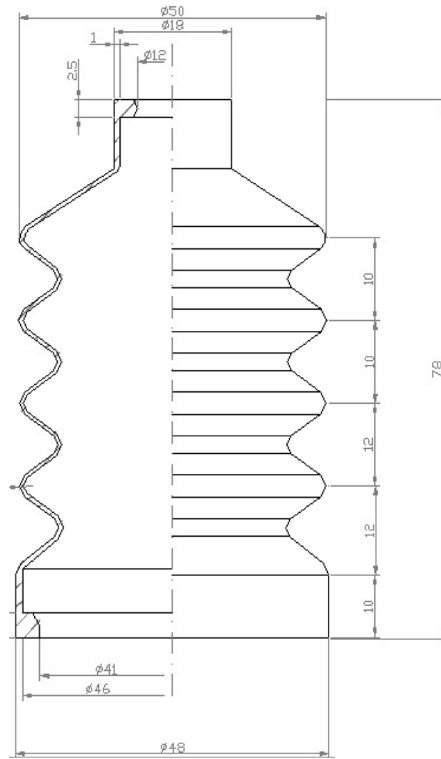
5447



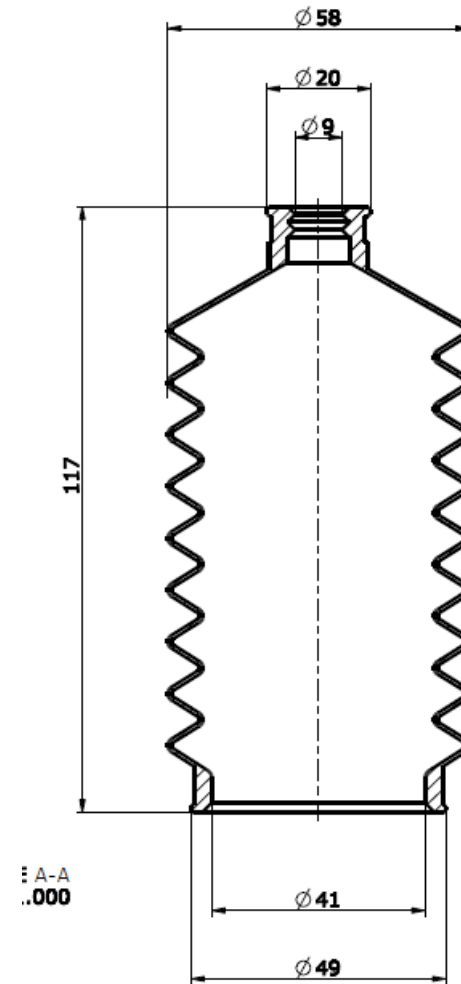
5387



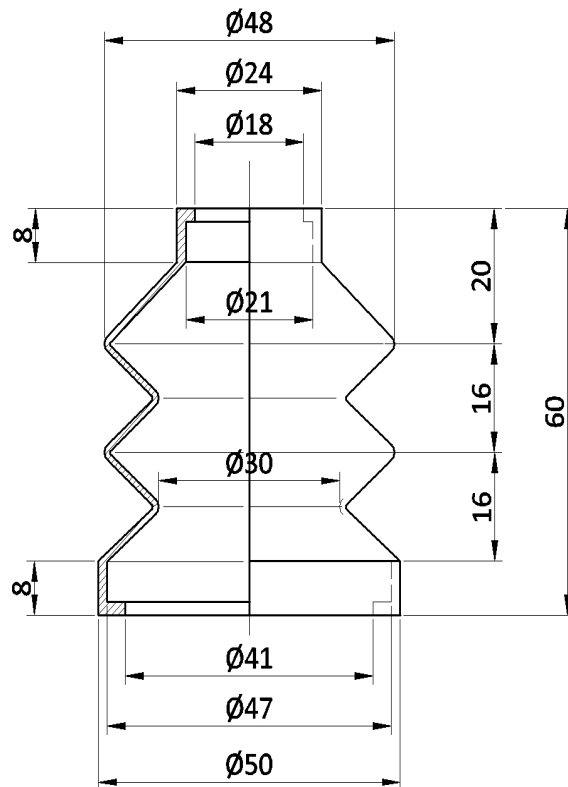
4678



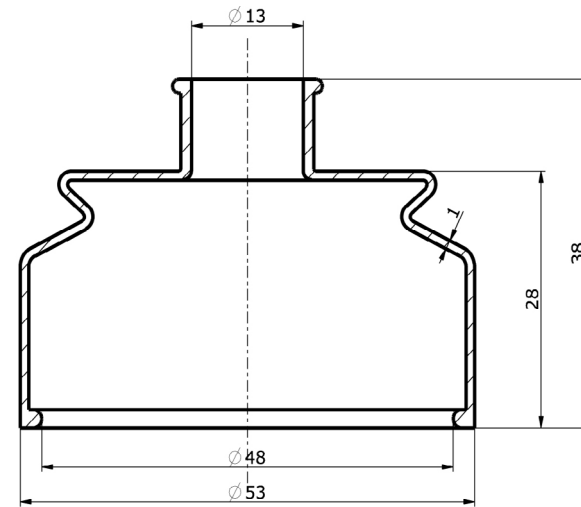
7021



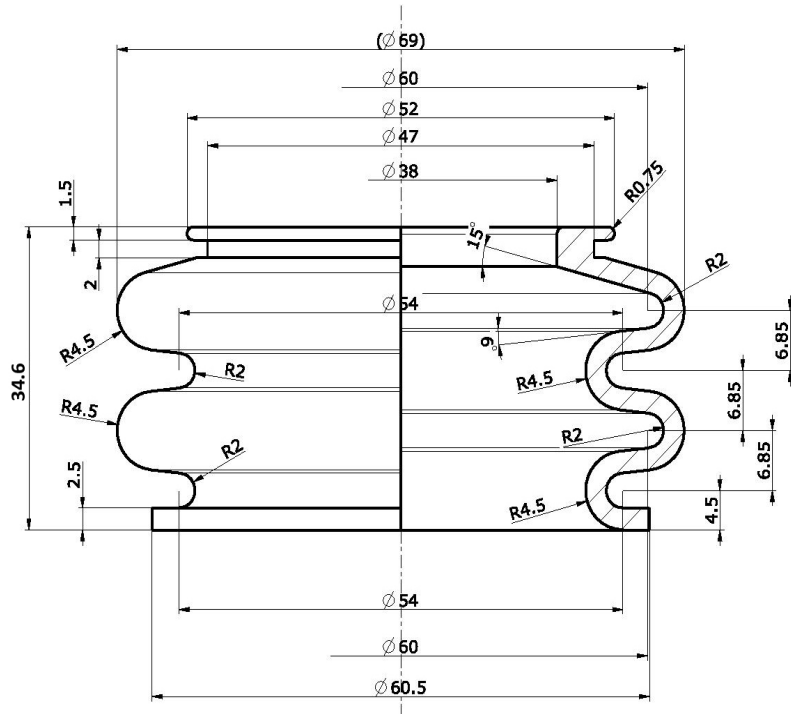
1825



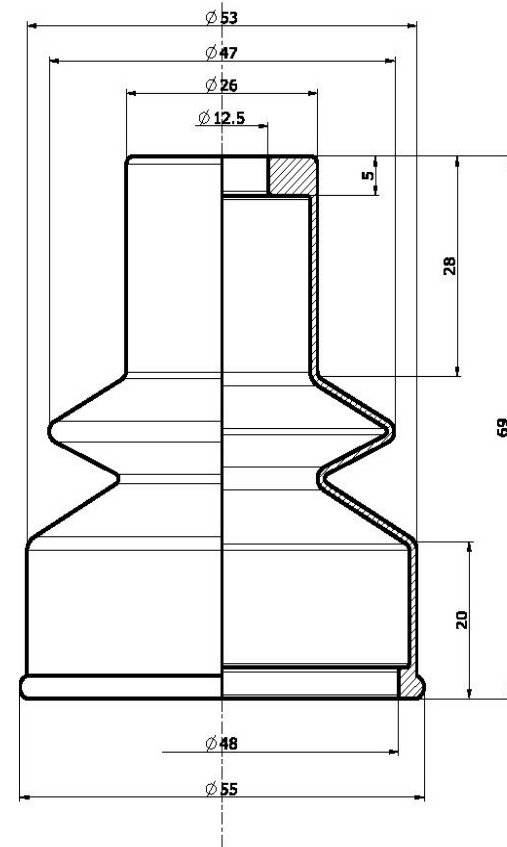
5347



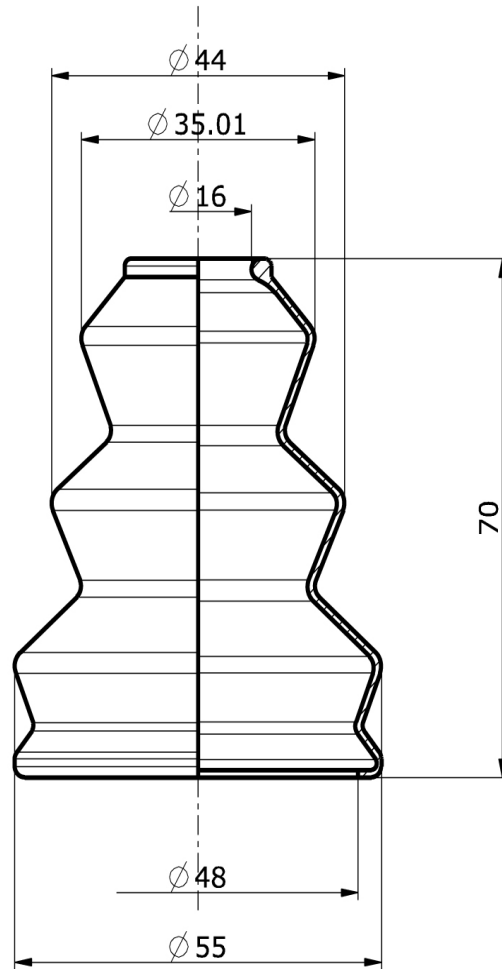
5594



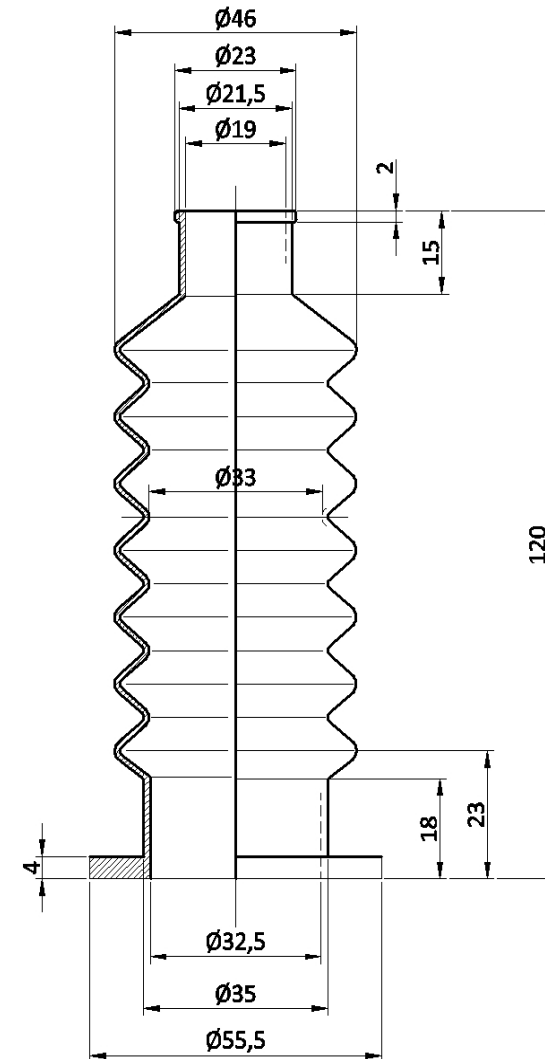
453



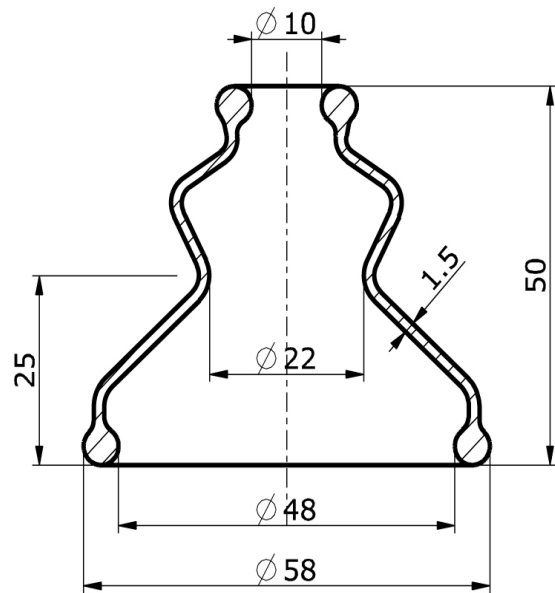
1479



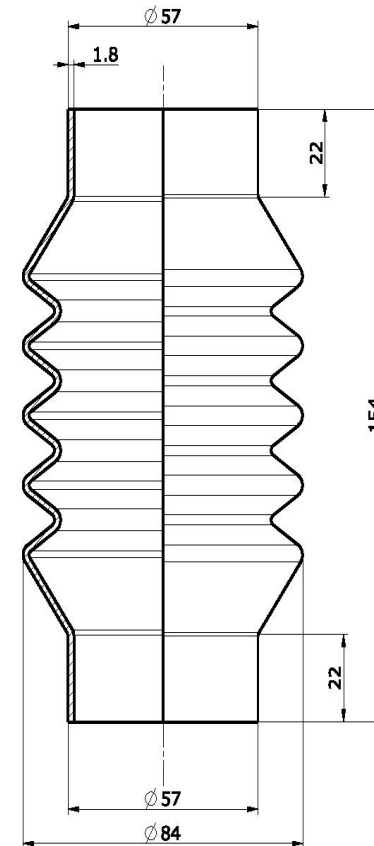
4634



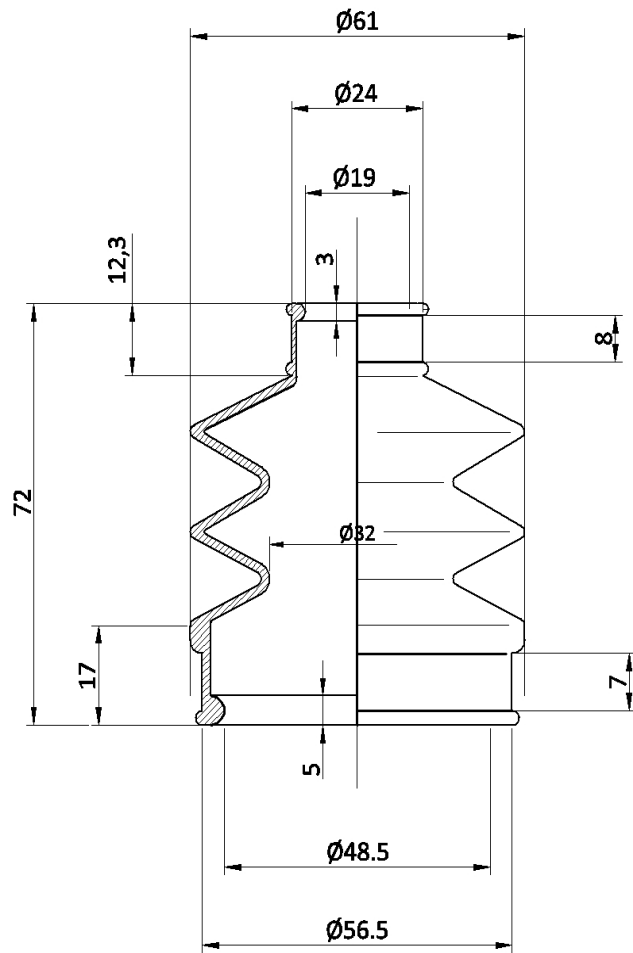
3951



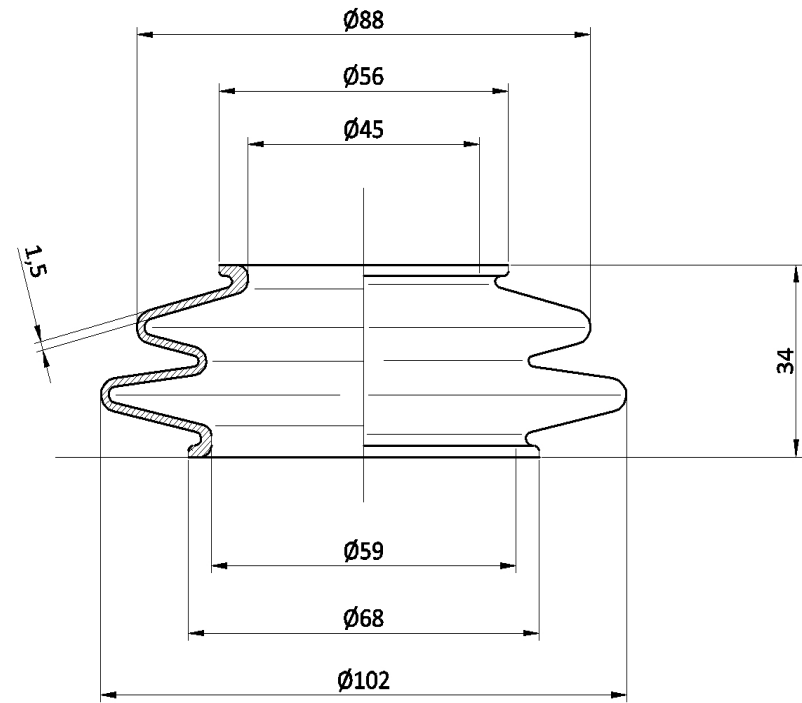
4481



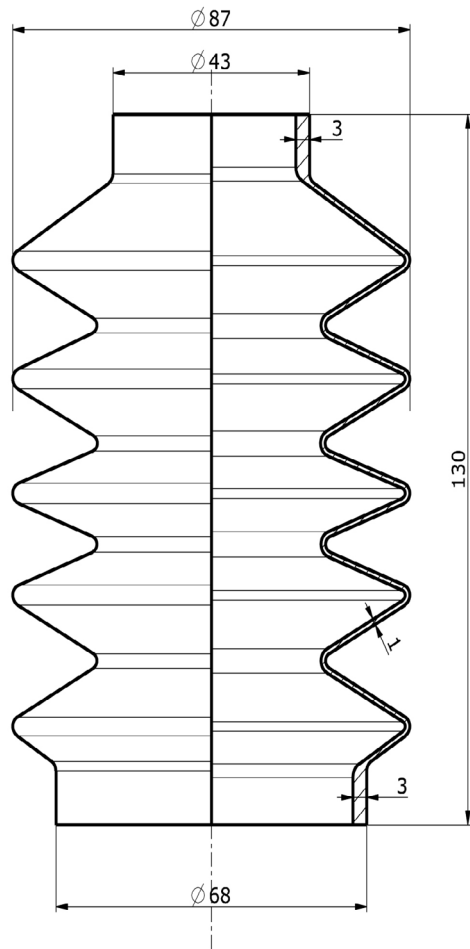
452



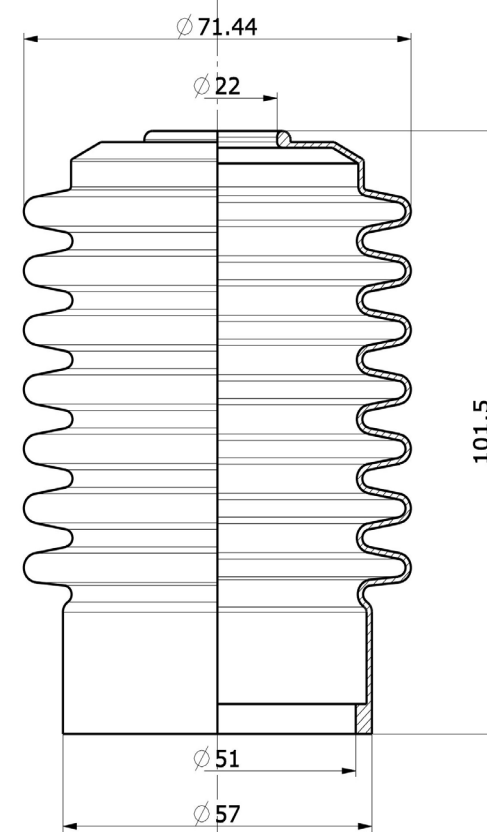
1461



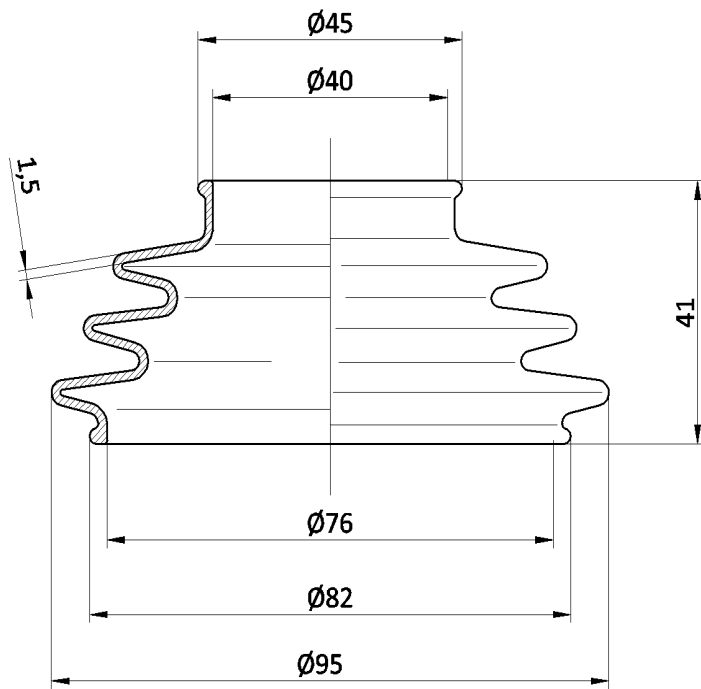
4059



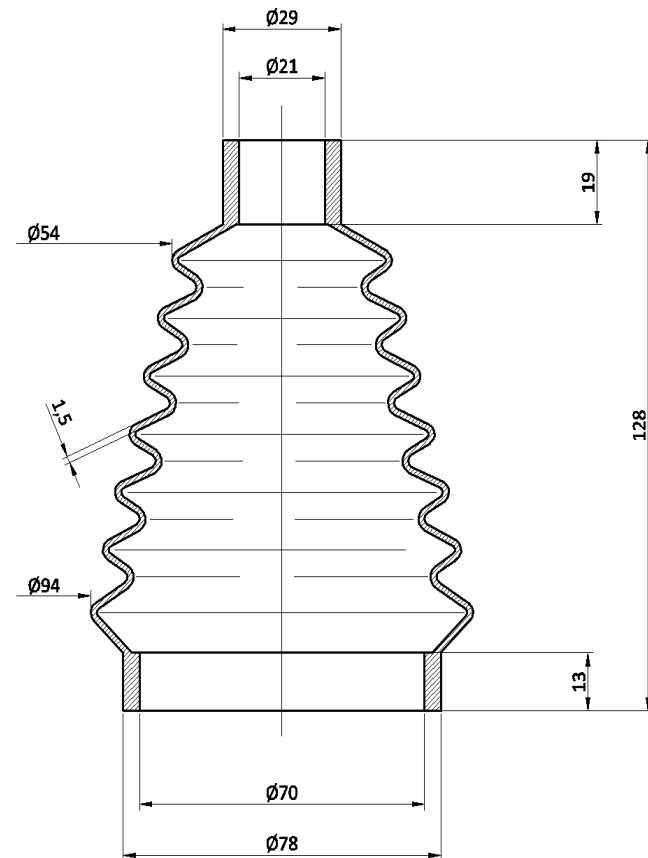
1175



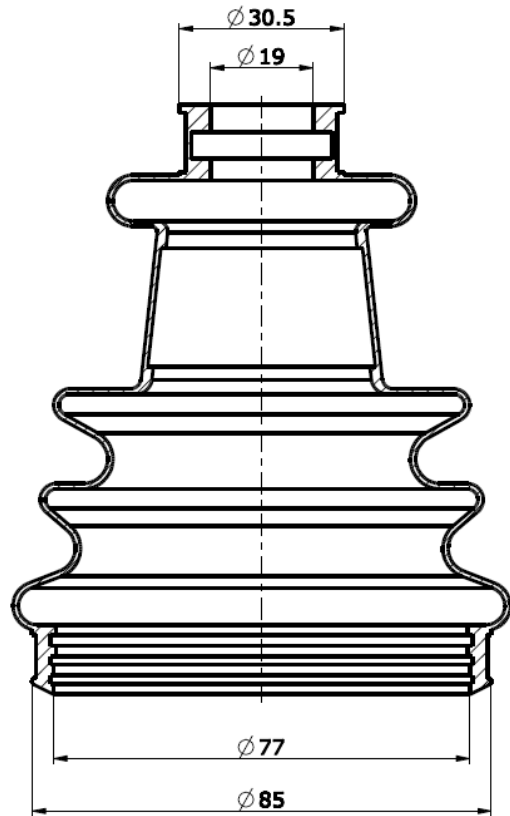
1460



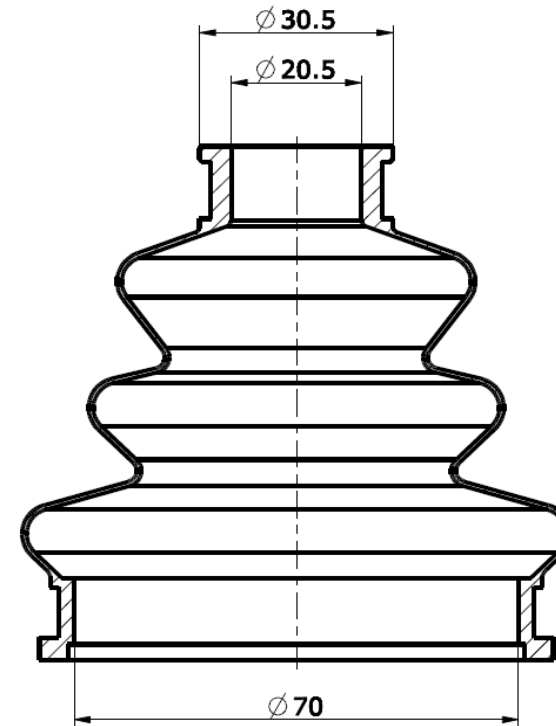
2578



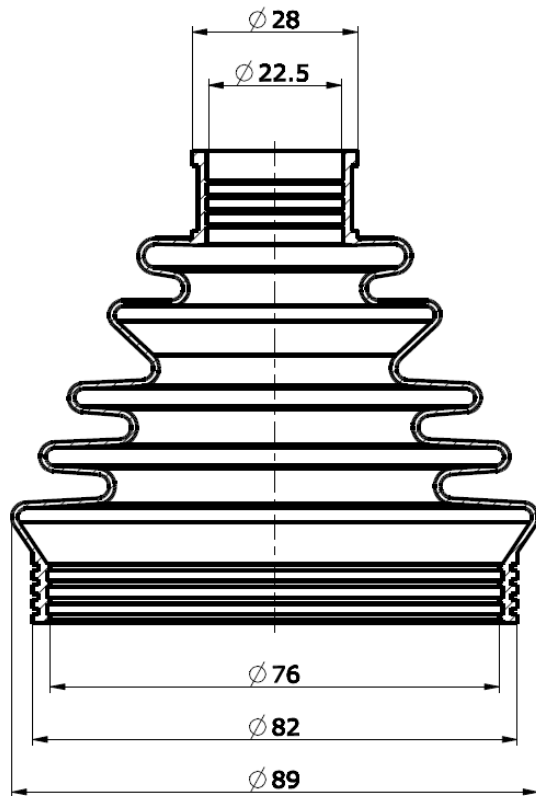
9479



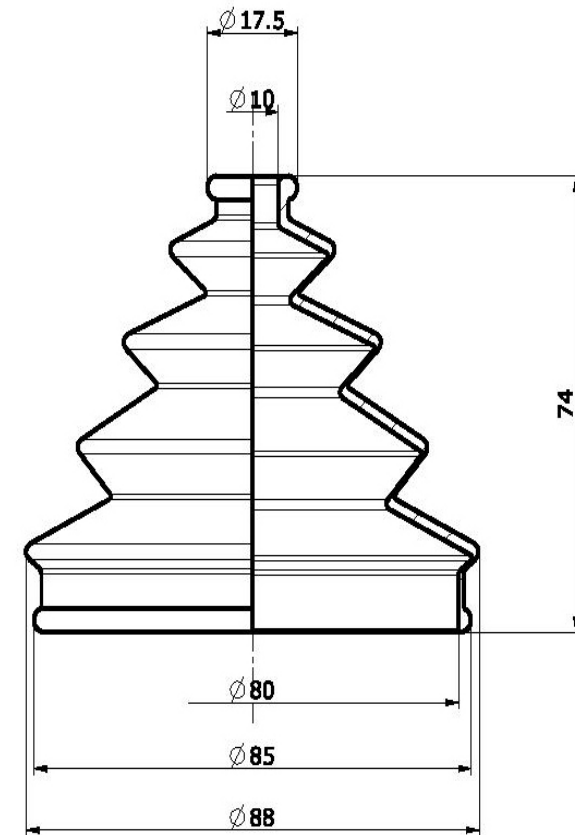
7401



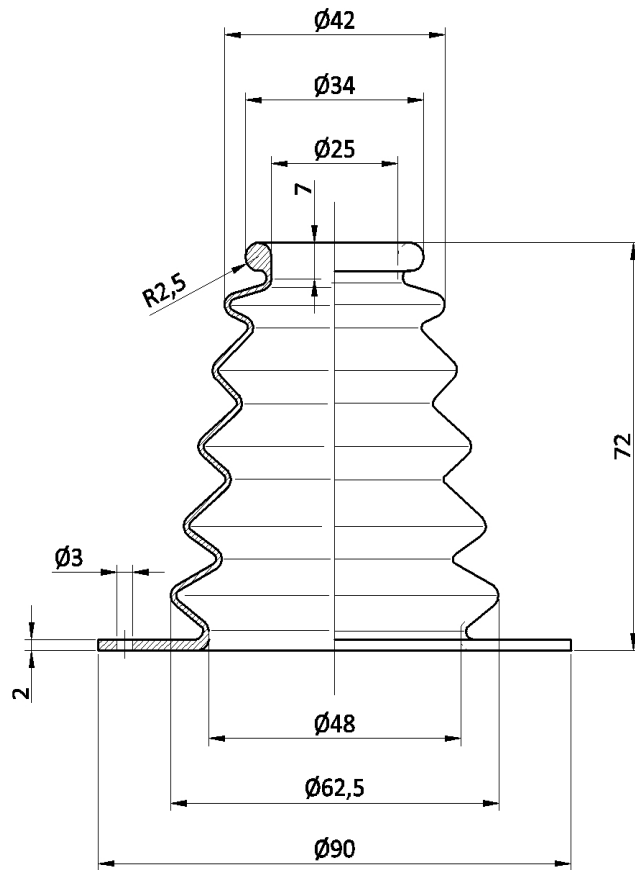
26864



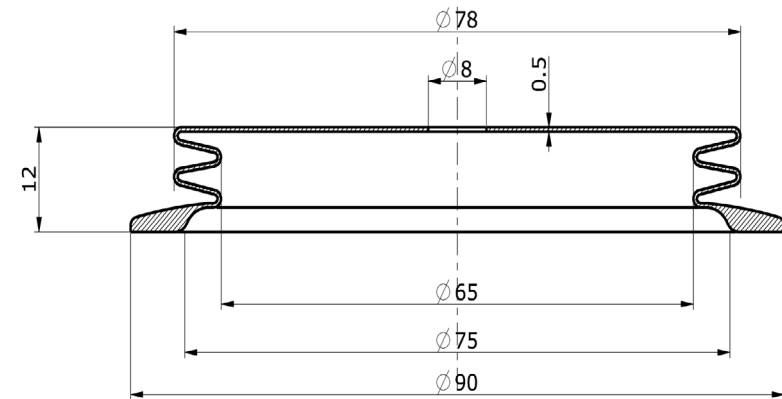
1916



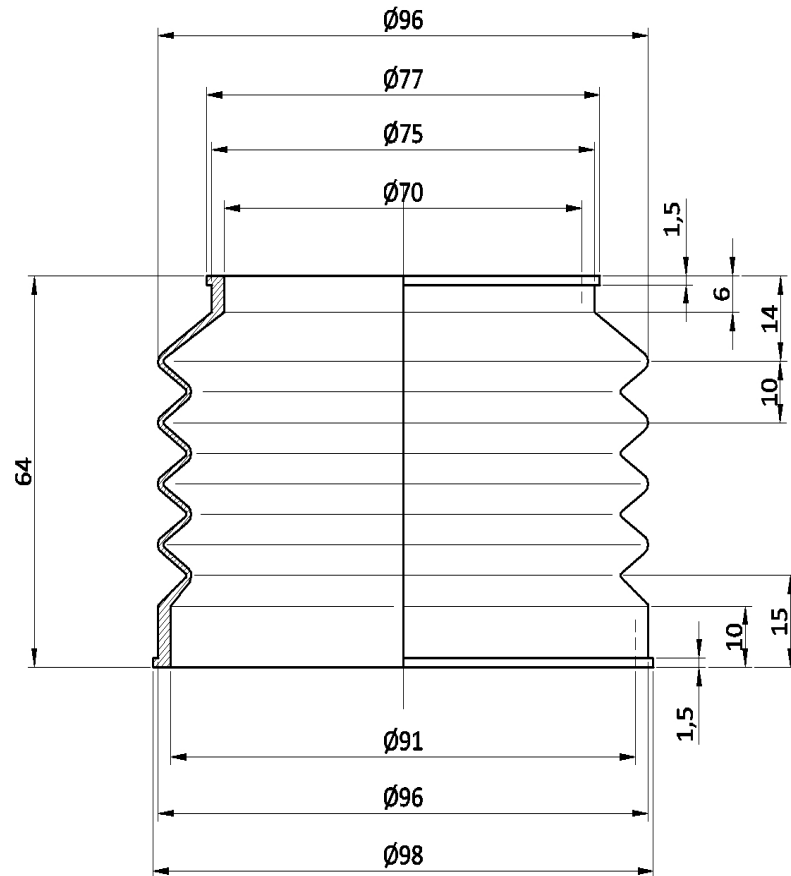
1579



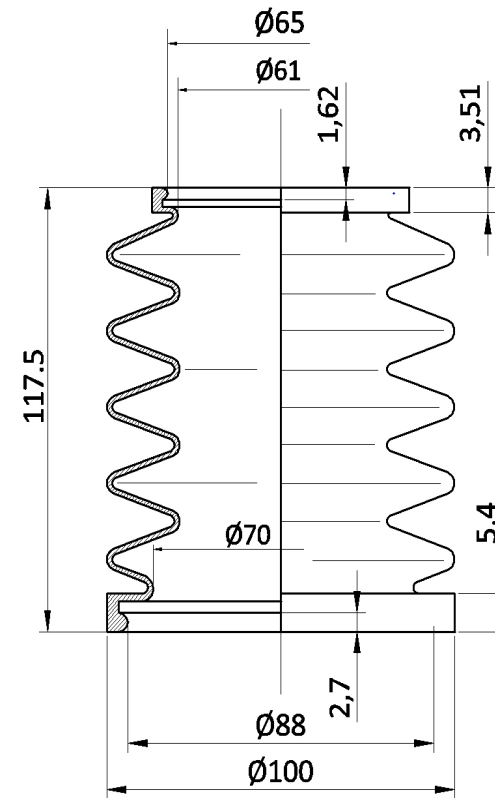
2201



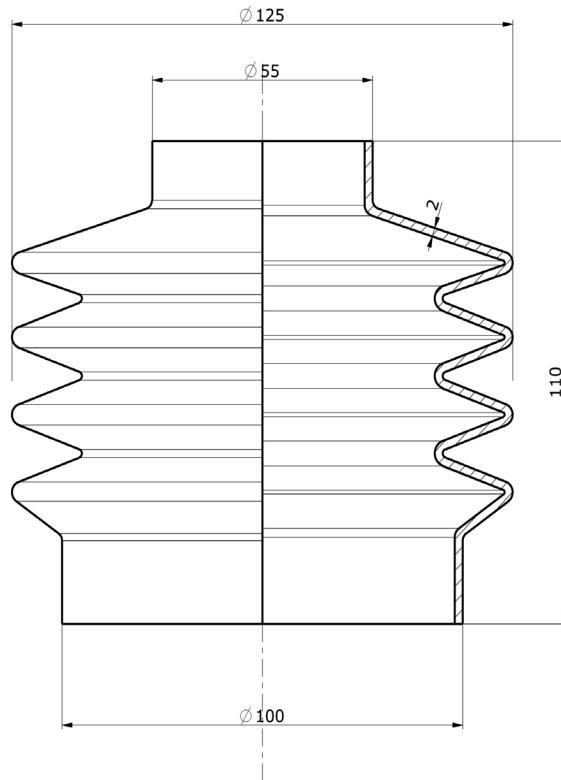
4524



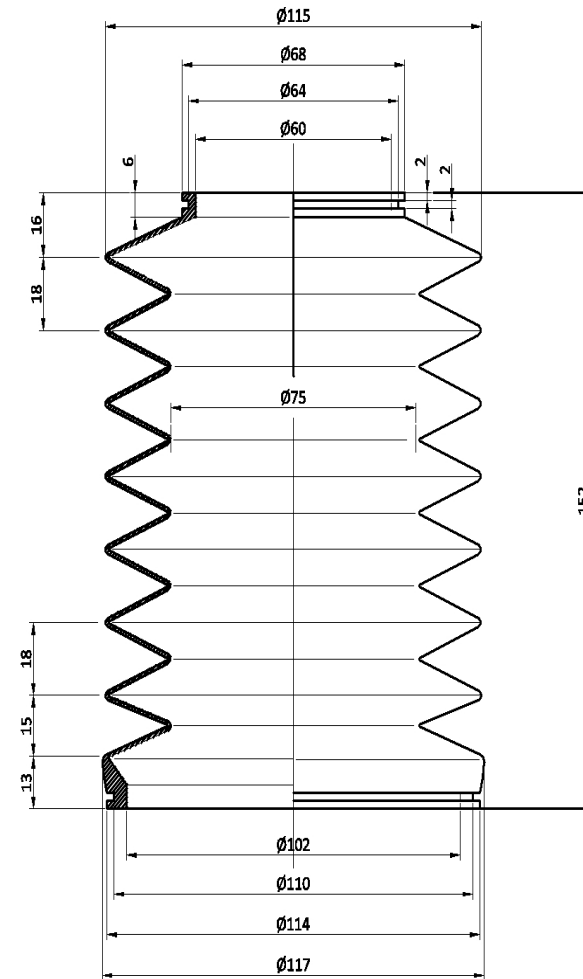
4354



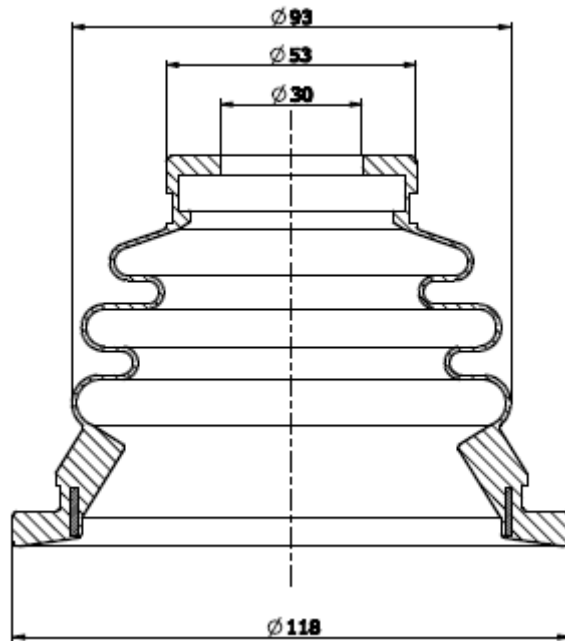
4215



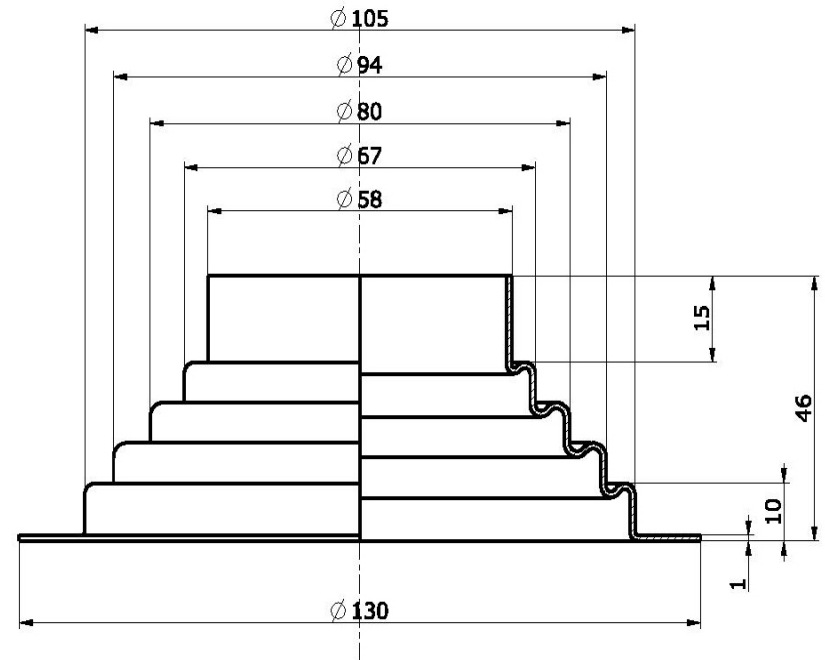
2459



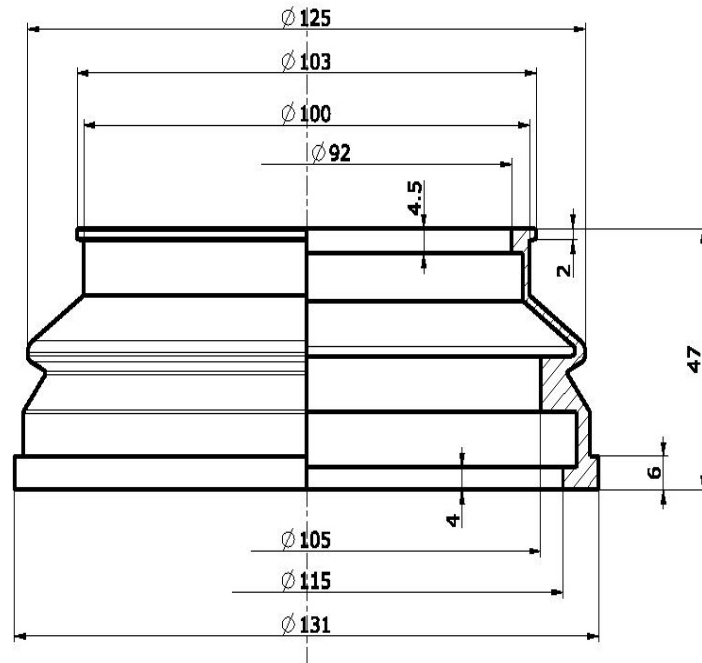
29469



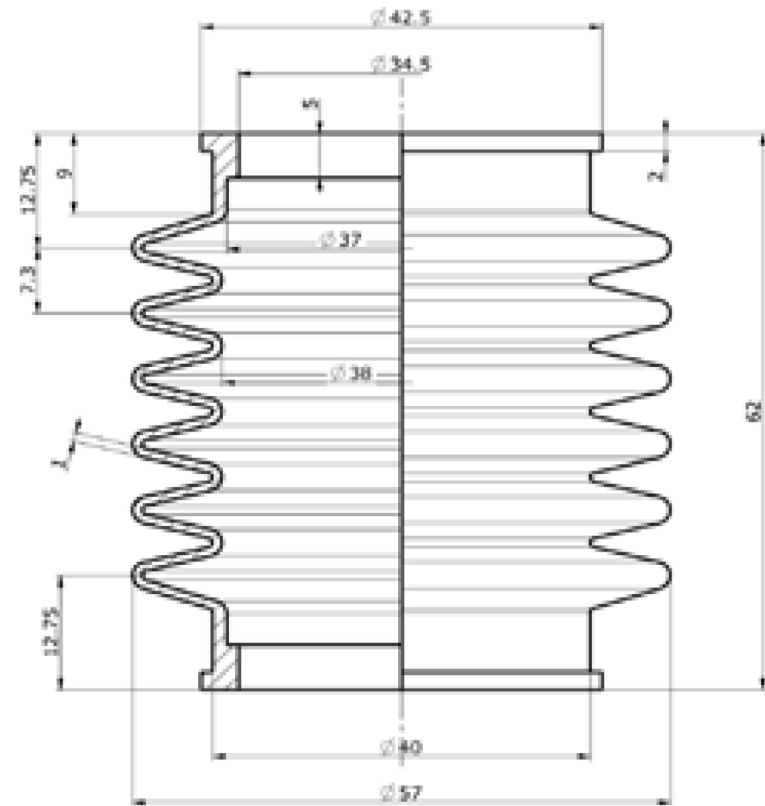
7392



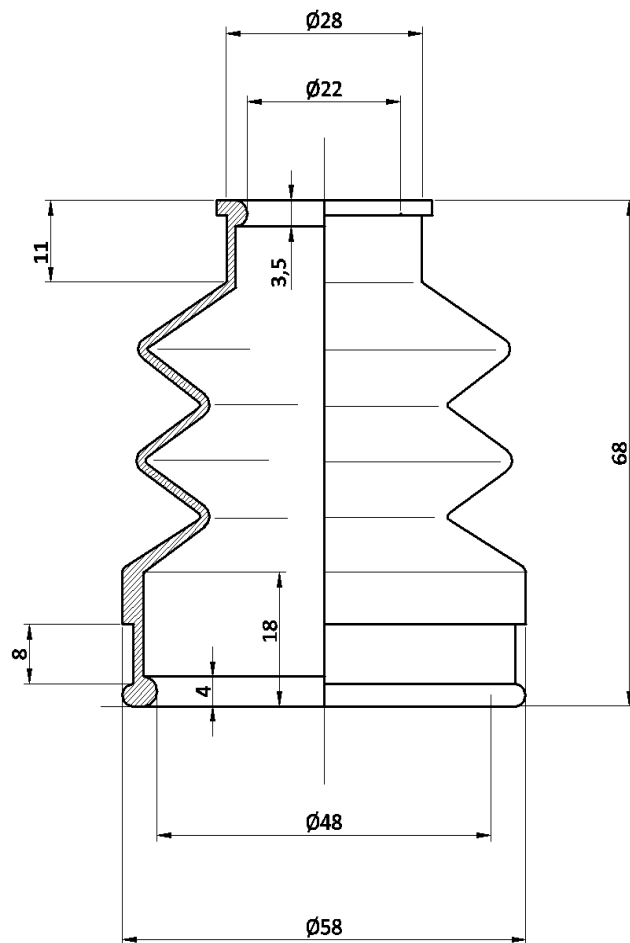
2683



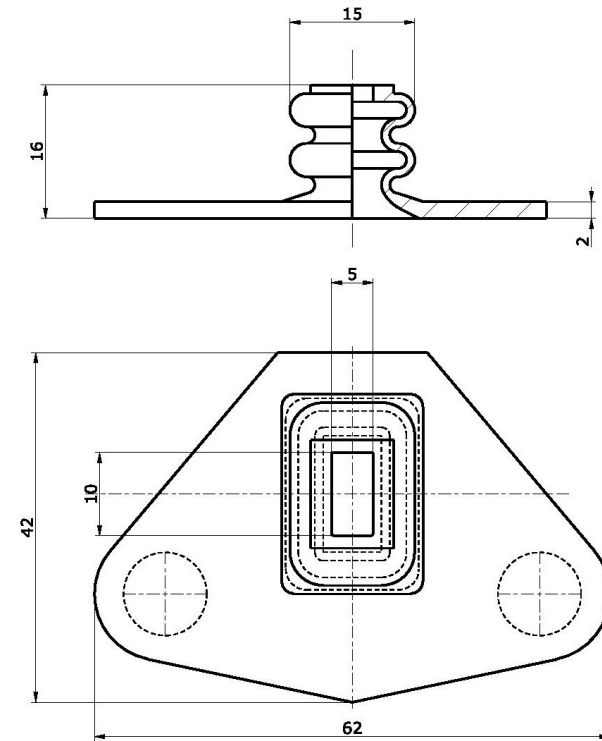
5639



5052



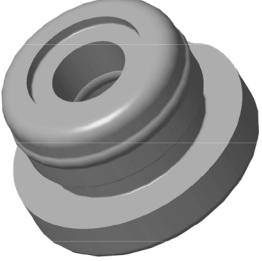
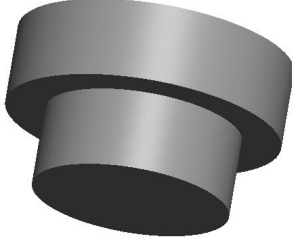

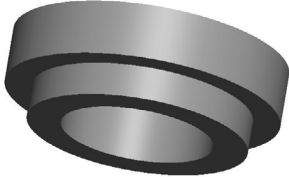
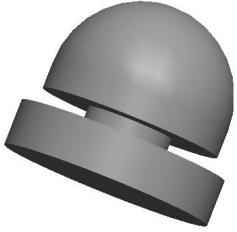
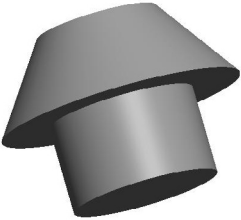


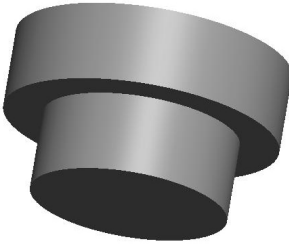
2590



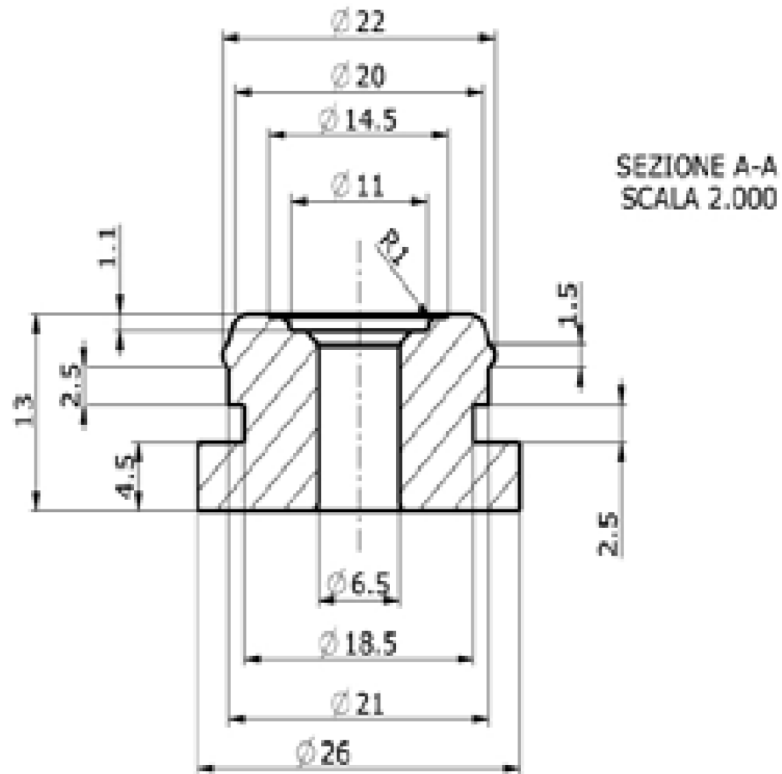
Plugs



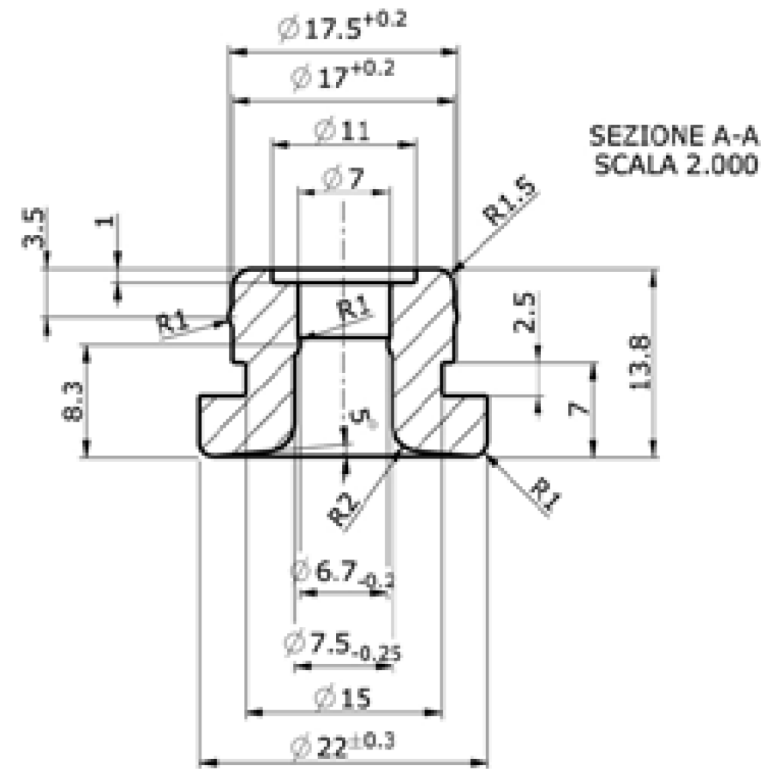
Click on the **profile** that suits your needs to access the table with quotations and the SAPAT codes.

Connections	1	2	3	4
 5	 6	 7	 8	 9
 10	 11	 12	 13	14 OTHERS

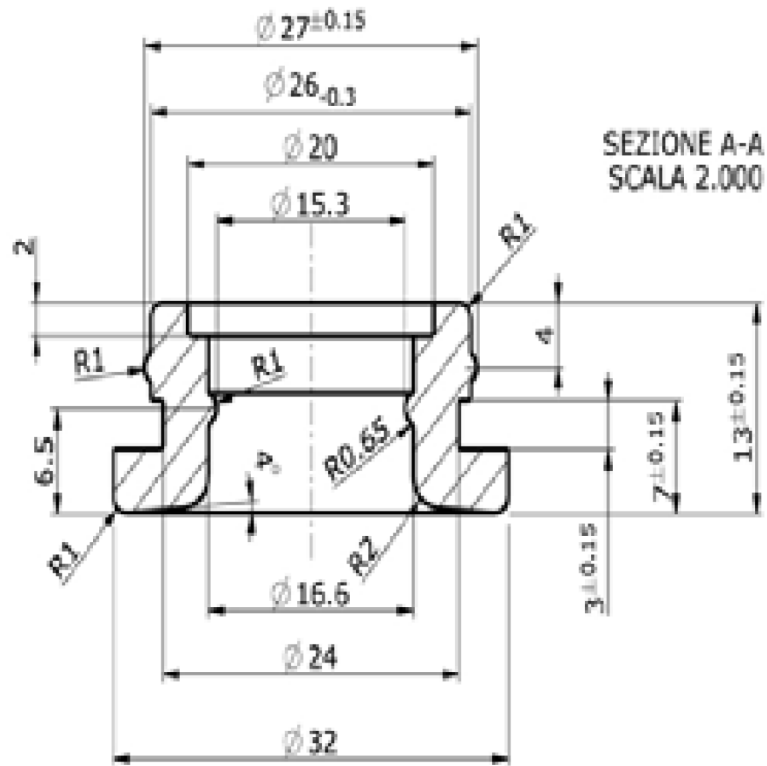
5337



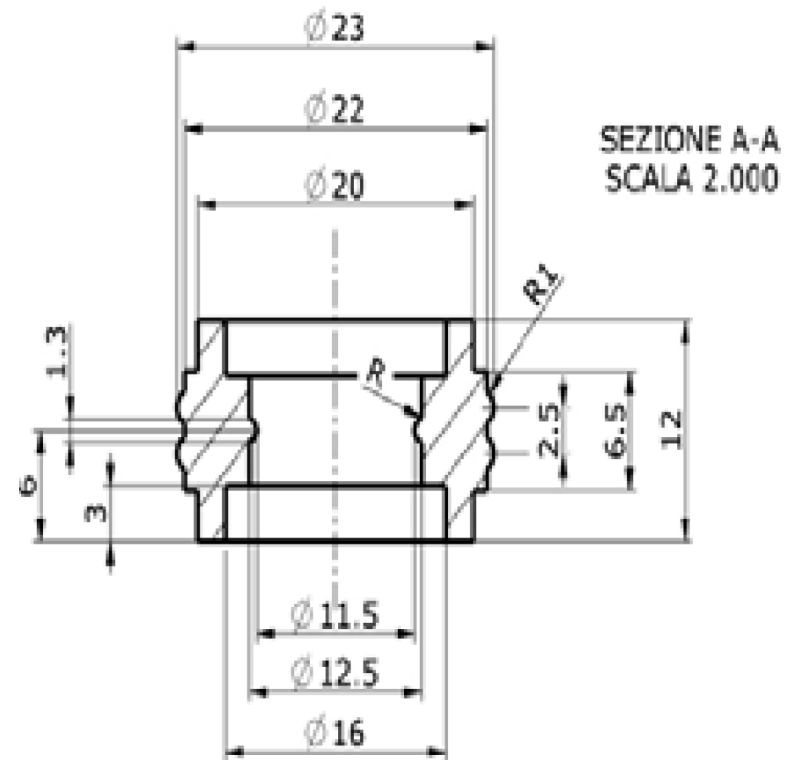
5566



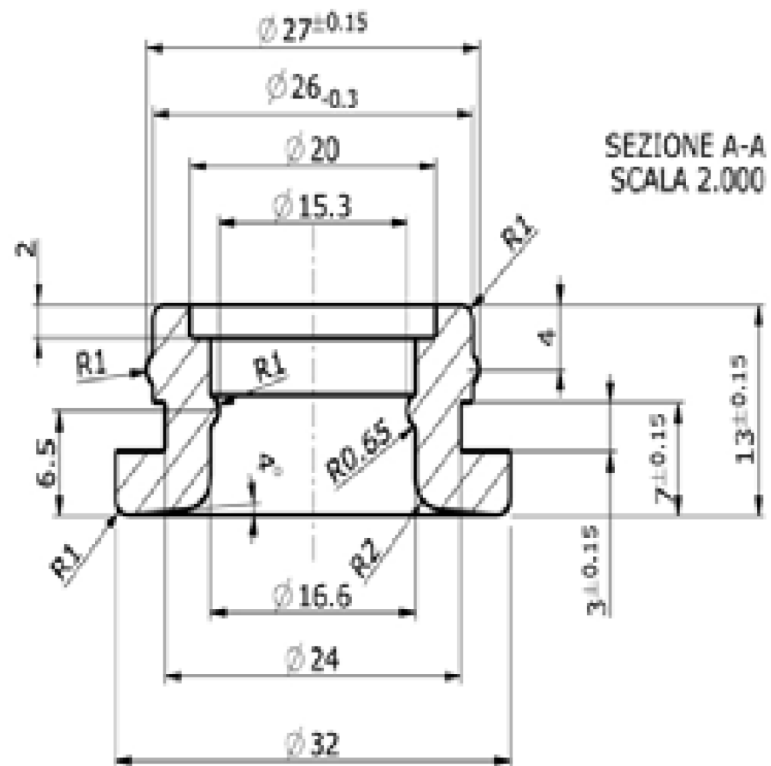
5573



5590



5391

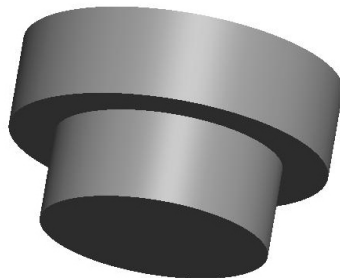
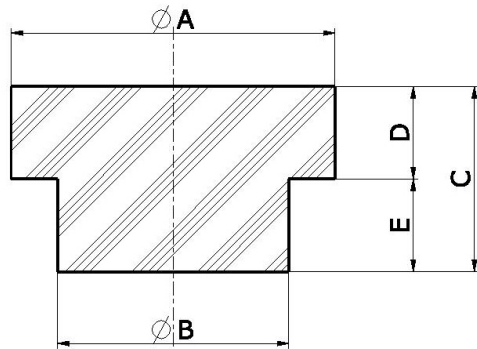


<< Back to all TYPES

1/2

TYPE 1

See column "NOTE"



A	B	C	D	E	Note	SAPAT Code
6.5	4.5	9.5	3.5	6		3588
7	4.5	4.5	1	3.5		4890
10	2.5	7.5	3.5	4		4205
10	4	18	4	14		3307
10	8	8	3	5		3218
10	5	14	4	10		4647
11	6.5	17	2	15		4831
11	8	17	4.5	12.5		3811
11	9	9	3	6		3515
12	10	8	3.2	4.8		4562
14	6	7.5	2.5	5		4742
14	8	10	2	8		2261
15	8	11	3	8		2547
15	10	16	4	12		728
16	6	6.5	3	3.5		4186
17	13	25	7.5	17.5		1378
18	14.5	25	10	15		2435
20	17	10	2	8		2912
22	15	31	21	10		4093/1
24	12	9	1.5	7.5		165
24	14	25	15	10		1227
24	20	10	6	4		2150
25	14	16	10	6		3281
25	20	31	10	21		1872

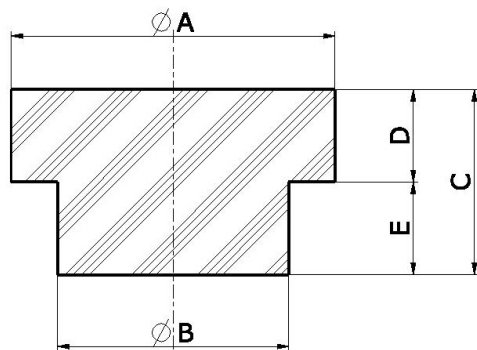


<< Back to all TYPES

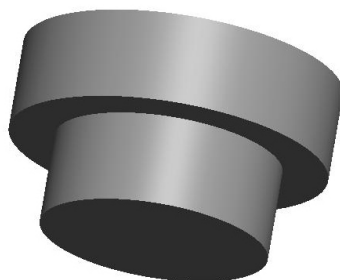
2/2

TYPE 1

See column "NOTE"

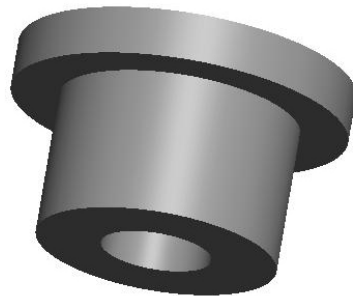
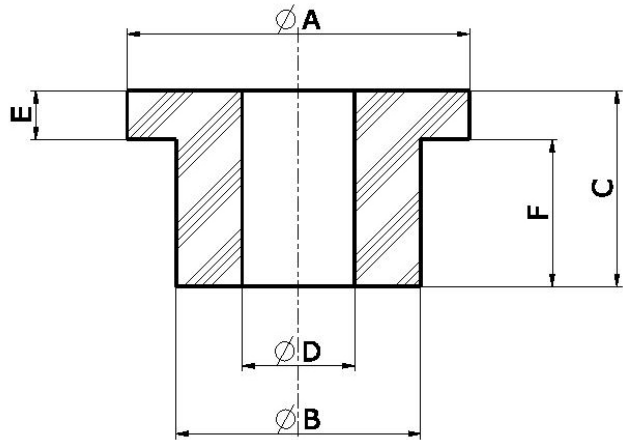


A	B	C	D	E	Note	SAPAT Code
27	16	18	9.5	8.5		7072
30	9	20	6	14	Threaded	1551
32	24	23	11	12		2050
38	30.5	10	5	5		4483
39	17	28.5	8.5	20		727
40	18	23	11	12		1630
40	18.5	29	9.5	19.5		732
50	35	20	15	5		4810
57	47	33	8	25	Square base	7133
65	7	34	25	9		2864



<< Back to all TYPES

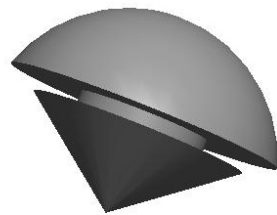
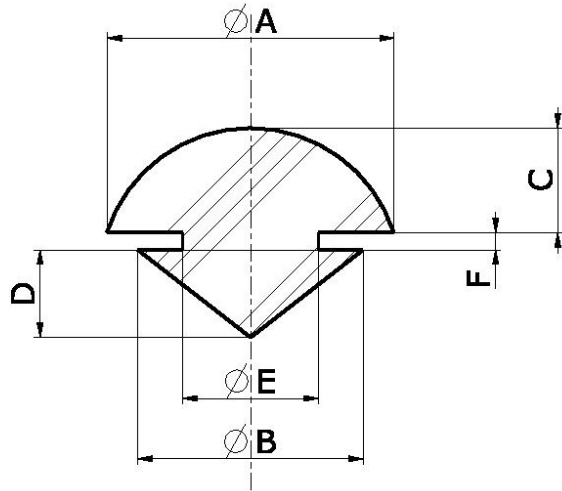
TYPE 2



A	B	C	D	E	F	SAPAT Code
10	6	13	3	2	11	7330
12	7	7.5	5	1	6.5	4760
16	5.5	3	4	1	2	1902
17	11	15.5	5.5	2.5	13	7307
25	22	27	13	4	23	1727
25	14.5	6.5	11	1.5	5	1773
26	20	15	4	8	7	3626
36	16.5	26	6.5	10	16	1011
47 Square base		16				3666
60 Square base		40				3661

[<< Back to all TYPES](#)

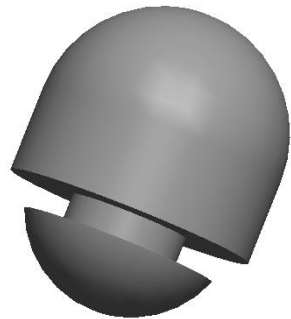
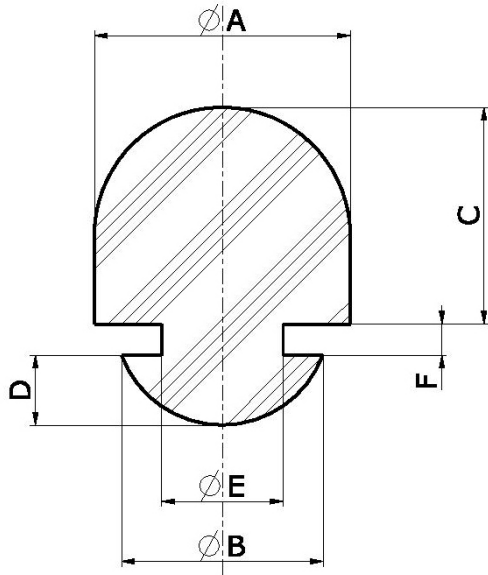
TYPE 3



A	B	C	D	E	F	SAPAT Code
10	5.5	4	4	4	1.5	4168
10	7.5	9	5	5.5	1.5	7018
14.7	9.5	4.5	7.5	7	2	7451

[<< Back to all TYPES](#)

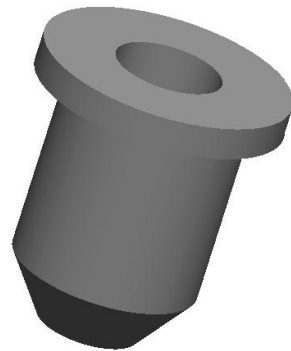
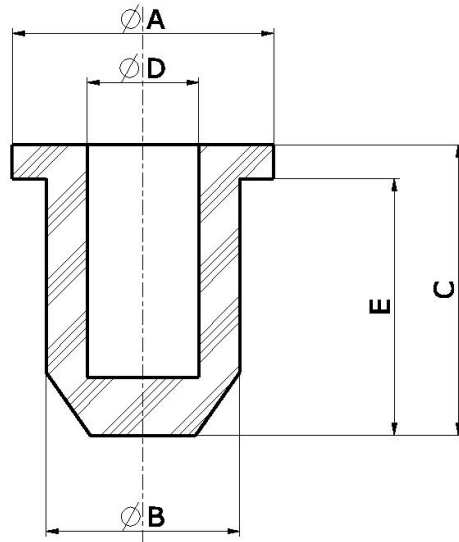
TYPE 4



A	B	C	D	E	F	SAPAT Code
8.5	6.5	7	4	5.5	1.7	1435
20	10	9.5	3	7.5	2	2026

[<< Back to all TYPES](#)

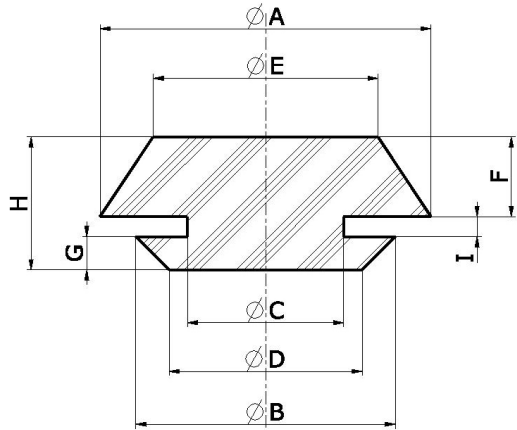
TYPE 5



A	B	C	D	E	SAPAT Code
10	7	8	4	6	4781
13.5	9.5	20	5	16	86223
16	11.7	13	6.5	11.5	4477
18	14	24	7	19.5	3796
33	28	29	22	20.5	3649
34	25	23	16	20	4805
65	45	32	40	28	4676

<< Back to all TYPES

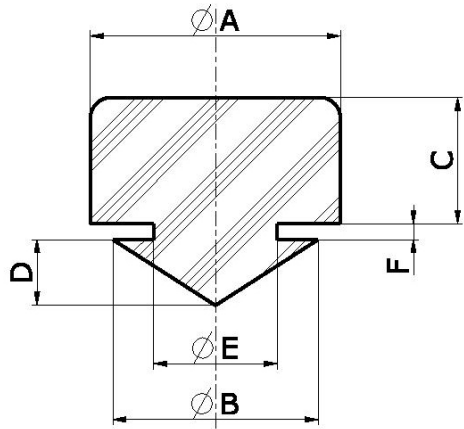
TYPE 6



A	B	C	D	E	F	G	H	I	SAPAT Code
41	37	32	25	31	9	12	29	8	3500
30	27	25	25	29	2.5	2	10.5	6	4012
20	18	16	14	17	3	1.5	10.5	6	4013
55	52	47	38	38	9	12	29	8	4165
14	12	10	9	11	2.5	3.5	8	2	4479
18	13.5	12.5	11	16	5.2	3.6	11	2.2	4478
42	42	32	33	26	7	11	27	9	4624
24	21	16	16	23	2.5	3.5	9.5	3.5	4846

[<< Back to all TYPES](#)

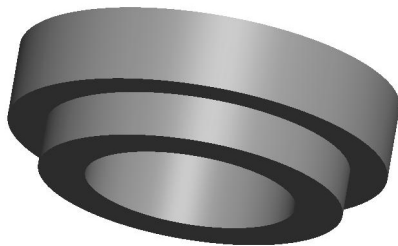
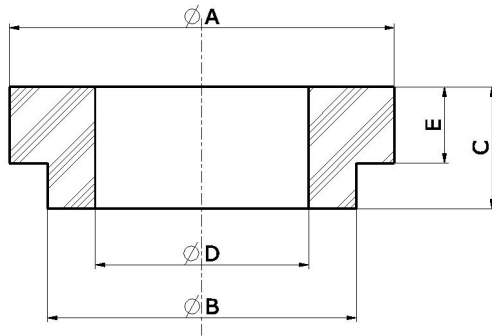
TYPE 7



A	B	C	D	E	F	SAPAT Code
8	5.8	1	4	4	1.5	4706
11	7.8	2.5	4.5	6.5	1.5	3674
15	10	5	25	5	3.5	3331
15	11	9.5	5.5	7	1	3308

[<< Back to all TYPES](#)

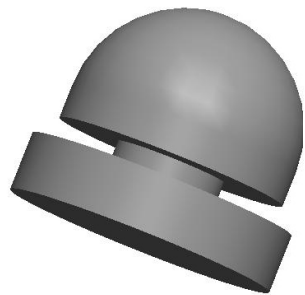
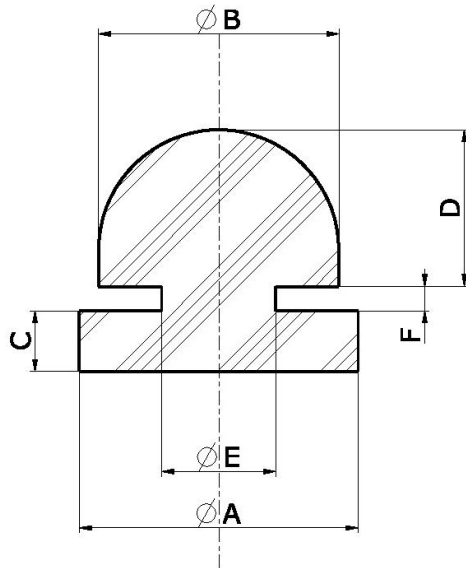
TYPE 8



A	B	C	D	E	SAPAT Code
20	16	5	8	2	2811
20	16	10	10	5	4978
20	16	14	8	10	3387
80	60	52	20	27	7472
80	60	78	30	40	7475

[<< Back to all TYPES](#)

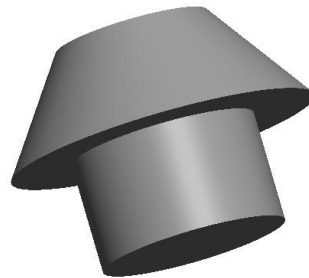
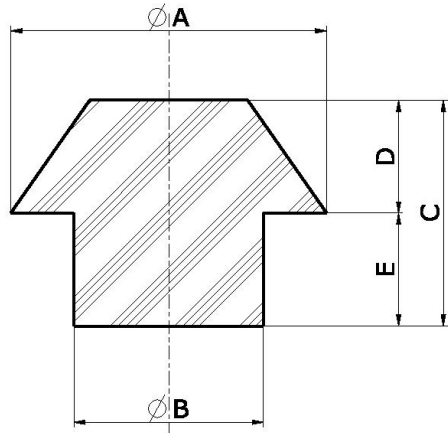
TYPE 9



A	B	C	D	E	F	SAPAT Code
8	10	1.5	4	5	3	3250
10	7	3.5	4	5.3	2	1074
11.5	8	5	5.5	6.5	1.5	3489
12	9	2.5	4	7	2	4432
12	10	2.5	6	9	2	7424
12	10.5	2.5	4.5	7.5	1.5	7407

<< Back to all TYPES

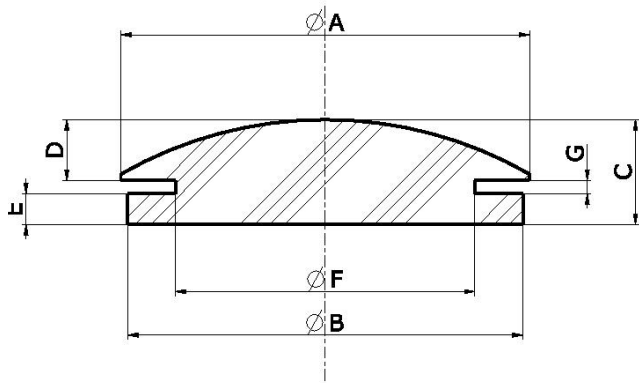
TYPE 10



A	B	C	D	E	SAPAT Code
8	5.5	8	2.5	5.5	1784
8.5	5	6.5	2	4.5	2115
9	5	13.5	4	9.5	3563
9	5	10.5	3.5	7	1836
9	4	10	3.5	6.5	1008
13.5	7.2	22.5	13	9.5	4741
14	8	11.5	1.5	10	1680
15.5	10	18	8	10	1508
15.5	8	12.5	5.5	7	1047
16	10	28	8	20	2718
16	14	13	9	4	25
17	8	19	9	10	7316
19	9	18.5	9	9.5	3715
20	8	18	9	9	3883
20	10	17	8.5	8.5	3962
23	12	20.5	10	10.5	376
25	18.5	34	10	24	1491
28	14	23	10	13	4987
30	20	31	11	20	7063

<< Back to all TYPES

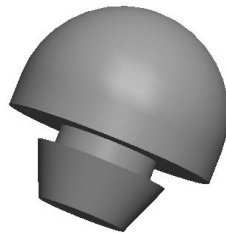
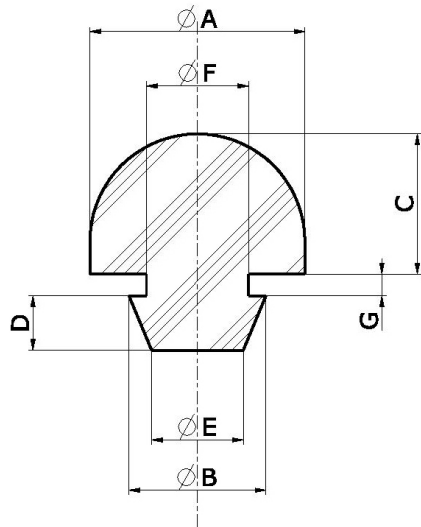
TYPE 11



A	B	C	D	E	F	G	SAPAT Code
28	26	7.5	2.5	2	21	3	2645
30	35	10.5	1.5	7	25	2	2024

[<< Back to all TYPES](#)

TYPE 12

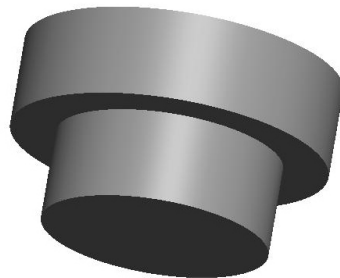
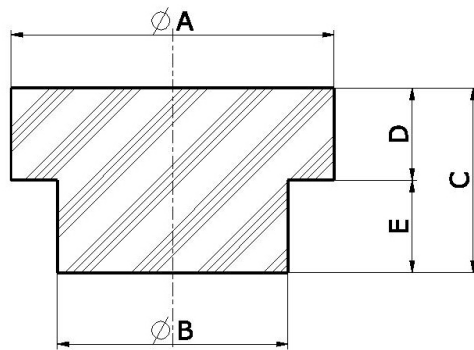


A	B	C	D	E	F	G	SAPAT Code
10	6	7	3	4.5	4.2	1	7162
14	22	7	14	16	10.5	1	4827
18	12	11	5.5	10	8.5	4.5	1237
20	10	12	3	7	7.5	2	990
20	11	7.5	2.5	8	10	16	3456
20	12	27	8	10	9	5	3917

<< Back to all TYPES

TYPE 13

See column "NOTE"

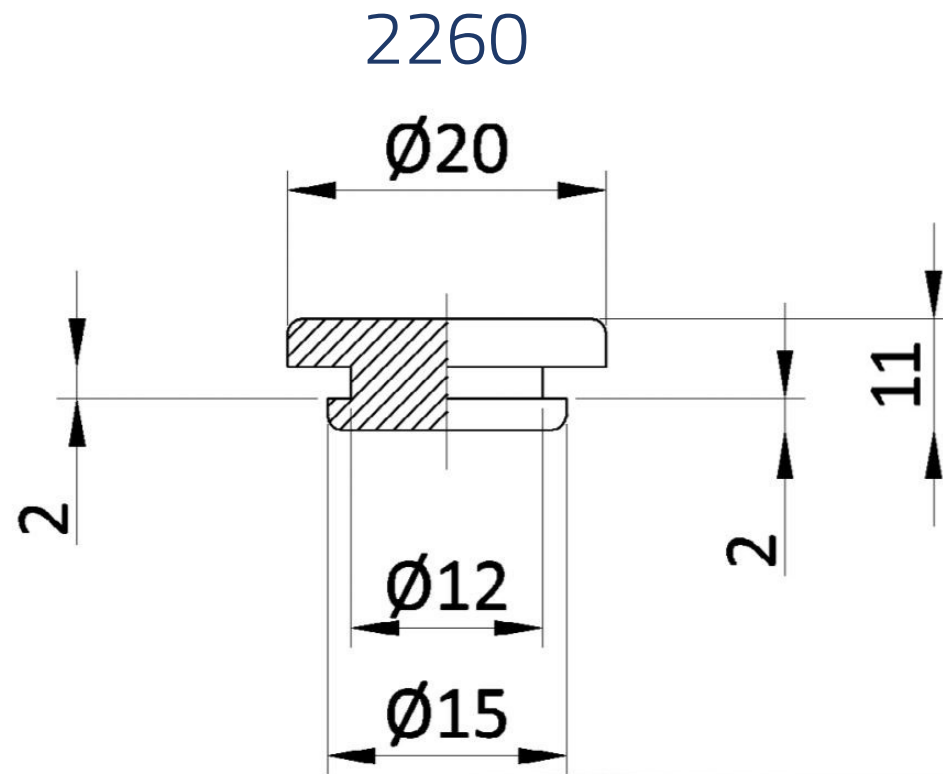


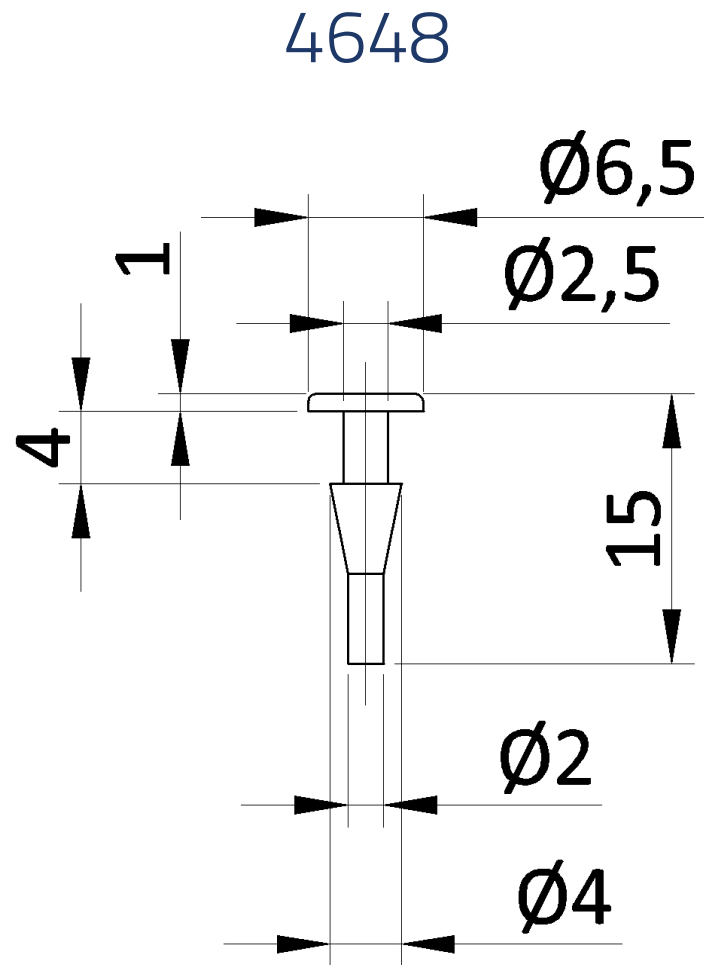
A	B	C	D	E	Note	SAPAT Code
39	30	11	6	5	Square plan	1897
30	23	31.5	9.5	22	Square plan	4764
(6 x 11)	11	10	2	7	Oval plan, h gorge 1mm	3761
(31 x 10)	25	30	29	27	Square plan	7308
26	22	17	25	23	Trapezoidal plan, Holed, \emptyset hole 5mm	7354

[<< Back to all TYPES](#)

TYPE 14: OTHER Plugs

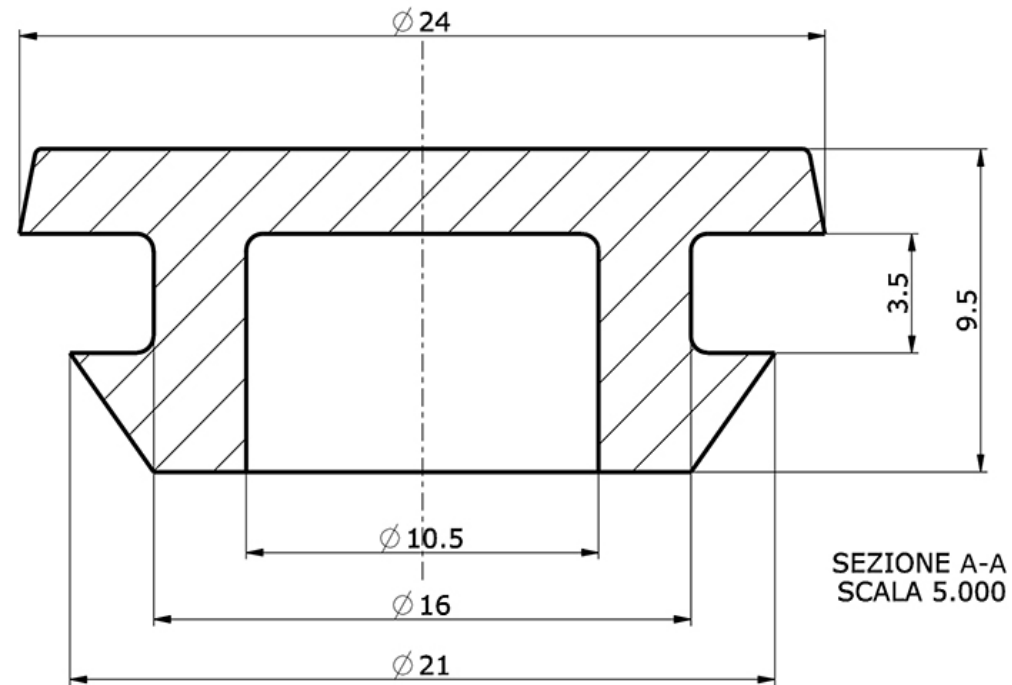
Scroll through the drawings that do not fit into the previous categories:

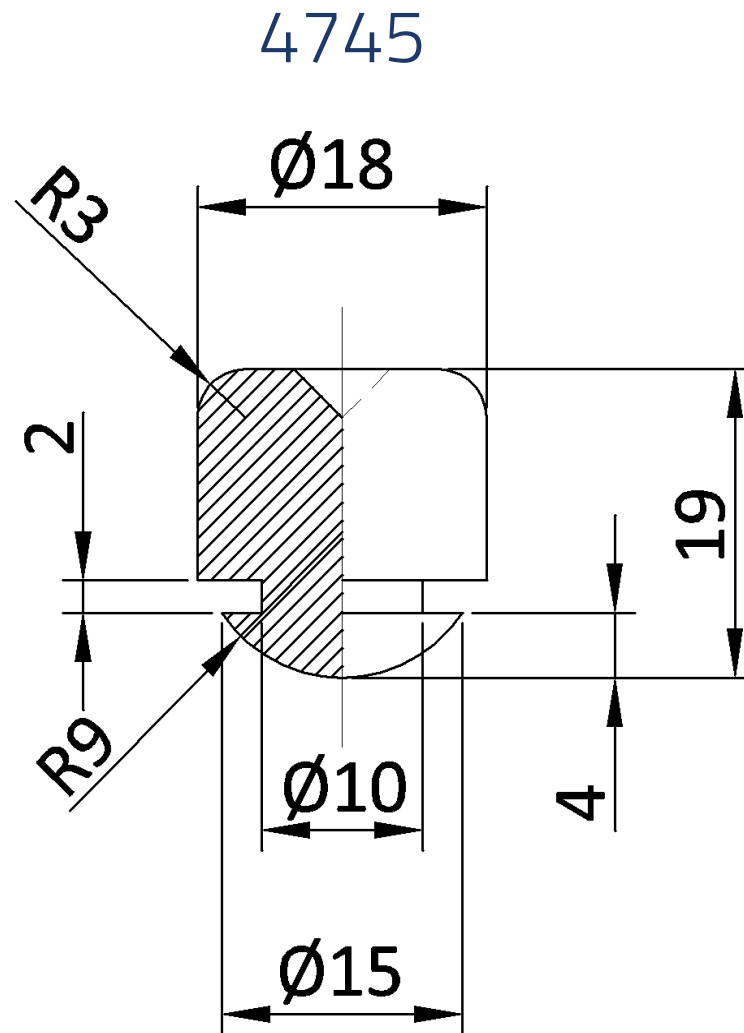


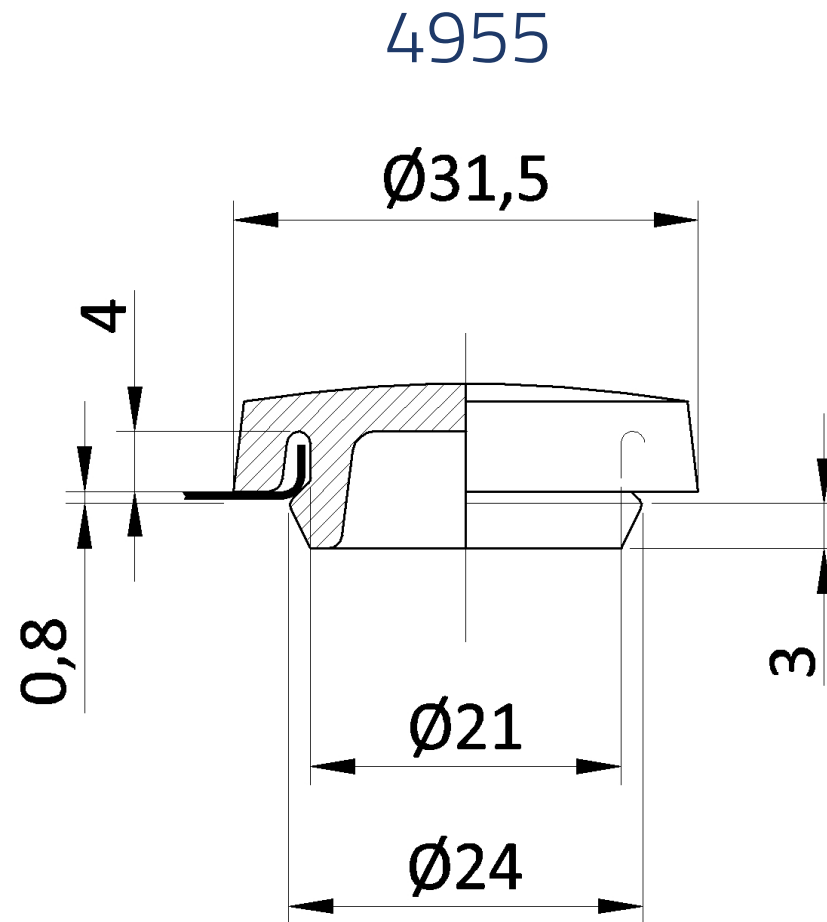
[<< Back to all TYPES](#)

<< Back to all TYPES

4846

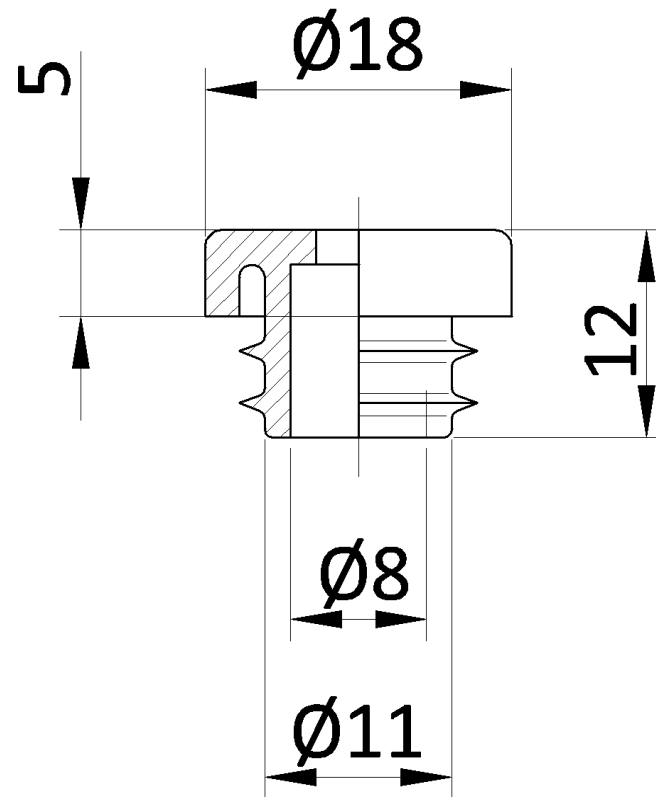


[<< Back to all TYPES](#)

[<< Back to all TYPES](#)

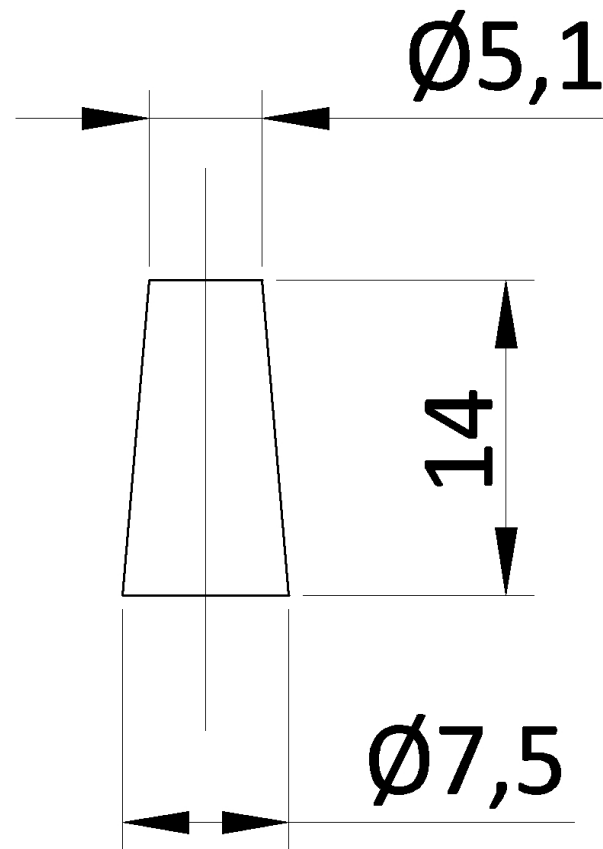
<< Back to all TYPES

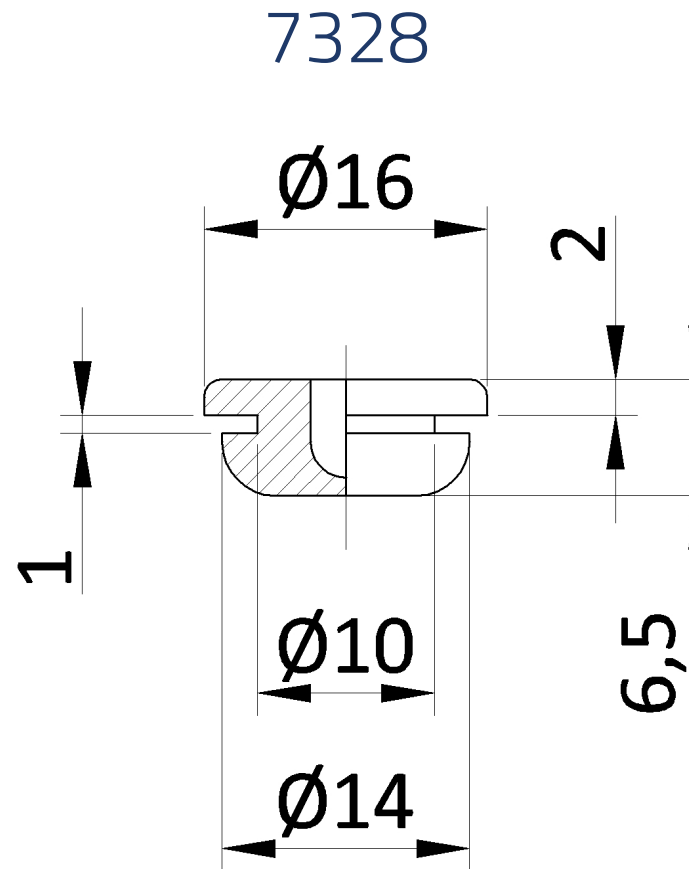
7193



[<< Back to all TYPES](#)

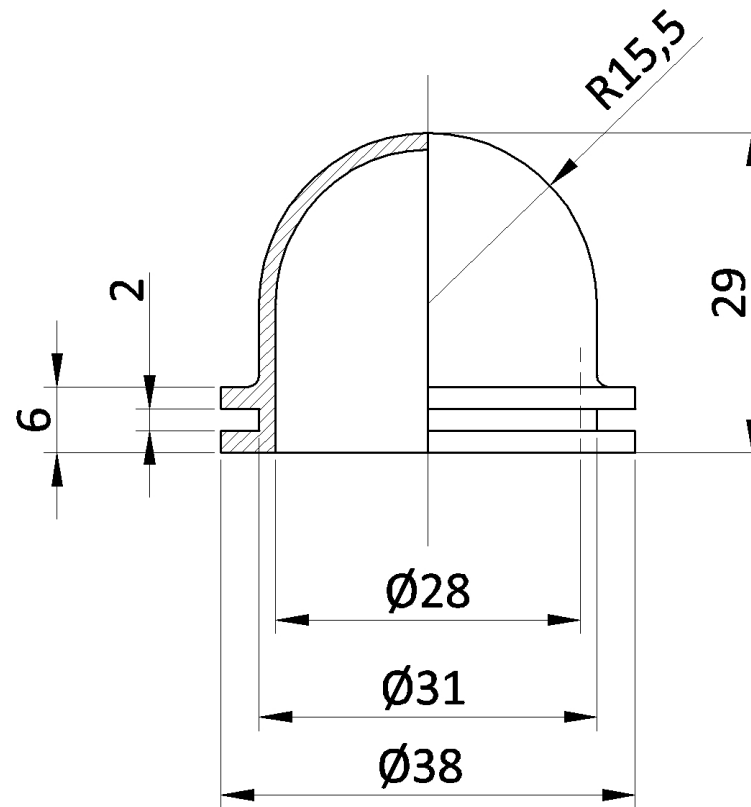
7269

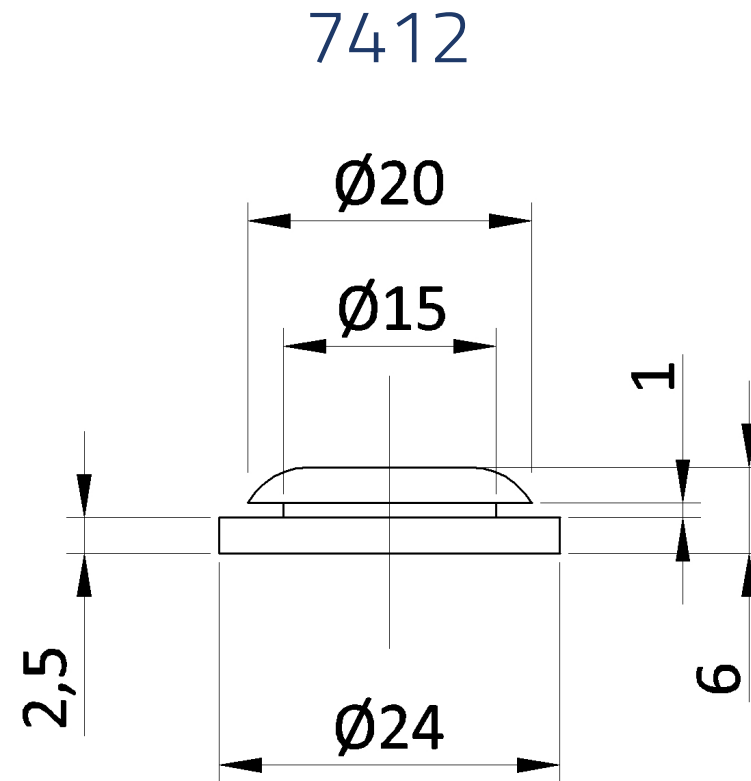


[<< Back to all TYPES](#)

[<< Back to all TYPES](#)

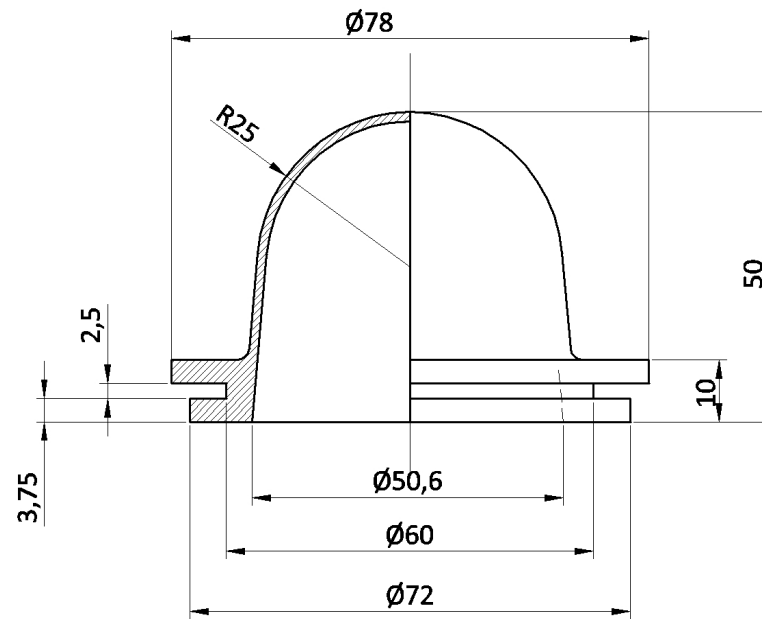
7409

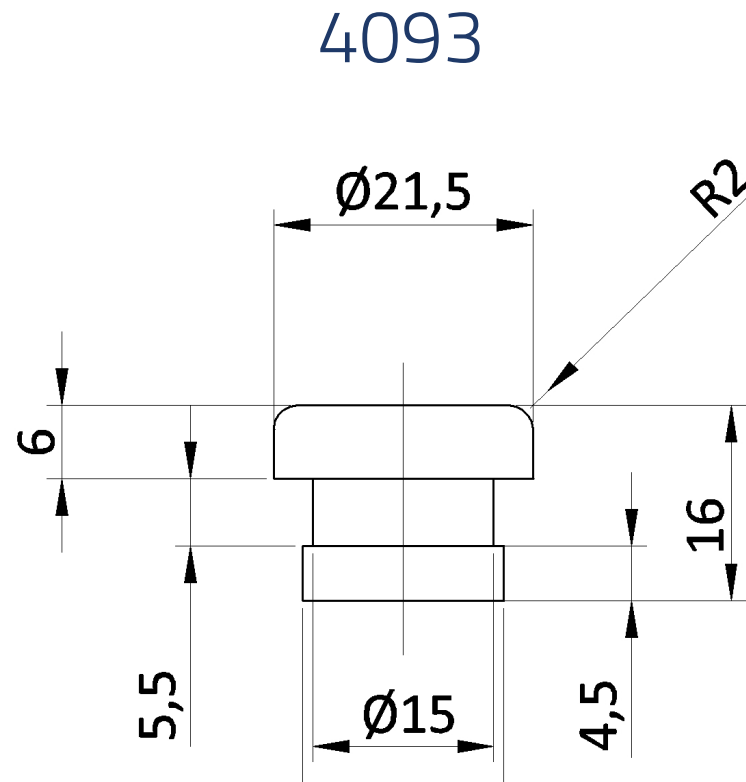


[<< Back to all TYPES](#)

[<< Back to all TYPES](#)

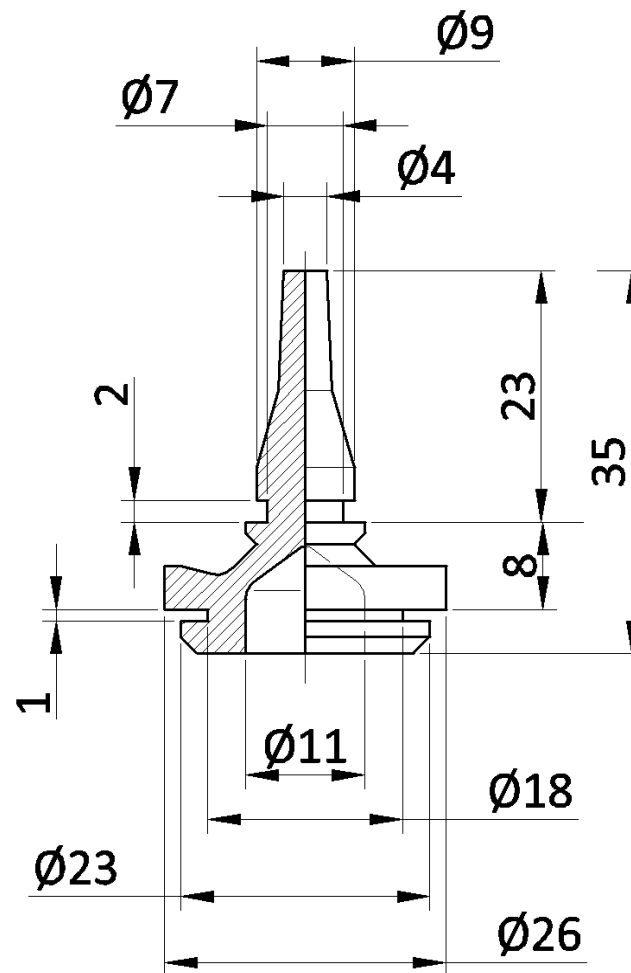
7588

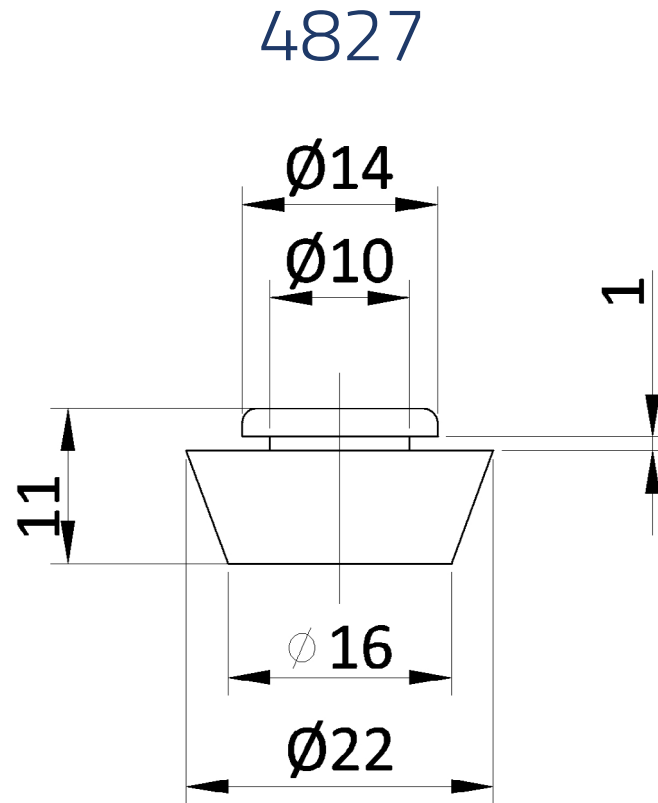


[<< Back to all TYPES](#)

[<< Back to all TYPES](#)

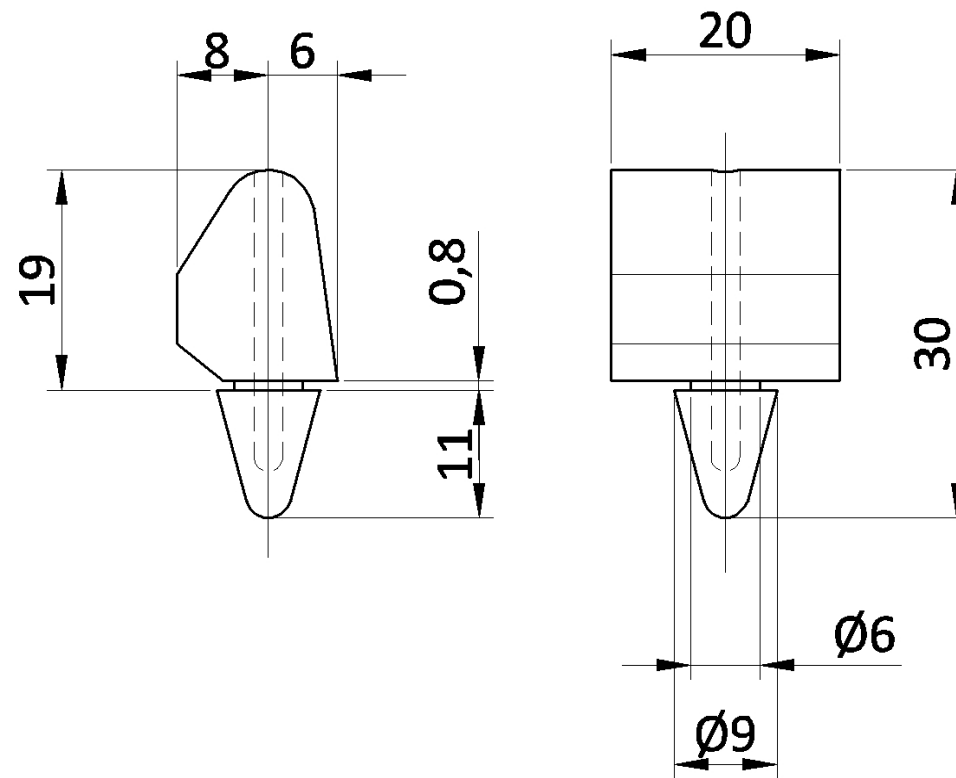
7357

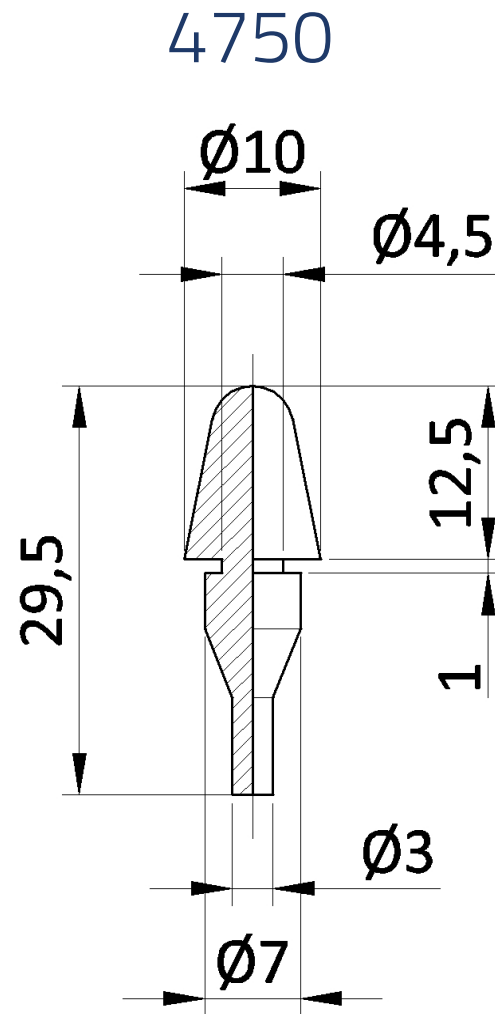


[<< Back to all TYPES](#)

[<< Back to all TYPES](#)

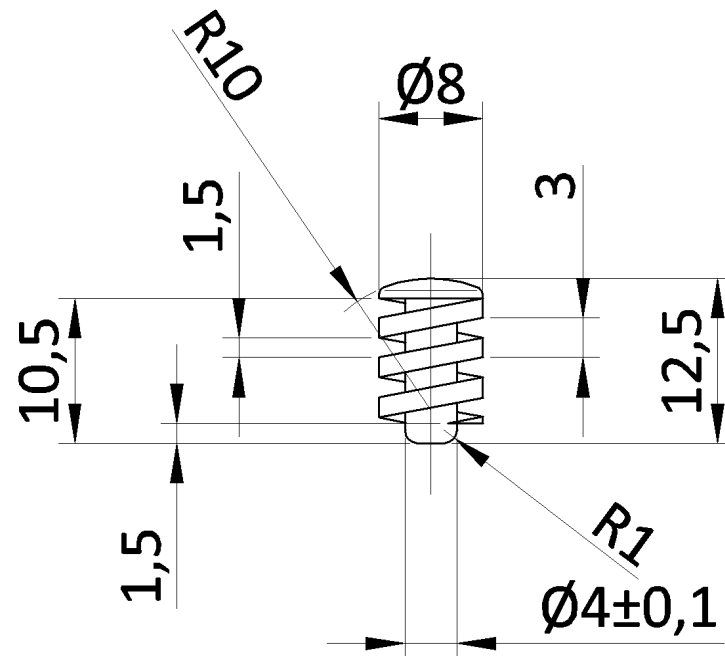
4287



[<< Back to all TYPES](#)

[<< Back to all TYPES](#)

7199

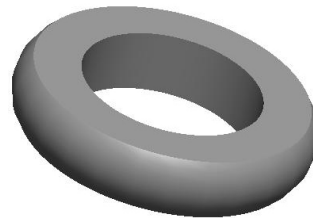
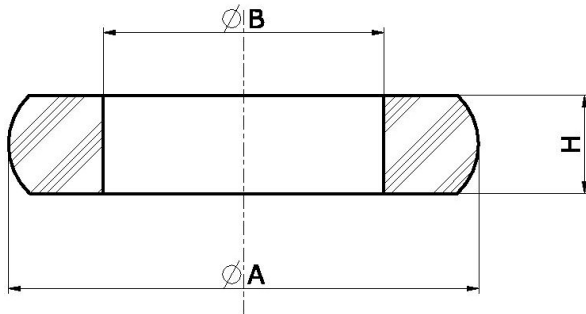




O-rings for brakes

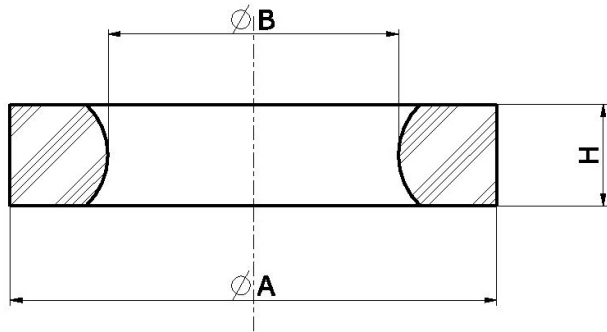


Refer to the table below, ordered by increasing values of the outer diameter (Measure "A").

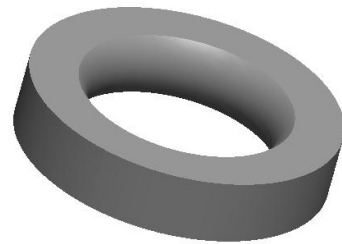


A	B	H	SAPAT Code
14.3	8	4	5181
16.15	8.7	3.5	5335
17.95	11	3.5	5423
19.5	11	4	5403
20.2	14.7	3.45	5208
20.74	11	4	5547
20.8	10.5	4	5564
21	13.5	4.5	5437
21	12.5	4.5	5436
22.2	14.5	5	5283
22.5	15	5	5597
24.3	16	5	5334
25.4	16	6	5371
27.45	16.85	6	5348
28	18.5	5	5163
29	19	6	1149
31.8	20	7	5038
31.8	23	6	5162
35.4	22.5	7	5501
38.45	24	8	5359
40.4	25	8	5502
40	29	5	5032
44.5	29	8	1144
51	33	9	5081/1
57	39	9	5082

Refer to the table below, ordered by increasing values of the outer diameter (Measure "A").



A	B	H	SAPAT Code
30	21	5	5033

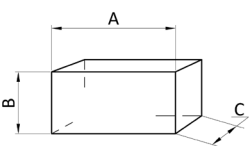
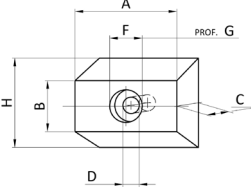
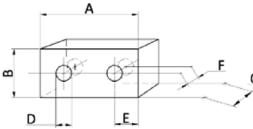
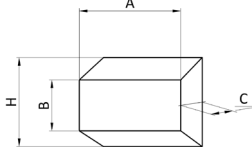
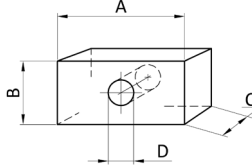
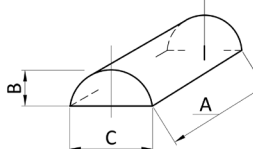
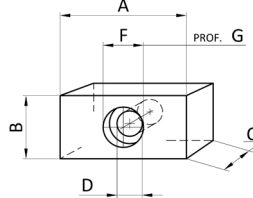
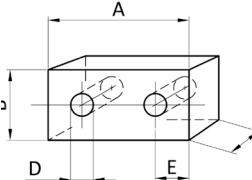
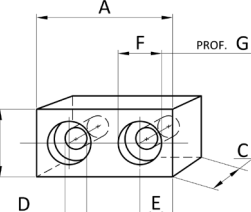
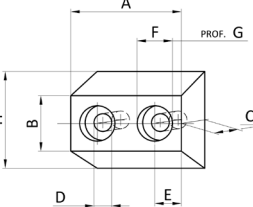
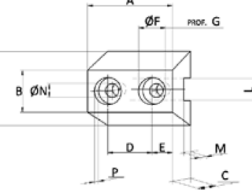
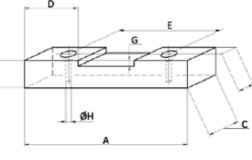
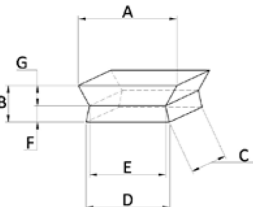
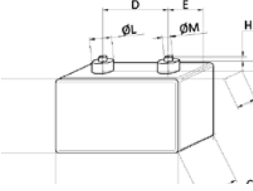
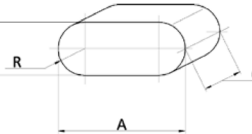
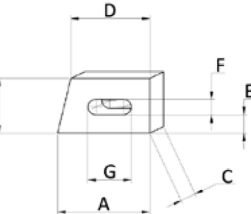
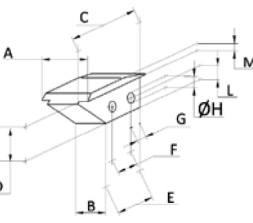
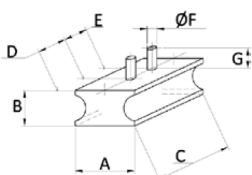
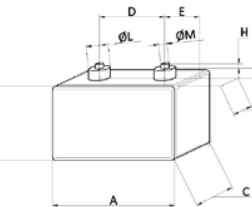
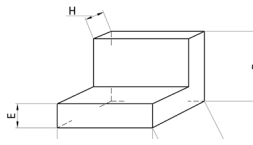
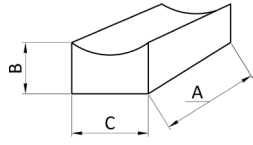




Pads

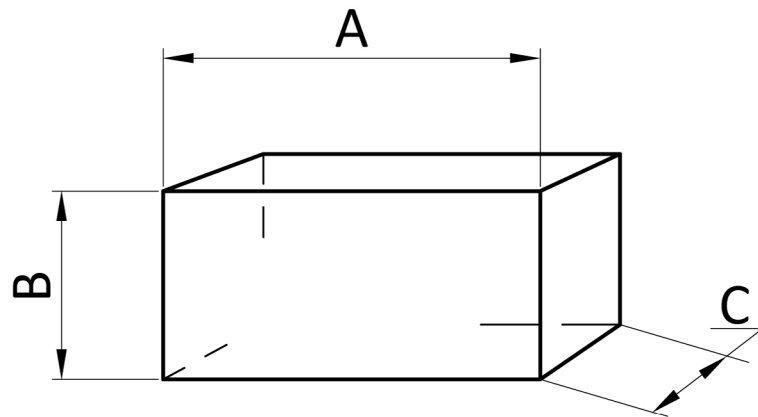


Click on the **profile** that suits your needs to access the table with quotations and the SAPAT codes.

<p style="text-align: center;">1</p> 	<p style="text-align: center;">2</p> 	<p style="text-align: center;">3</p> 	<p style="text-align: center;">4</p> 	<p style="text-align: center;">5</p> 	<p style="text-align: center;">6</p> 	<p style="text-align: center;">7</p> 
<p style="text-align: center;">8</p> 	<p style="text-align: center;">9</p> 	<p style="text-align: center;">10</p> 	<p style="text-align: center;">11</p> 	<p style="text-align: center;">12</p> 	<p style="text-align: center;">13</p> 	<p style="text-align: center;">14</p> 
<p style="text-align: center;">15</p> 	<p style="text-align: center;">16</p> 	<p style="text-align: center;">17</p> 	<p style="text-align: center;">18</p> 	<p style="text-align: center;">19</p> 	<p style="text-align: center;">20</p> 	<p style="text-align: center;">21</p> 

<< Back to all TYPES

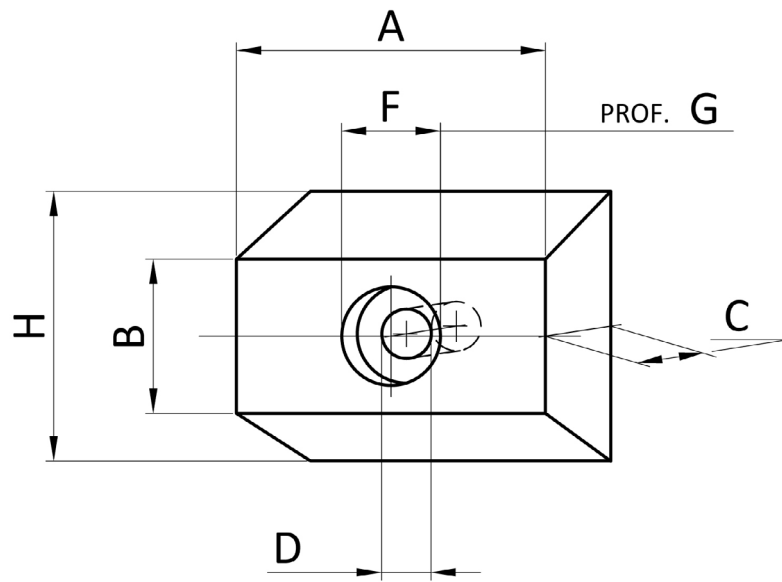
TYPE 1



A	B	C	SAPAT Code
38	28	20	2432
70	22	20	2837
32	20	16	2838
59	41	22	2899
24	14	4	3156
30	20	12	3628
61	40	24.5	4025
63	46.5	24	4137

<< Back to all TYPES

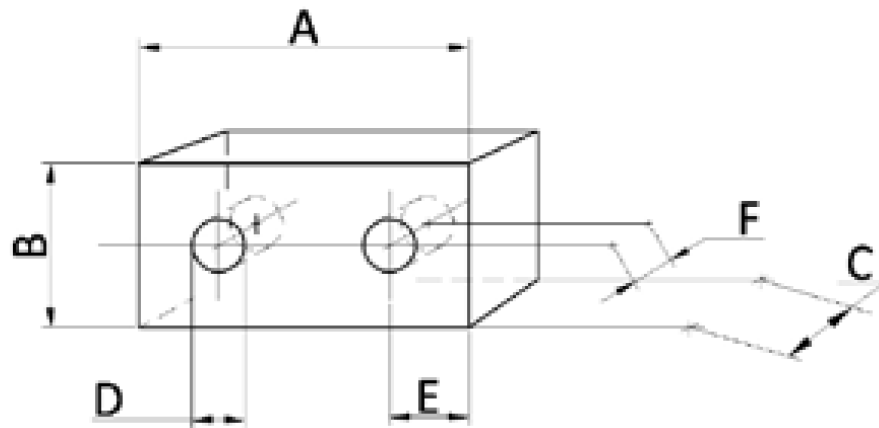
TYPE 2



A	B	C	D	E	F	SAPAT Code
34.5	23	10	5	5	25.5	2642
33	22	10	5	5	24	2924
34	22	15	5	5	25.5	3408

<< Back to all TYPES

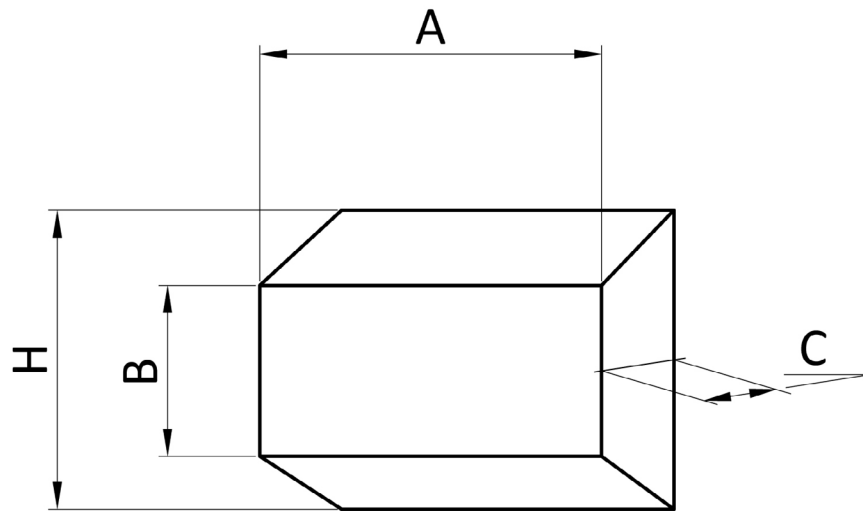
TYPE 3



A	B	C	D	F	SAPAT Code
101	59	45	10	10	2552
32.5	25	14	5	5	3947

<< Back to all TYPES

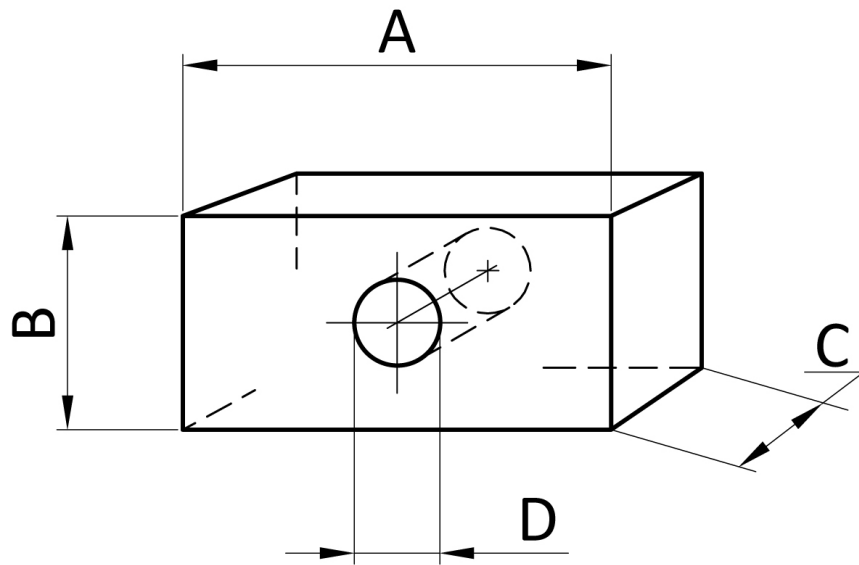
TYPE 4



A	B	C	H	SAPAT Code
75	45	47	57	2553

<< Back to all TYPES

TYPE 5

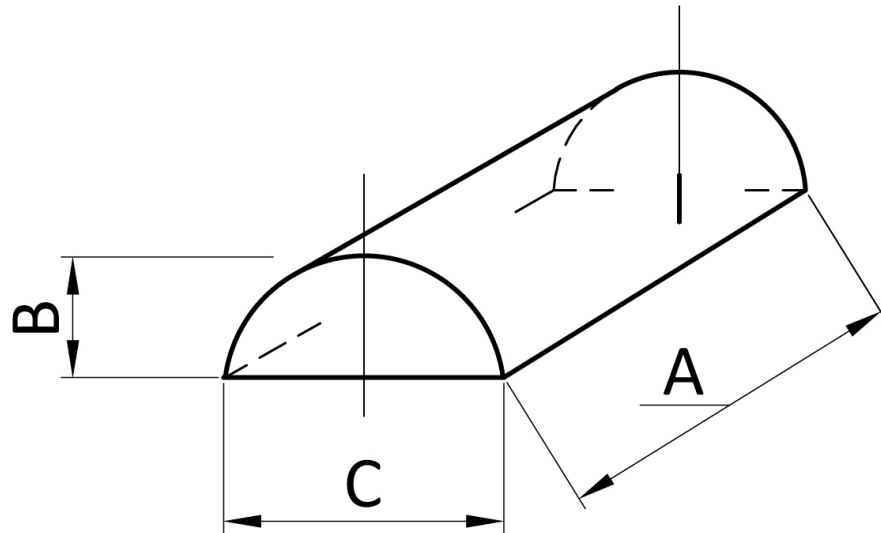


A	B	C	D	SAPAT Code
45	30	20	9.5	3583
46	34	18	14	2981

<< Back to all TYPES

TYPE 6

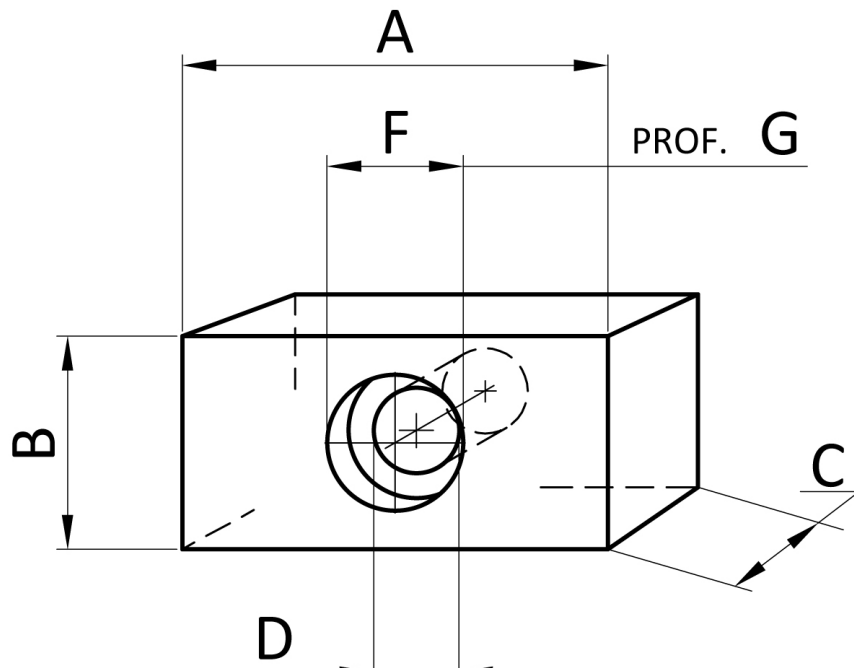
Pass-through hole



A	B	C	Hole diameter	SAPAT Code
25.5	8	11.5	5	3342

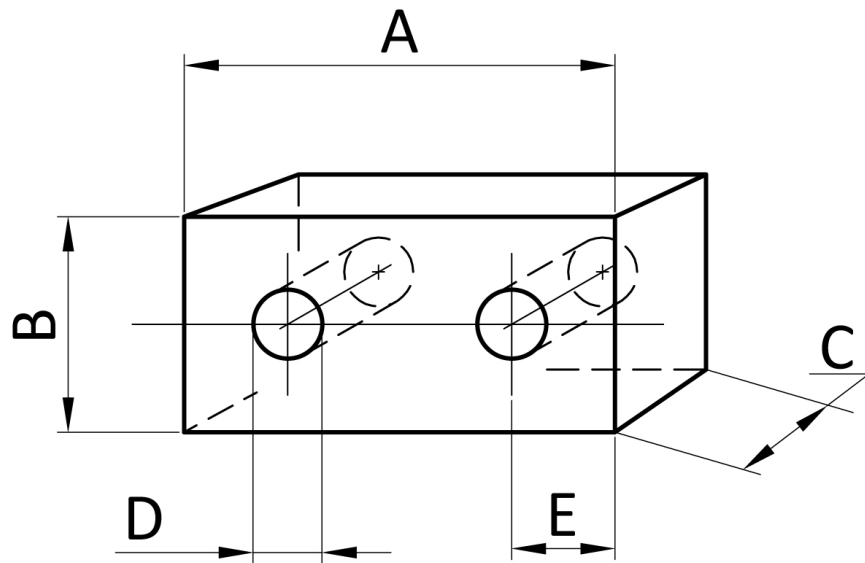
<< Back to all TYPES

TYPE 7



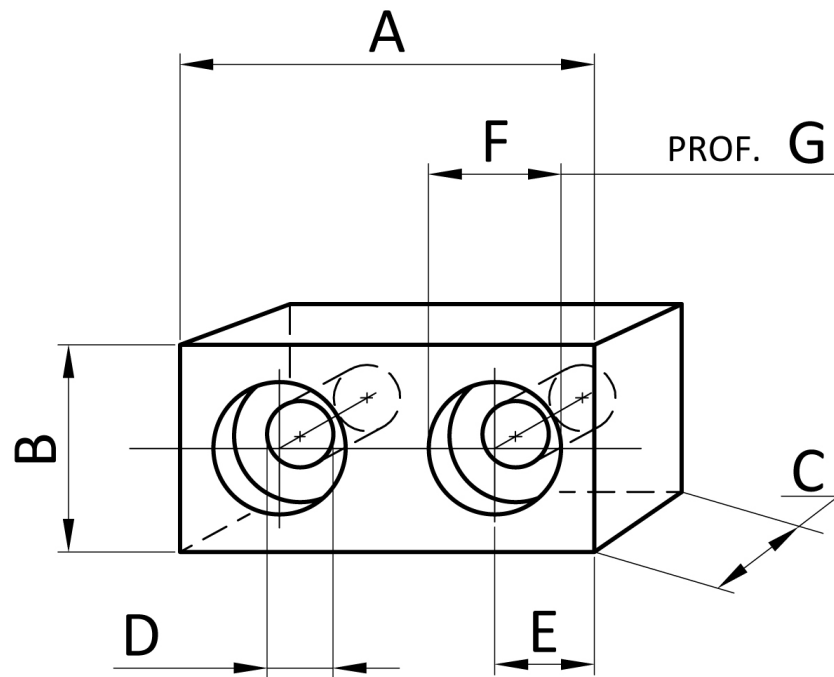
<< Back to all TYPES

TYPE 8



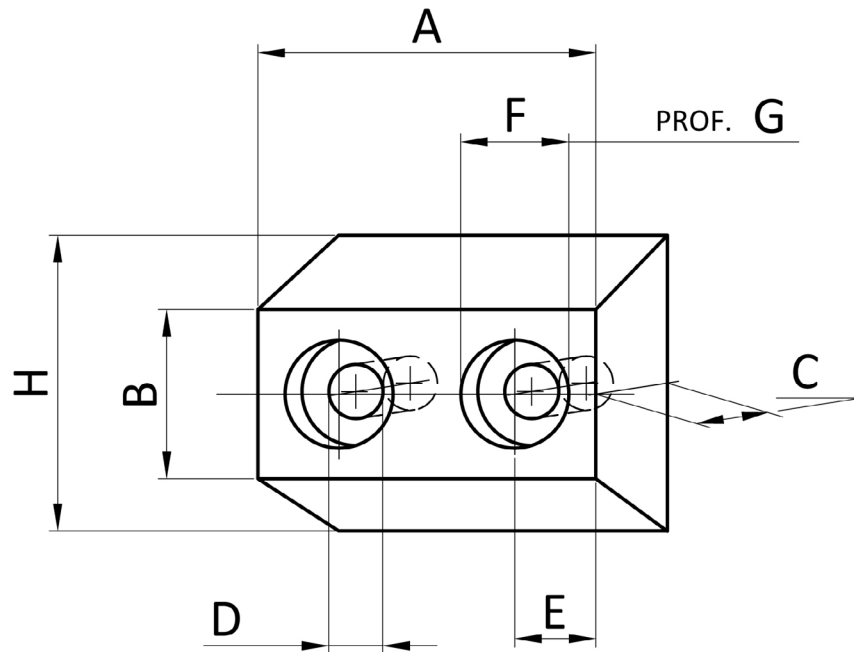
<< Back to all TYPES

TYPE 9



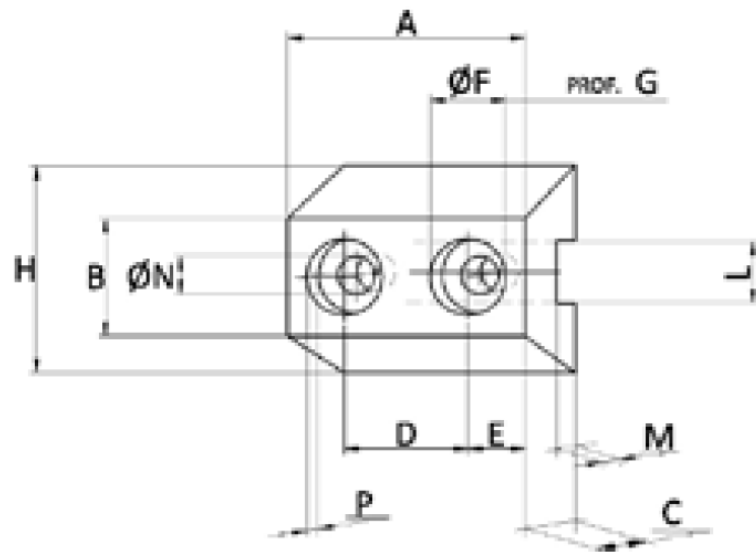
<< Back to all TYPES

TYPE 10



<< Back to all TYPES

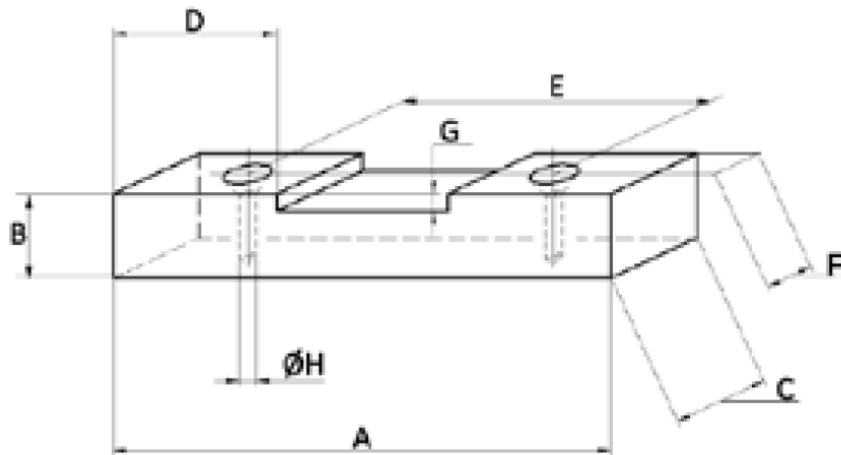
TYPE 11



A	B	C	D	E	Ø F	G	H	L	M	Ø N	SAPAT Code
40	13	15	20	10	9.5	4	30	10	5	5	1522

<< Back to all TYPES

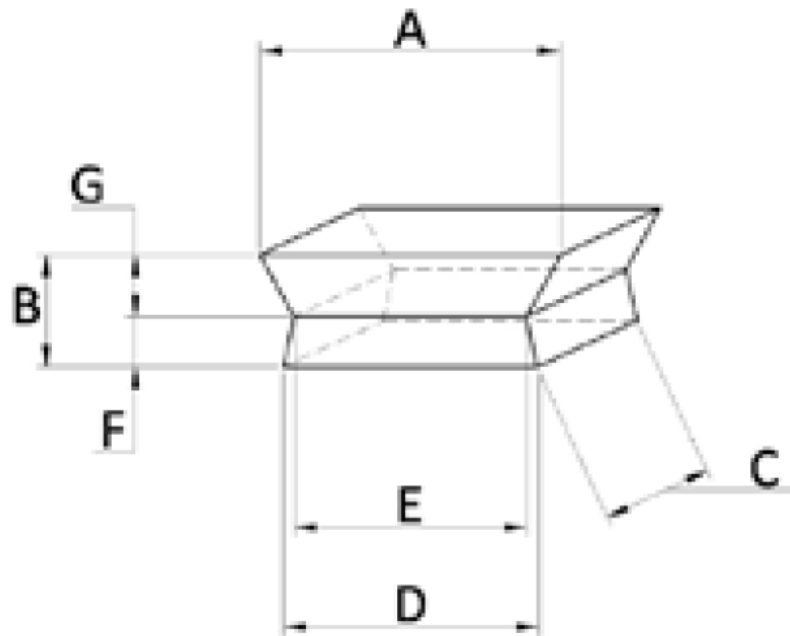
TYPE 12



A	B	C	D	E	F	G	Ø H	SAPAT Code
119	20	30	40	70	15	4	5.5	2051

<< Back to all TYPES

TYPE 13

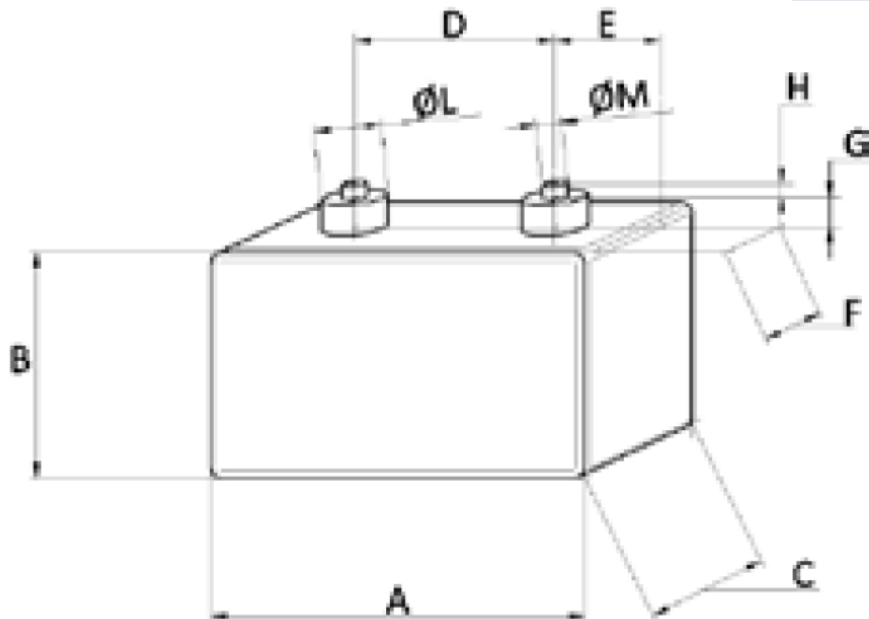


A	B	C	D	E	F	G	SAPAT Code
41.5	15.5	27	35	32	7	8.5	2407

<< Back to all TYPES

TYPE 14

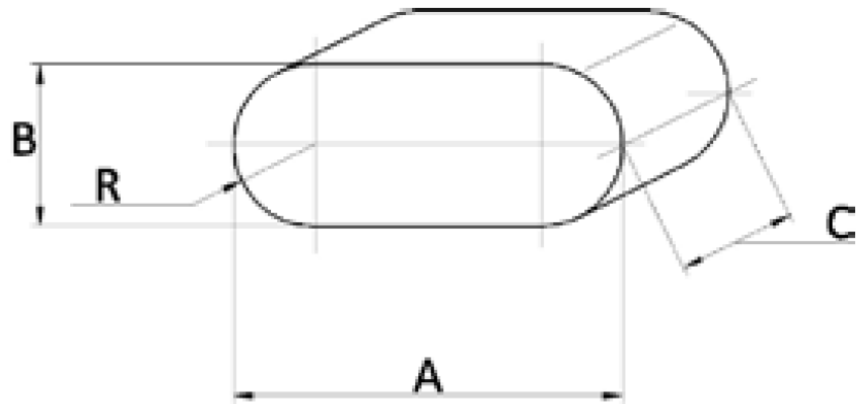
A	B	C	D	E	F	G	H	Ø L	Ø M	SAPAT Code
39	44	73	26	10	19.5	6	2.5	13	5	2551



<< Back to all TYPES

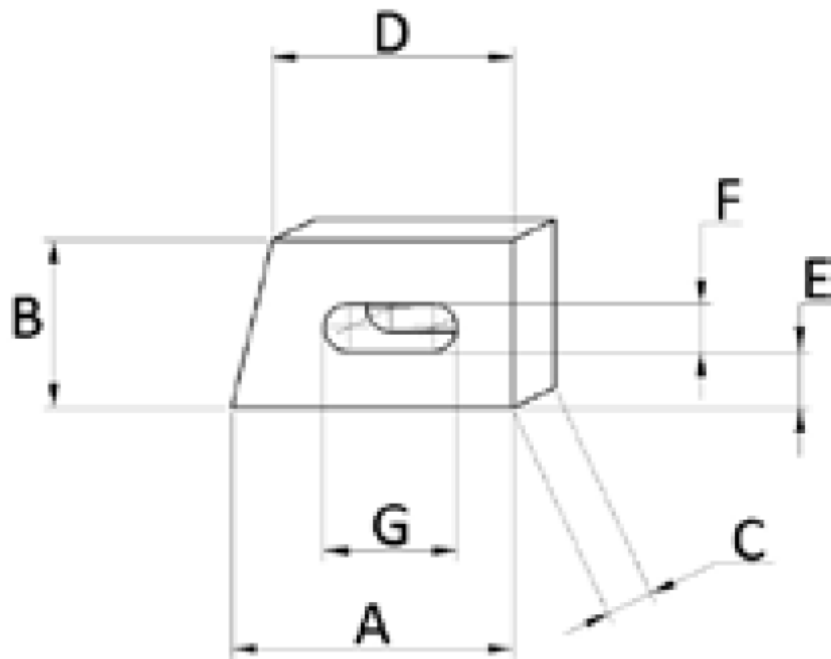
TYPE 15

A	B	C	R	SAPAT Code
60	25	45	12.5	3067



<< Back to all TYPES

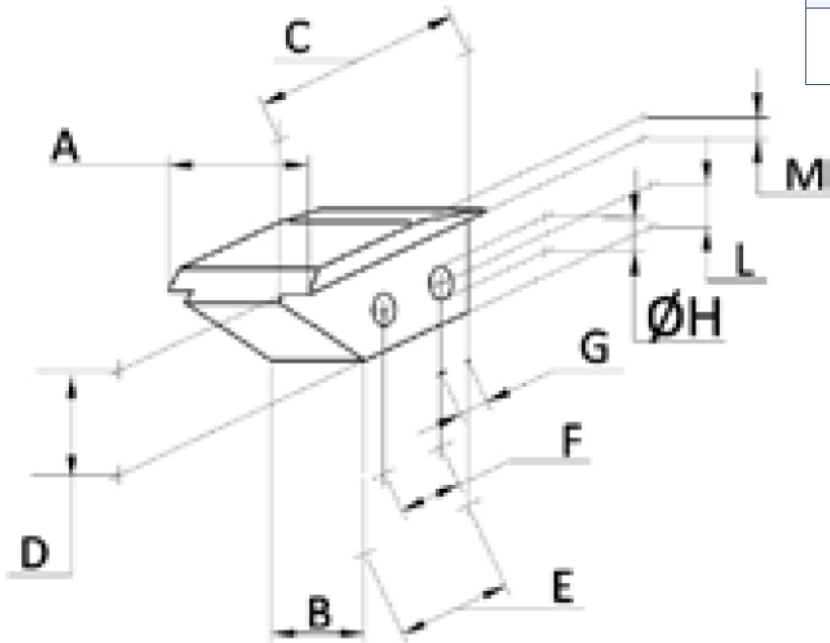
TYPE 16



A	B	C	D	E	F	G	SAPAT Code
35	21	13.8	30	7.5	6	16.5	3434

<< Back to all TYPES

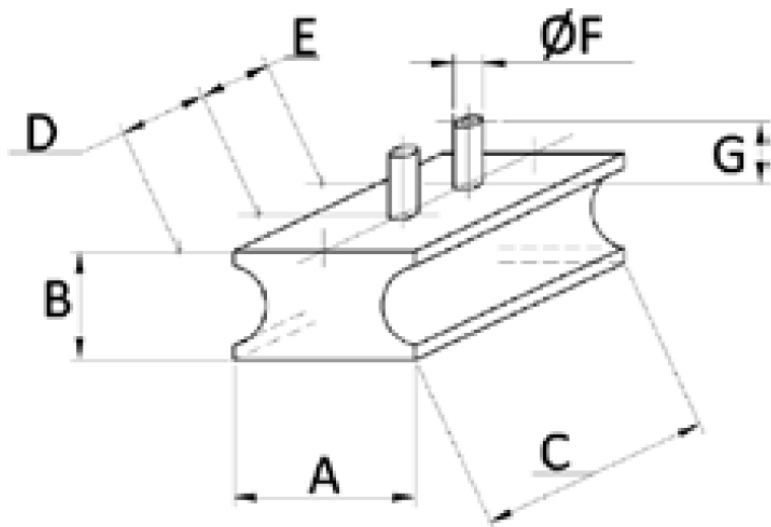
TYPE 17



A	B	C	D	E	F	G	Ø H	L	M	SAPAT Code
19	12	35	12.5	24	12.5	7.5	4.5	7.5	4.5	3814

<< Back to all TYPES

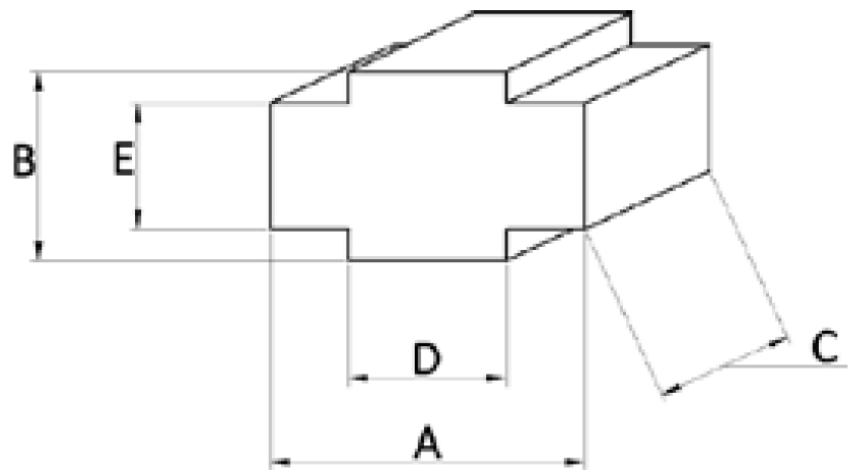
TYPE 18



A	B	C	D	E	Ø F	G	SAPAT Code
25	15	73.5	21	19.5	6	12.5	4231

<< Back to all TYPES

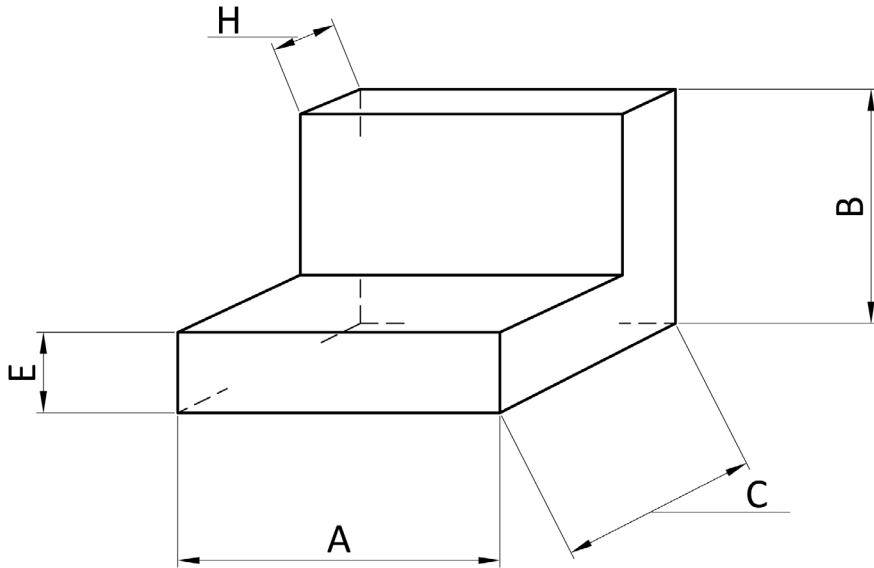
TYPE 19



A	B	C	D	E	SAPAT Code
50	25	30	18	20	3068

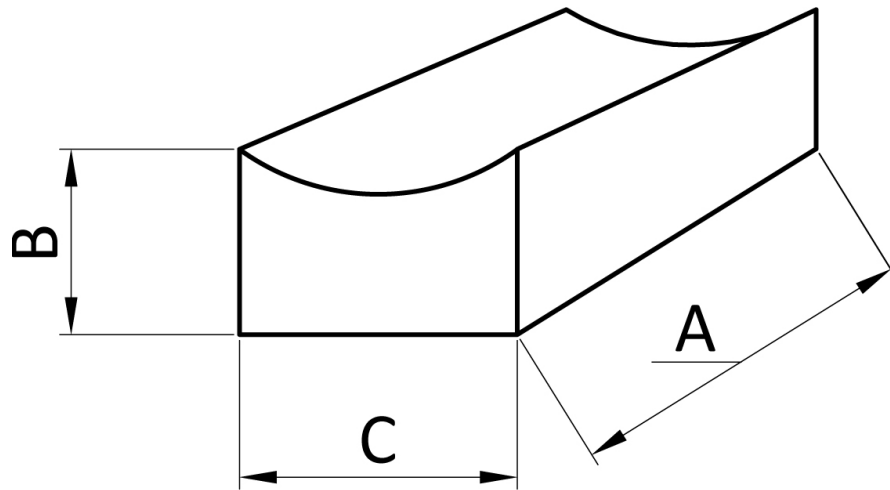
<< Back to all TYPES

TYPE 20



<< Back to all TYPES

TYPE 21

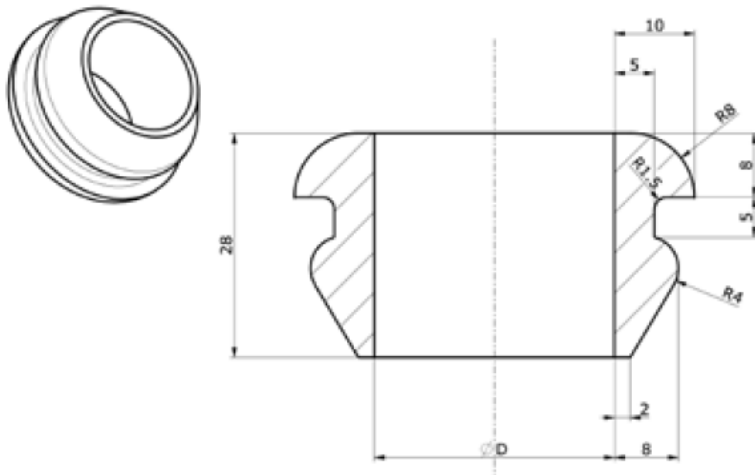




Bushes

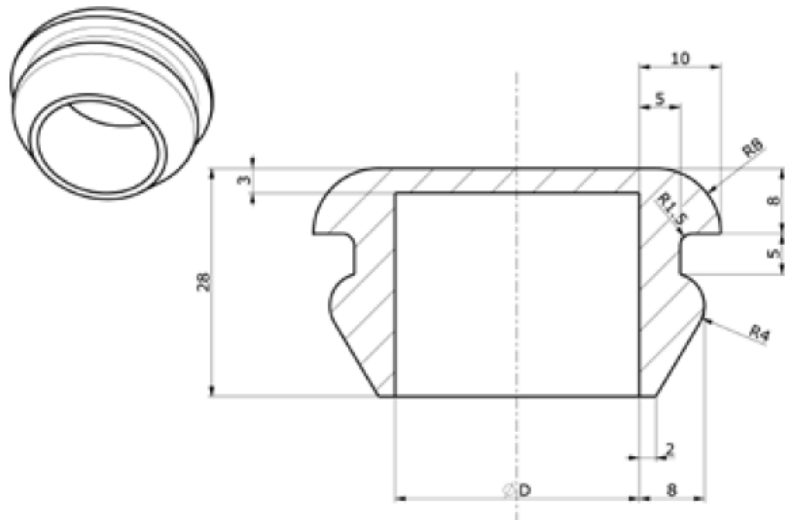


TYPE 1



$\varnothing D$	SAPAT Code
12	4575
20	4813
25	4332
40	4812

TYPE 2



Ø D	SAPAT Code



Via Palazzetto 13, 10079 Mappano (TO)

+39 011 779 0617

info@sapat.it

www.sapat.it