



# sapat

Production of rubber and silicone items since 1942

**CATALOGUE 2024**



TECHNICAL **RUBBER** PRODUCTS:  
A STORY RENEWED OVER TIME

**Sapat**, a company based in Turin and active since 1942, manufactures products and technical parts in rubber and silicone for the automotive, earthmoving equipment, tractor, forklift truck, pneumatic, hydraulic, food, filter, electronic and design sectors.

#### **Certified, high-quality raw materials**

The products made by Sapat according to drawing follow customers' precise design specifications, ensuring high-quality performance thanks to the company's high level of specialisation and versatility.

The materials used - mainly NR, NBR, HNBR, SBR, NEOPRENE, EPDM, VITON and SILICONE - are sourced from certified companies specialized according to the product type.

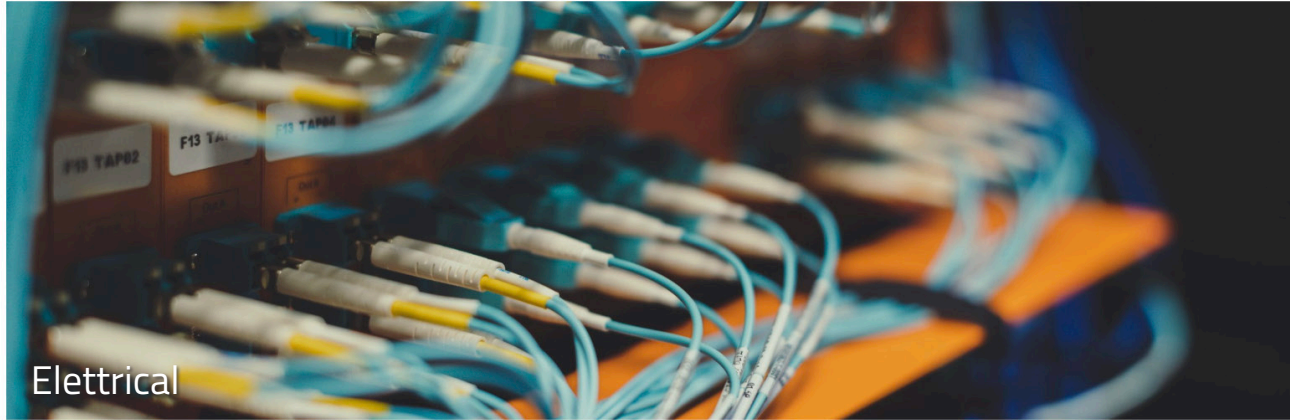
The high-quality rubber components manufactured by Sapat provide maximum sealing, resistance, and durability for the customer.

#### **Quality Certification**

Sapat's manufacturing process was certified in 2001 with the approval of the Quality Management System according to the UNI EN ISO 9001:2015 standard, under Accredia registration number 2023-A.

Conformity checks, according to customer specifications, are carried out using the laboratory instruments within the company.

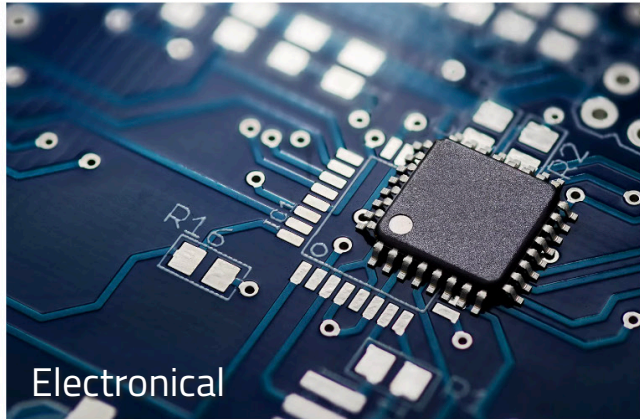
The high-quality standards, combined with the customisation of products and flexibility in terms of produced quantities and manufacturing times, have enabled Sapat to count among their customers several major companies in the automotive sector across Italy, Europe, and South America.



Electrical



Food & Beverage



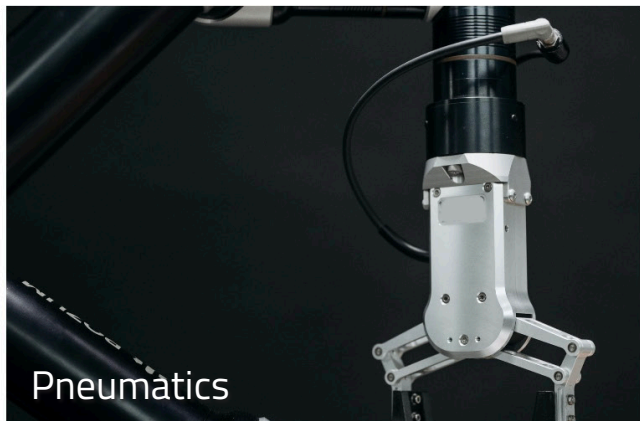
Electronical



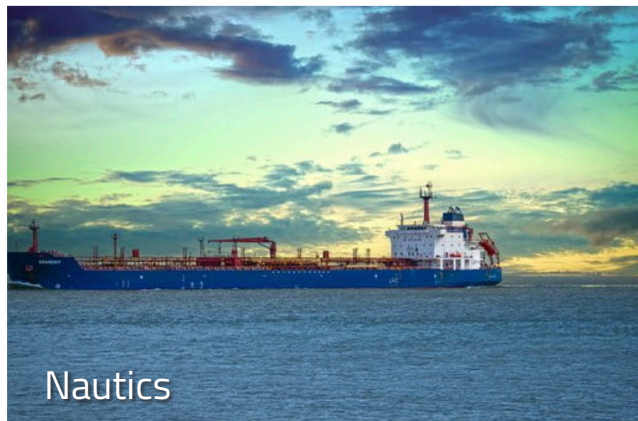
Earthmoving equipment



Automotive



Pneumatics



Nautics



Design

# Index

Double lip seals

Cup seals

Collar seals

Caps

Connections & Junctions

O-Rings

Convex sleeves

Bumpers

Square O-rings and washers

Grommets

Special Grommets | Cases

Bellows

Plugs

O-rings for brakes

Pads

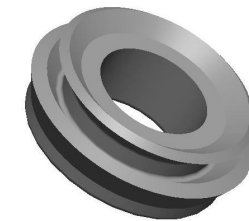
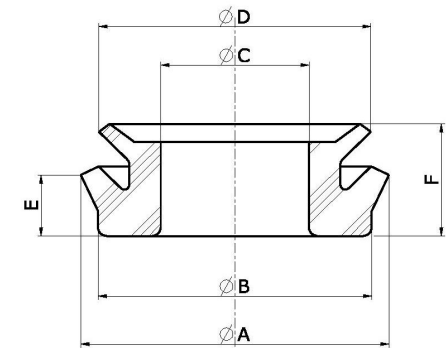
Bushes



Double lip seals



| A     | B    | C     | D     | E   | F    | SAPAT Code |
|-------|------|-------|-------|-----|------|------------|
| 17.2  | 15.3 | 8.6   | 14.6  | 2.8 | 6.2  | 5372       |
| 18.7  | 16.6 | 9     | 16.5  | 3.7 | 6.8  | 5551       |
| 20    | 18.2 | 10.8  | 17    | 3.9 | 6.8  | 5240       |
| 21    | 20   | 12    | 18.5  | 4.4 | 6.8  | 5380       |
| 22    | 19.5 | 11.5  | 18.2  | 4   | 6.6  | 5494       |
| 22.8  | 21   | 11.5  | 11.9  | 4.3 | 5.3  | 5549/1     |
| 23.2  | 21.5 | 13.5  | 19.8  | 4.3 | 6.8  | 5518       |
| 25.2  | 23   | 15.5  | 21.5  | 4.6 | 6.6  | 5474       |
| 26.4  | 24.7 | 16.4  | 22.5  | 4   | 8    | 5538       |
| 26.7  | 24.8 | 16.6  | 23.1  | 4.6 | 6.9  | 5228       |
| 28    | 25.4 | 17    | 24.5  | 4.7 | 7.4  | 5047       |
| 30    | 28.3 | 16.3  | 22    | 7.2 | 8.1  | 5475       |
| 33.3  | 31   | 21.5  | 29.5  | 4.5 | 7.8  | 5311       |
| 36.05 | 34   | 24.75 | 31.75 | 5   | 8    | 5346       |
| 39.4  | 36.4 | 27.4  | 36.9  | -   | 8.3  | 5562       |
| 43    | -    | 28.6  | -     | 6   | 10.5 | 5467       |
| 45.8  | 43.4 | 31.3  | 40.3  | 6.3 | 10.4 | 5378       |
| 53.8  | 50   | 38    | 45.6  | 7   | 10.5 | 5338       |



Cup seals

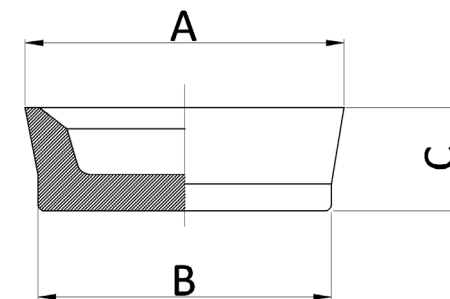




## Cup seals

| NOMINAL Ø |       | SAPAT Code | A      | B      | C    |
|-----------|-------|------------|--------|--------|------|
| 9/16"     | 14,28 | 5174       | Ø 15,4 | Ø 13,7 | 6,5  |
| 5/8"      | 15,87 | 5470       | Ø 17,7 | Ø 15,5 | 7,3  |
| 11/16"    | 17,46 | 5469       | Ø 19,1 | Ø 16,8 | 7,1  |
| 3/4"      | 19,05 | 5557       | Ø 20,8 | Ø 18,7 | 7,2  |
| 13/16"    | 20,63 | 5529       | Ø 21,8 | Ø 20   | 8    |
| 7/8"      | 22,22 | 5510       | Ø 23,8 | Ø 21,7 | 7,8  |
| 15/16"    | 23,81 | 5358       | Ø 25,4 | Ø 23,2 | 7,5  |
| 1"        | 25,4  | 5541       | Ø 26,7 | Ø 24,8 | 8    |
| 1 1/16"   | 26,98 | 5312       | Ø 28,5 | Ø 26,5 | 7,6  |
| 1 3/32"   | 27,78 | 5491       | Ø 29   | Ø 27,2 | 8    |
| 1 1/8"    | 28,57 | 5336       | Ø 30,4 | Ø 28,2 | 7,8  |
| 1 3/16"   | 30,16 | 5442       | Ø 31,6 | Ø 29,7 | 8    |
| 1 1/4"    | 31,76 | 5316       | Ø 33   | Ø 31   | 8,2  |
| 1 5/16"   | 33,33 | 5290       | Ø 34,4 | Ø 32,6 | 7,5  |
| 1 3/8"    | 34,92 | 5014       | Ø 36,5 | Ø 34,1 | 8,2  |
| 1 1/2"    | 38,1  | 5121       | Ø 39,5 | Ø 37,8 | 8,3  |
| 1 5/8"    | 41,27 | 5165       | Ø 42,5 | Ø 40,7 | 9,7  |
| 1 3/4"    | 44,45 | 5012       | Ø 46,6 | Ø 42,9 | 10   |
| 2"        | 50,8  | 5179       | Ø 53,3 | Ø 49,7 | 11   |
| 2"        | 50,8  | 5022       | Ø 53,5 | Ø 49,9 | 10   |
| 2 1/8"    | 53,97 | 5023       | Ø 57   | Ø 52,8 | 9,5  |
| 2 7/32"   | 56,75 | 5024       | Ø 59,1 | Ø 56   | 11,8 |
| 2 1/4"    | 57,1  | 5025       | Ø 60,8 | Ø 56,1 | 11,8 |
| 2 1/2"    | 63,05 | 5026       | Ø 66,3 | Ø 62,3 | 11,8 |

Consult the table ordered by increasing values of the outer diameter (Measure "A").



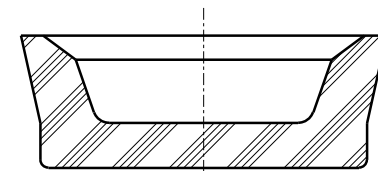
Discover DIFFERENT TYPES  
of cup seals

[HERE](#)

## TYPES OF CUP SEALS

Click on the SAPAT code or on the measure to view the quoted drawing.

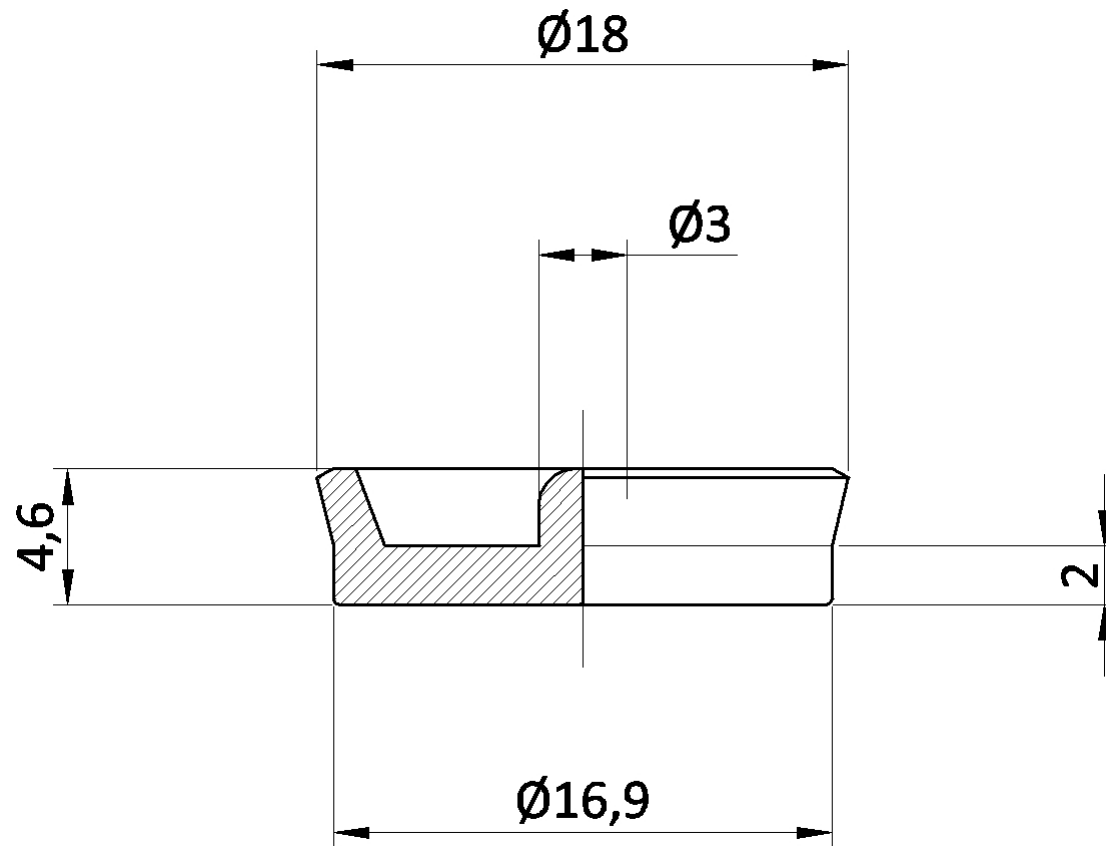
| OUTER Ø | SAPAT Code |
|---------|------------|
| 18      | 5356       |
| 19,8    | 5355       |
| 19,9    | 5153       |
| 20,2    | 5238       |
| 21,8    | 5156       |
| 23,3    | 5110       |
| 23,3    | 5124       |
| 26,5    | 5553       |
| 26,8    | 5525       |
| 30,4    | 5498       |
| 32,8    | 5289       |
| 45,6    | 5129       |
| 53,3    | 5043       |



Click on the first one in the list to browse all drawings.

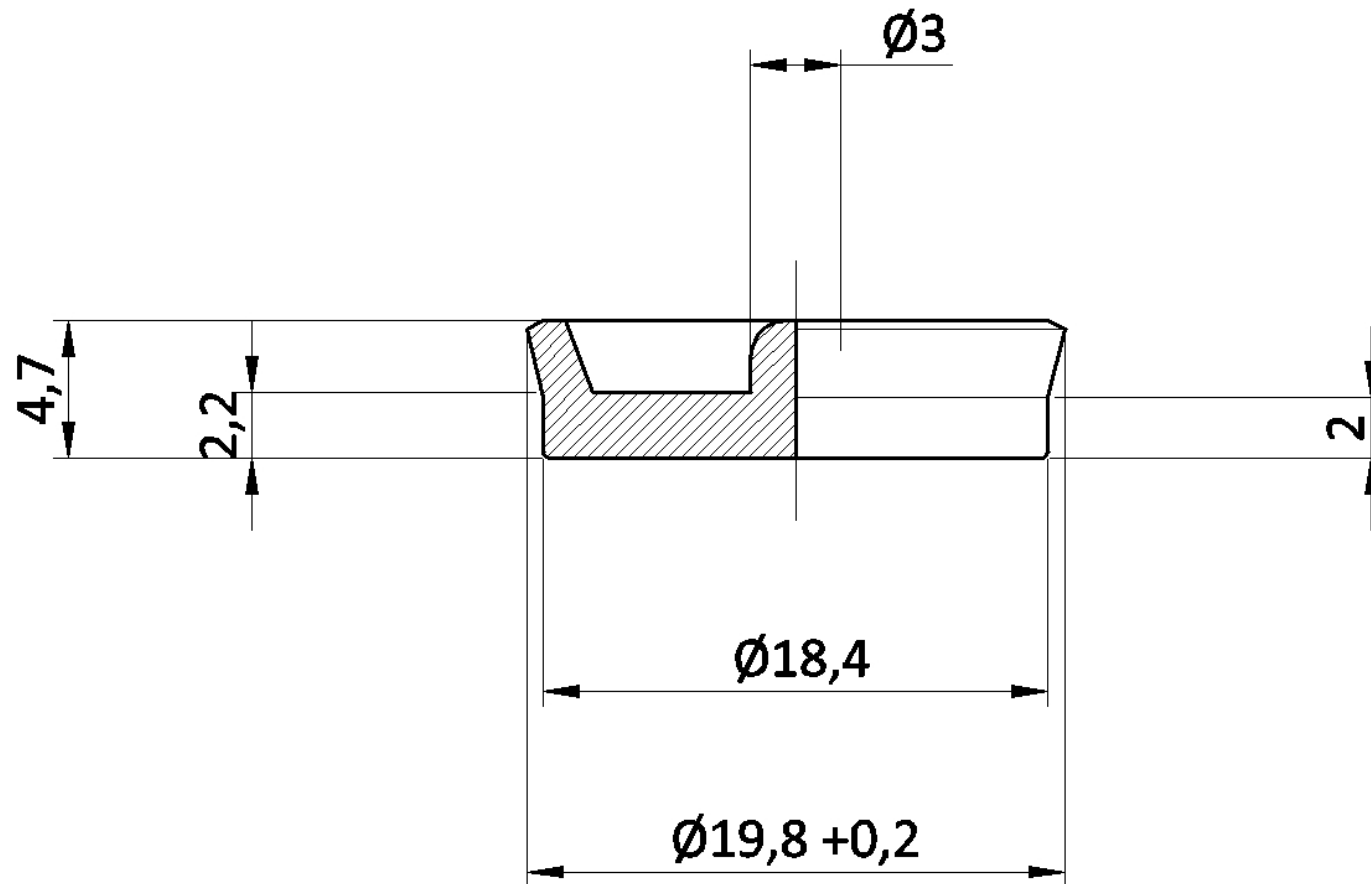
<< Back to all TYPES

5356



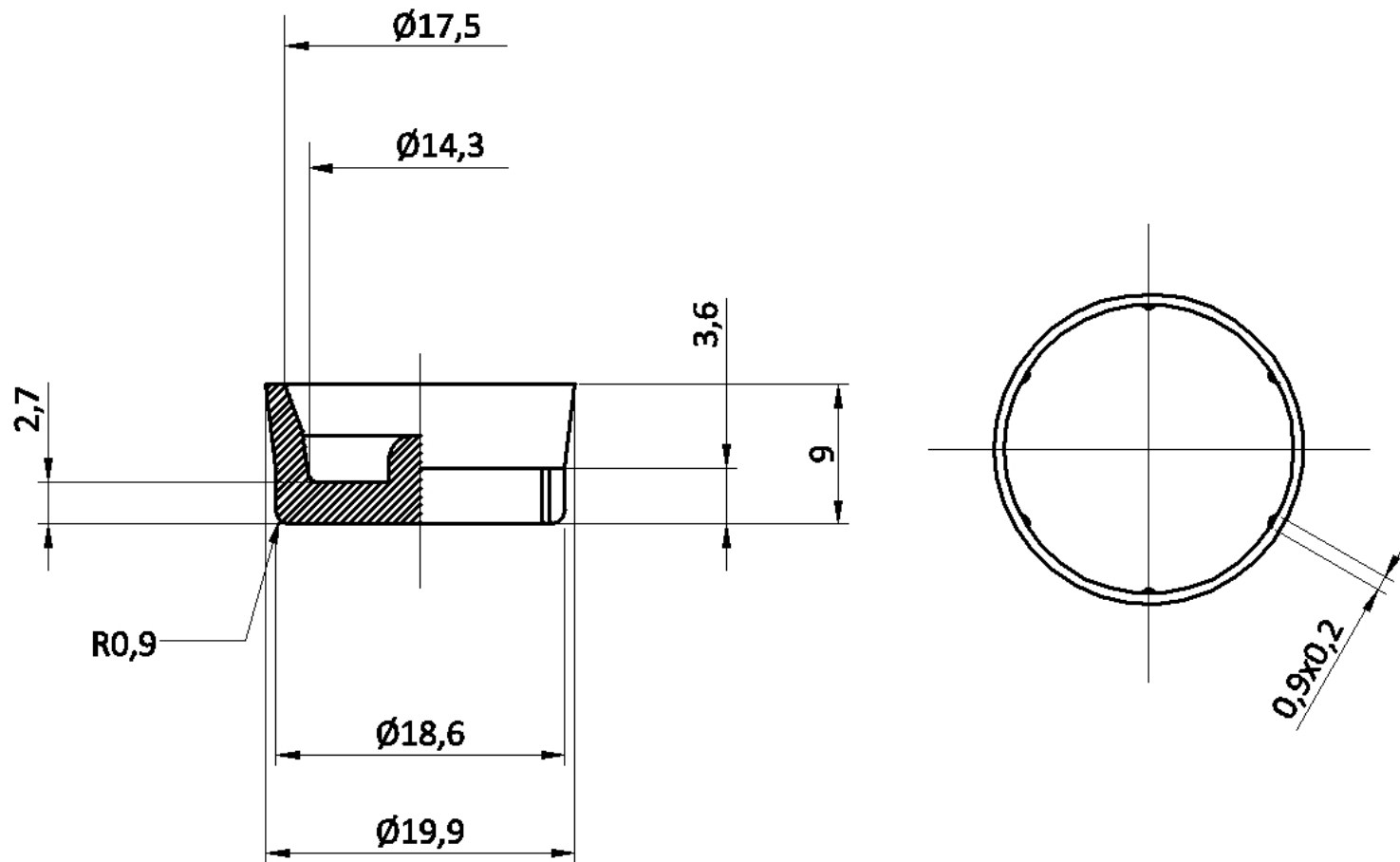
<< Back to all TYPES

5355



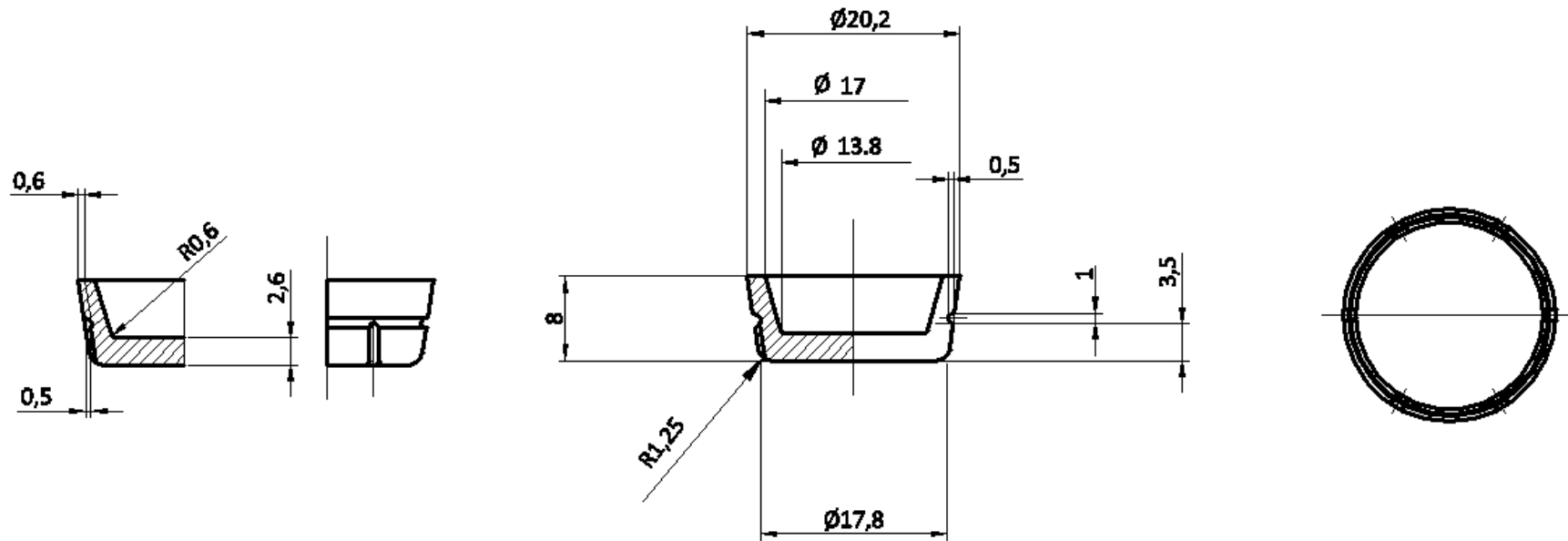
[<< Back to all TYPES](#)

5153



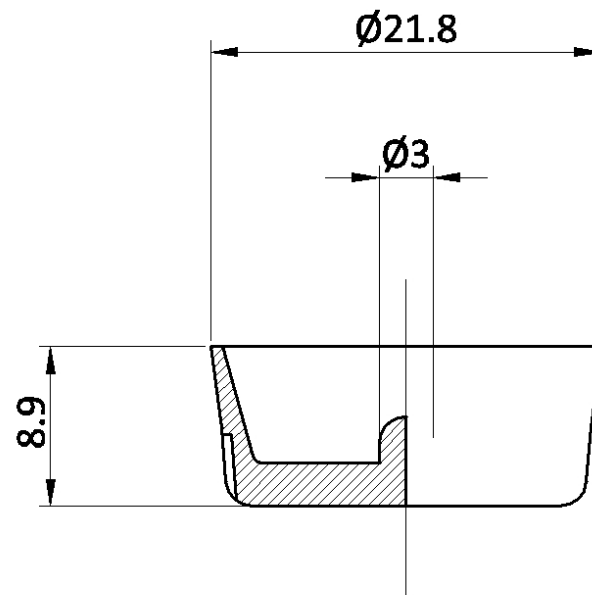
<< Back to all TYPES

5238



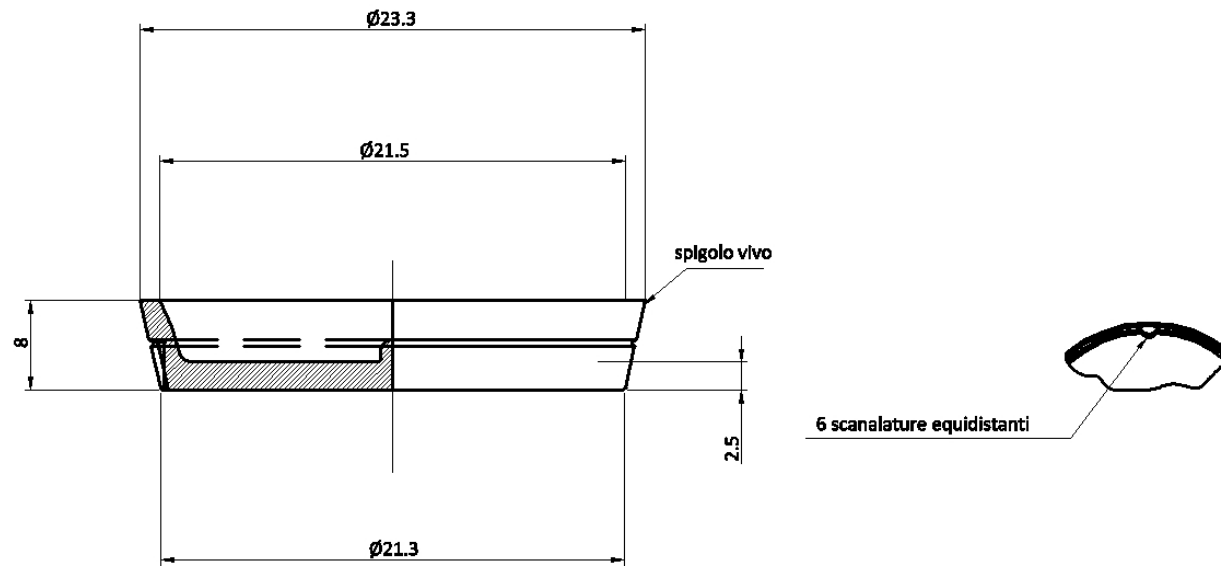
<< Back to all TYPES

5156



<< Back to all TYPES

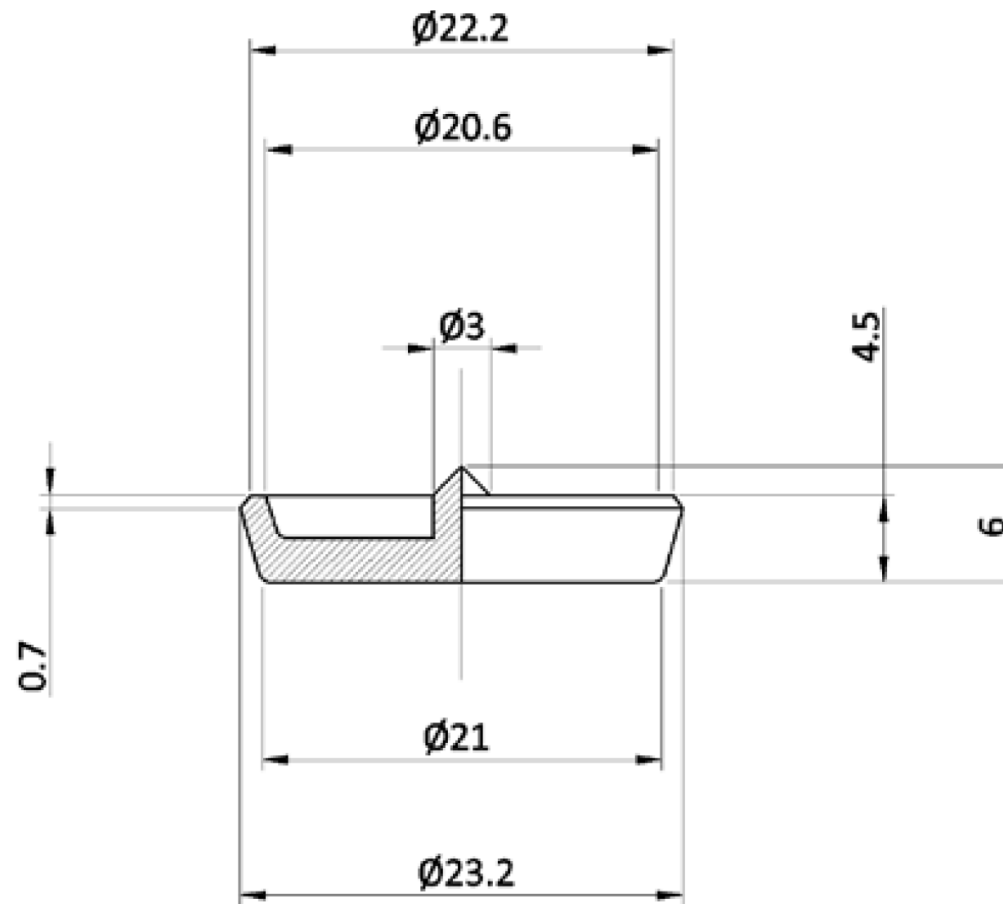
# 5110





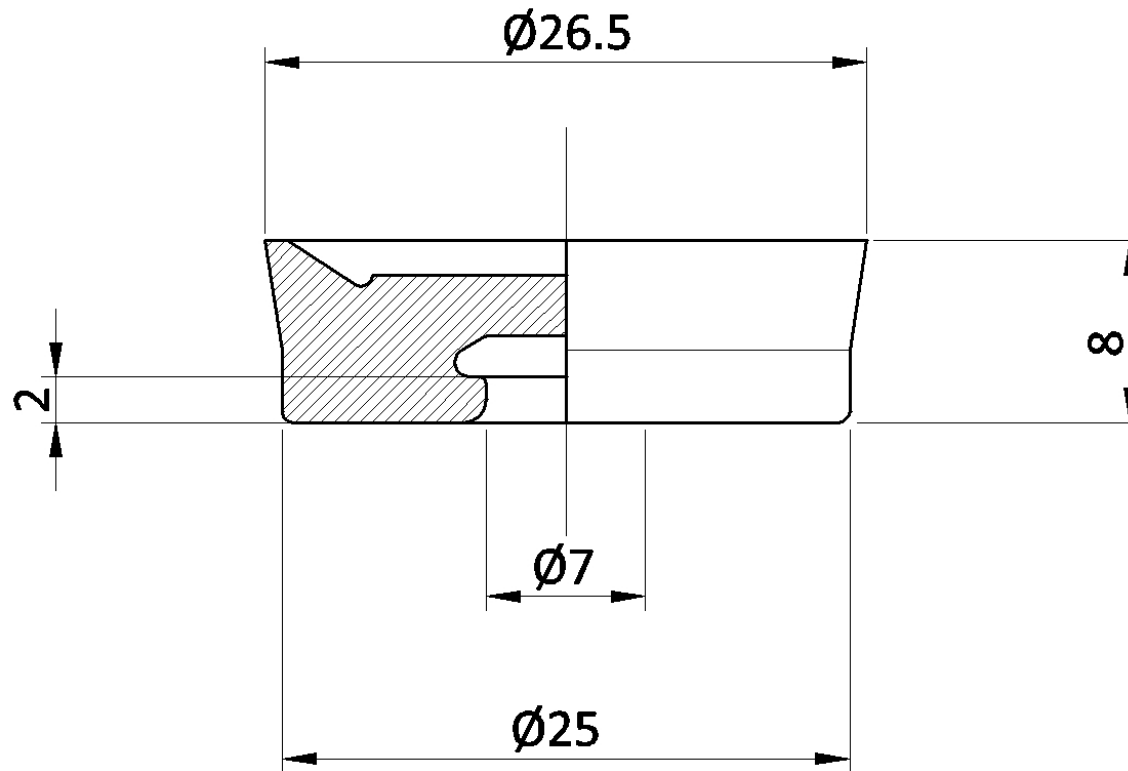
[<< Back to all TYPES](#)

5124



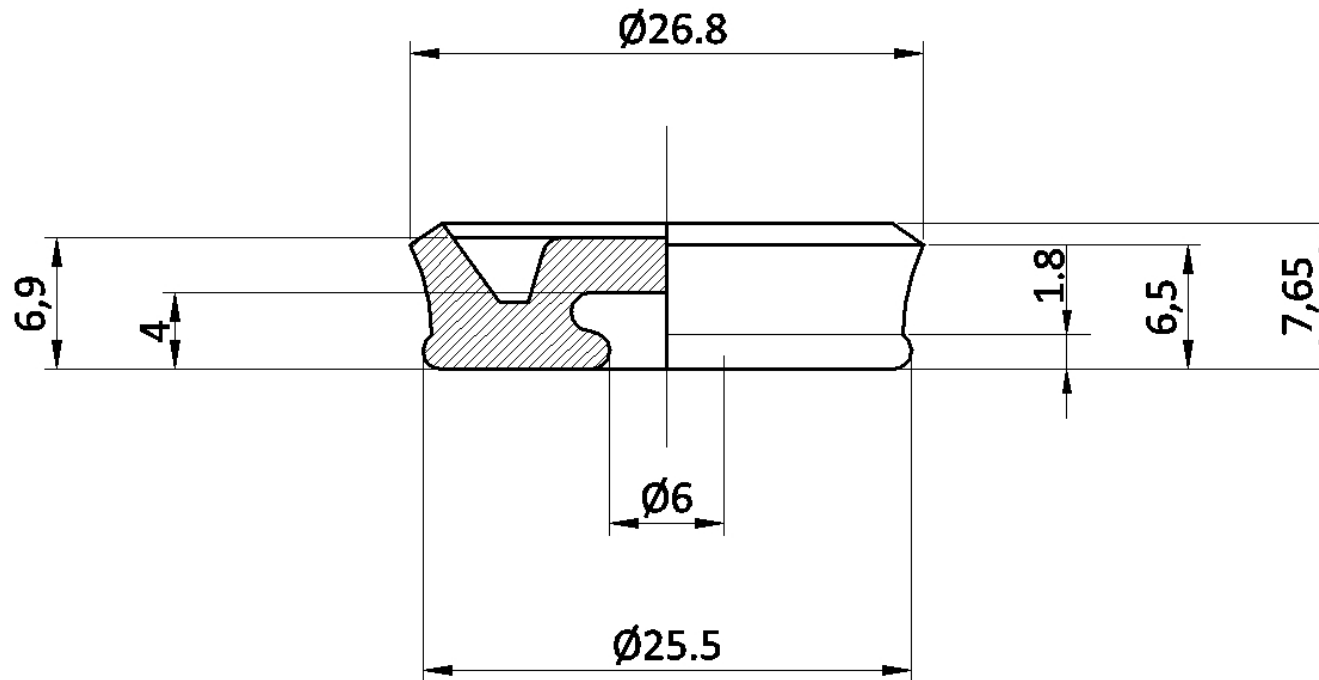
<< Back to all TYPES

5553



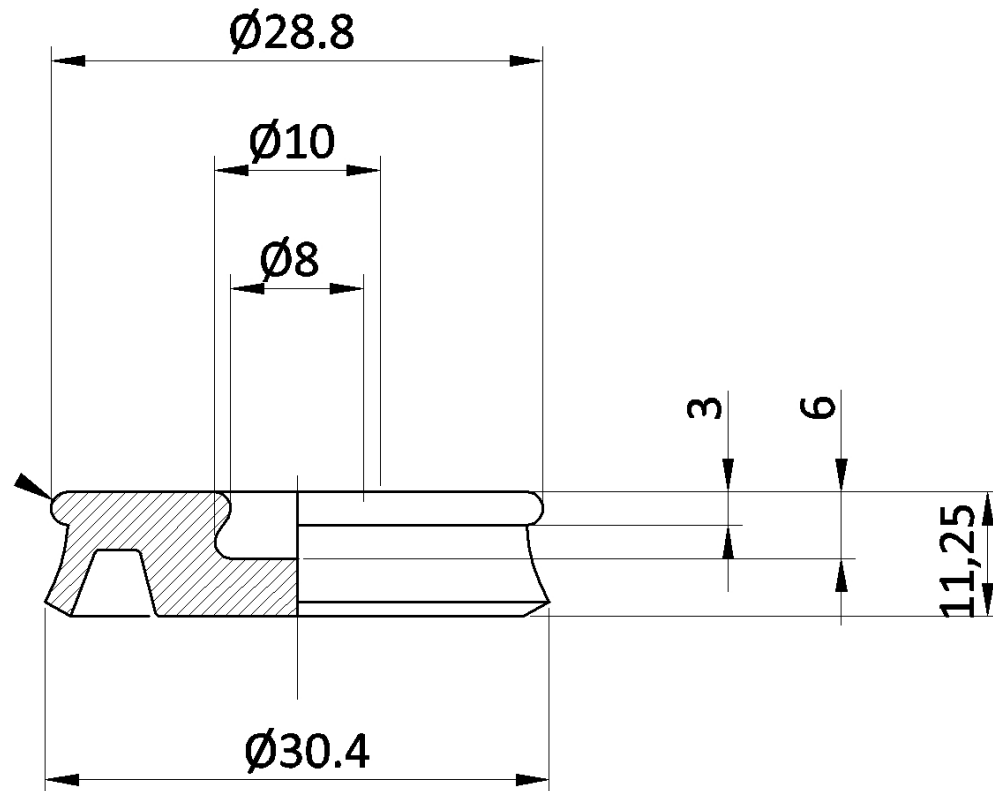
<< Back to all TYPES

5525



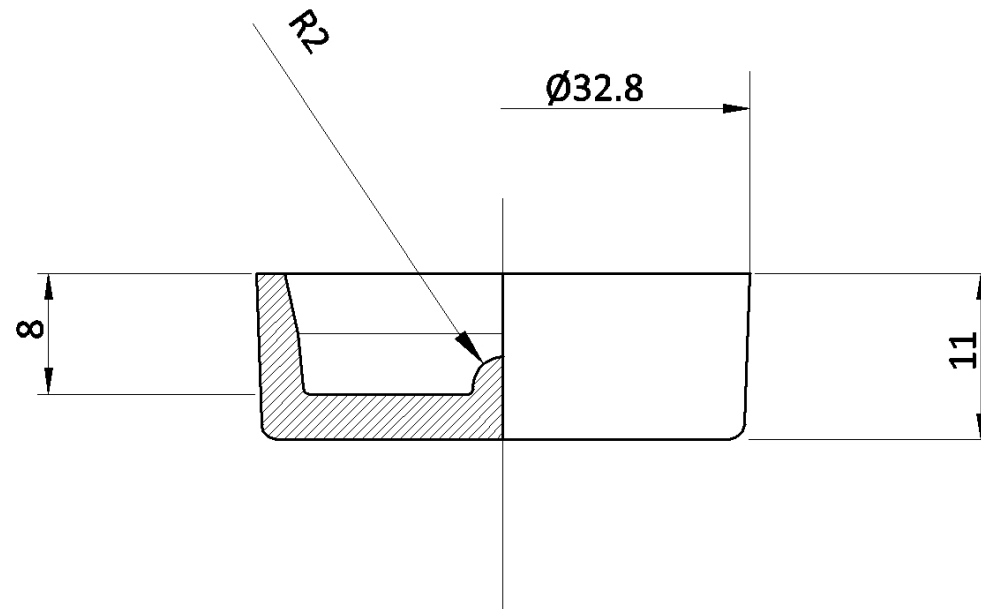
<< Back to all TYPES

5498



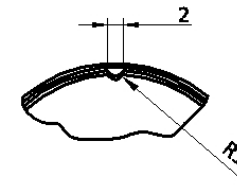
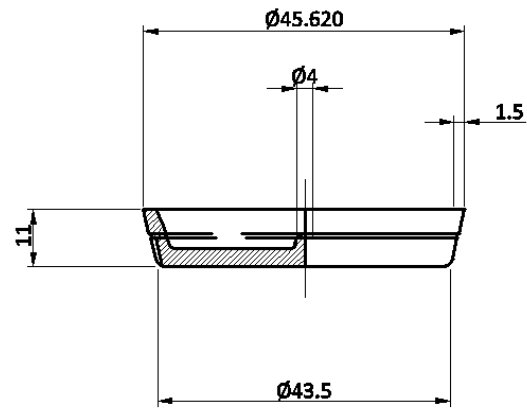
<< Back to all TYPES

5289

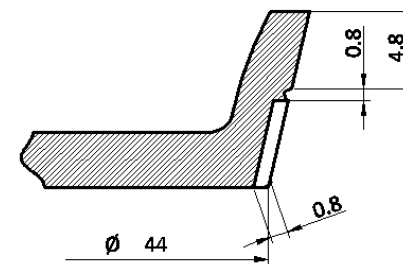
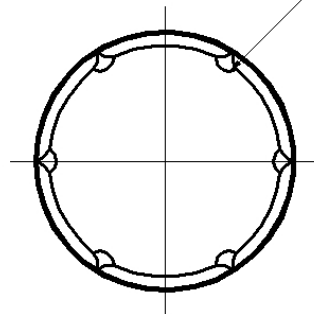


<< Back to all TYPES

5129

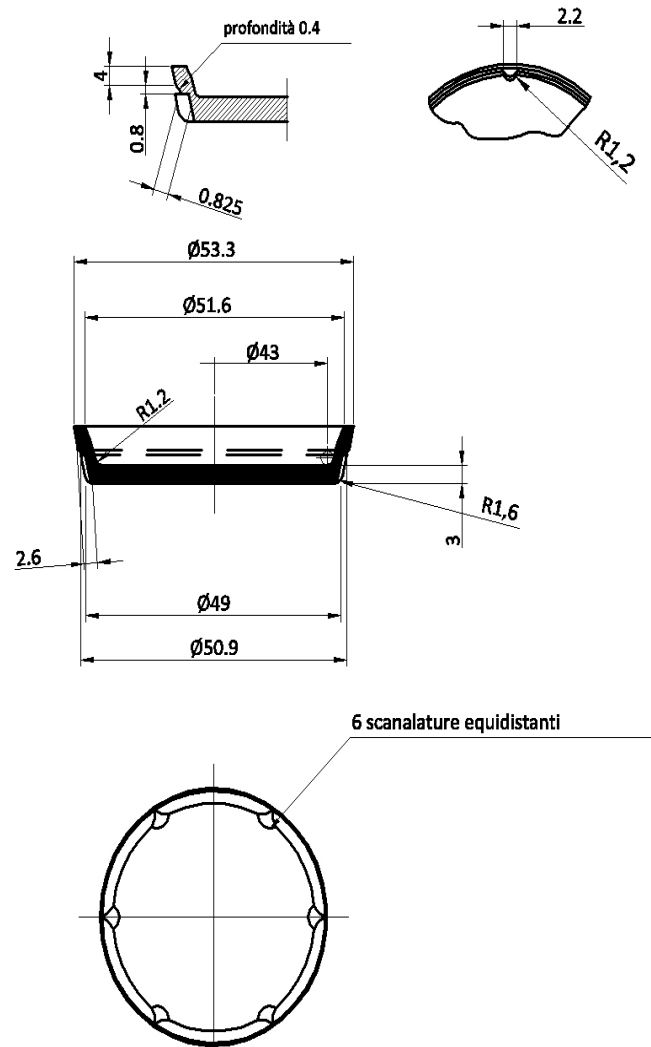


6 scanalature equidistanti



<< Back to all TYPES

# 5043



Collar seals





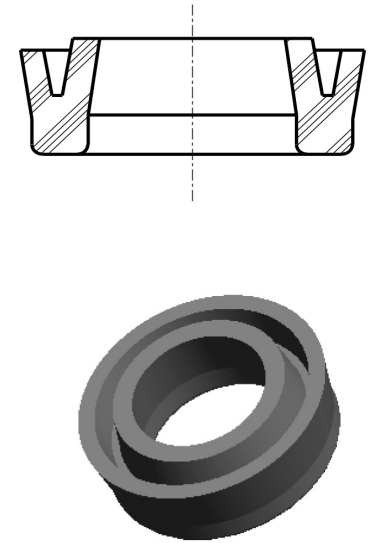
Click on the SAPAT code or on the measure to view the quoted drawing. Click on the first one in the list to browse all drawings.

1

| OUTER Ø | SAPAT Code |
|---------|------------|
| 13,8    | 5419       |
| 14,6    | 5486       |
| 15      | 5477       |
| 15,6    | 5473       |
| 16,5    | 5433       |
| 16,5    | 5472       |
| 16,8    | 5130       |
| 17,15   | 2879       |
| 18,4    | 5136       |
| 18,4    | 5476       |
| 18,5    | 5432       |
| 18,6    | 5308       |
| 18,65   | 5533       |
| 19      | 5418       |
| 19,75   | 5478       |
| 20      | 5517       |
| 20      | 5523       |
| 20,1    | 5532       |
| 21,2    | 5448       |
| 21,4    | 5480       |
| 21,4    | 5558       |
| 21,4    | 5559       |
| 21,5    | 5457       |
| 22,6    | 5549       |

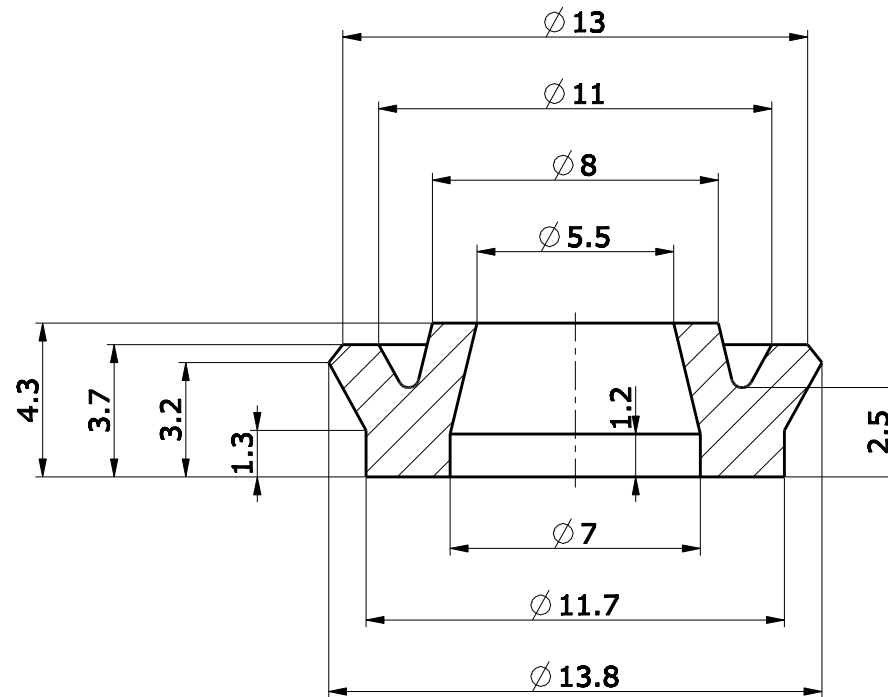
2

| OUTER Ø | SAPAT Code |
|---------|------------|
| 22,7    | 5466       |
| 22,7    | 5471       |
| 23      | 5119       |
| 23,8    | 5020       |
| 25,2    | 5118       |
| 25,7    | 5319       |
| 26,1    | 5506       |
| 26,2    | 5497       |
| 26,5    | 5034       |
| 26,7    | 5067       |
| 27,2    | 5318       |
| 27,6    | 5094       |
| 29      | 5407       |
| 30,8    | 5144       |
| 31,2    | 5194       |
| 32      | 5146       |
| 32,1    | 5488       |
| 33,4    | 5449       |
| 33,4    | 5487       |
| 34,2    | 5145       |
| 36,3    | 5537       |
| 36,8    | 5323       |
| 41,2    | 5504       |
| 49,6    | 5505       |



[<< Back to all TYPES](#)

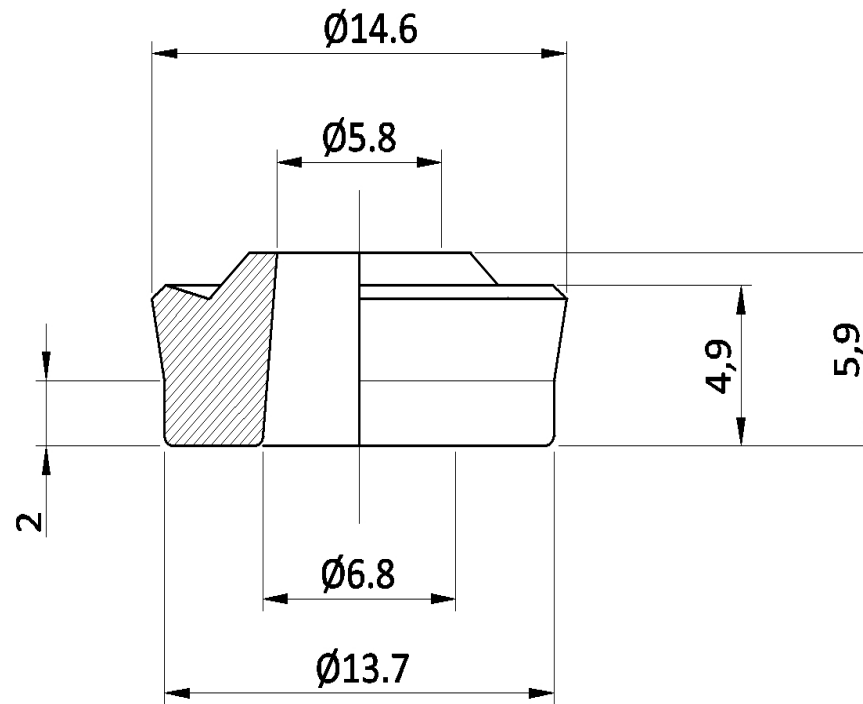
5419



SEZIONE A-A  
SCALA 5.000

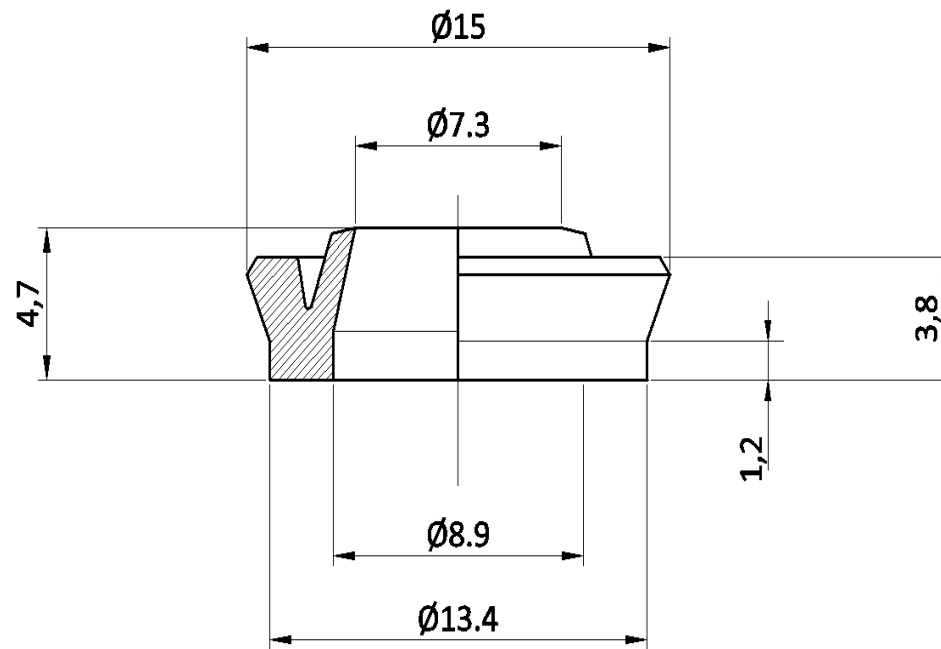
<< Back to all TYPES

5486



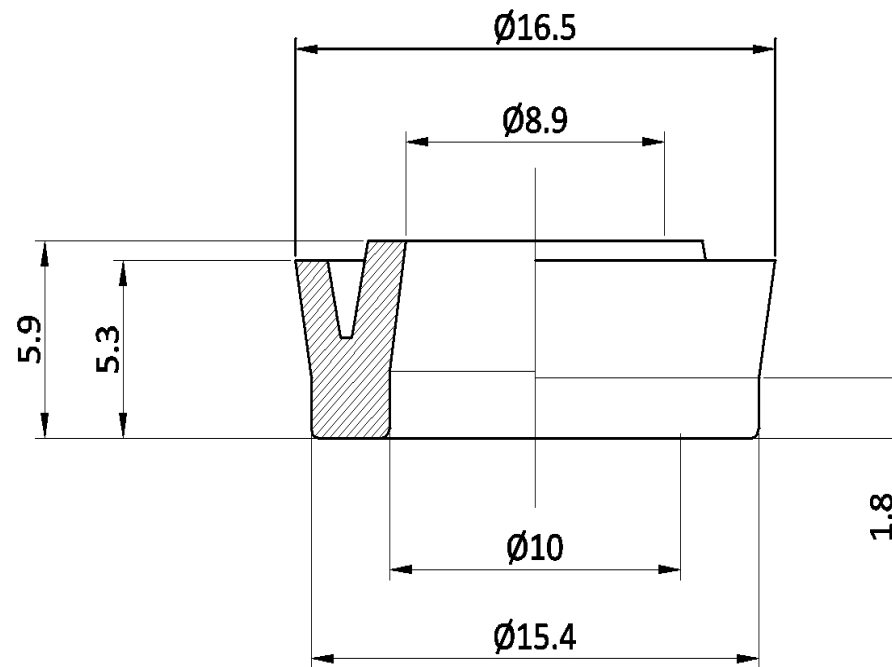
<< Back to all TYPES

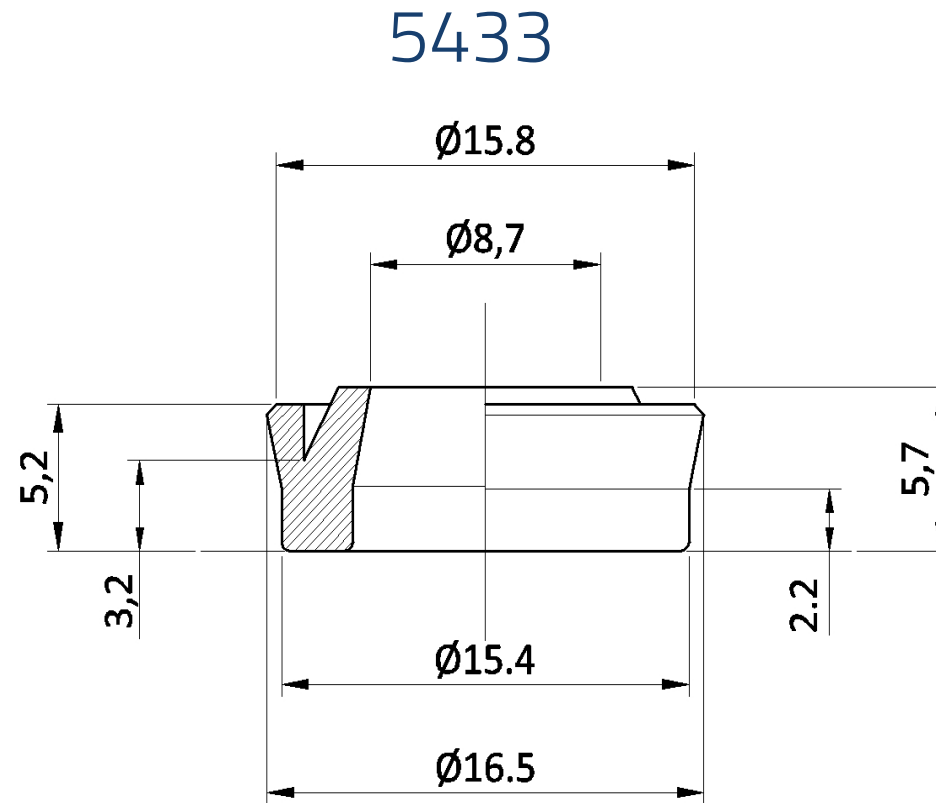
5477



[<< Back to all TYPES](#)

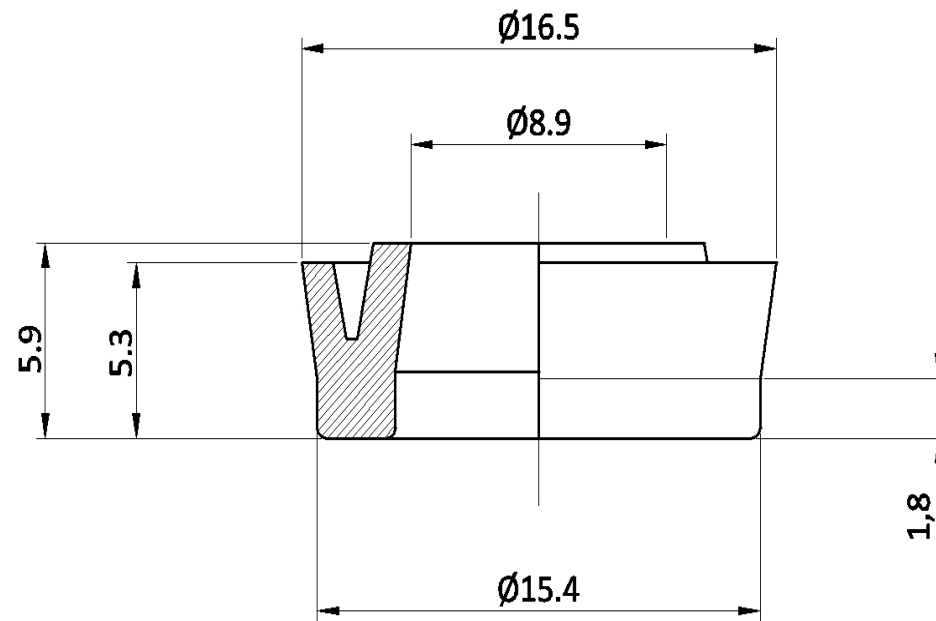
5473



[<< Back to all TYPES](#)

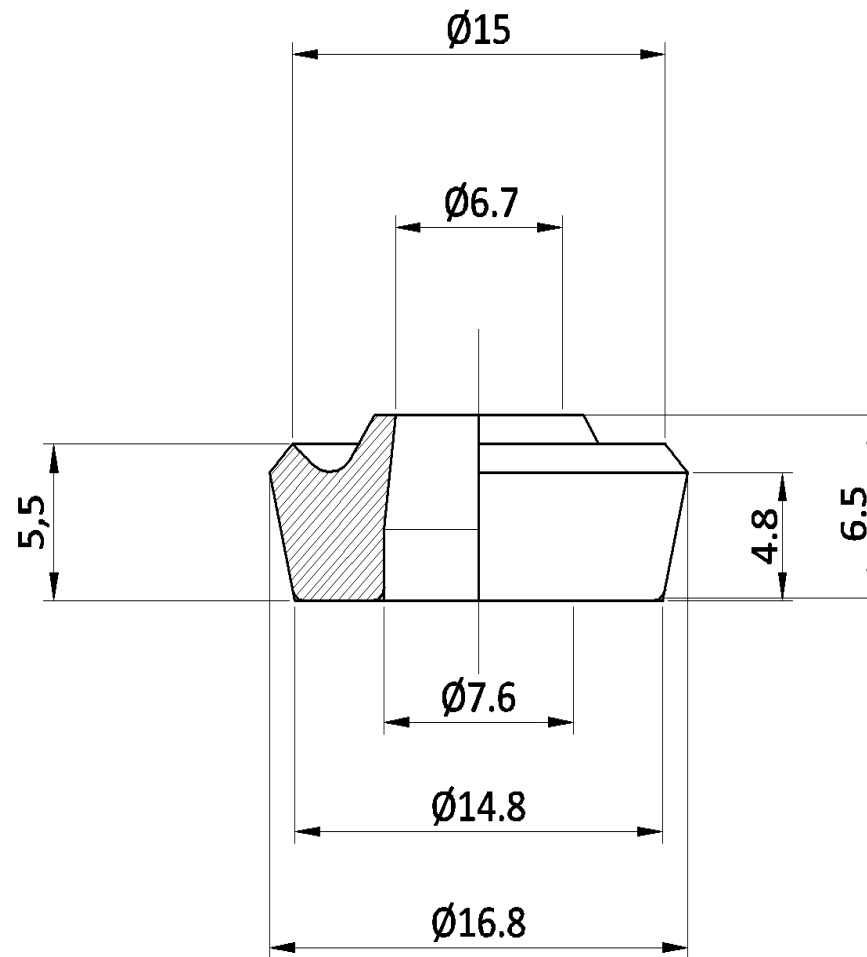
<< Back to all TYPES

5472



<< Back to all TYPES

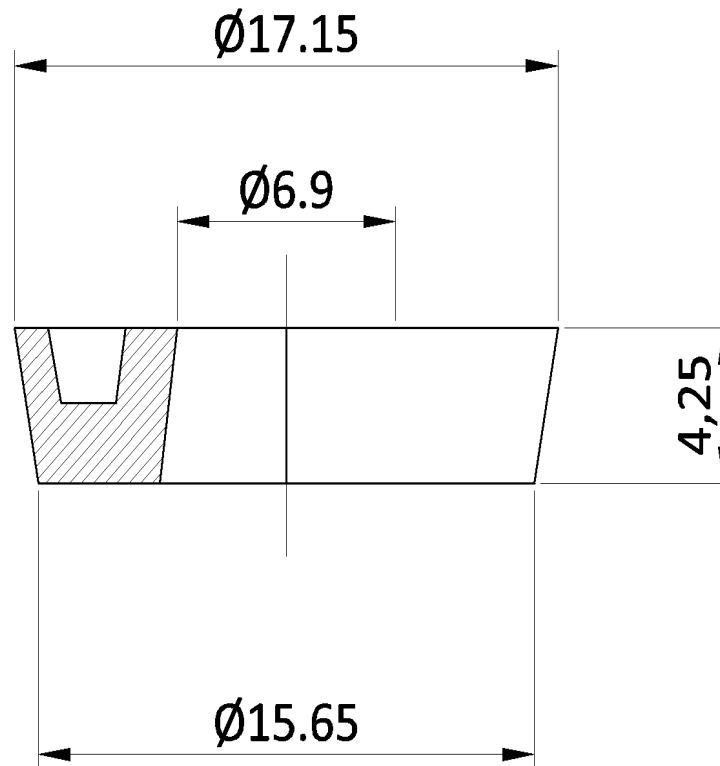
5130





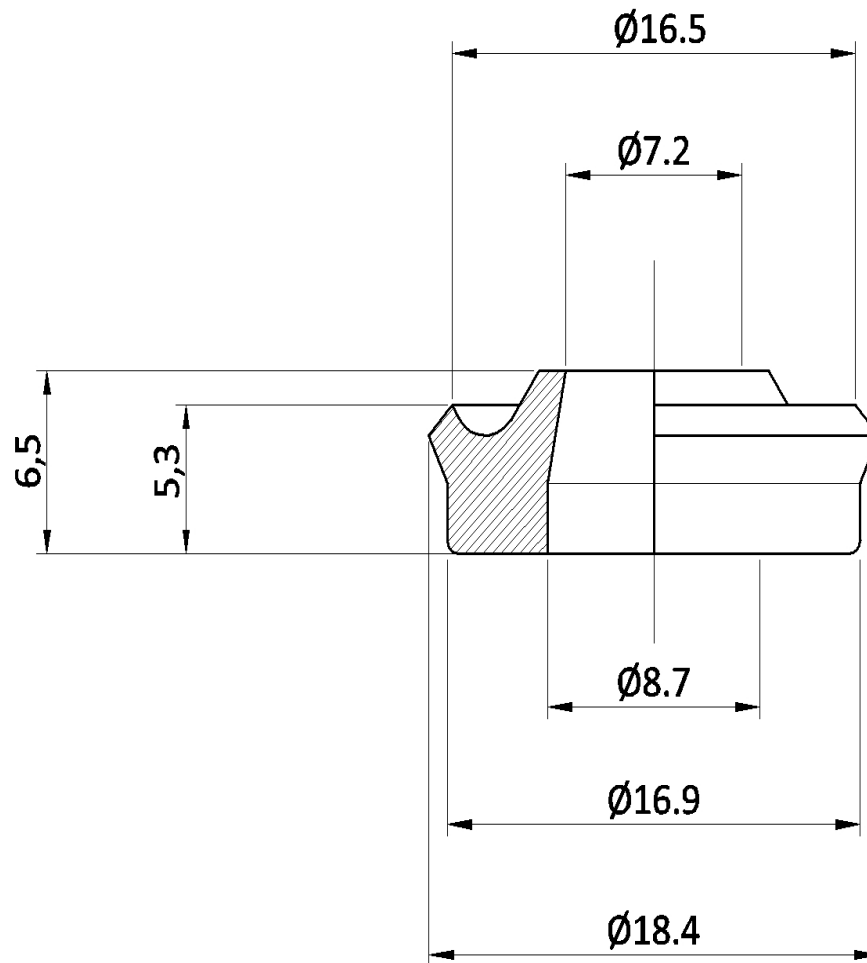
<< Back to all TYPES

2879



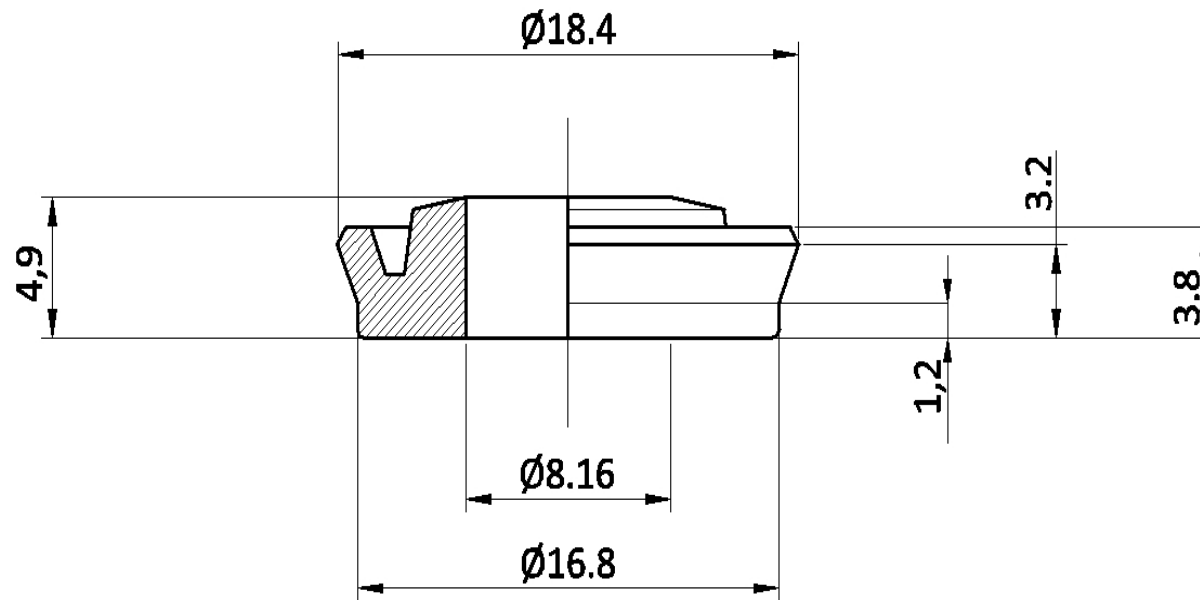
<< Back to all TYPES

5136



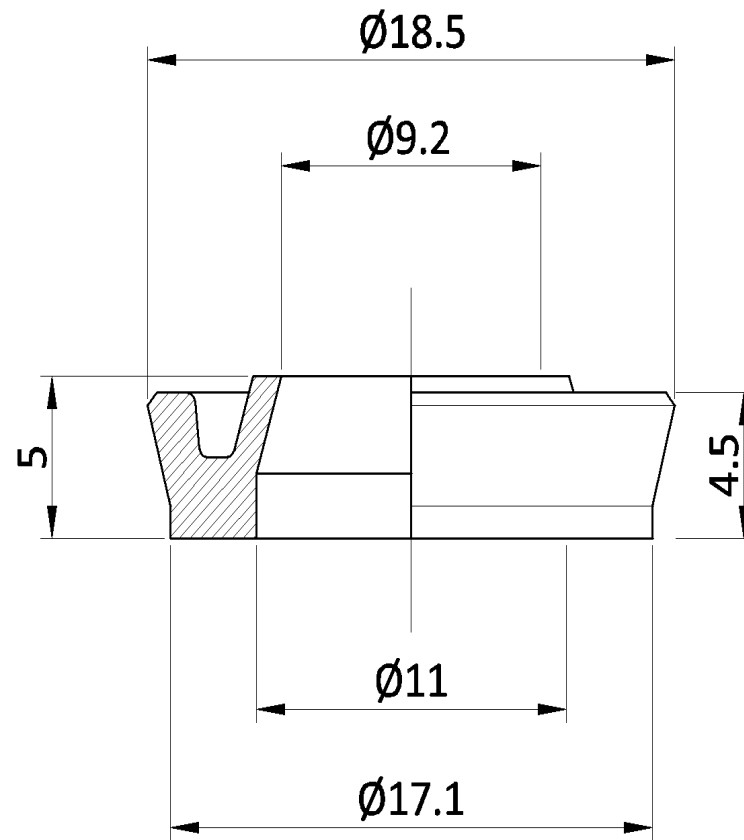
<< Back to all TYPES

5476



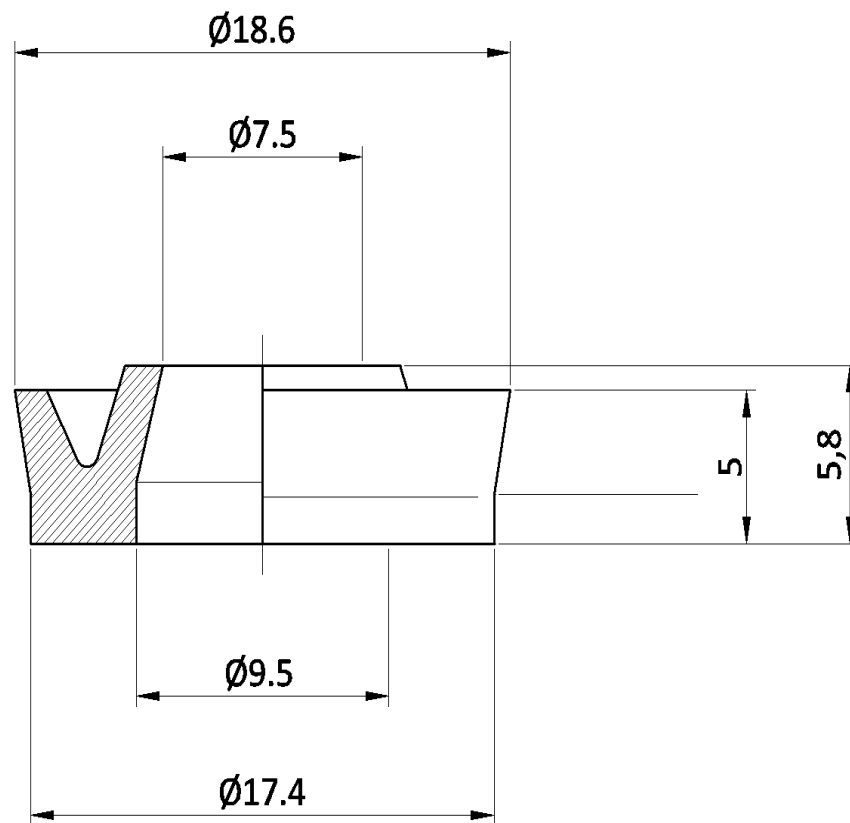
<< Back to all TYPES

5432



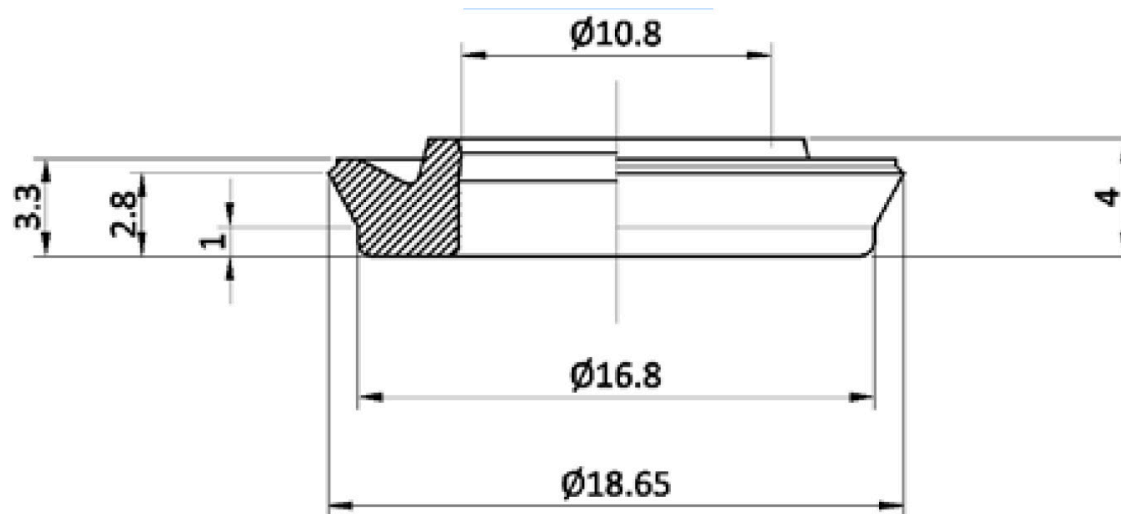
<< Back to all TYPES

5308



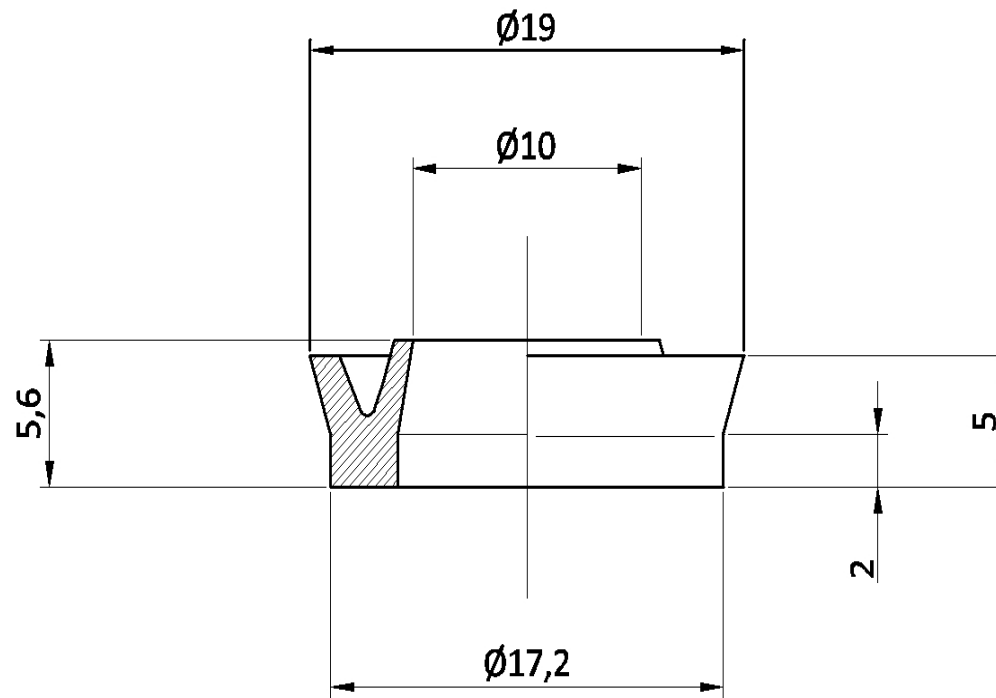
<< Back to all TYPES

5533



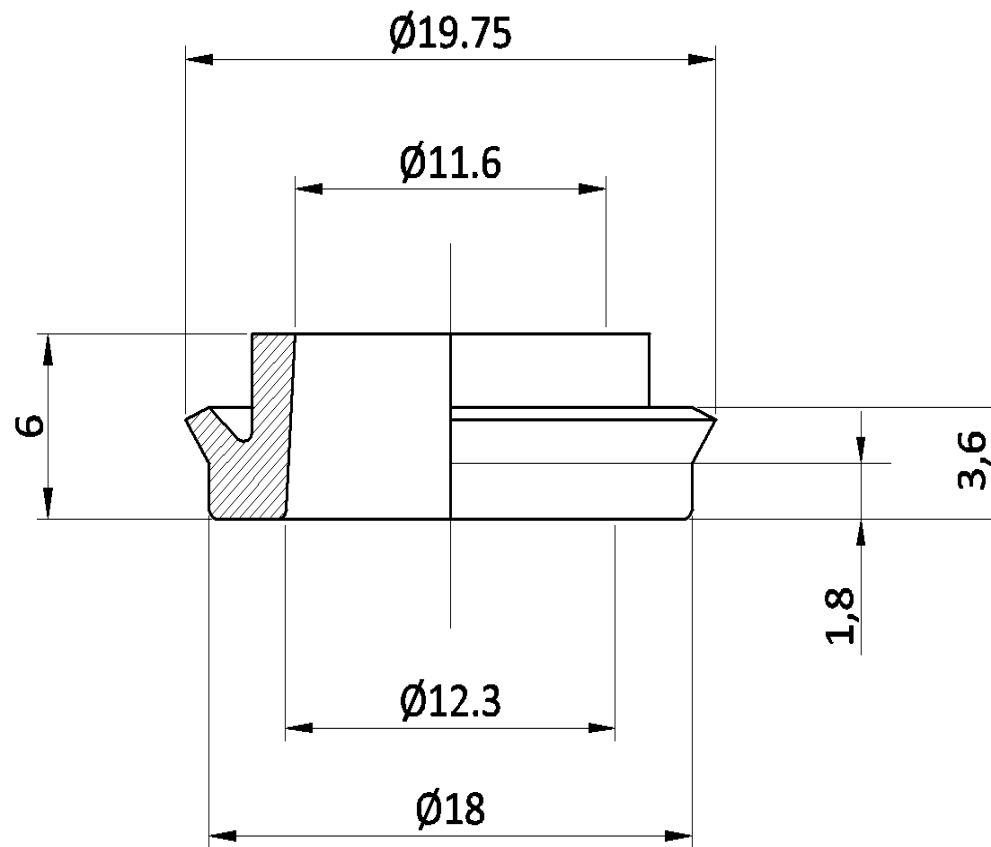
<< Back to all TYPES

5418



[<< Back to all TYPES](#)

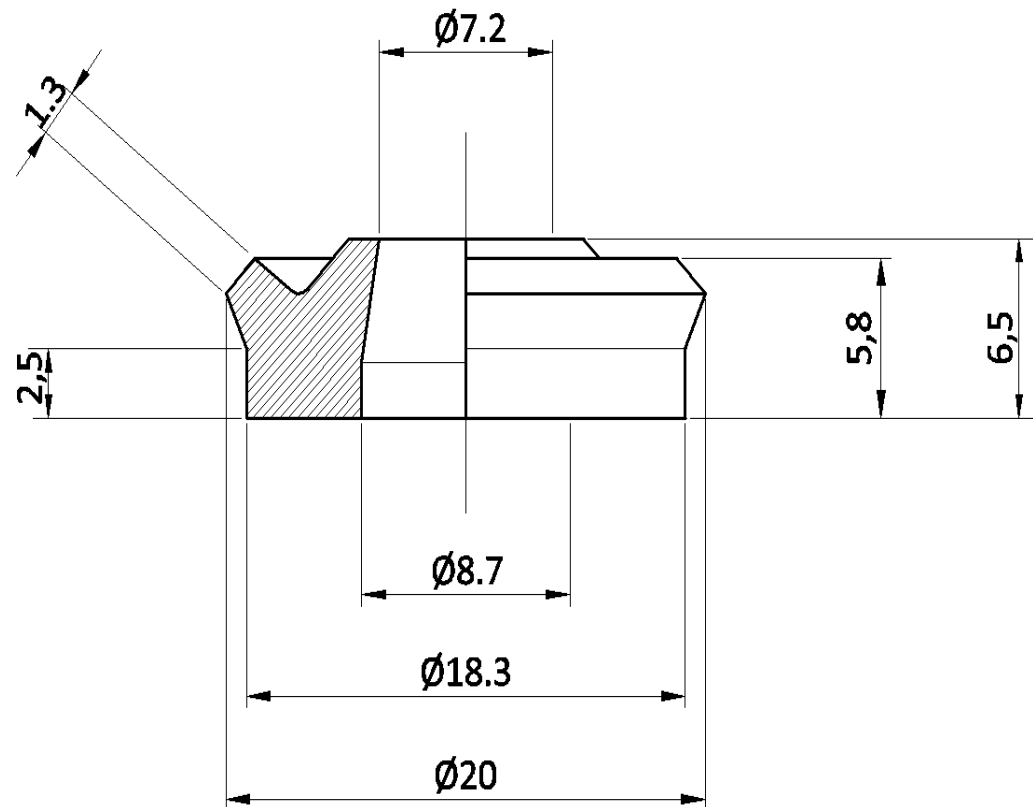
5478





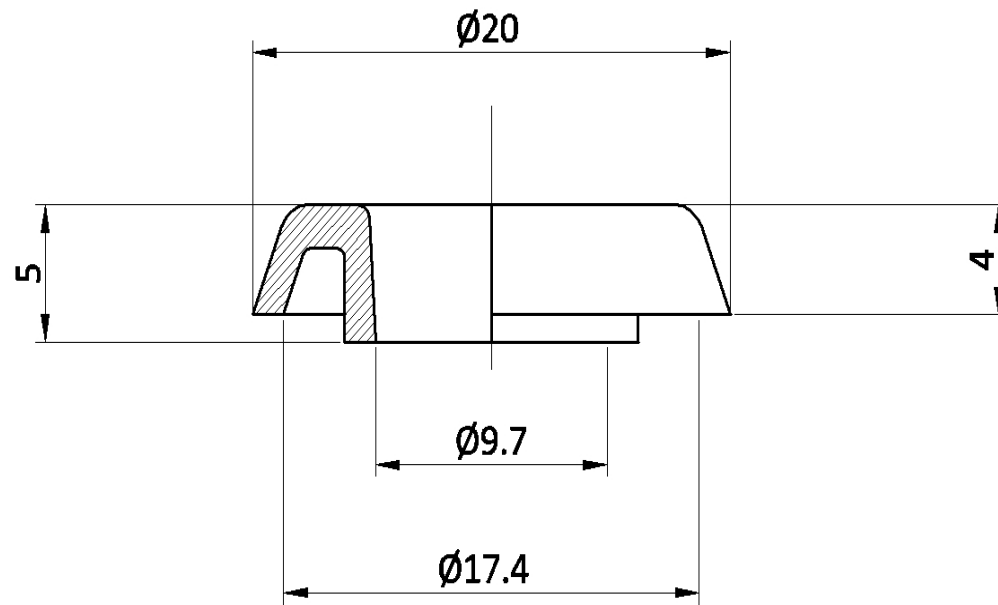
[<< Back to all TYPES](#)

5517



<< Back to all TYPES

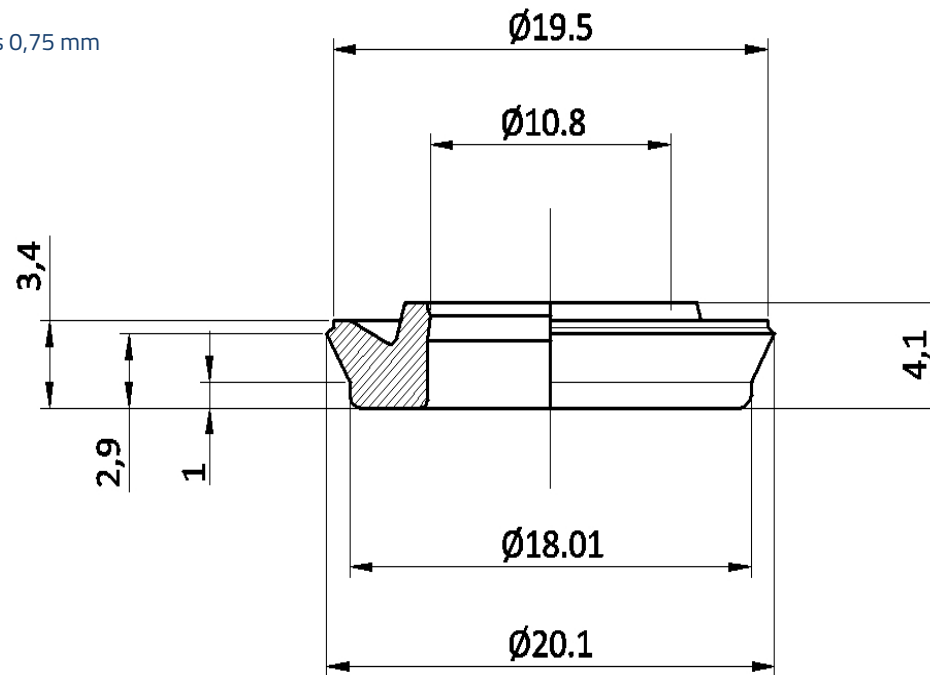
5523



[<< Back to all TYPES](#)

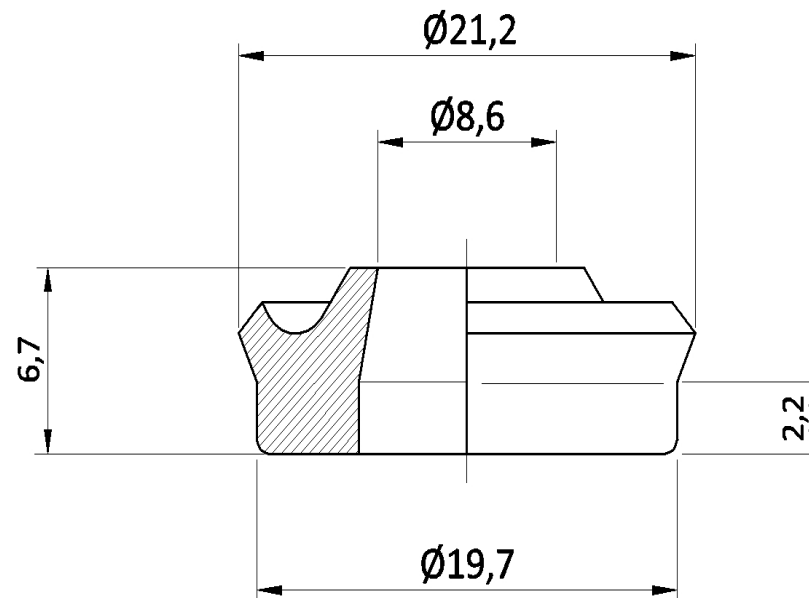
5532

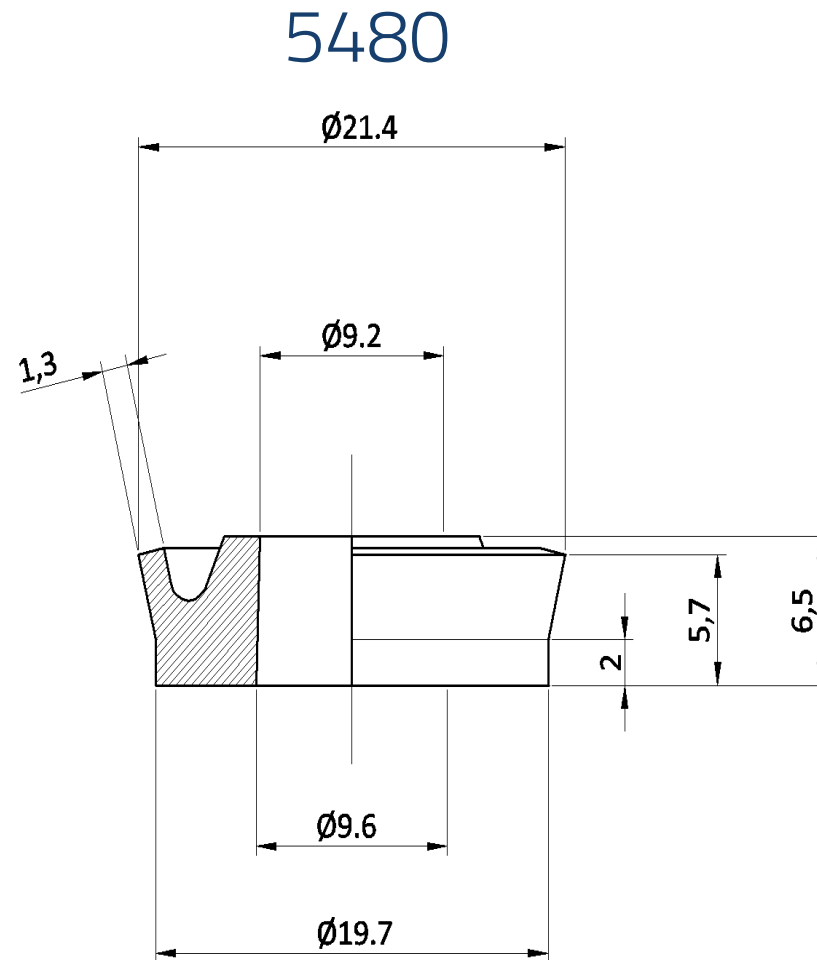
thickness 0,75 mm



<< Back to all TYPES

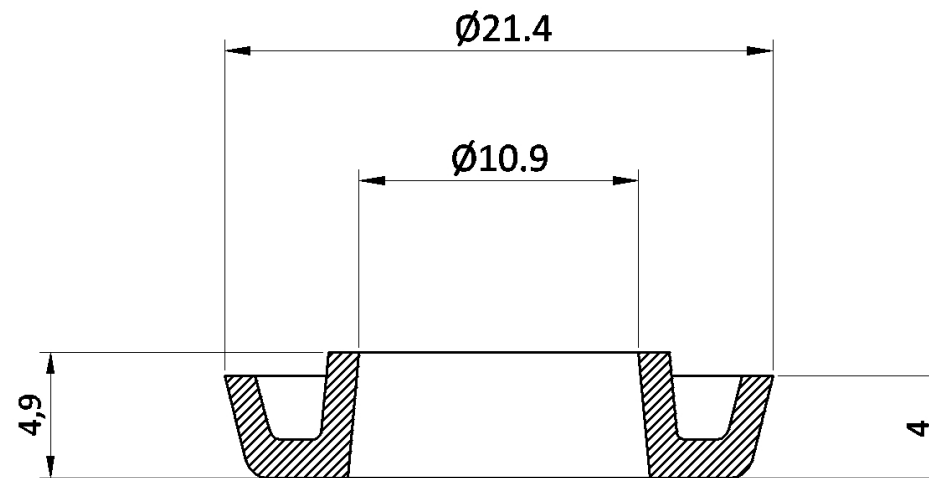
5448



[<< Back to all TYPES](#)

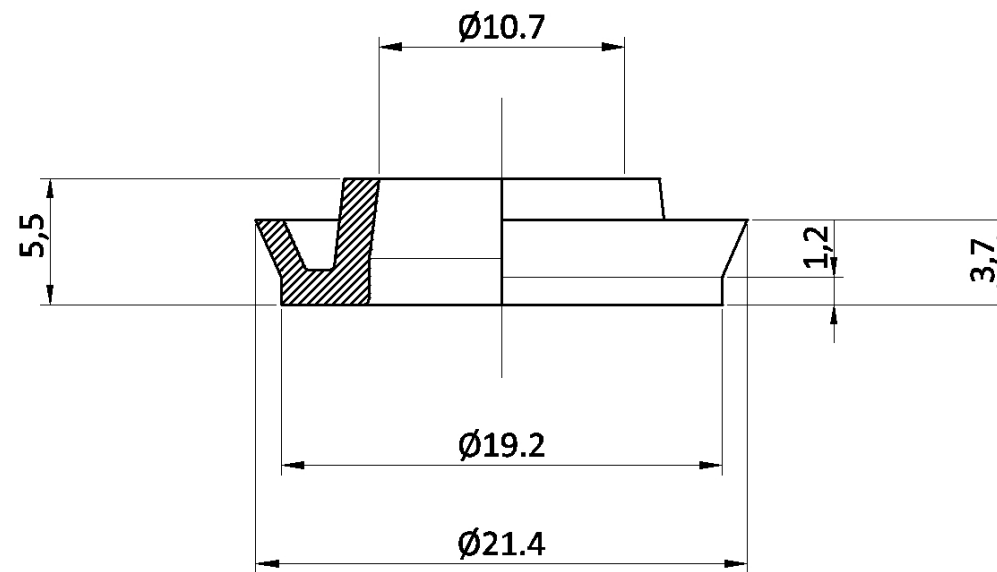
<< Back to all TYPES

5558



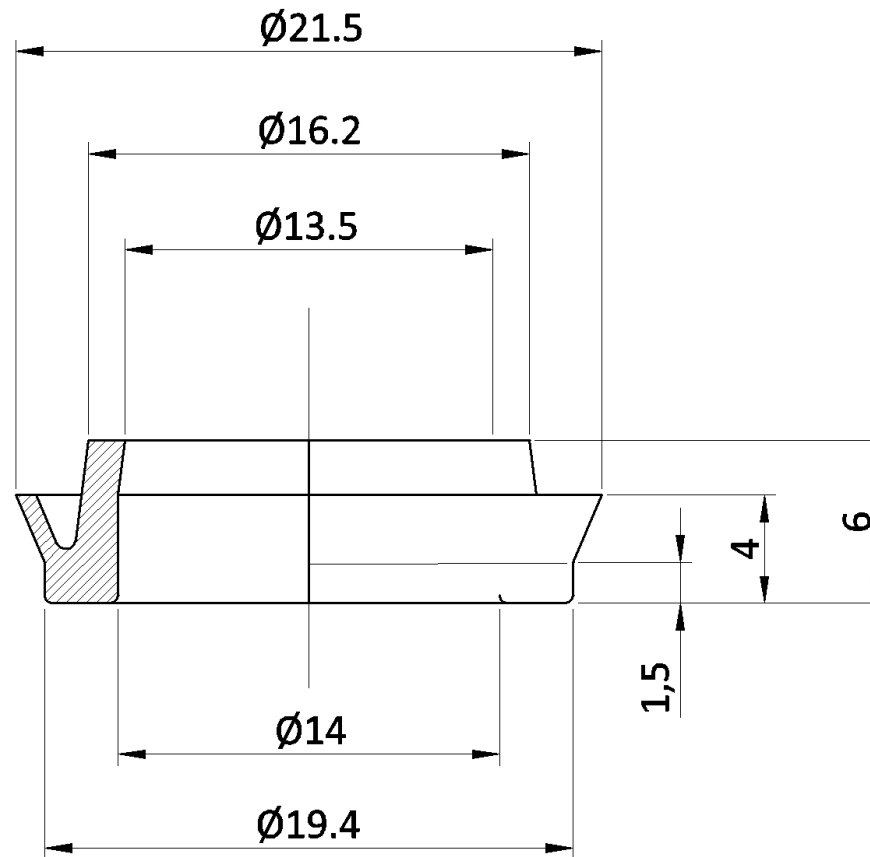
<< Back to all TYPES

5559



[<< Back to all TYPES](#)

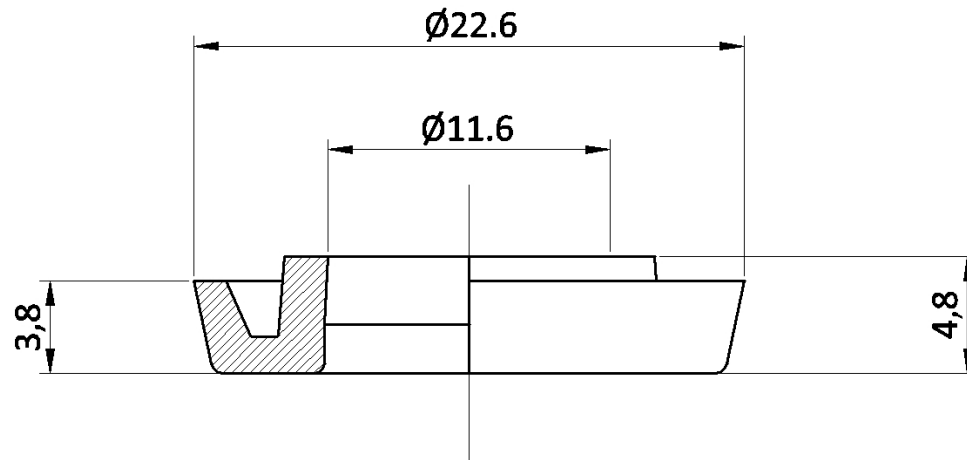
5457





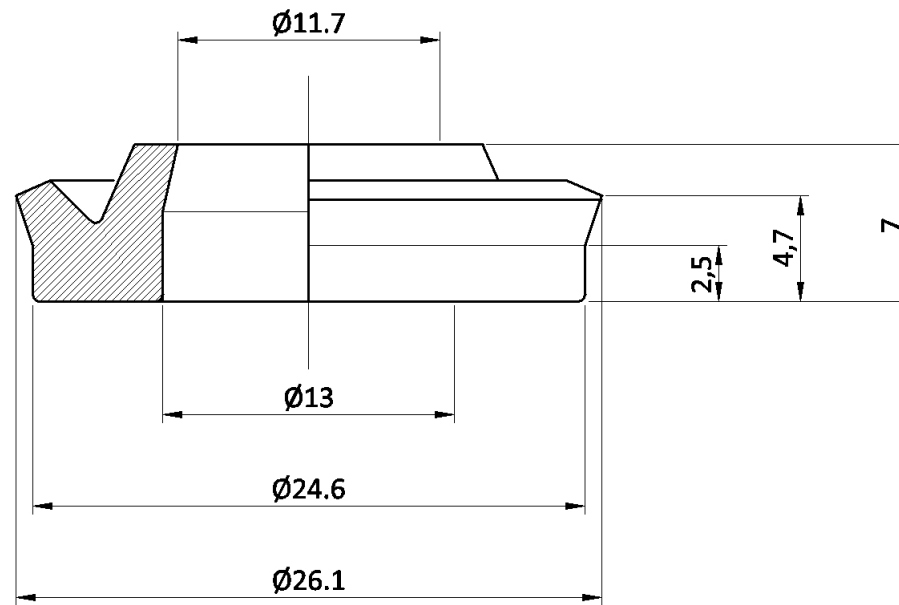
<< Back to all TYPES

5549



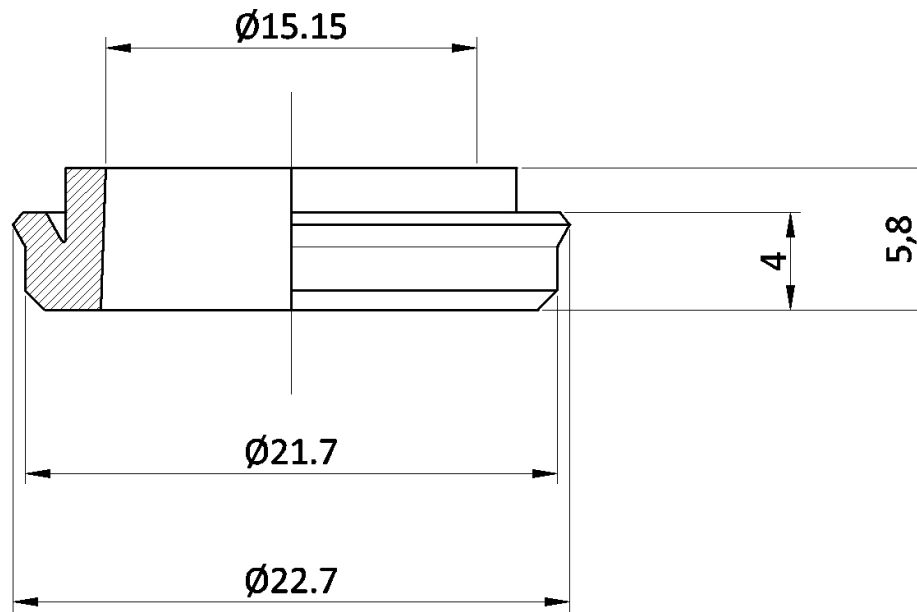
<< Back to all TYPES

5466



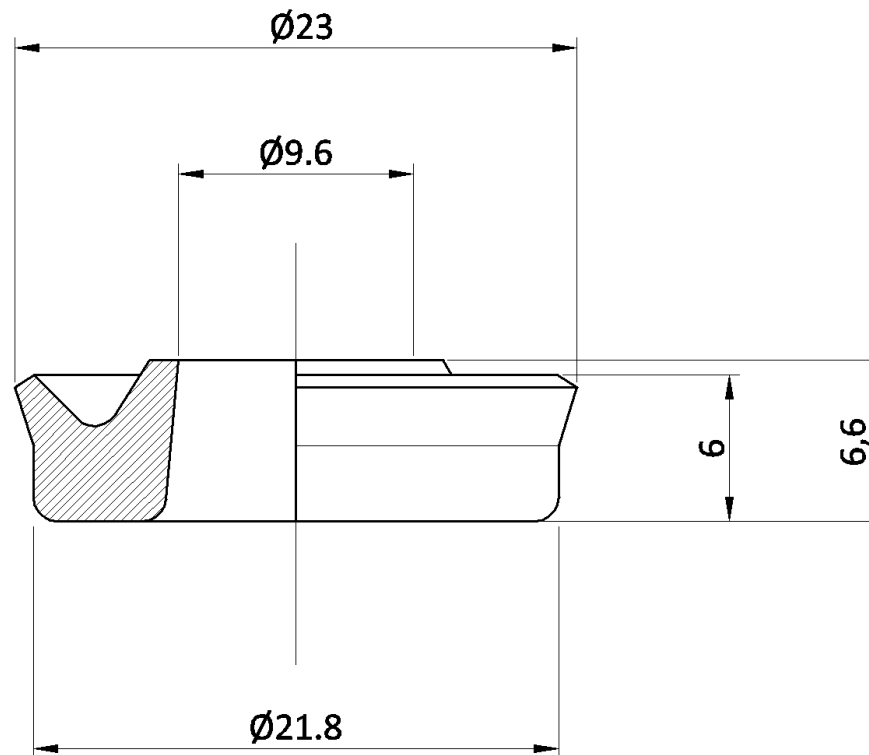
<< Back to all TYPES

5471



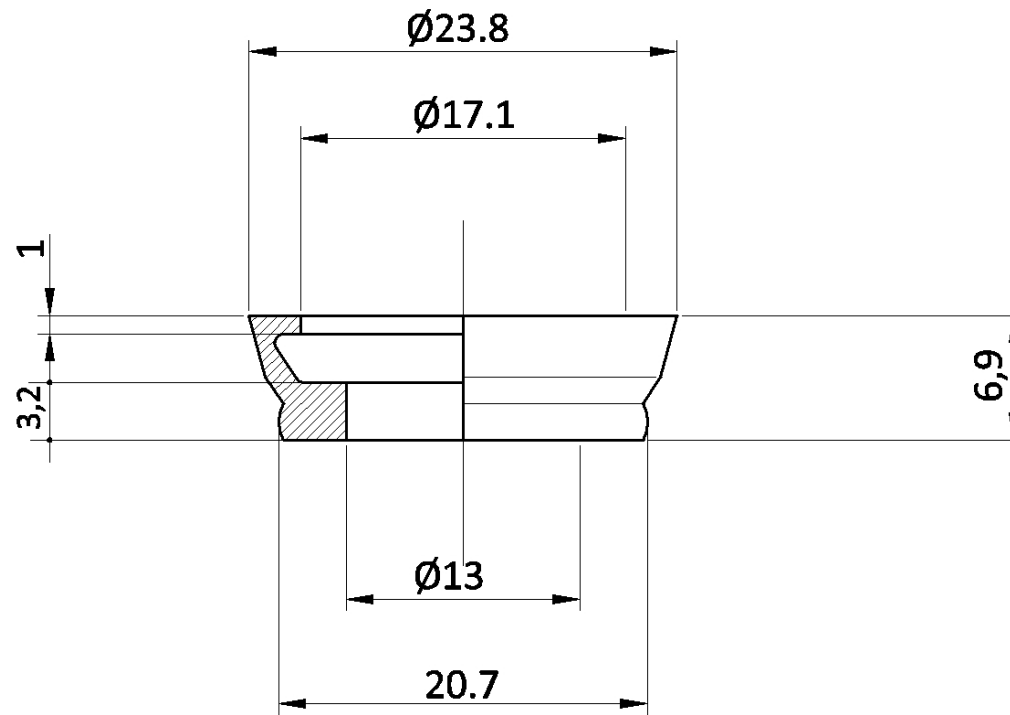
<< Back to all TYPES

5119



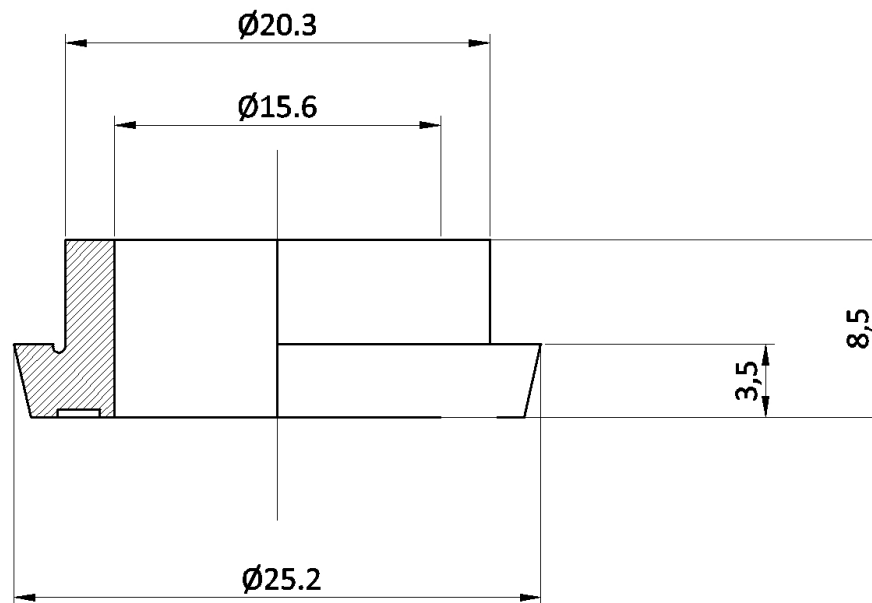
<< Back to all TYPES

5020



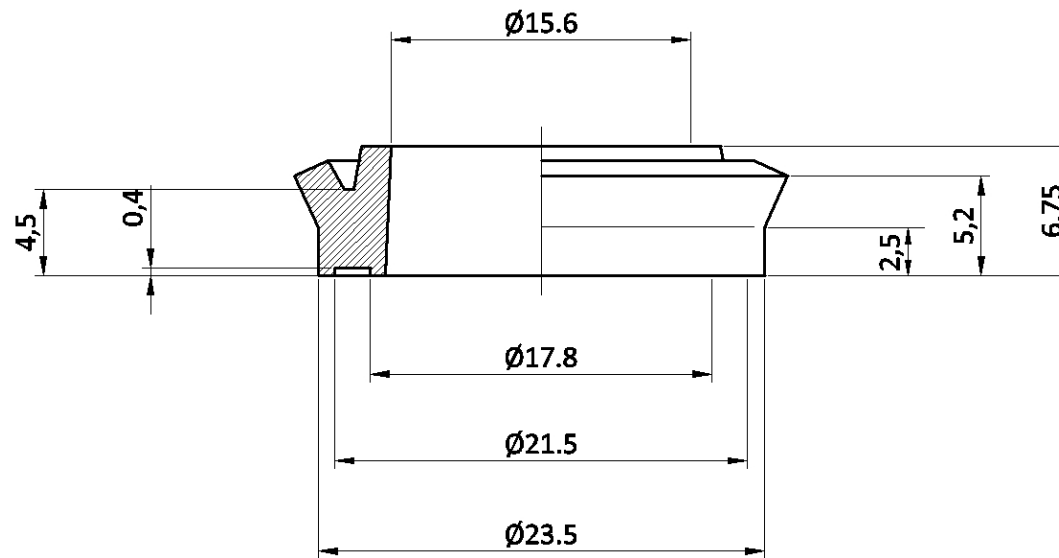
<< Back to all TYPES

5118



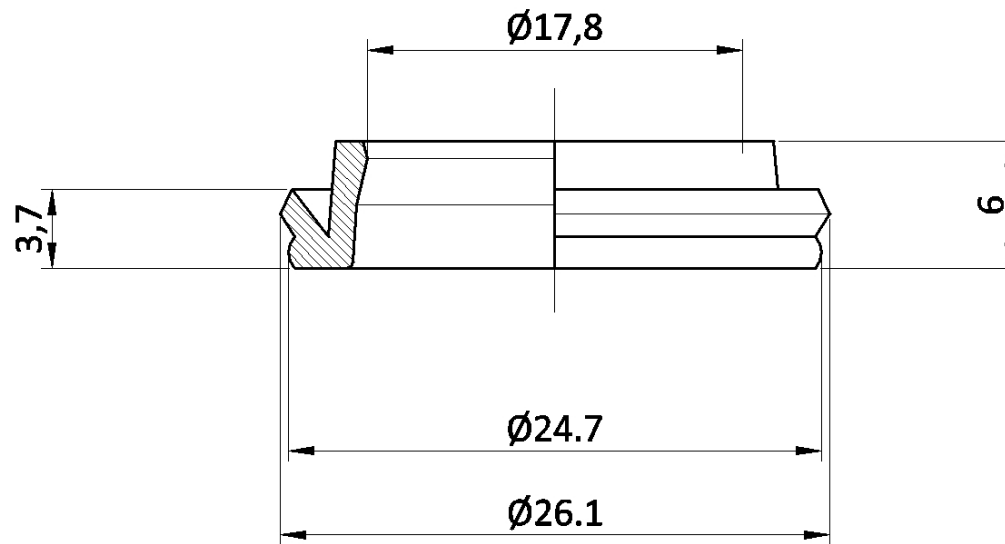
<< Back to all TYPES

5319



<< Back to all TYPES

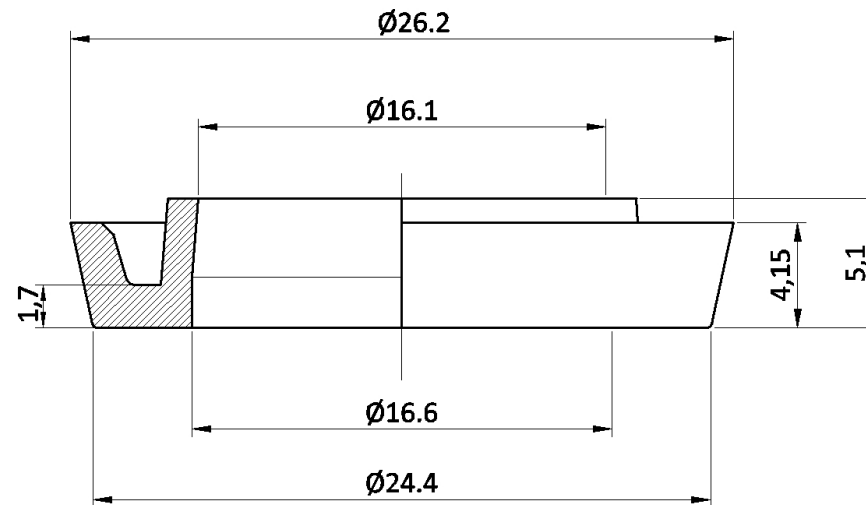
5506





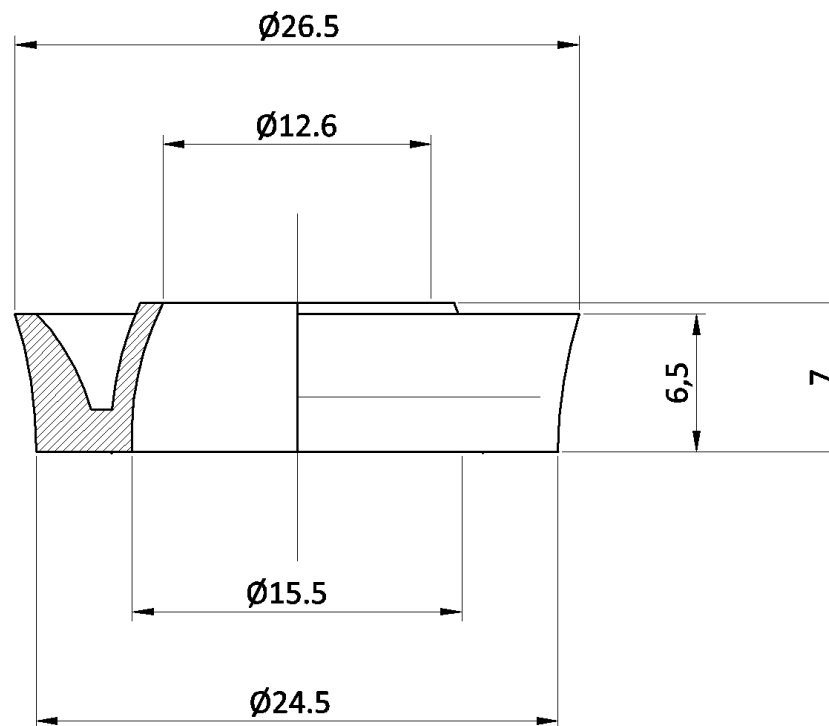
<< Back to all TYPES

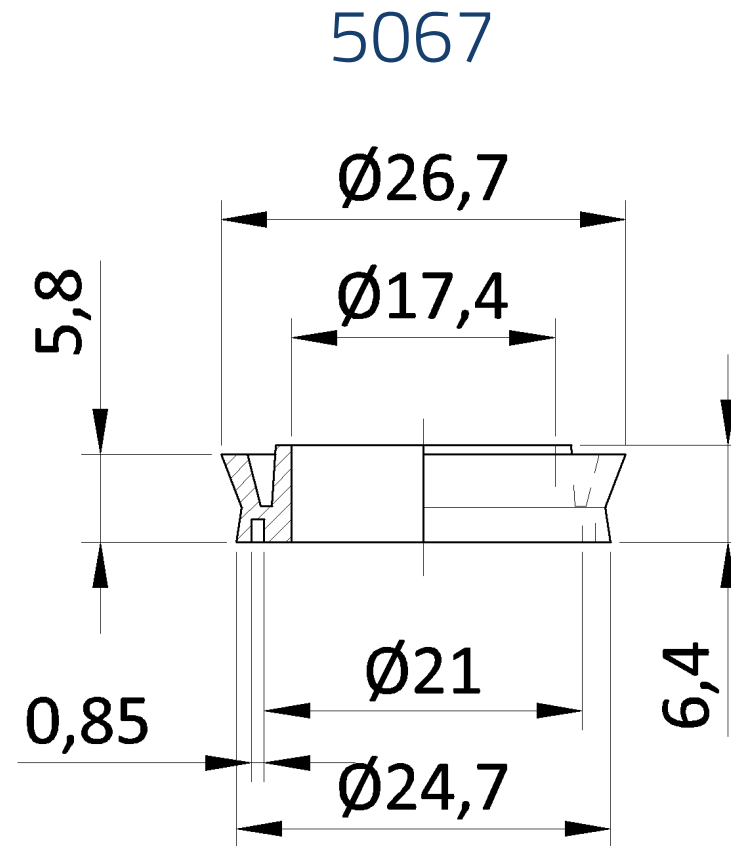
5497

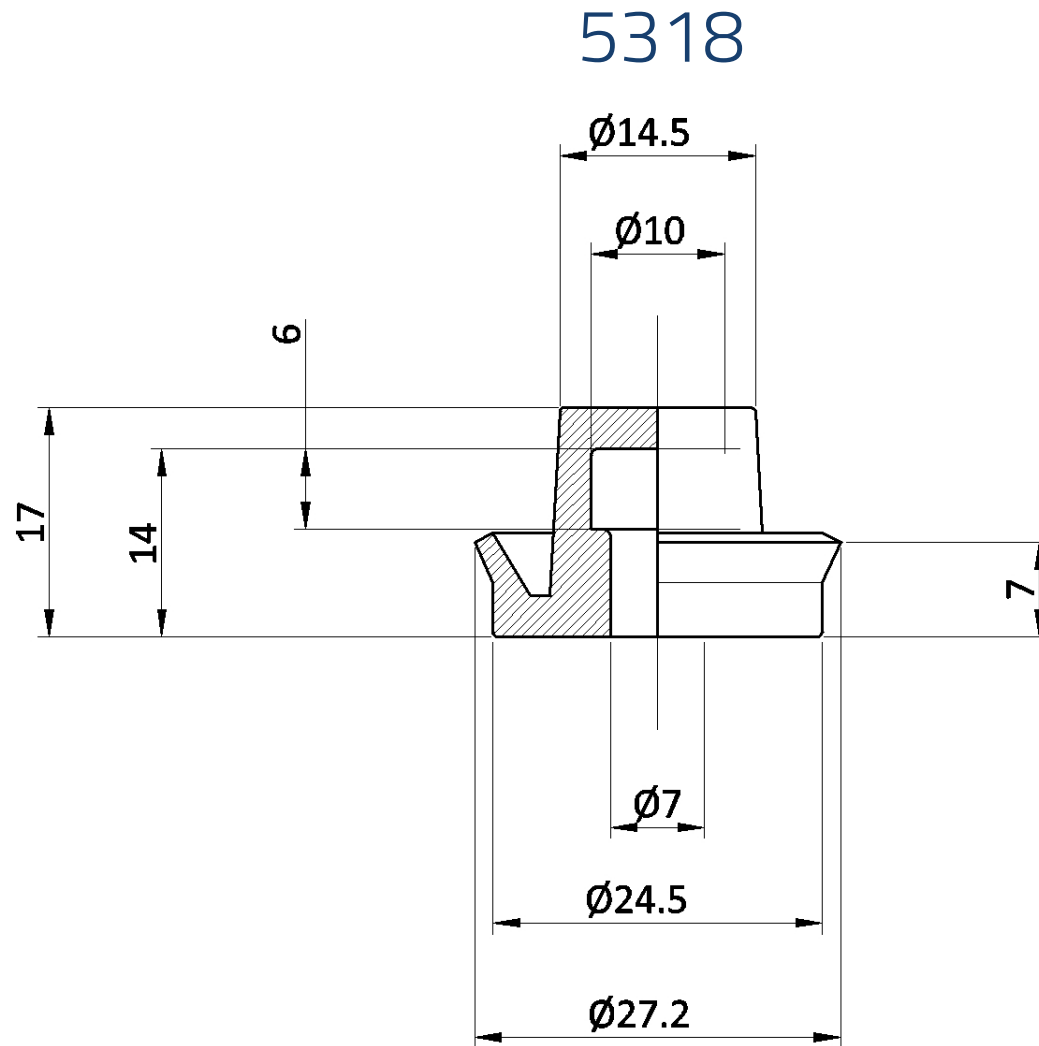


<< Back to all TYPES

5034

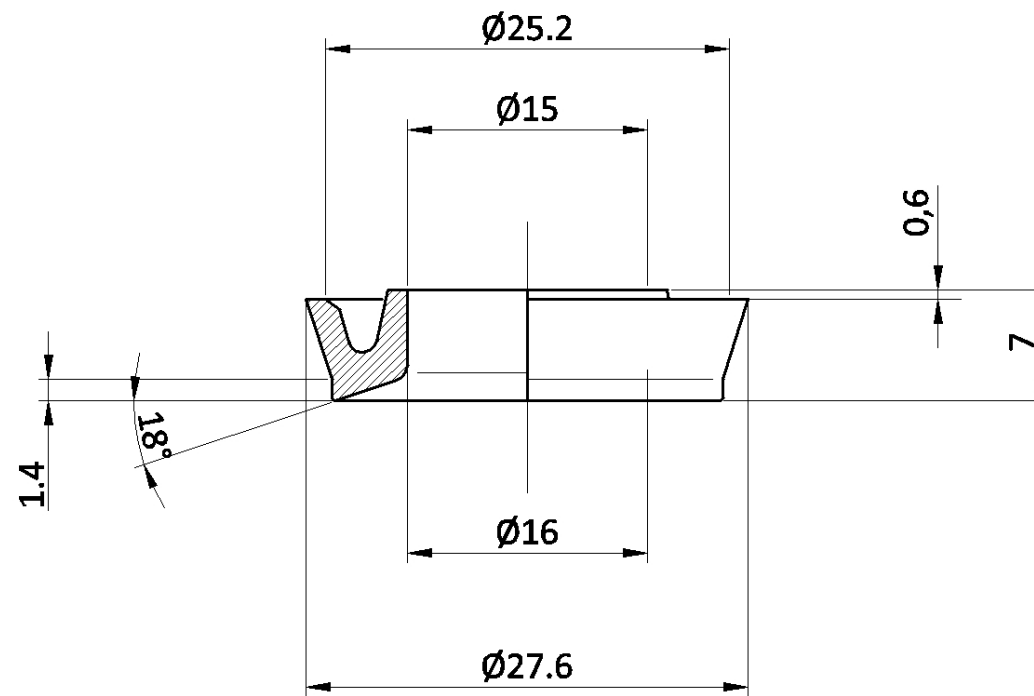


[<< Back to all TYPES](#)

[<< Back to all TYPES](#)

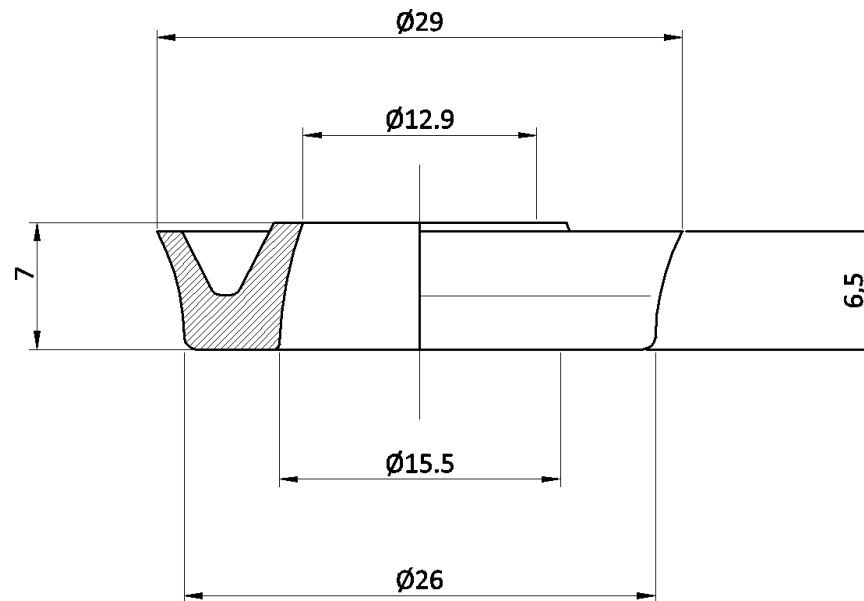
<< Back to all TYPES

5094



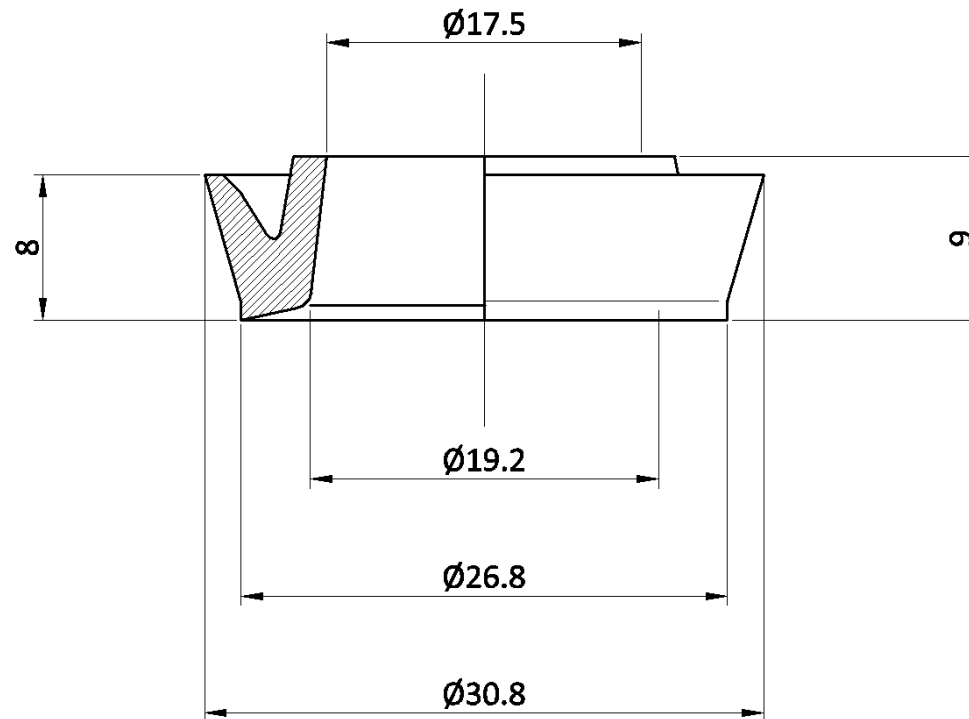
<< Back to all TYPES

5407



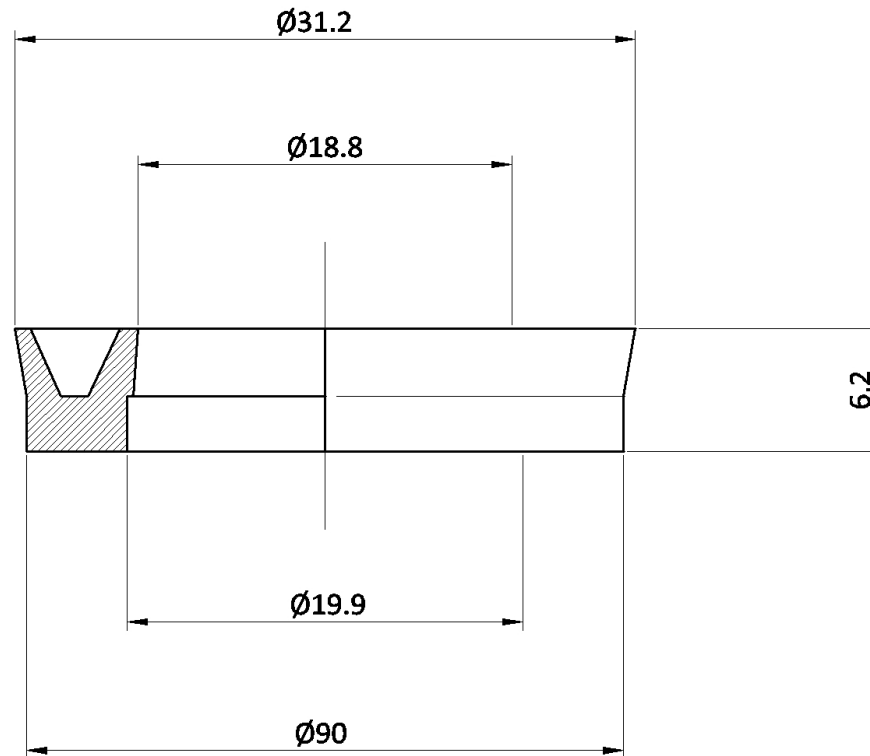
<< Back to all TYPES

5144



<< Back to all TYPES

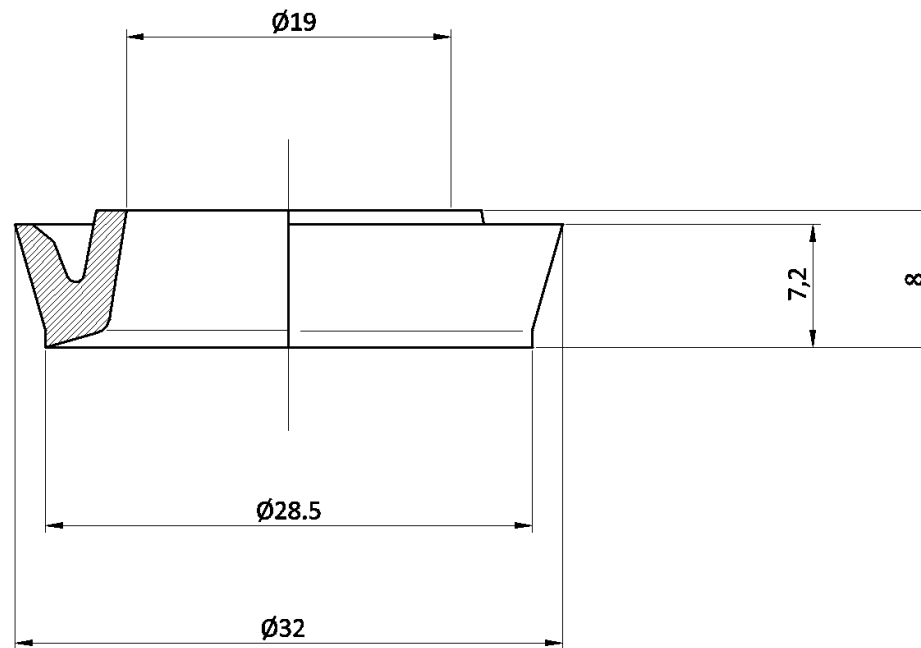
5194





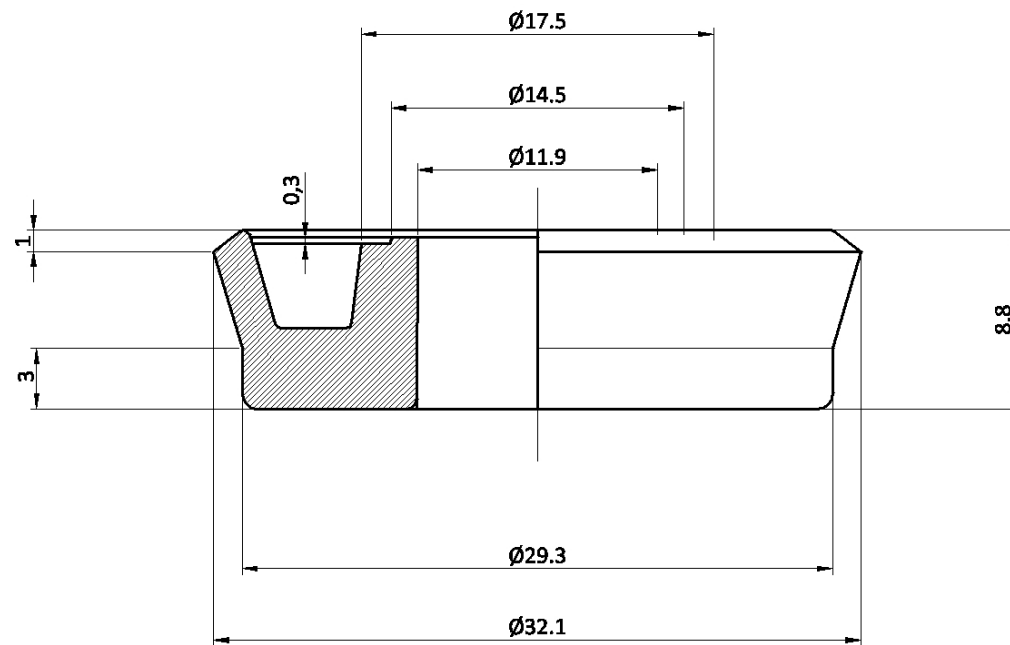
<< Back to all TYPES

5146



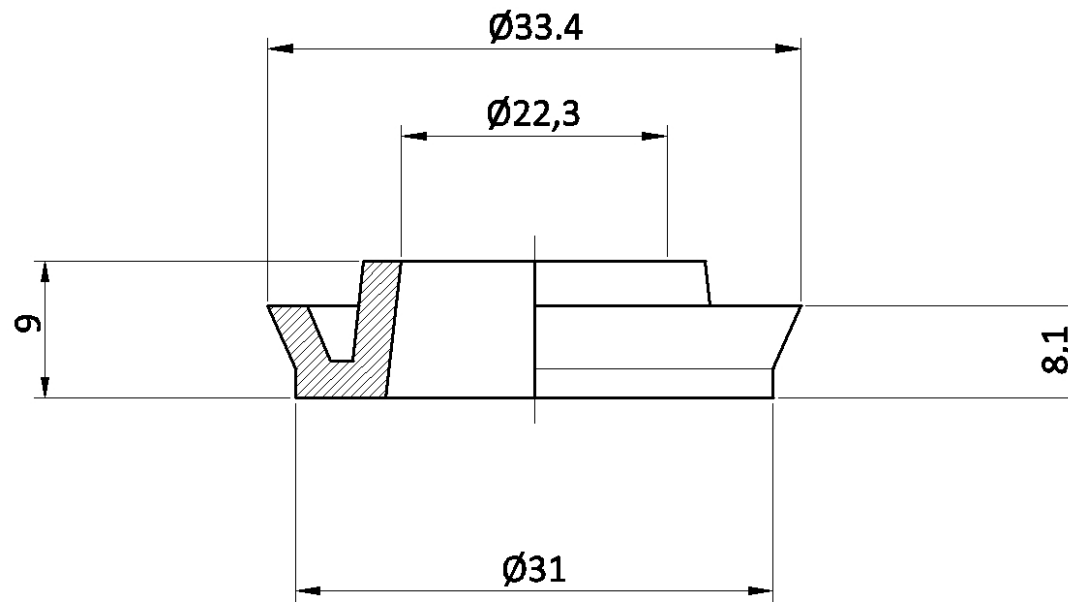
[<< Back to all TYPES](#)

5488



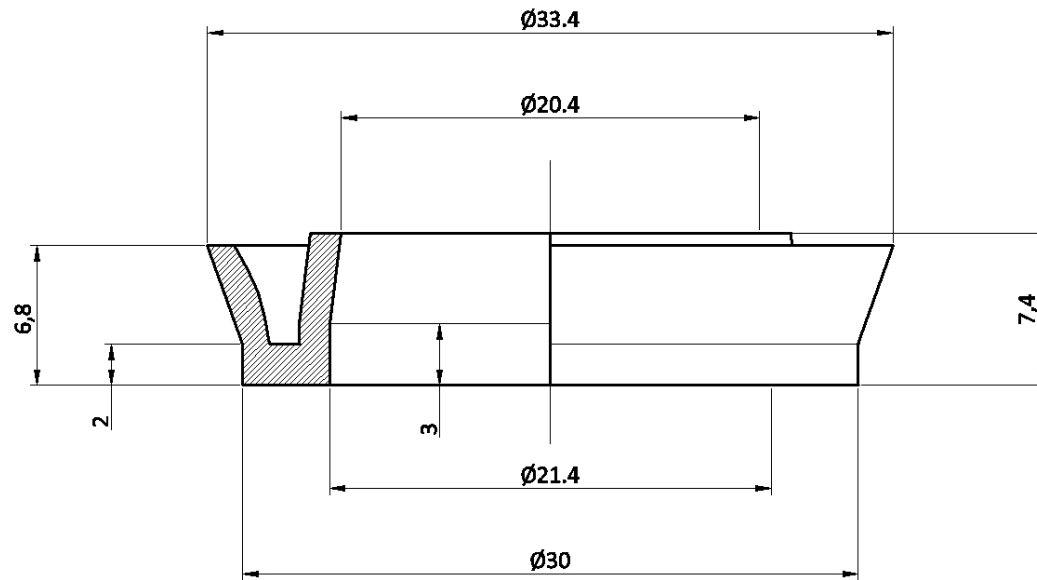
<< Back to all TYPES

5449



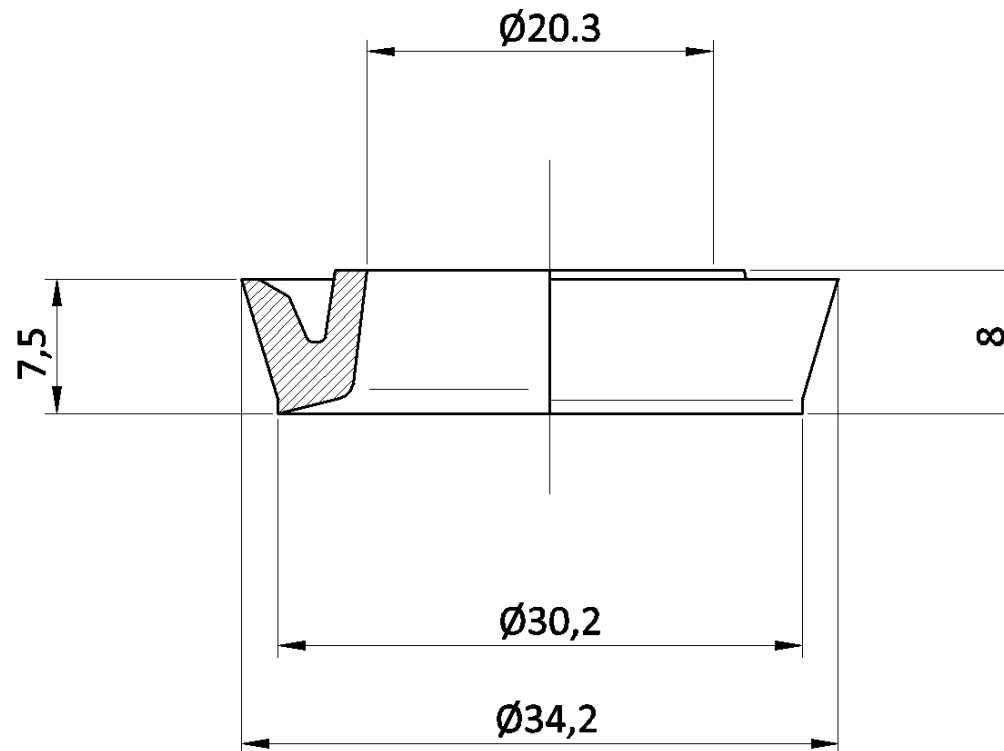
<< Back to all TYPES

5487



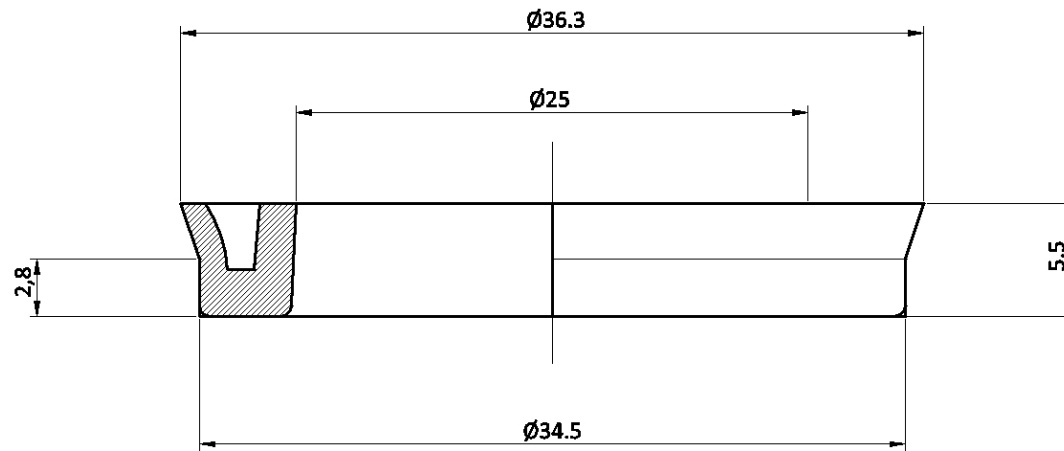
<< Back to all TYPES

5145



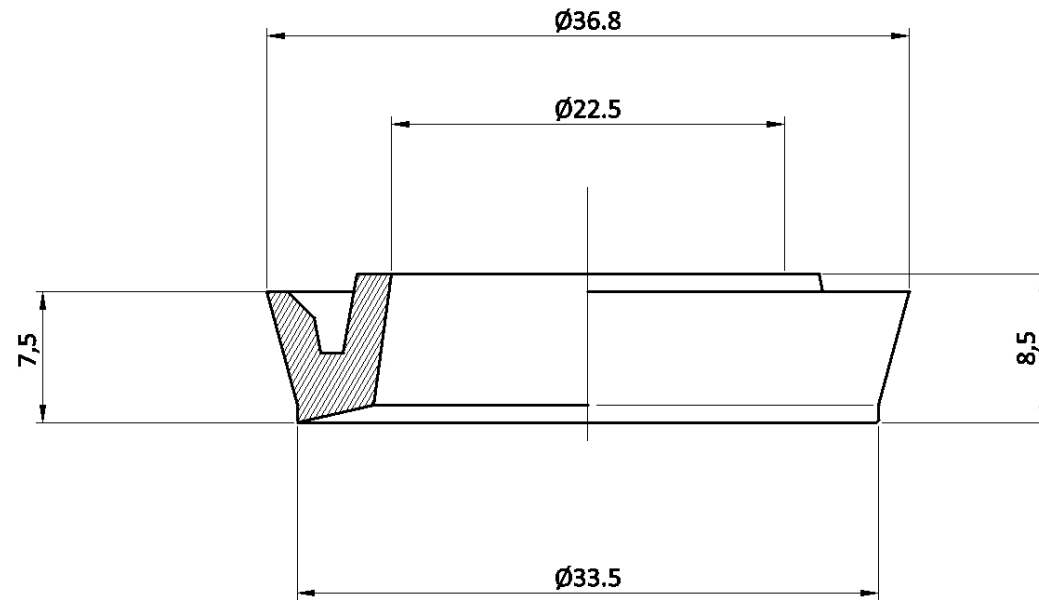
<< Back to all TYPES

5537



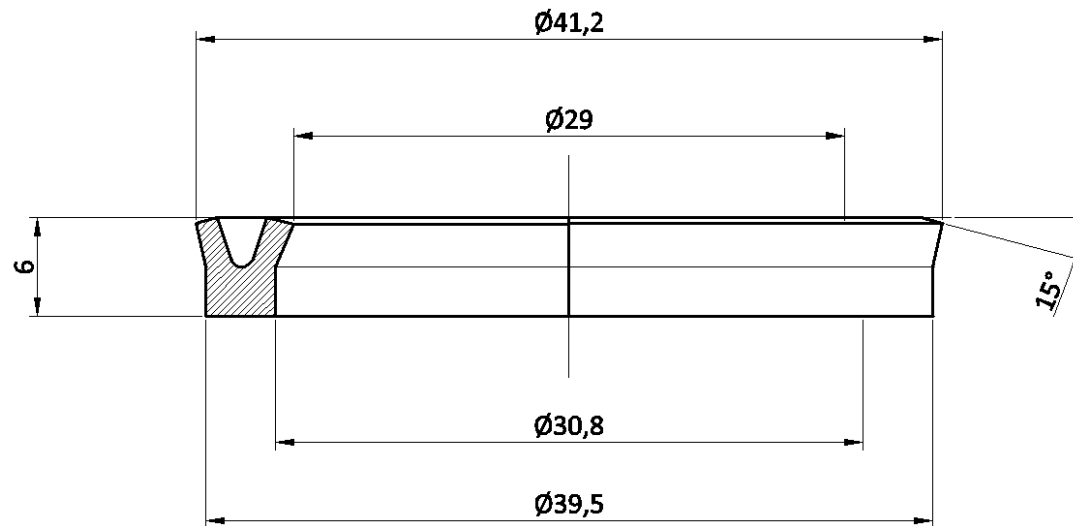
<< Back to all TYPES

5323



<< Back to all TYPES

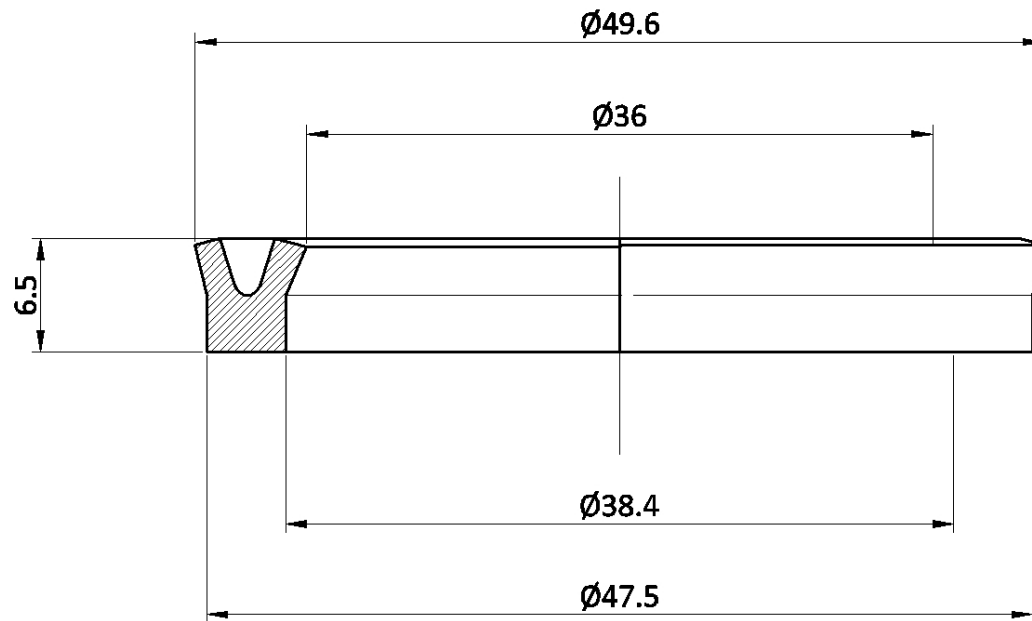
# 5504





<< Back to all TYPES

5505



Caps



Click on the type of intended **cap** to access the thumbnails.

Bell-shaped caps

Dust caps

Disk brake boots

Protection caps

Pipettes - other caps

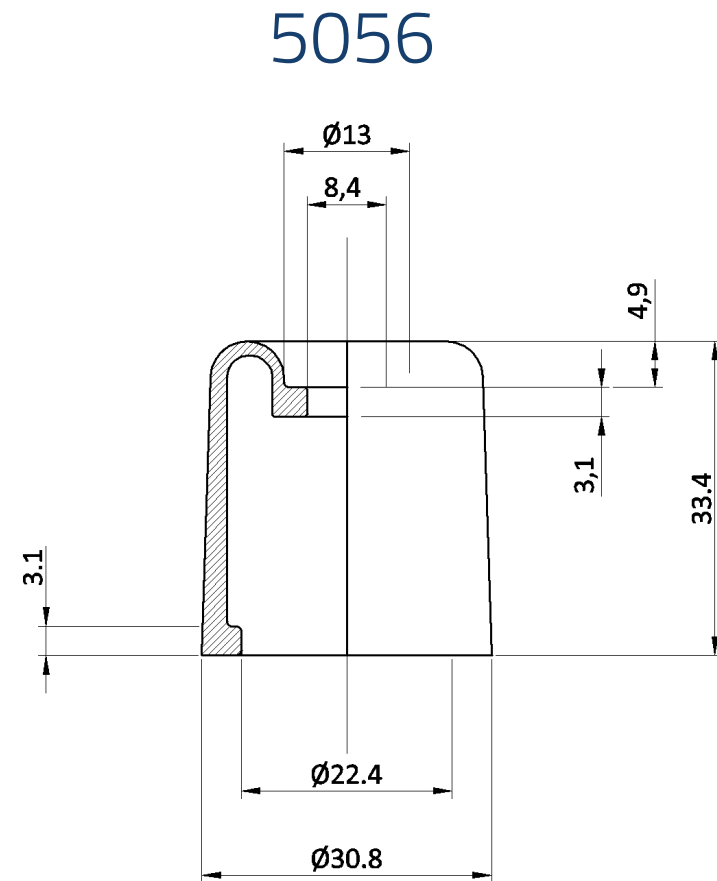
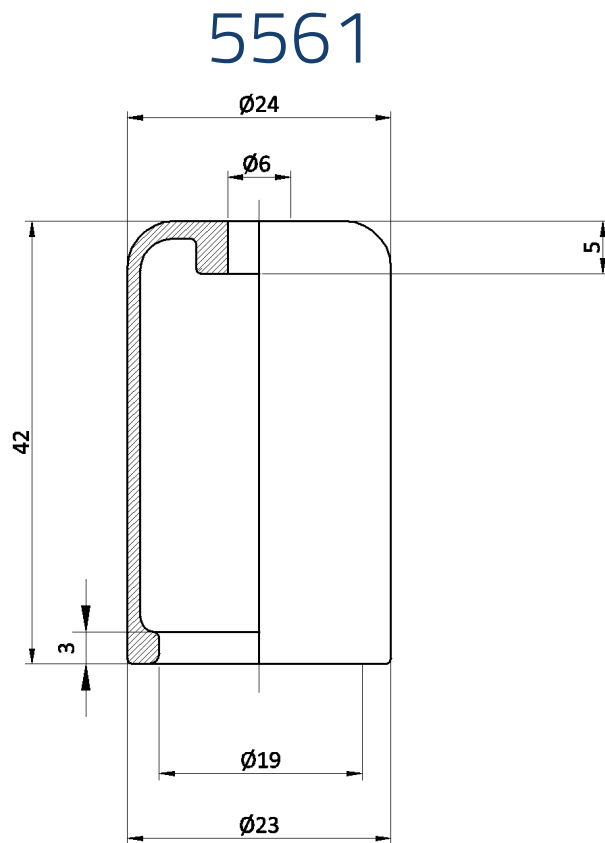


## Bell-shaped caps

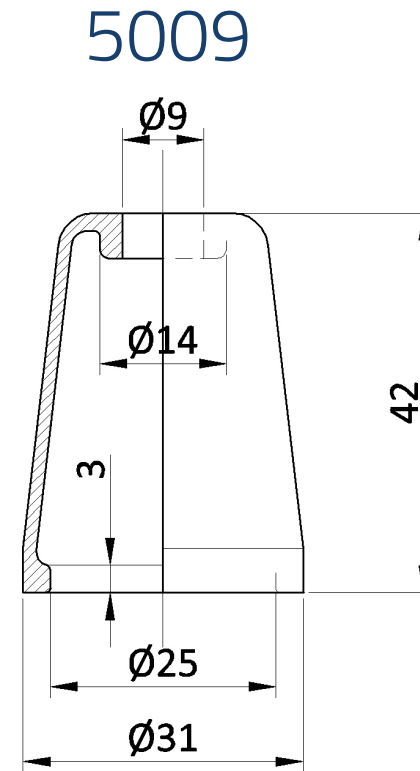
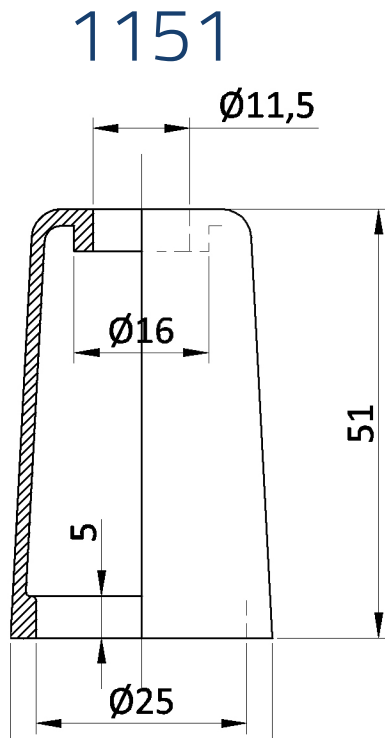


<< Back to all TYPES

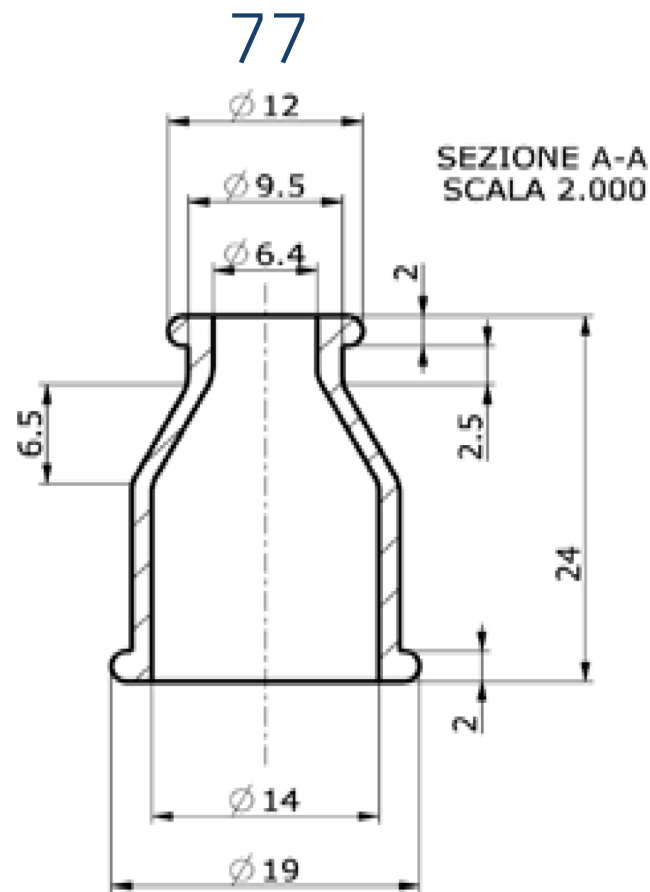
The thumbnails are ordered by increasing size of outer diameter.



<< Back to all TYPES

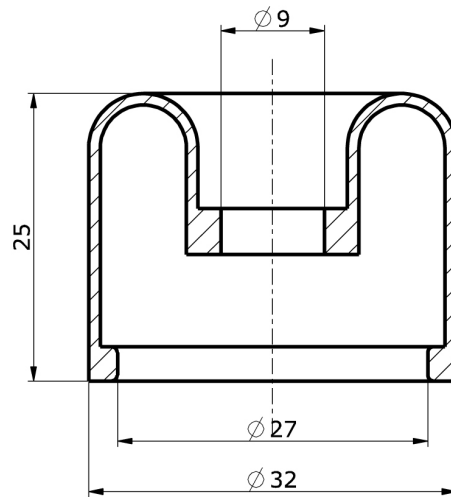


<< Back to all TYPES

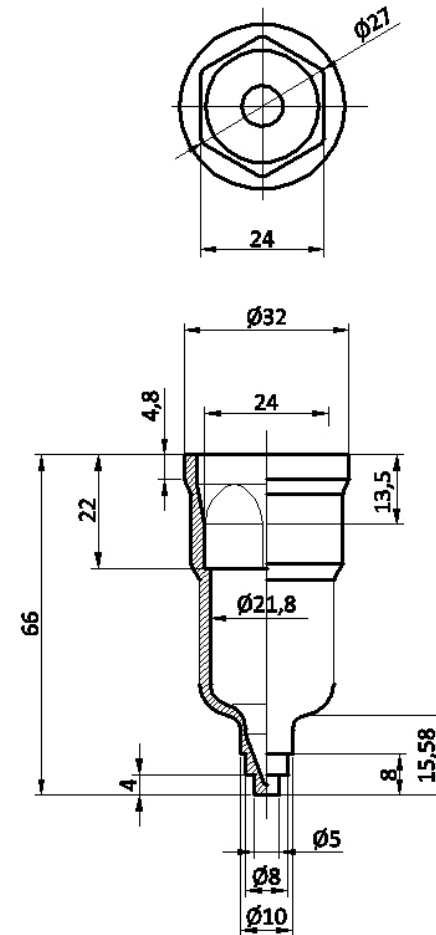


<< Back to all TYPES

5515



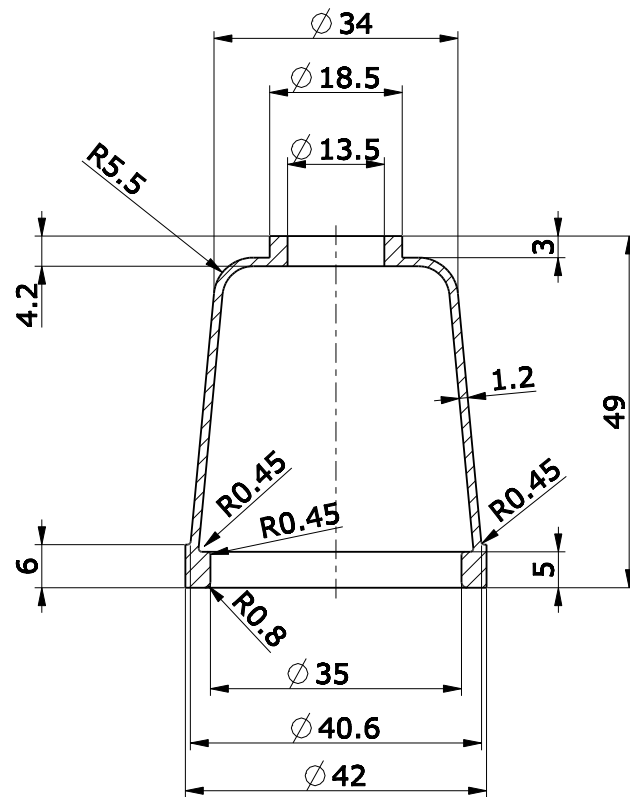
5614



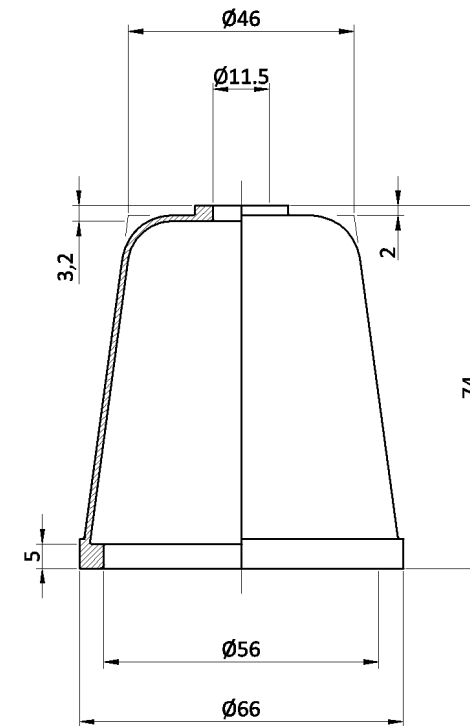


<< Back to all TYPES

5084

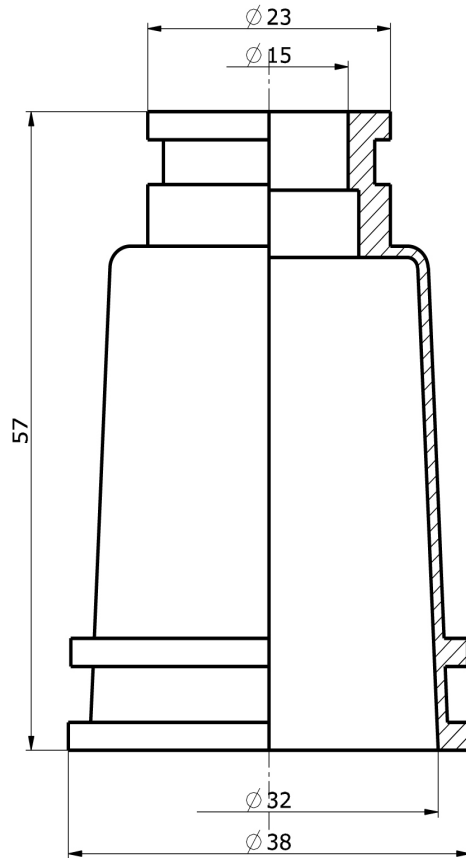


5077

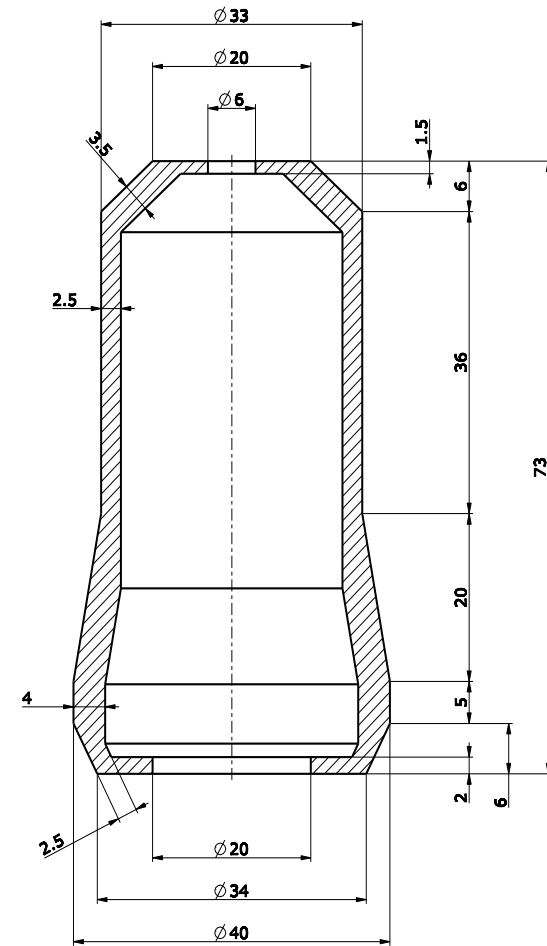


<< Back to all TYPES

5120



7546

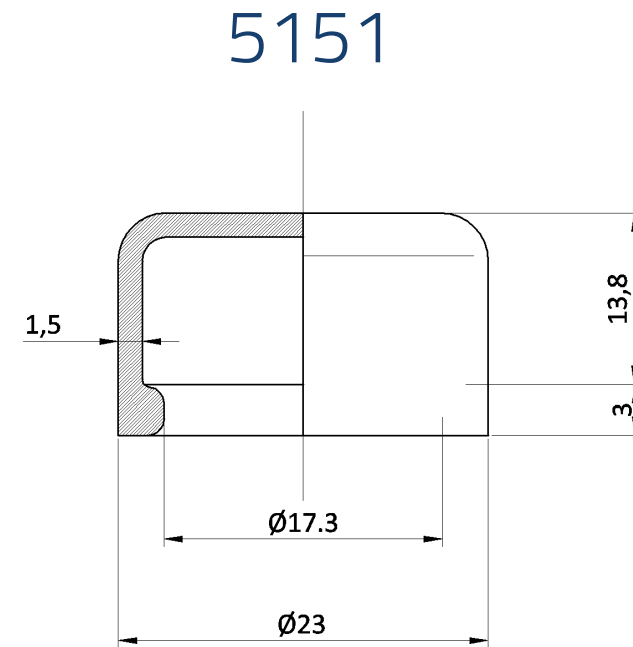
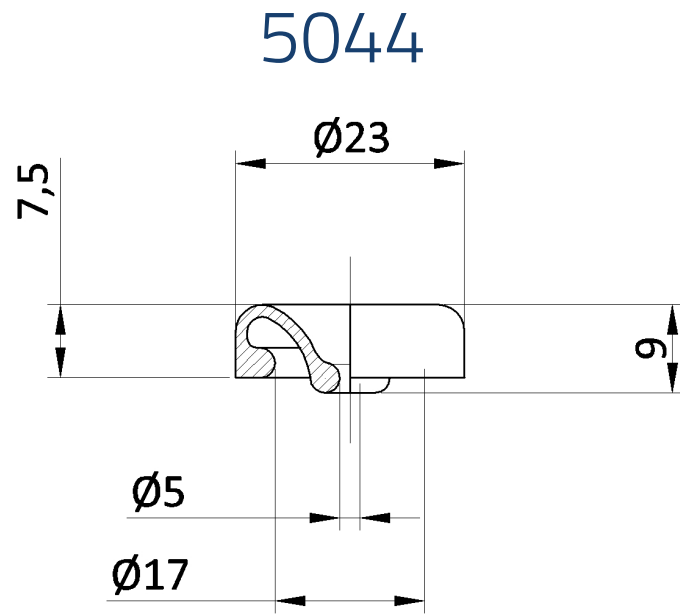


SEZIONE A-A  
SCALA 2.000

Dust caps

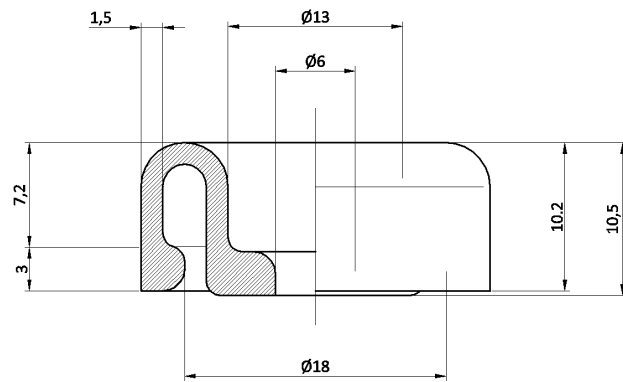


<< Back to all TYPES

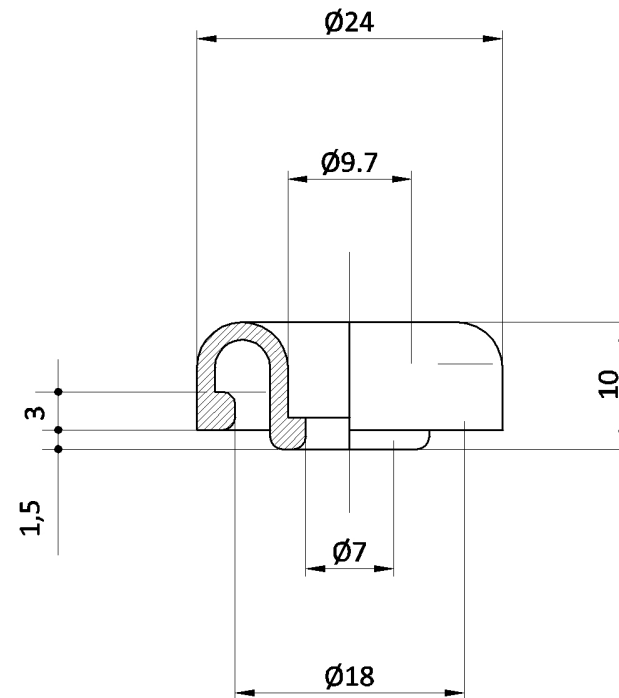


<< Back to all TYPES

5330

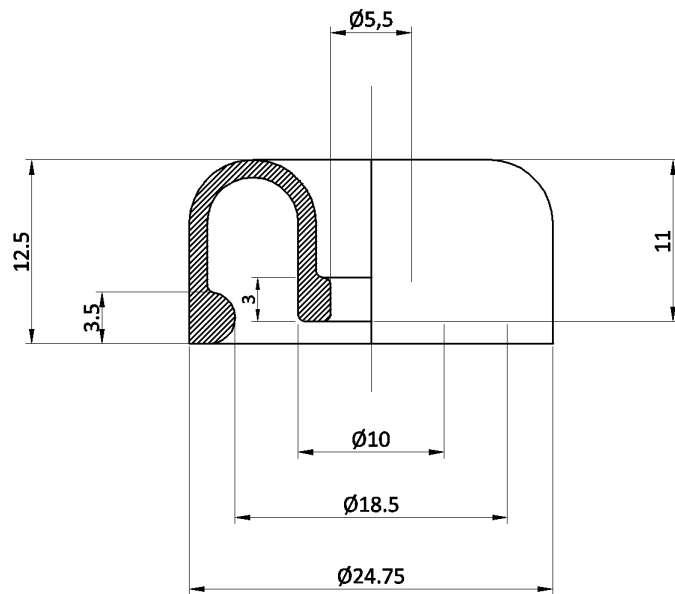


5344

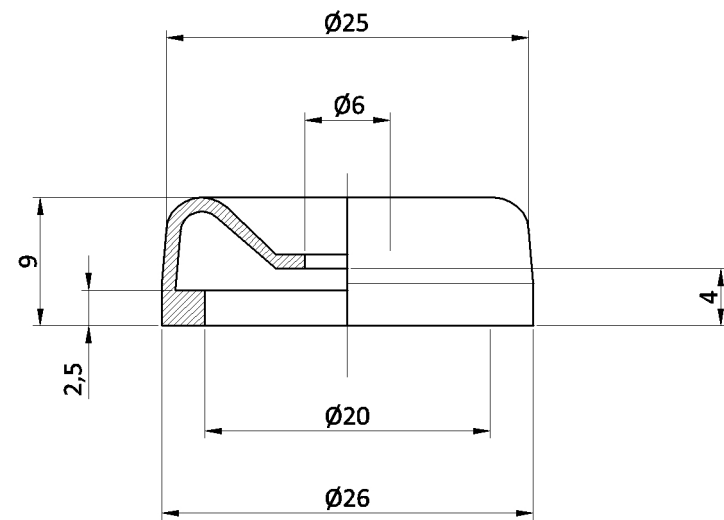


<< Back to all TYPES

5560

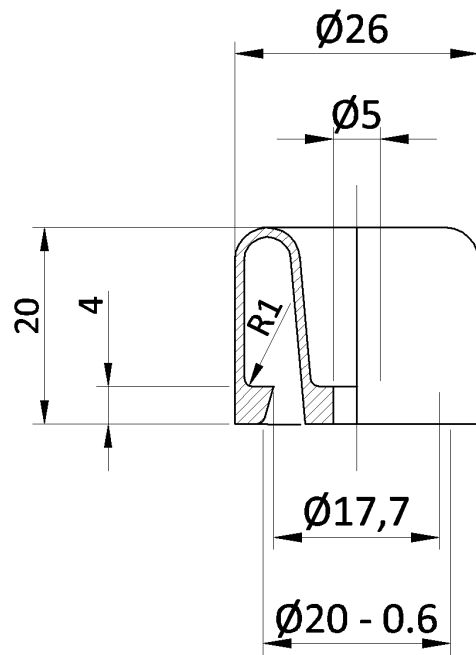


5460

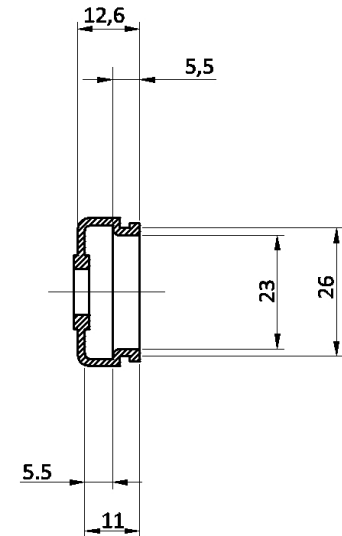
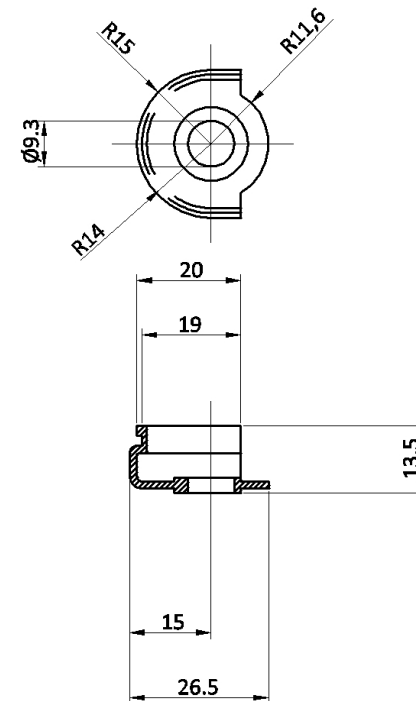


<< Back to all TYPES

5495

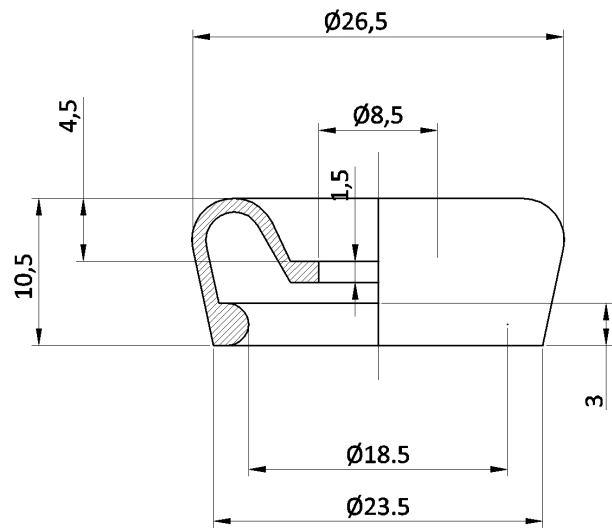


5138

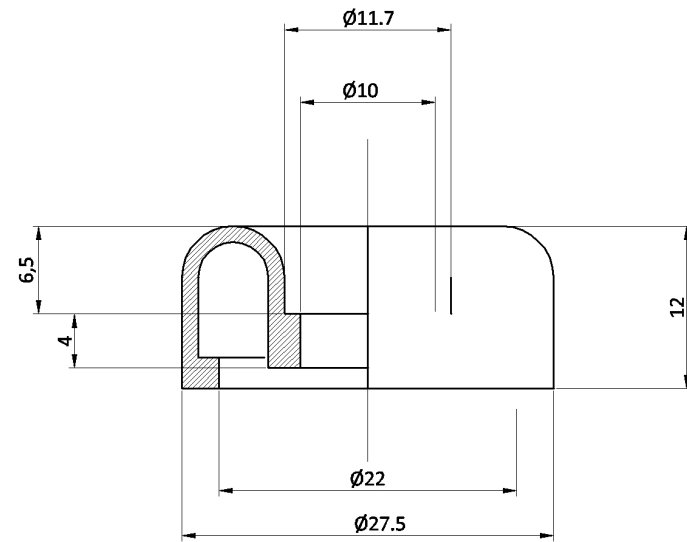


<< Back to all TYPES

5455



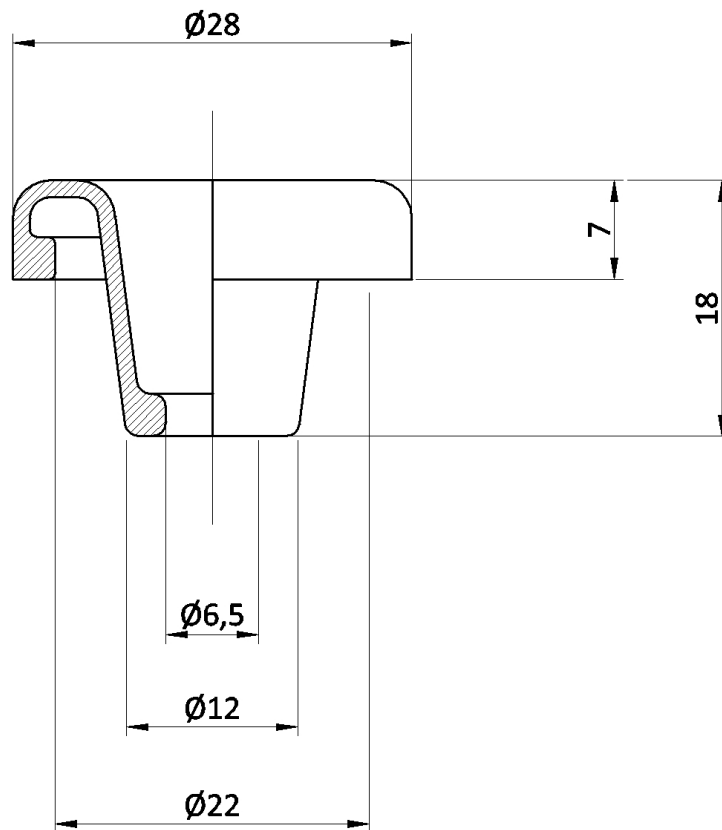
5135



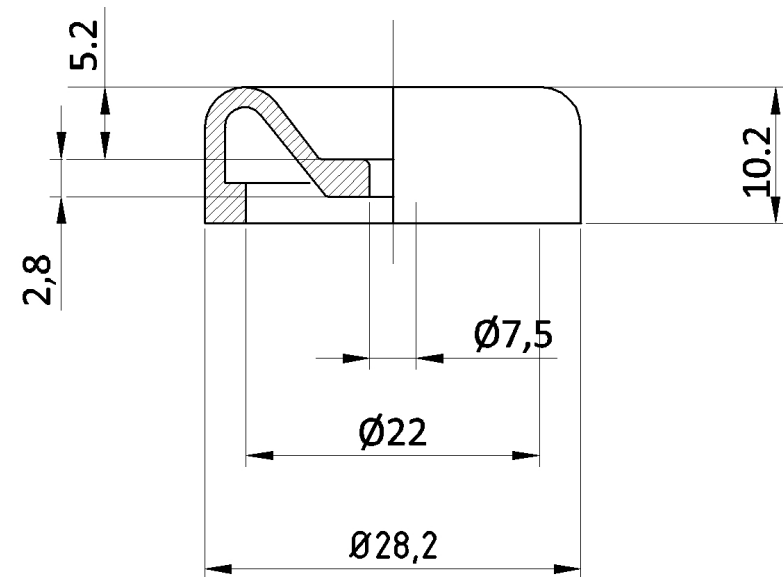


<< Back to all TYPES

5262

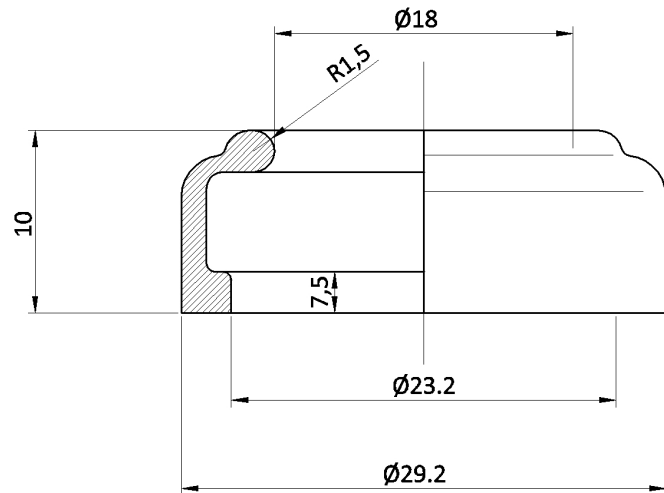


5366

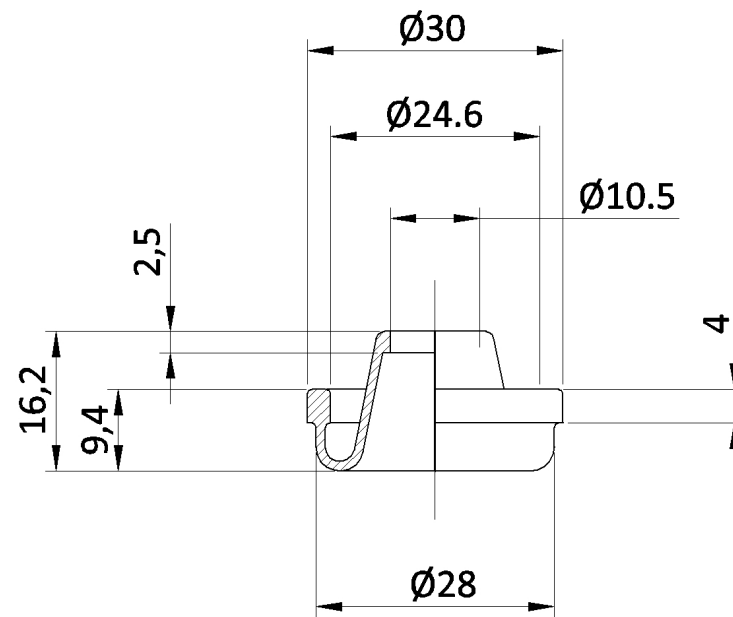


<< Back to all TYPES

5027

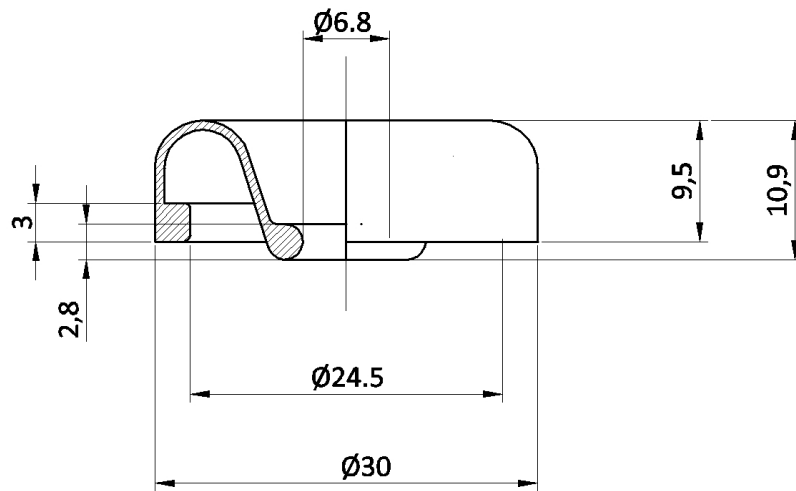


216

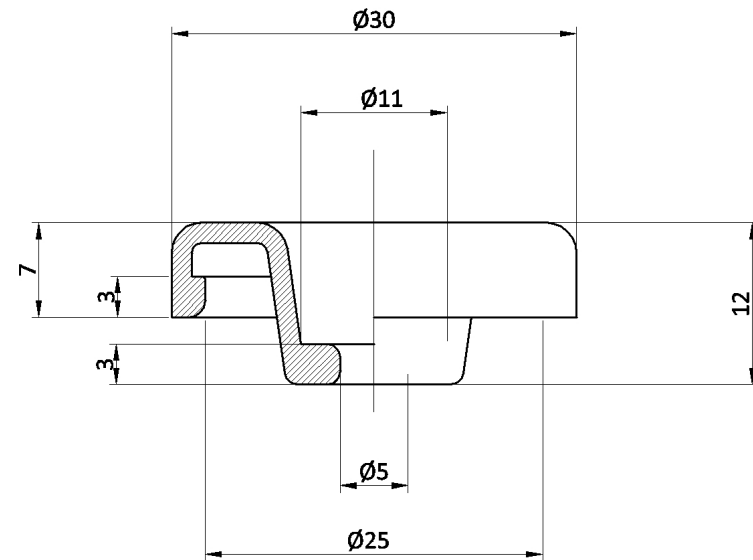


<< Back to all TYPES

5274

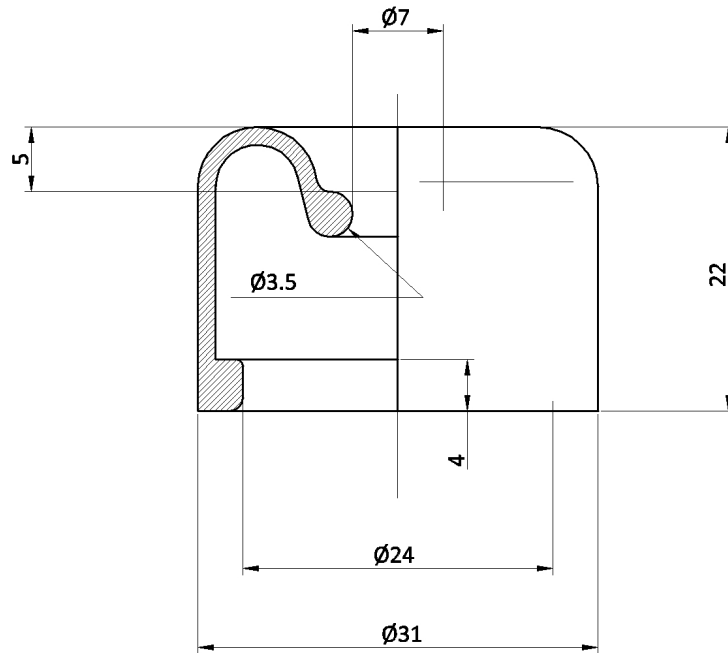


5321

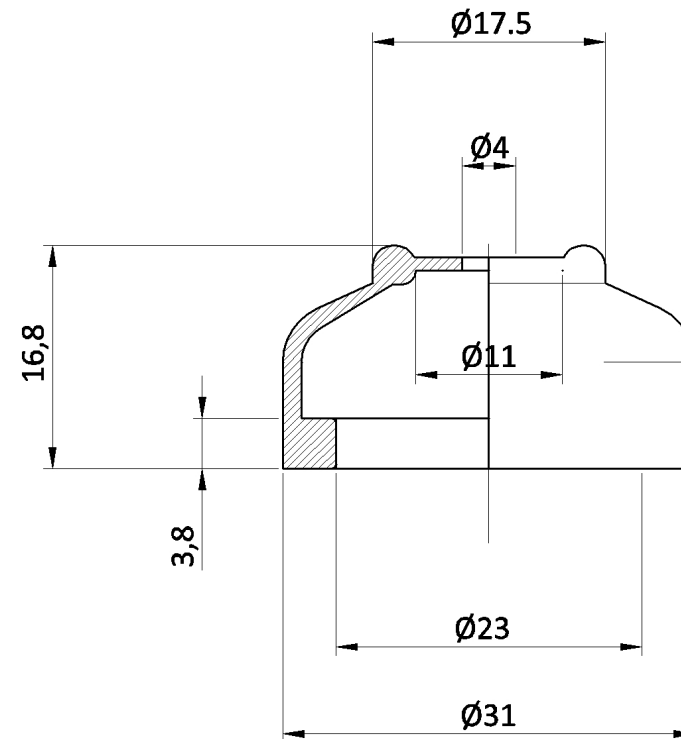


<< Back to all TYPES

5106

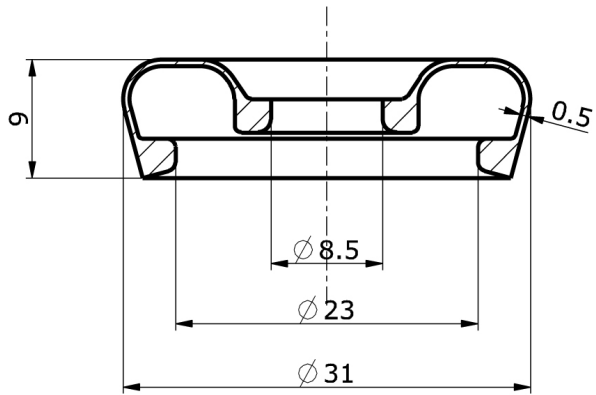


5137

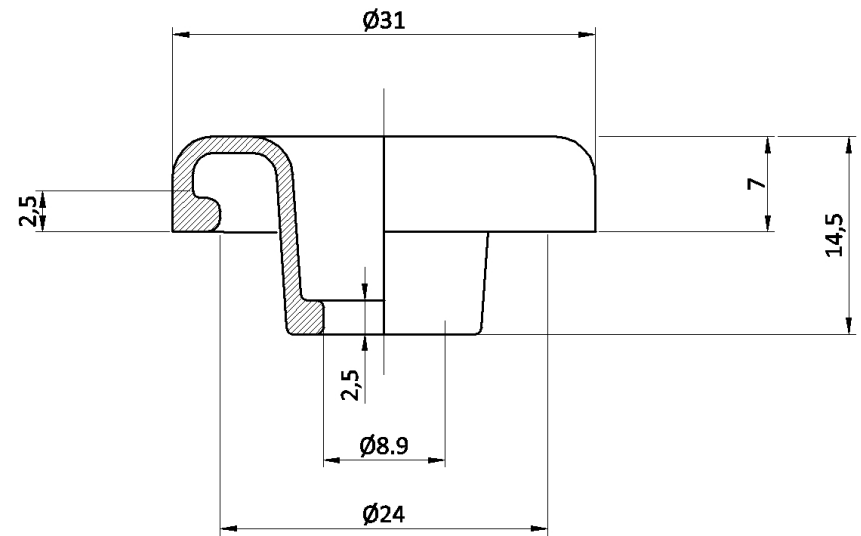


<< Back to all TYPES

5426

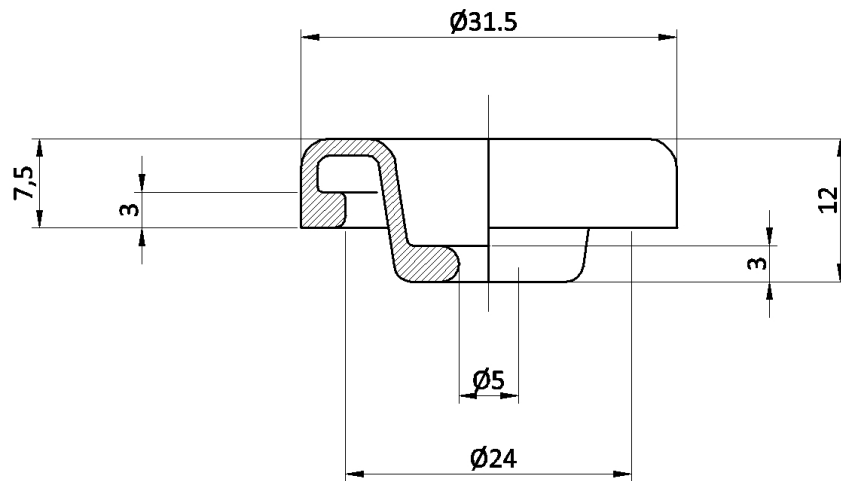


5507

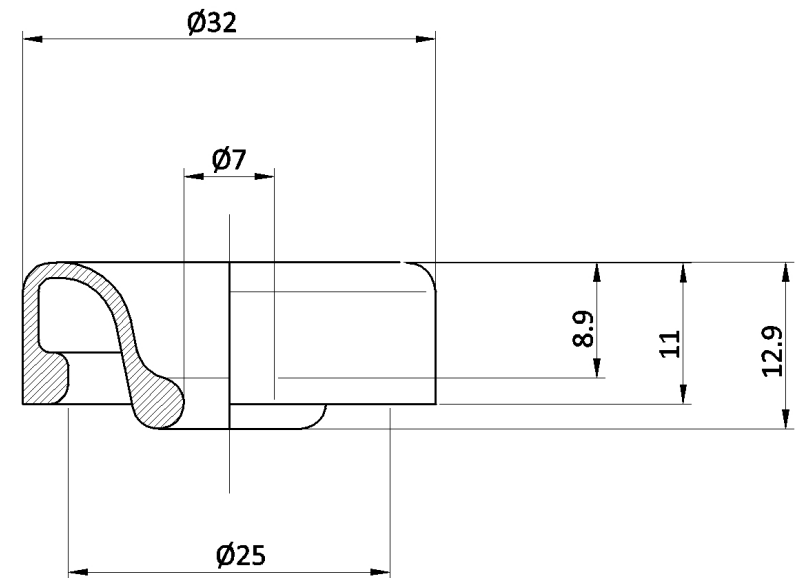


<< Back to all TYPES

5543

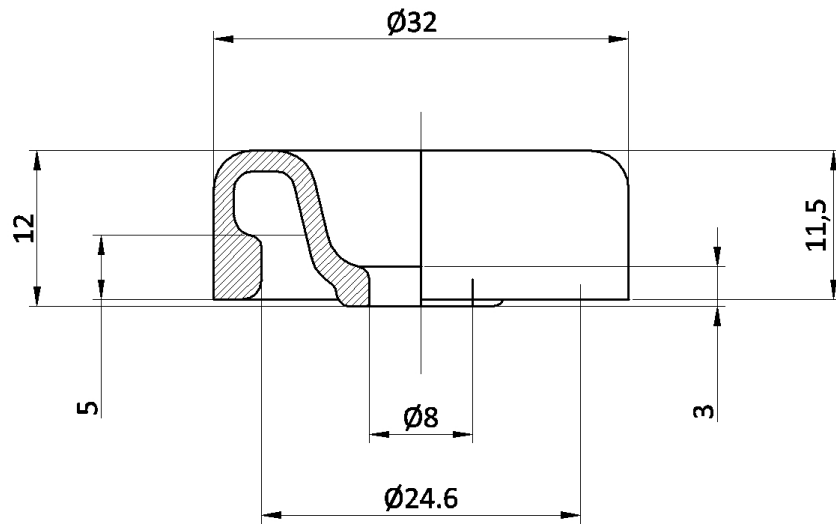


5095

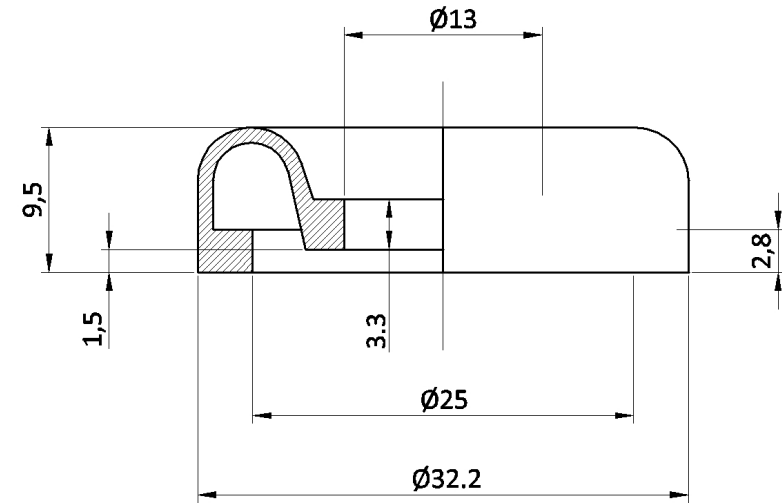


<< Back to all TYPES

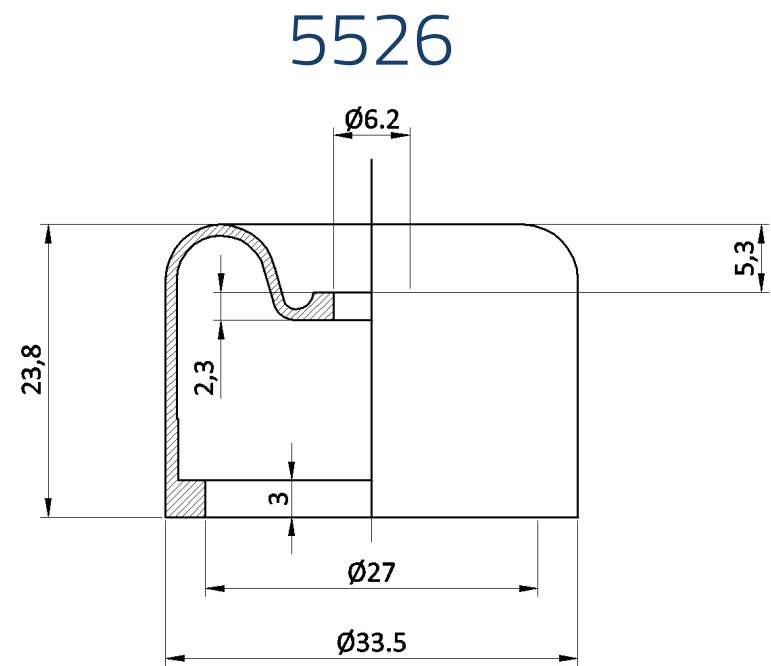
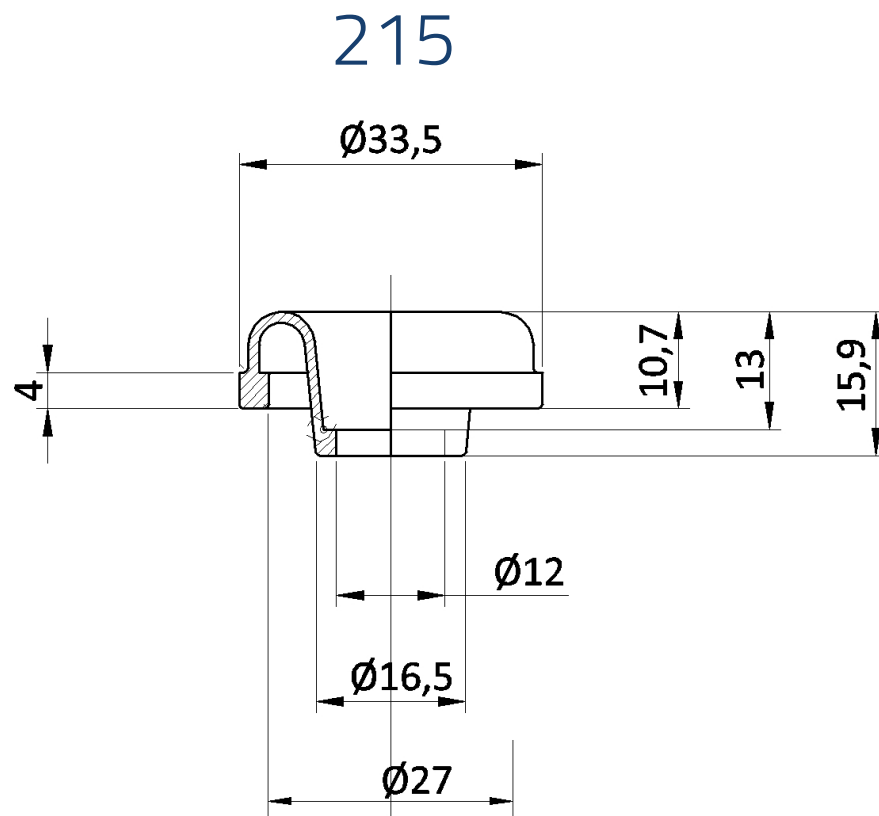
5268



5278



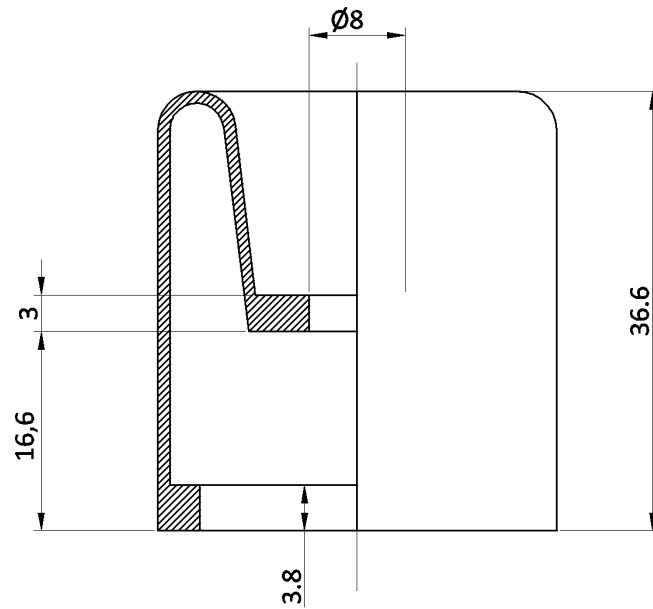
<< Back to all TYPES



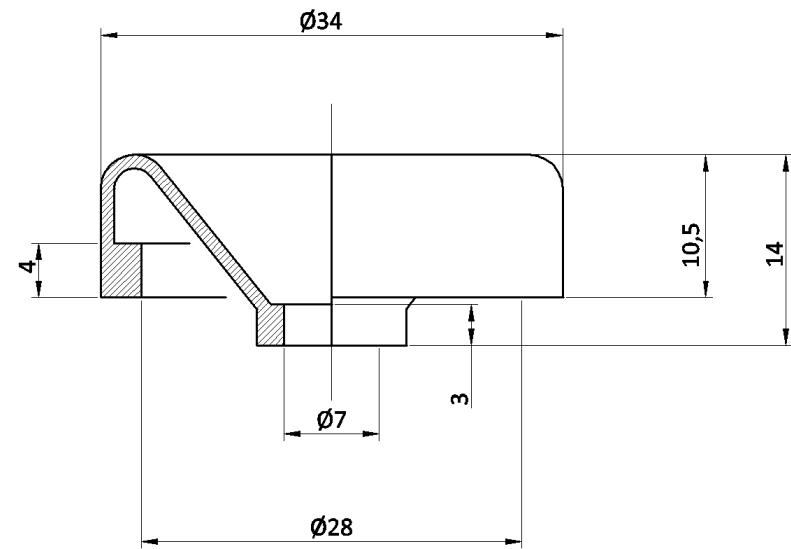


<< Back to all TYPES

5155

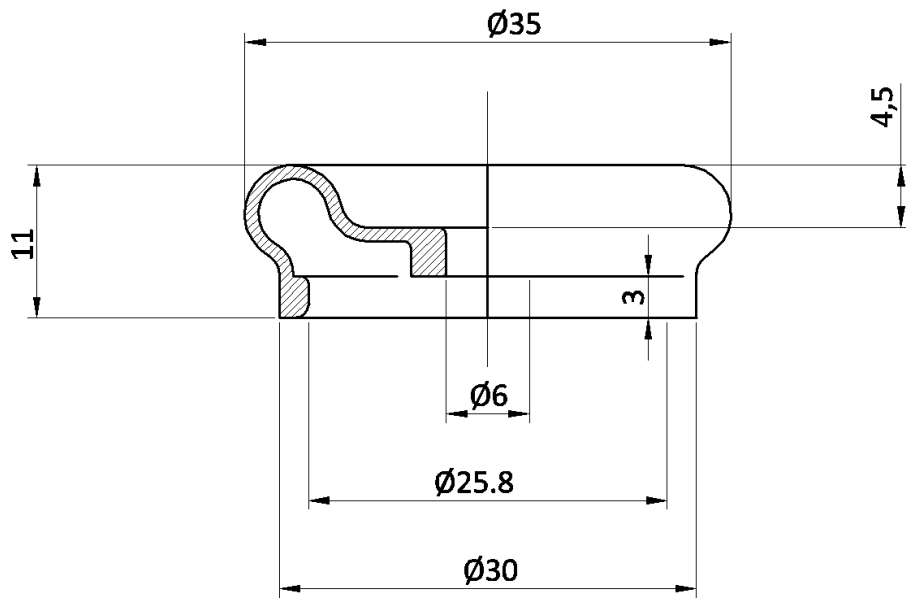


5459

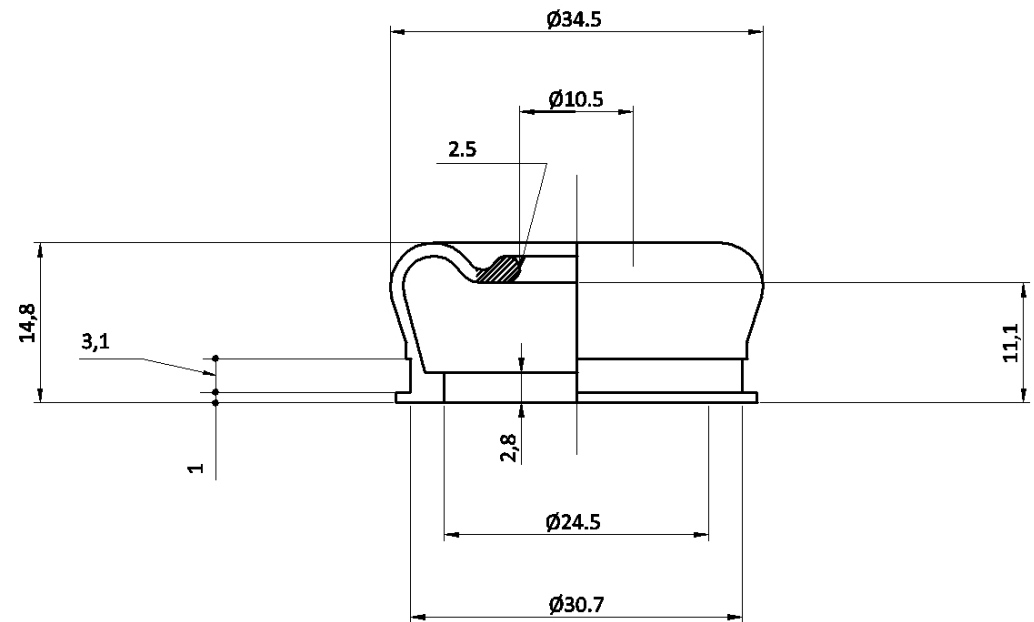


<< Back to all TYPES

5454

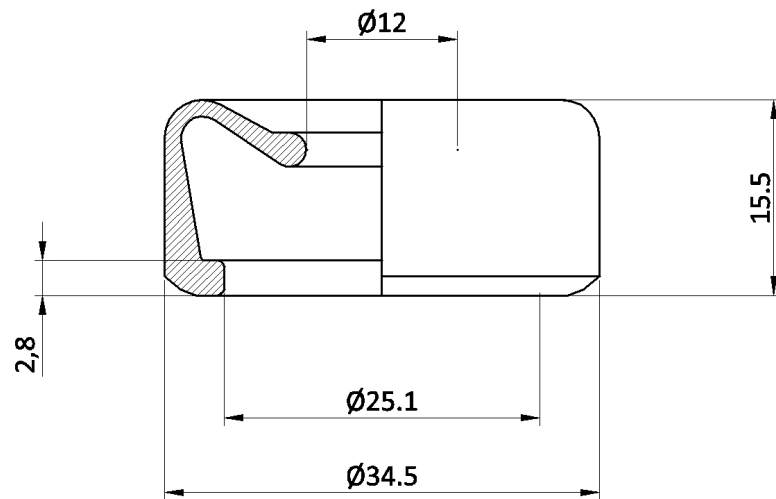


5078

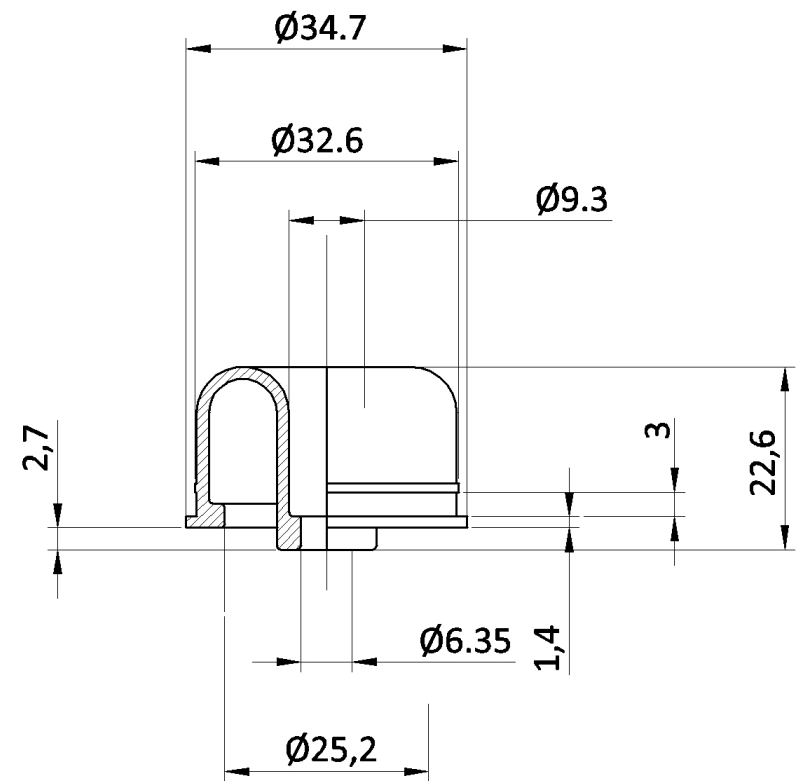


<< Back to all TYPES

5317

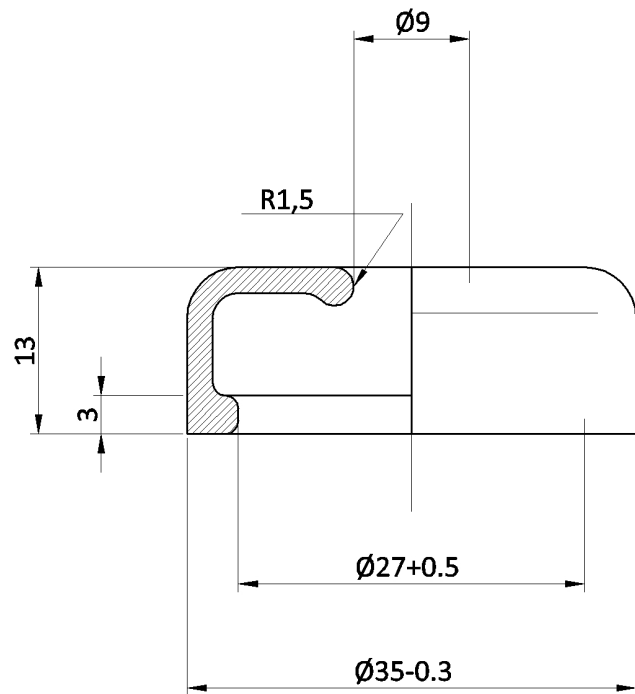


5074

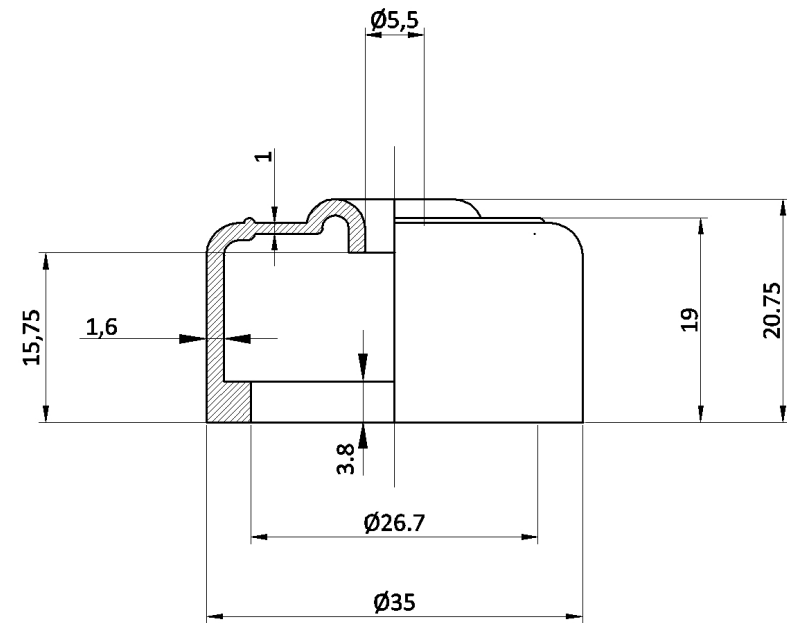


<< Back to all TYPES

5010

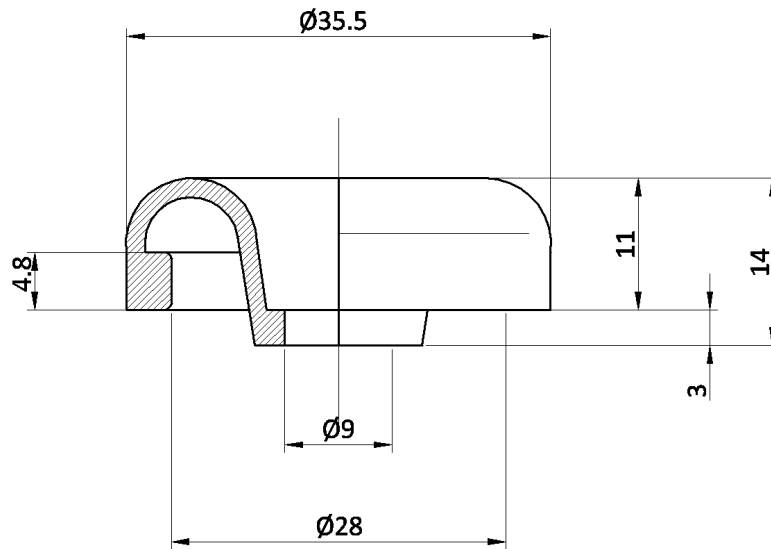


5132

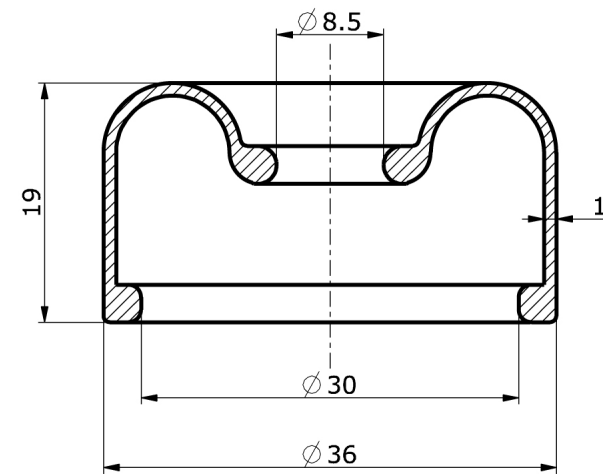


<< Back to all TYPES

5328

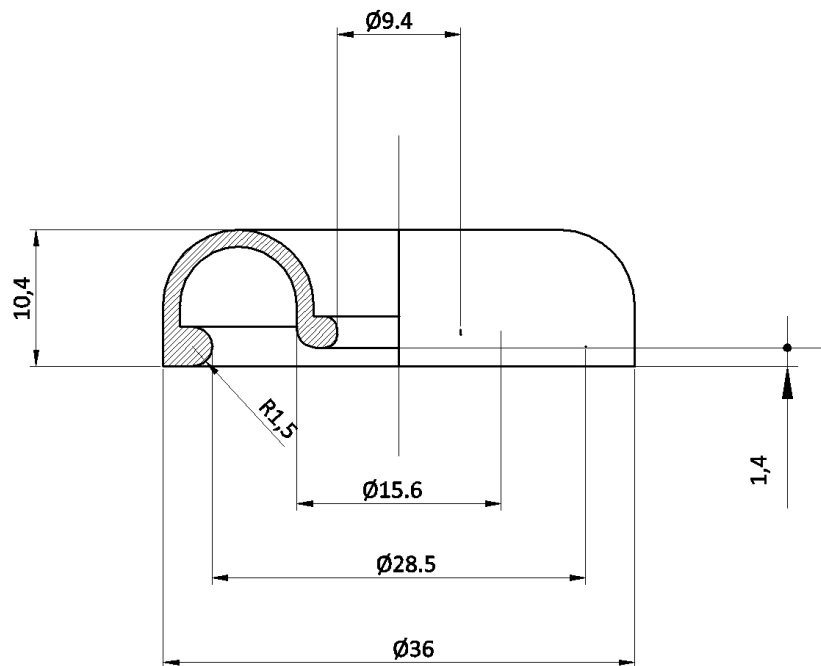


5062

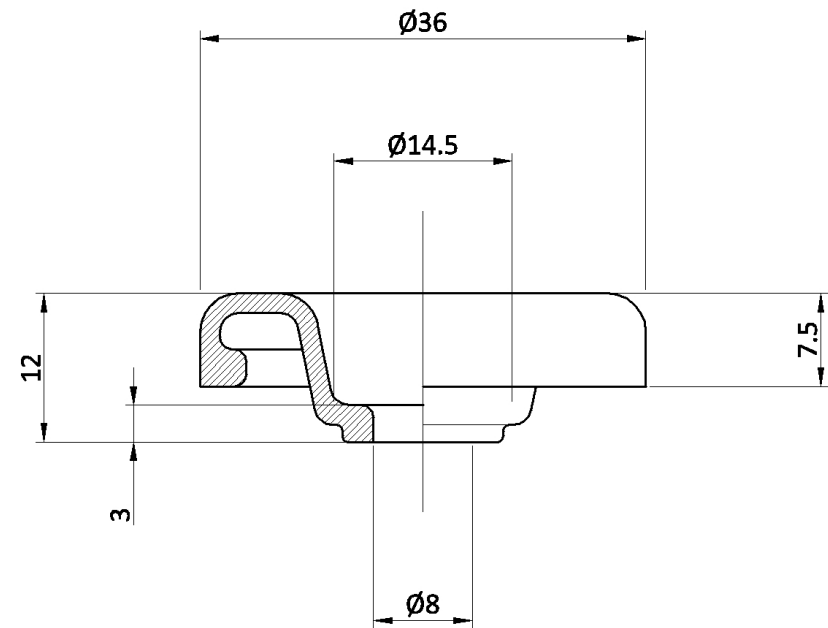


<< Back to all TYPES

5245

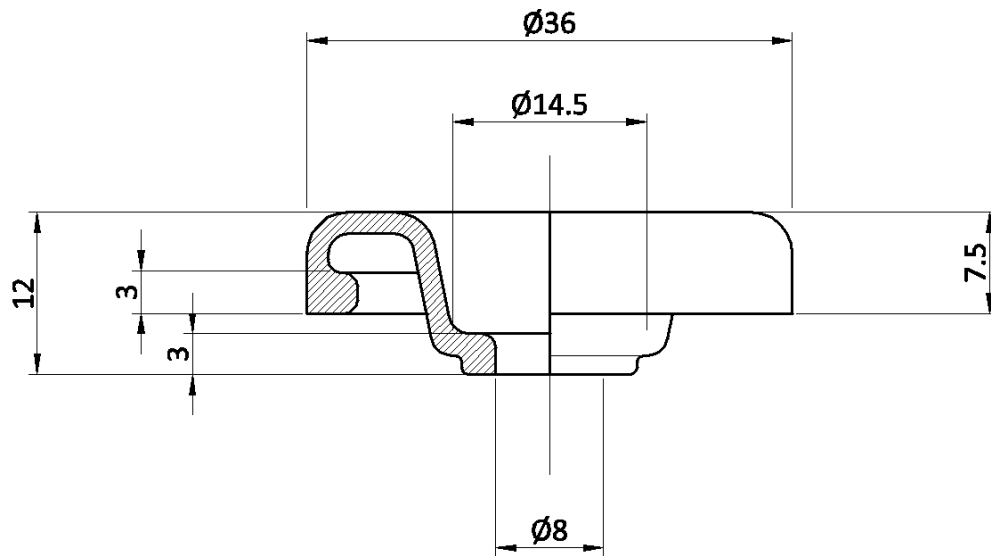


5325

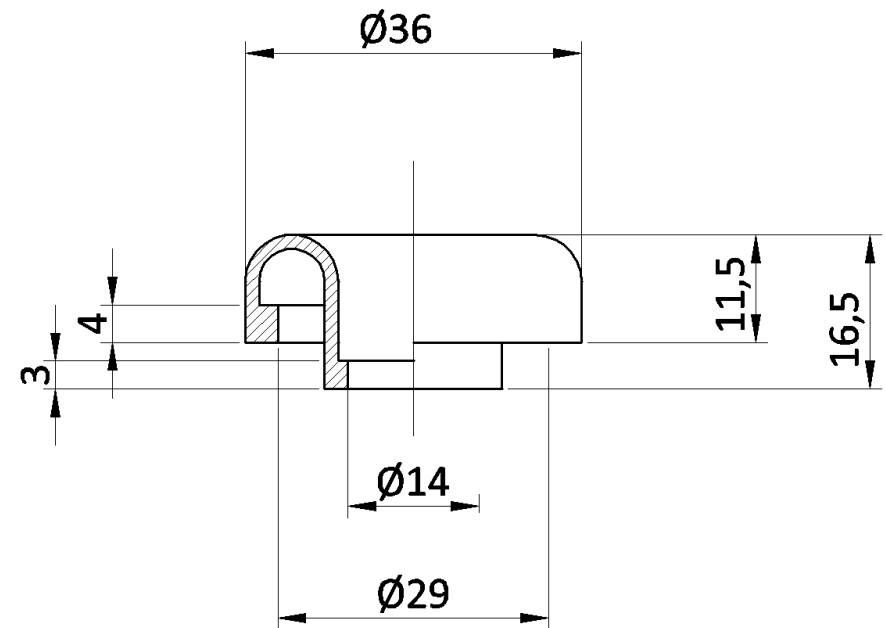


<< Back to all TYPES

5342

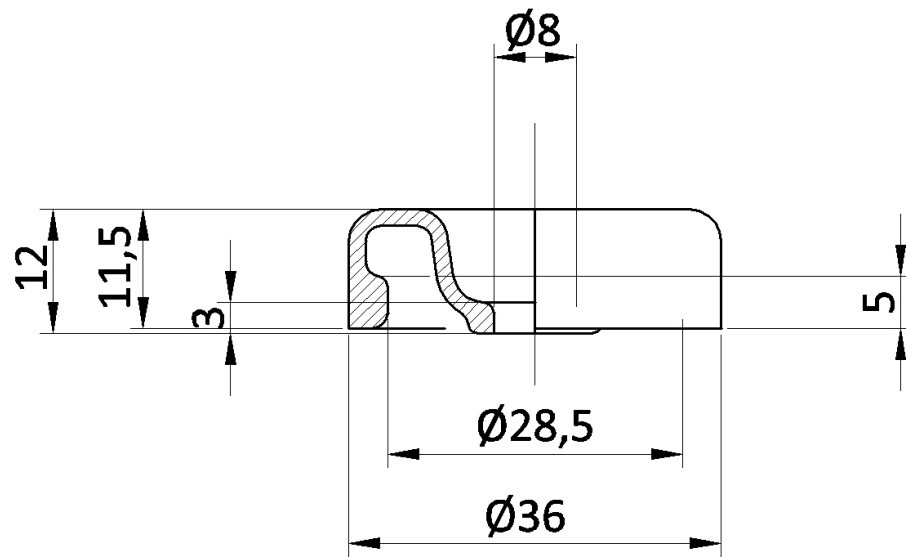


5465

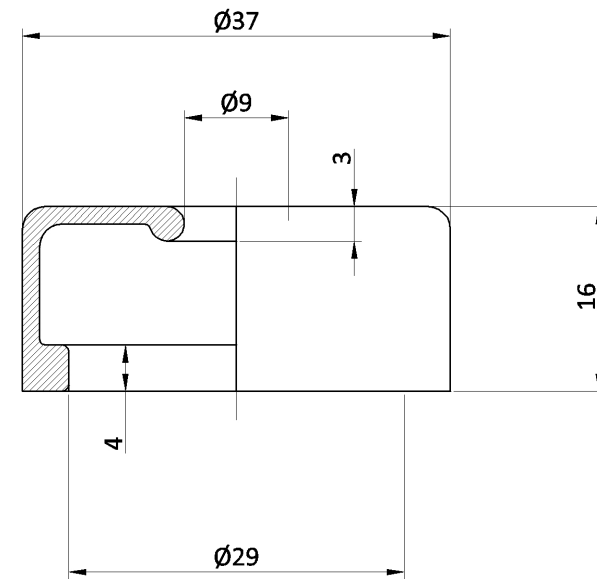


<< Back to all TYPES

5511



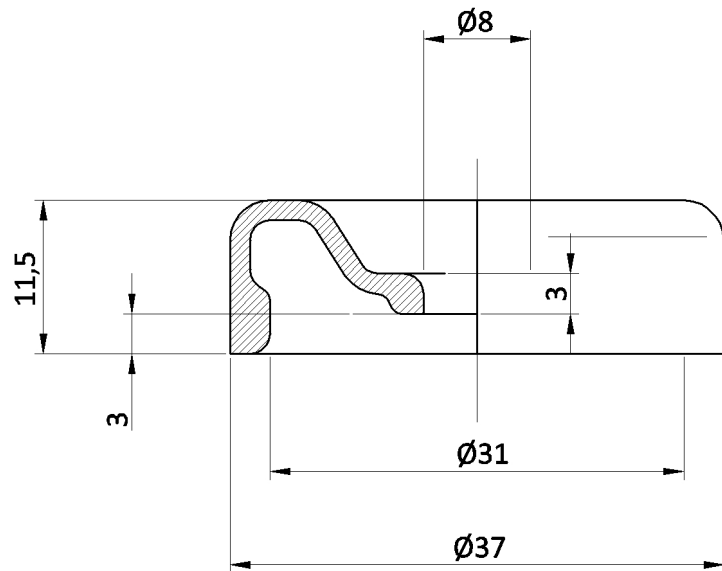
5075



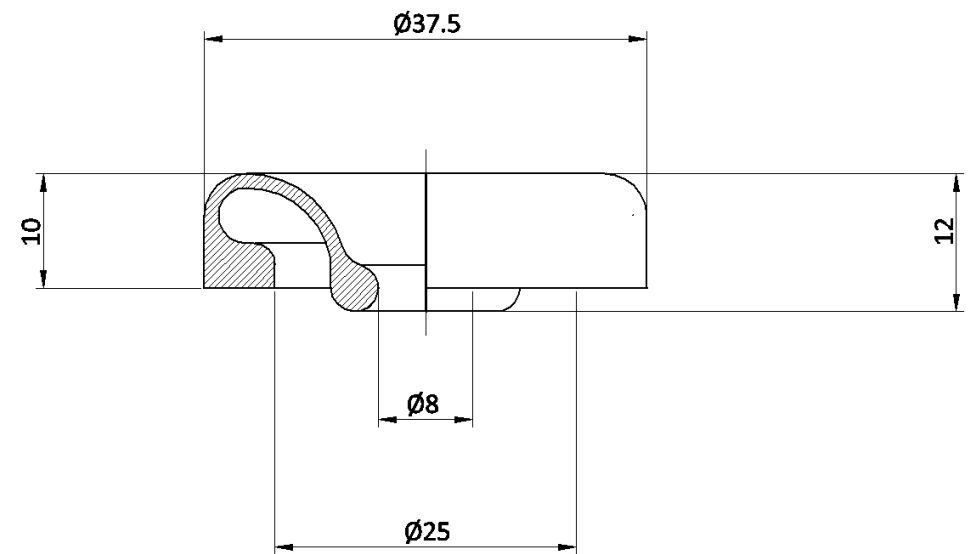


<< Back to all TYPES

3497

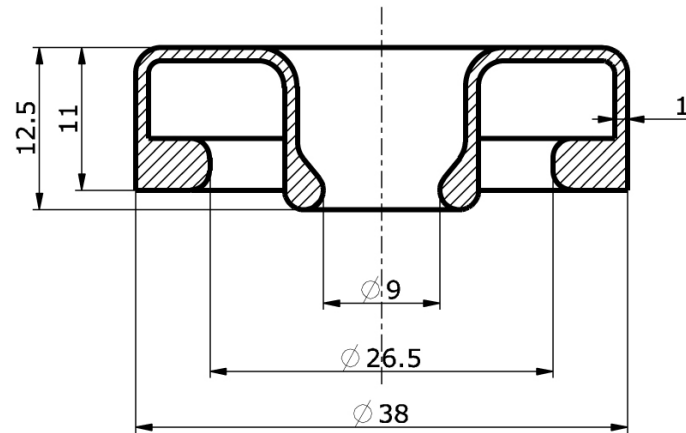


1878

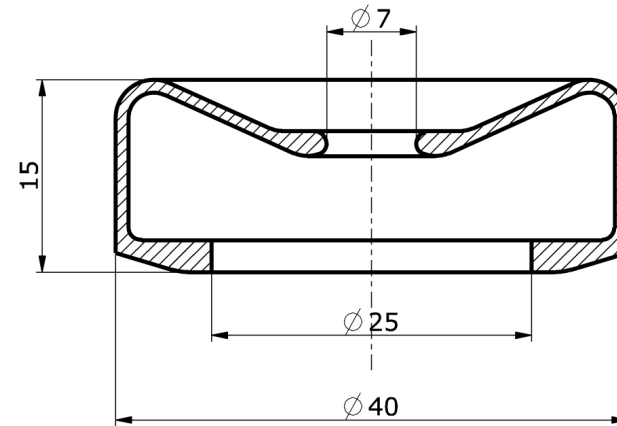


<< Back to all TYPES

5259

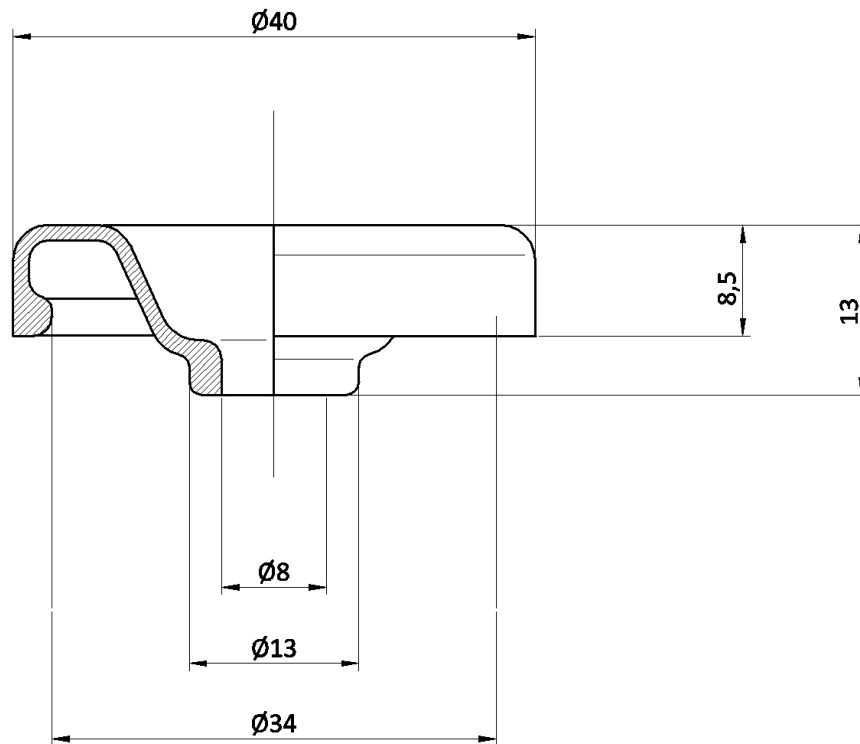


5420

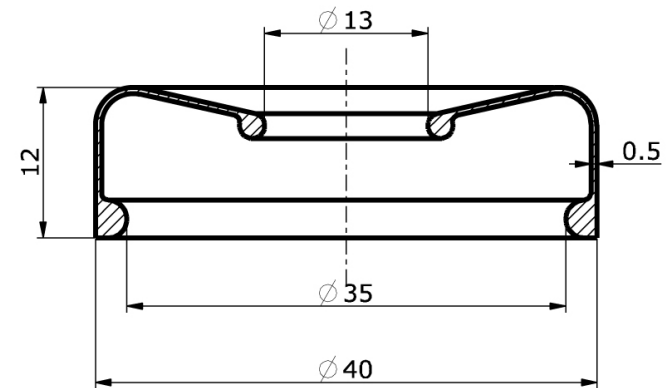


<< Back to all TYPES

5007

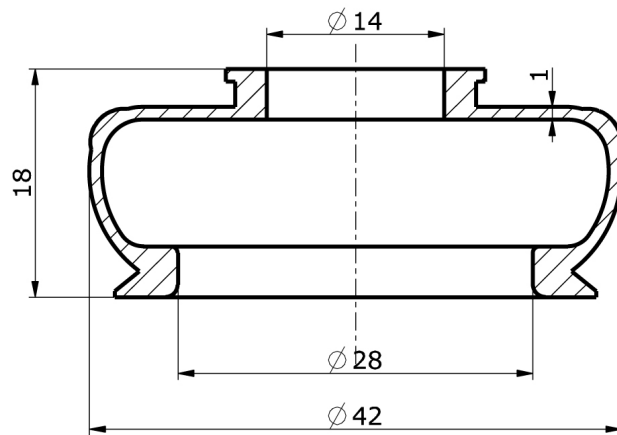


5057

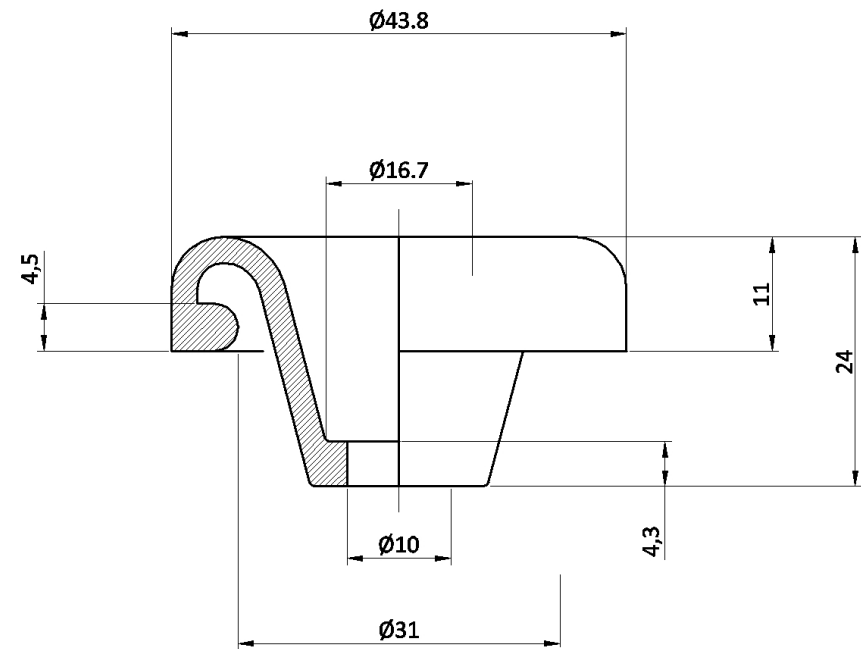


<< Back to all TYPES

2733

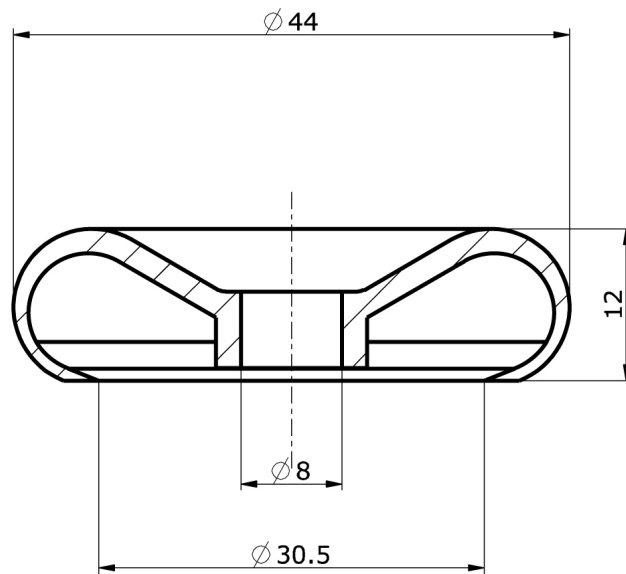


5456

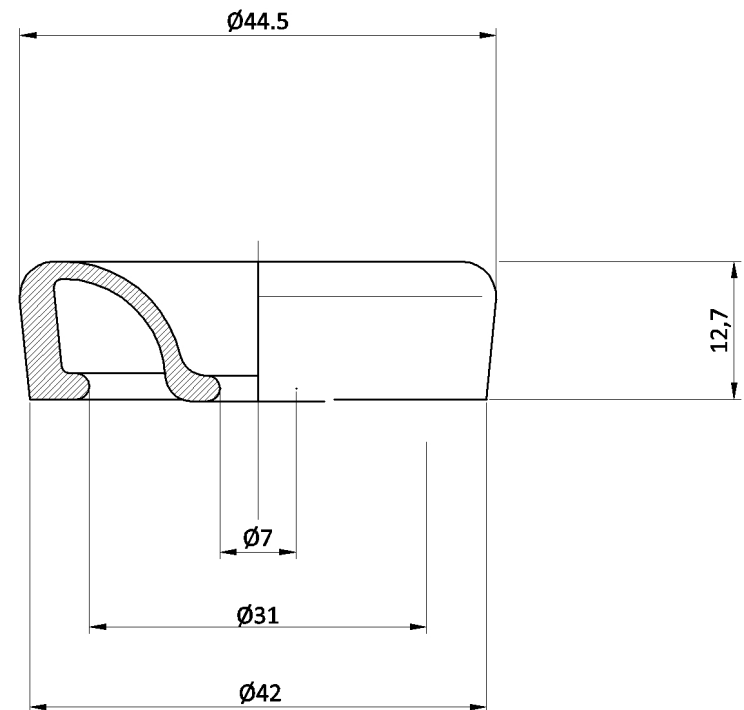


<< Back to all TYPES

2059

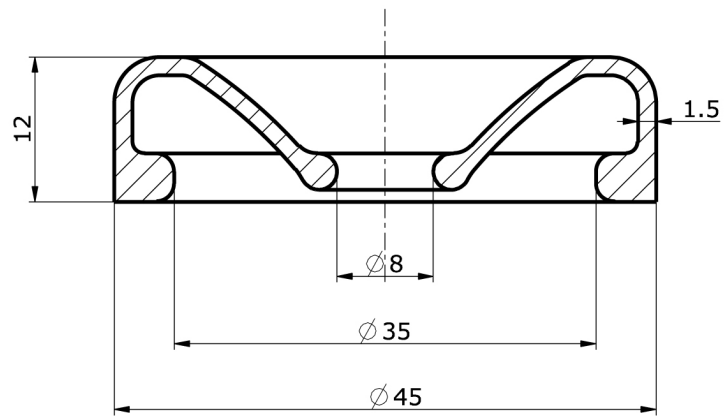


5055

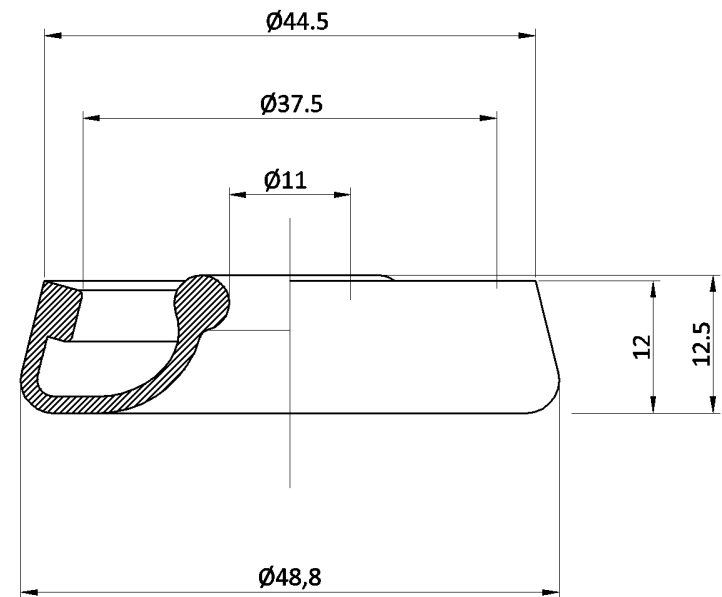


<< Back to all TYPES

2085

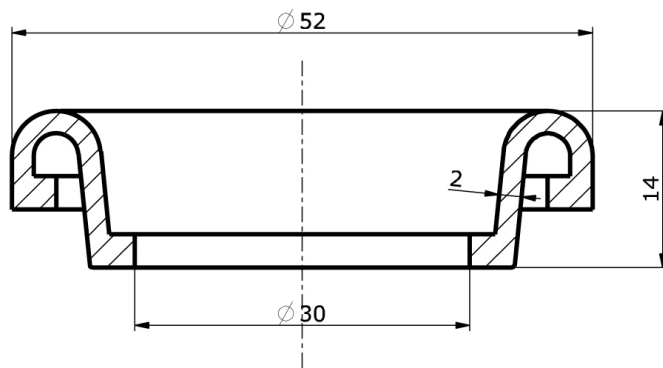


5143

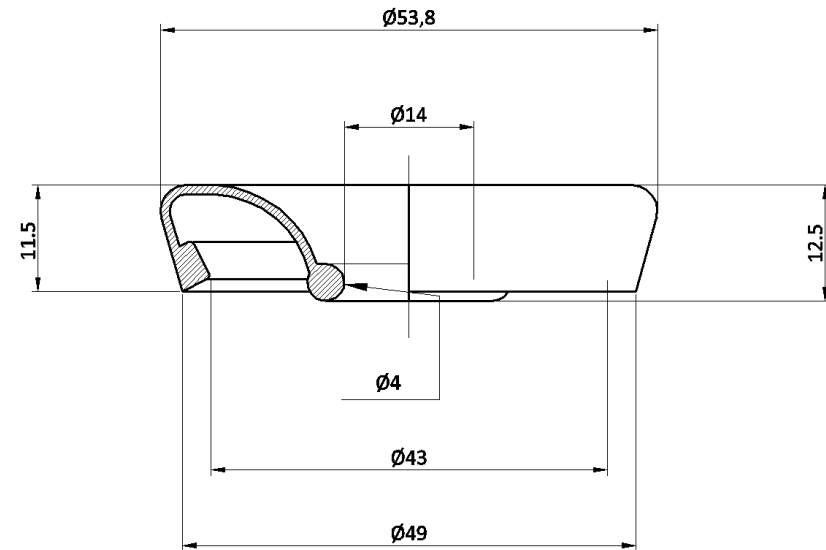


<< Back to all TYPES

5616

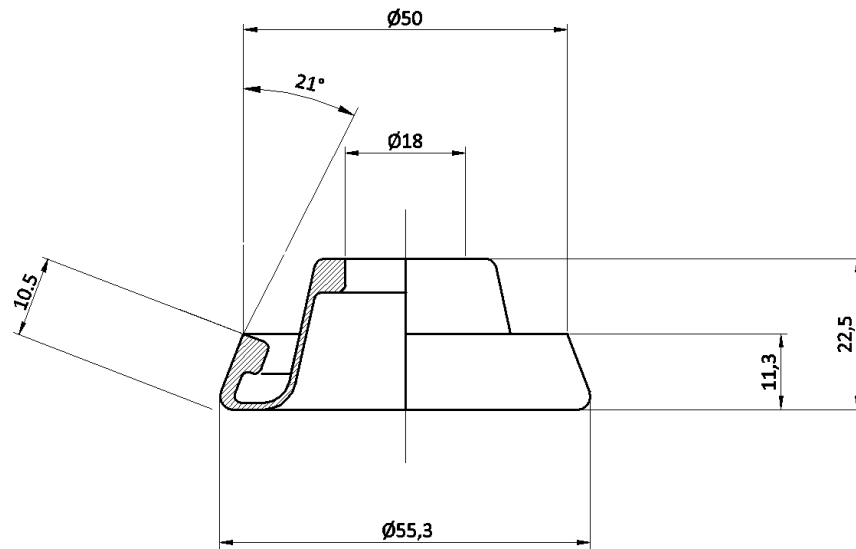


5096

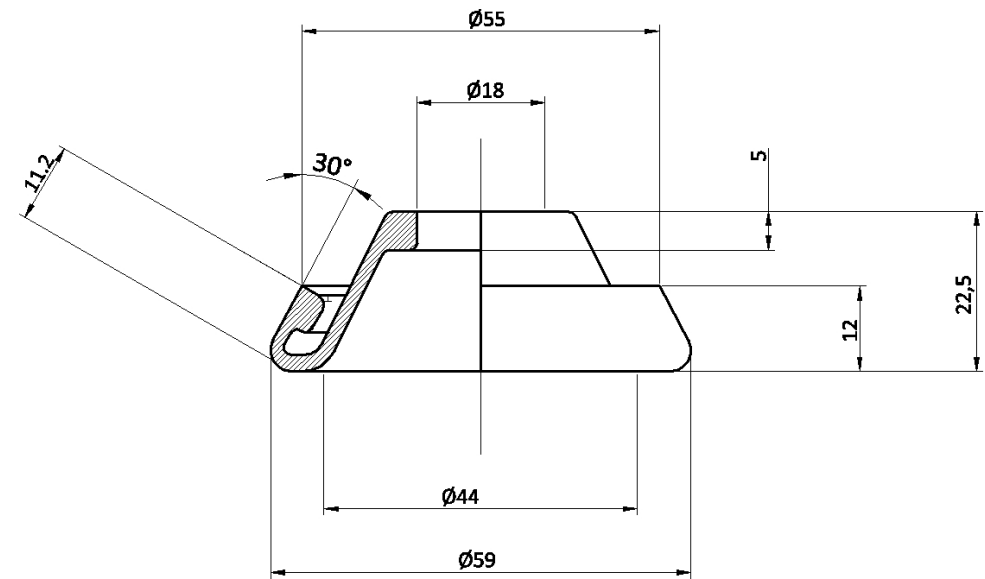


<< Back to all TYPES

5213



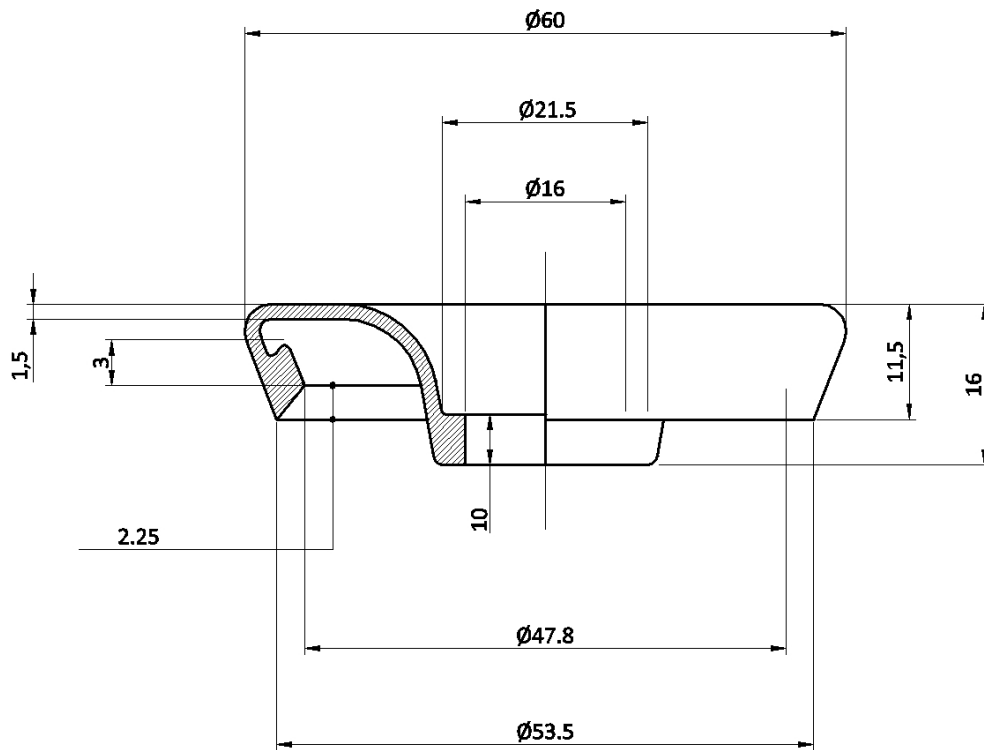
5212



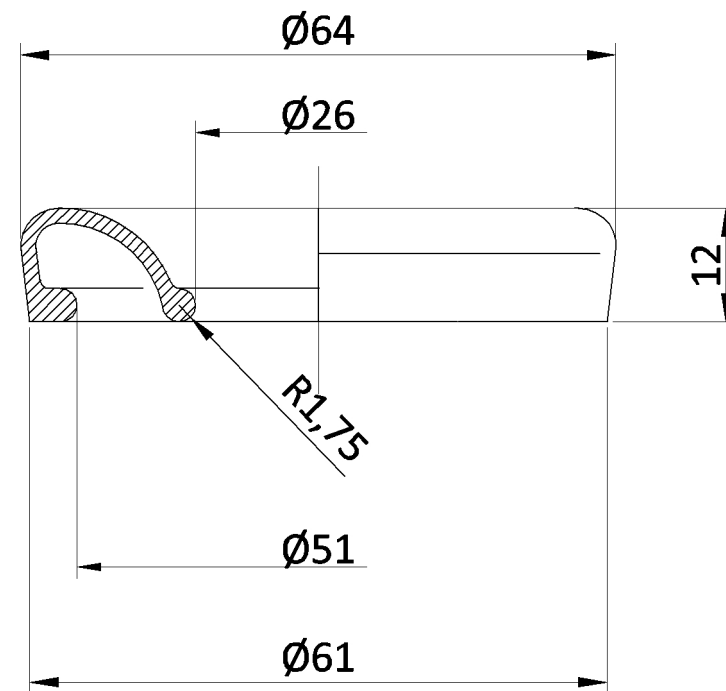


<< Back to all TYPES

5092

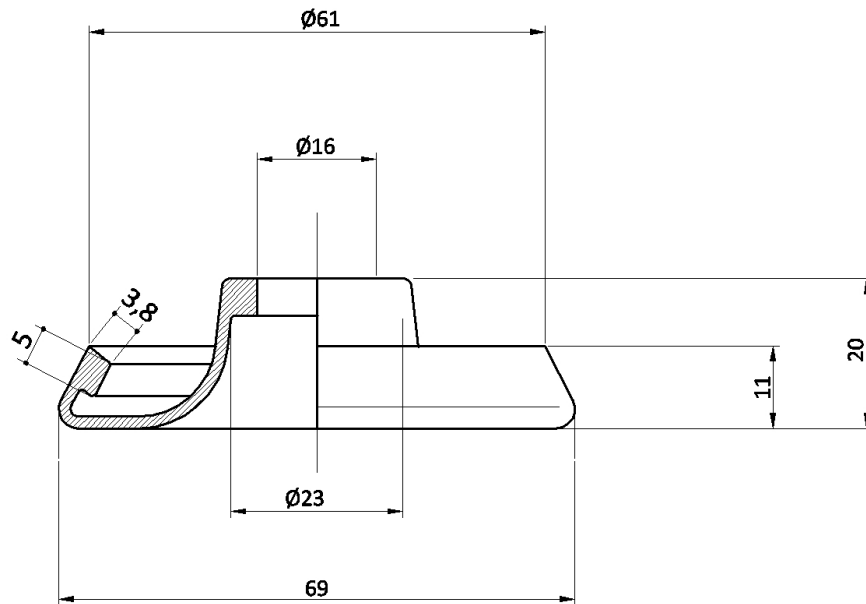


902

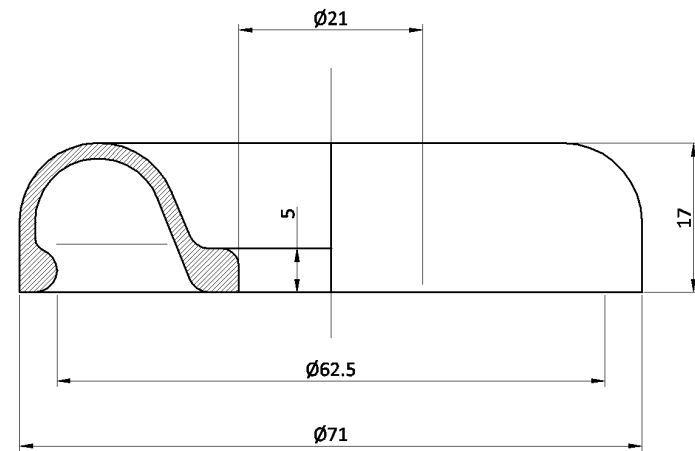


<< Back to all TYPES

5093

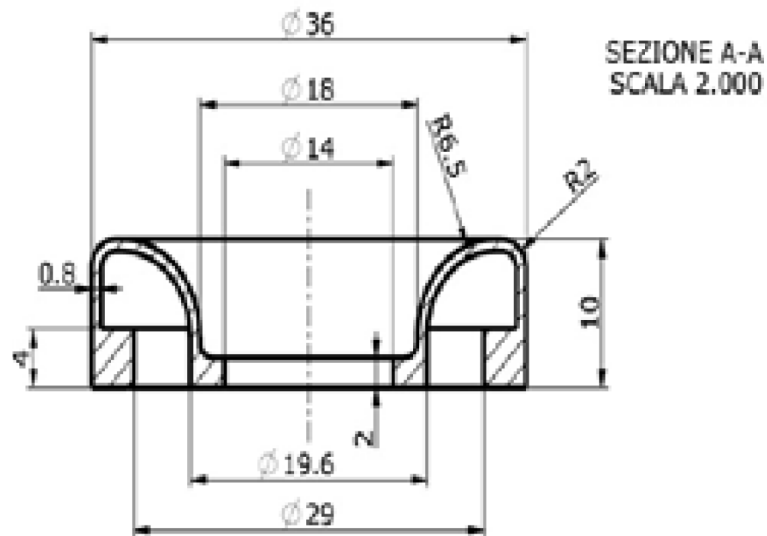


5349



<< Back to all TYPES

5193



Disk brake boots



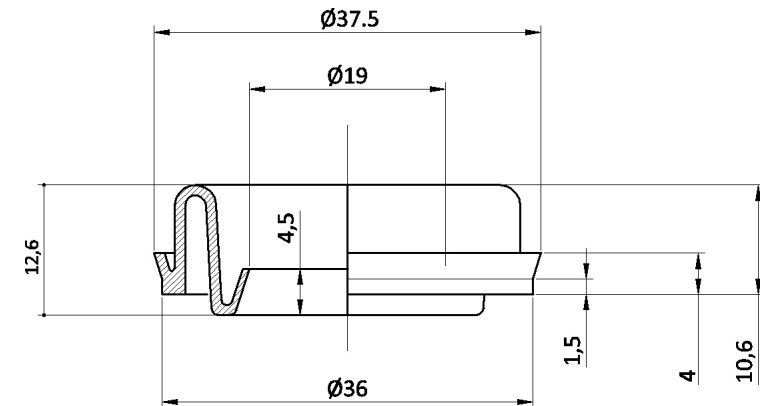
[<< Back to all TYPES](#)

The thumbnails are ordered by increasing size of outer diameter.

5314

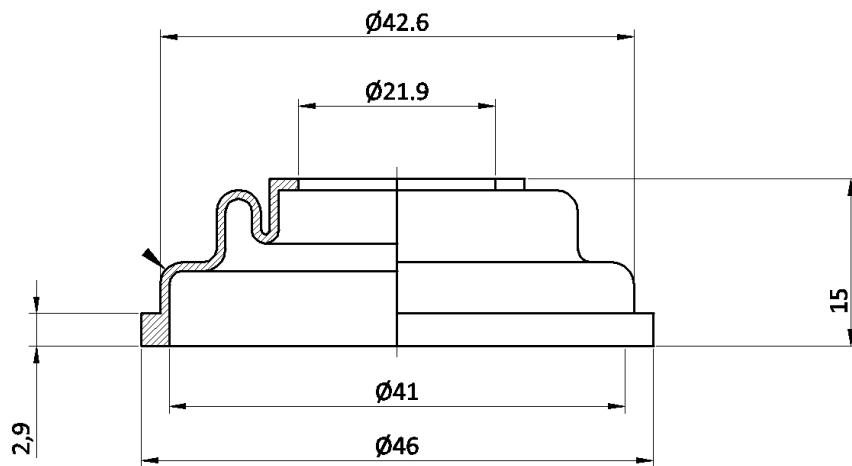


5546

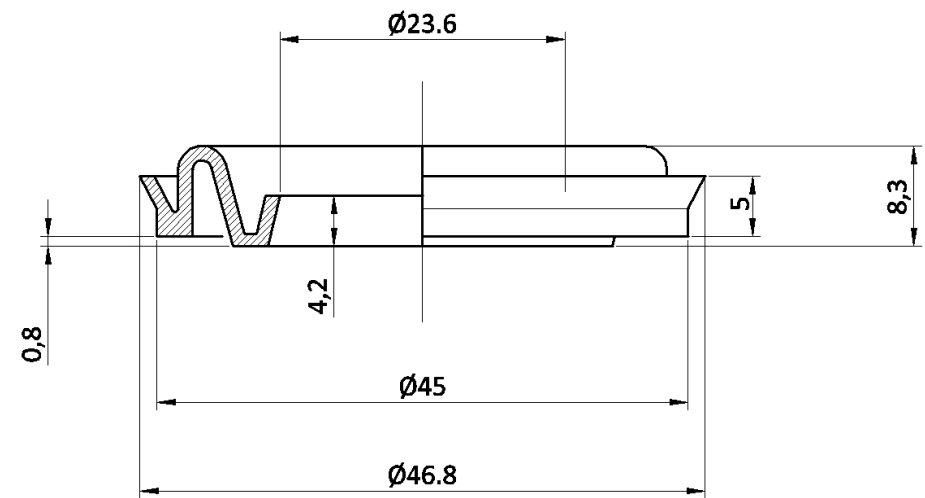


<< Back to all TYPES

5406

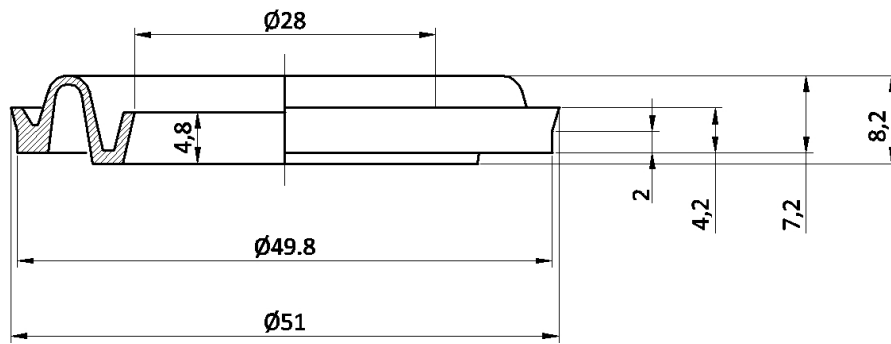


5399

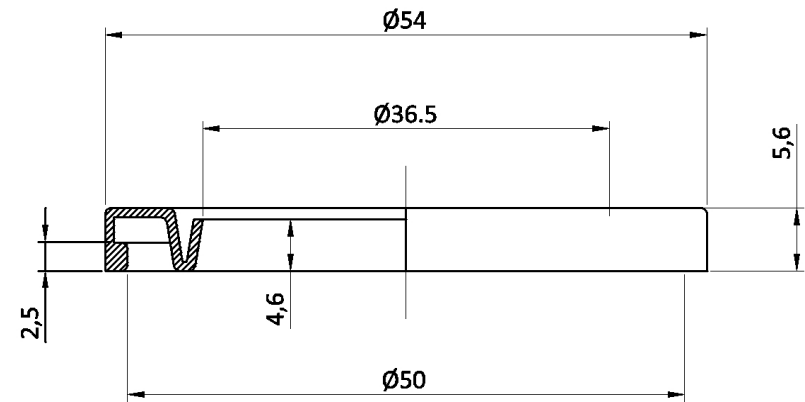


<< Back to all TYPES

5400

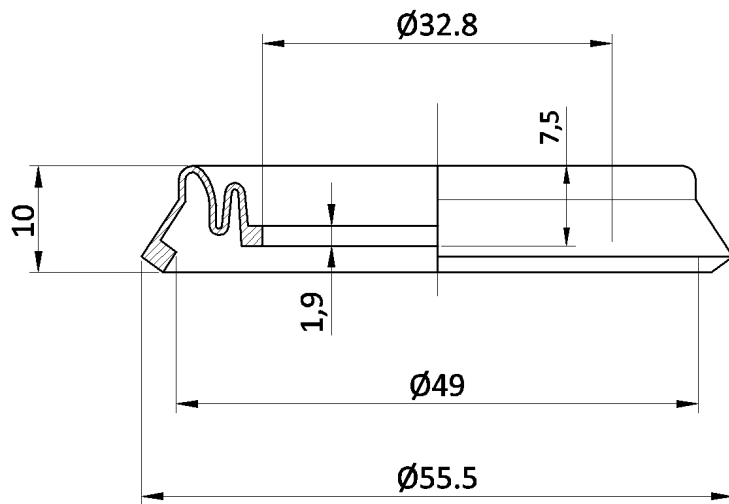


5542

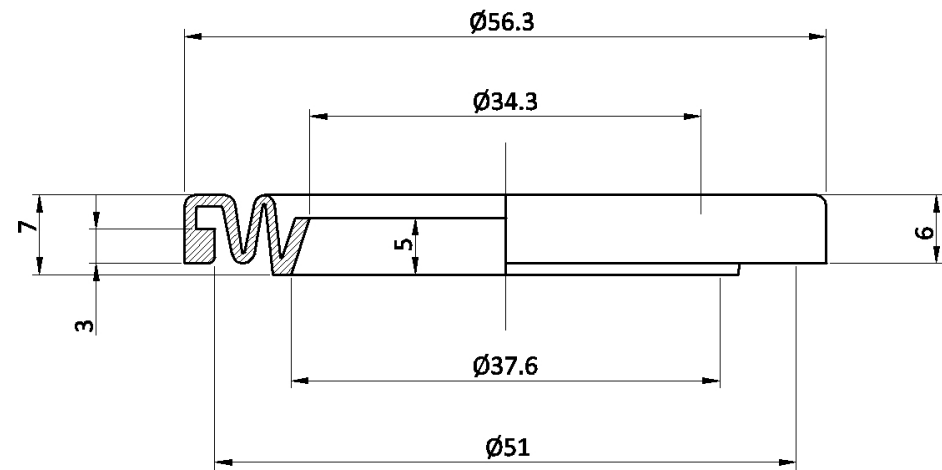


<< Back to all TYPES

5520



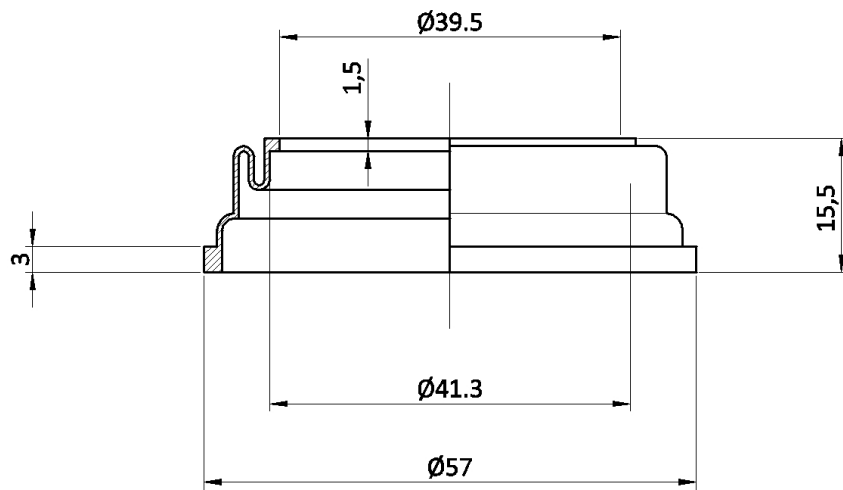
5397



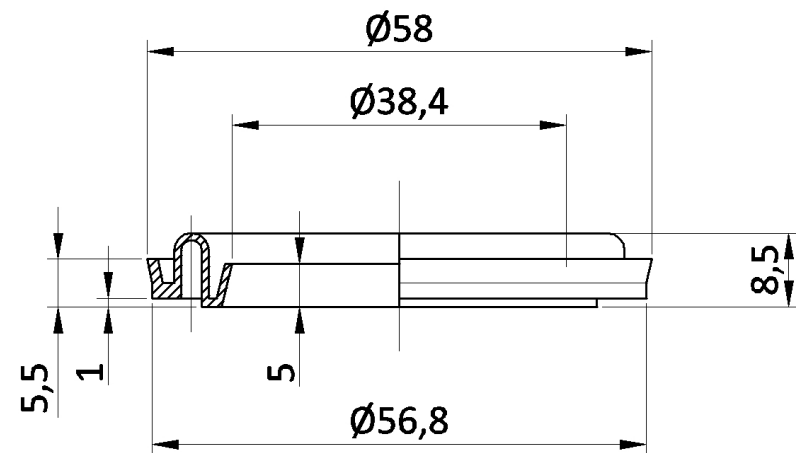


<< Back to all TYPES

5404

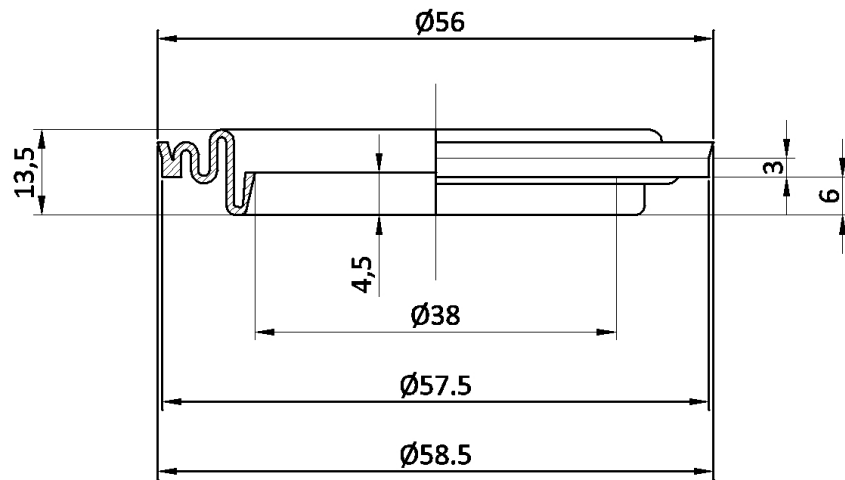


5389

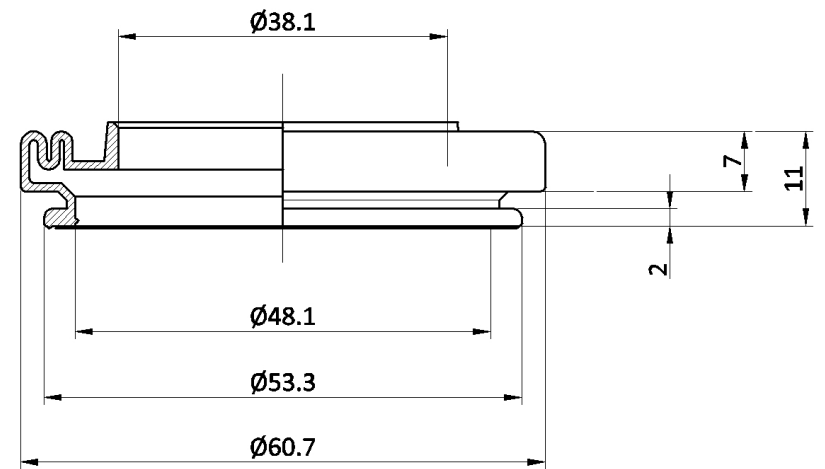


<< Back to all TYPES

5398

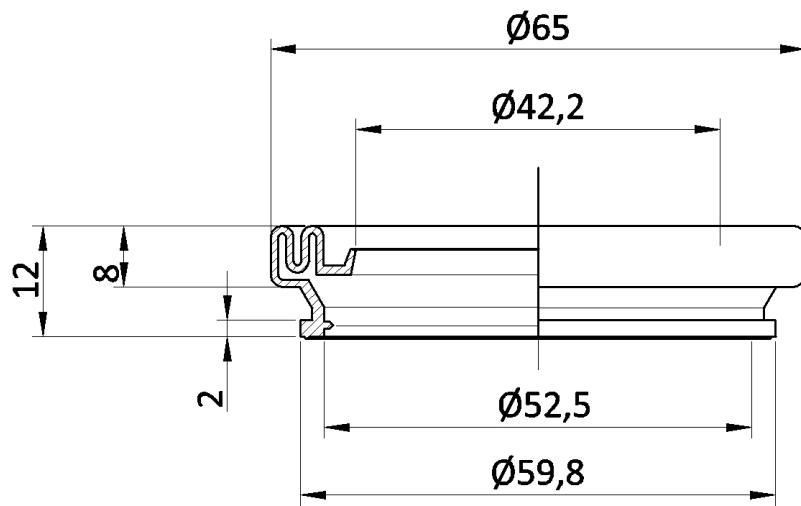


5513

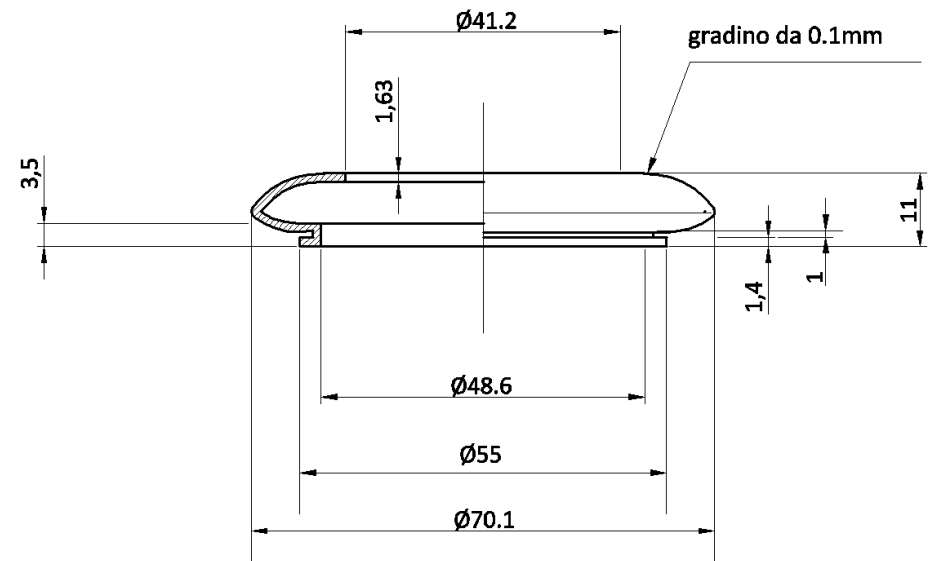


<< Back to all TYPES

5514

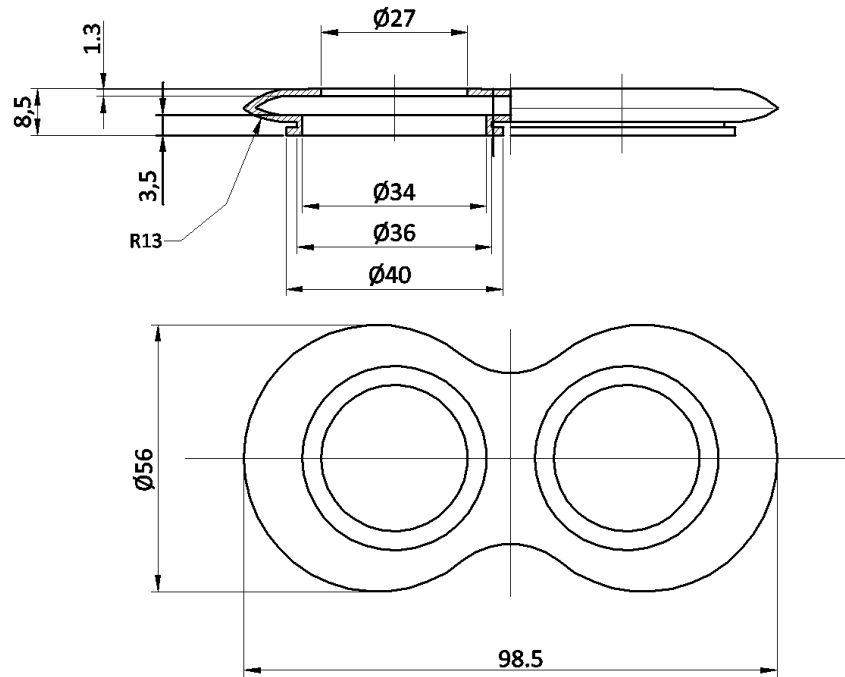


5285



<< Back to all TYPES

5286





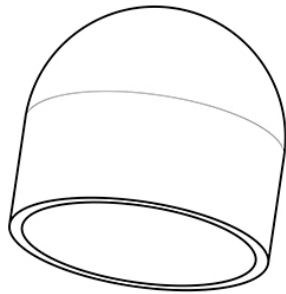
Protection caps



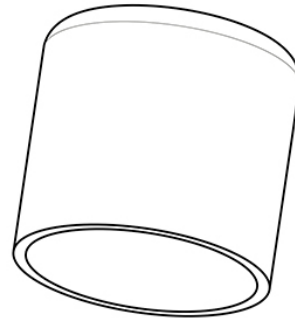
<< Back to all TYPES

Click on the **profile** that suits your needs to access the table with quotations and the SAPAT codes.

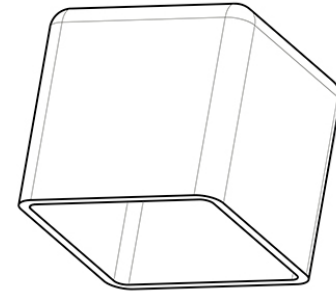
1



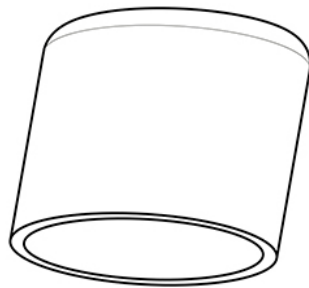
2



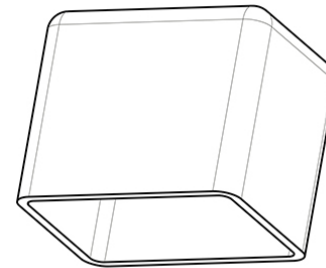
3



4

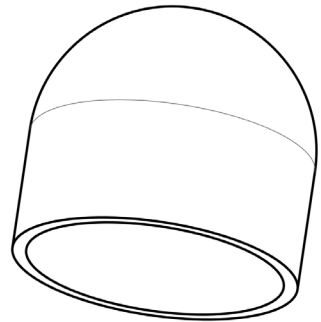
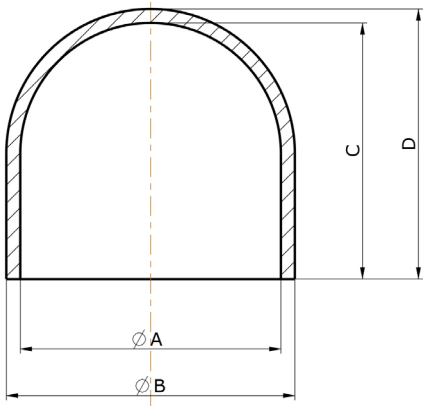


5



<< Back to all TYPES

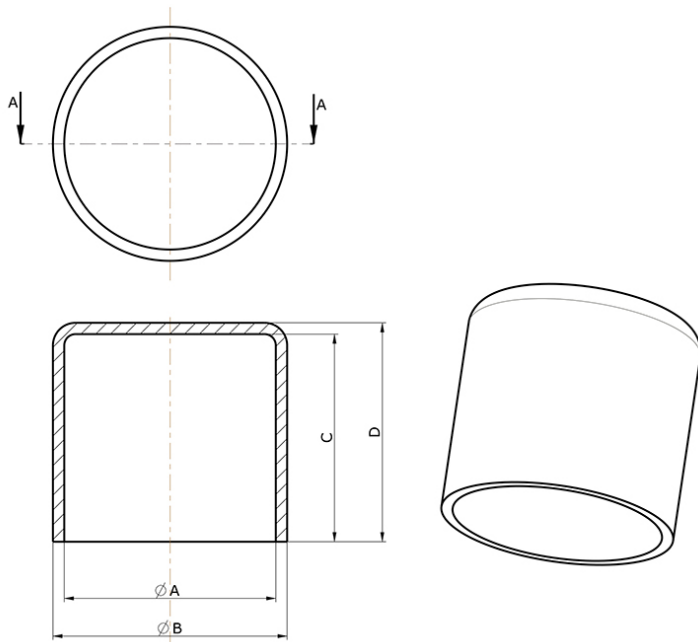
# TYPE 1



| A  | B       | C  | D  | Note | SAPAT Code |
|----|---------|----|----|------|------------|
| 5  | 7       | 10 | 24 |      | 3998       |
| 6  | 8.5     | 18 | 20 |      | 4086       |
| 9  | 12      | 75 | 78 |      | 4393       |
| 10 | 16      | 13 | 14 |      | 4734       |
| 18 | 30 > 25 | 38 | 42 |      | 2580       |
| 36 | 40      | 16 | 18 |      | 2648       |

<< Back to all TYPES

# TYPE 2

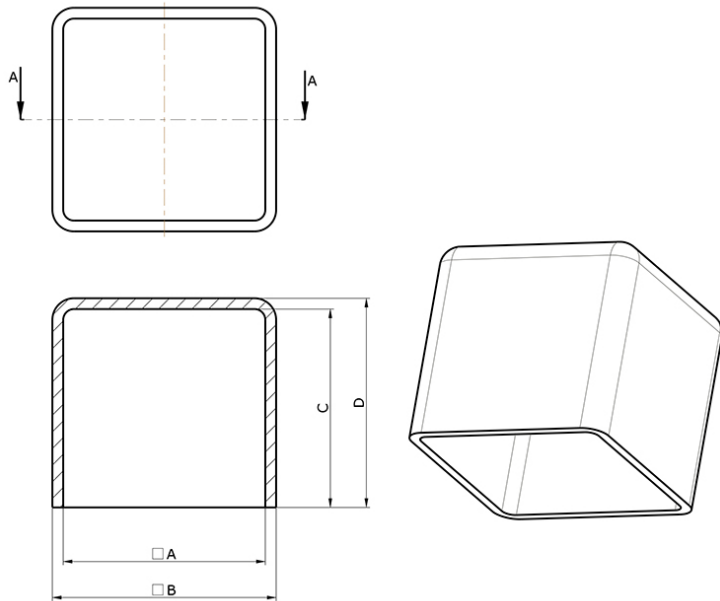


| A    | B        | C    | D    | Note           | SAPAT Code |
|------|----------|------|------|----------------|------------|
| 5    | 8.5      | 7.5  | 8.5  |                | 2987       |
| 7    | 18>>14   | 20   | 24   | TYPE foot      | 3796       |
| 8    | 18       | 12.5 | 15   |                | 379        |
| 9    | 14.5     | 15.5 | 22   |                | 4408       |
| 10   | 13       | 10.5 | 15   | TYPE foot      | 2574       |
| 11   | 22>>19   | 8    | 13   |                | 4623       |
| 12   | 16.5>>24 | 7.5  | 13.5 |                | 4633       |
| 15   | 29>>21   | 24   | 32   | TYPE foot      | 3790       |
| 17   | 24       | 8.5  | 13.5 | Int. hexagonal | 4679       |
| 17   | 27>>23   | 31   | 34   | TYPE foot      | 3559       |
| 17   | 20       | 13   | 15   |                | 1321       |
| 18   | 34>>24   | 31   | 43   | TYPE foot      | 3791       |
| 13.6 | 16       | 10   | 11.7 |                | 3125       |
| 19   | 22.5     | 15   | 16   |                | 4851       |
| 20   | 26       | 14.5 | 16   |                | 3996       |
| 20   | 30       | 36   | 40   | TYPE foot      | 2267       |
| 20   | 33       | 33   | 35   |                | 5149       |
| 22   | 34>>25   | 24   | 29   | TYPE foot      | 3649       |
| 150  | 160      | 20   | 27   | Holed          | 3611       |



<< Back to all TYPES

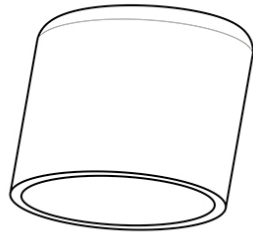
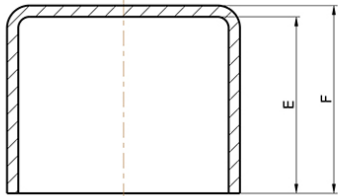
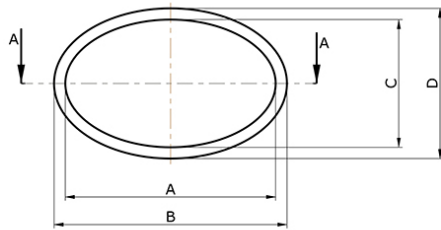
# TYPE 3



| A    | B  | C  | D  | Note | SAPAT Code |
|------|----|----|----|------|------------|
| 28.5 | 22 | 31 | 35 |      | 2577       |
| 33   | 25 | 30 | 38 |      | 2581       |

<< Back to all TYPES

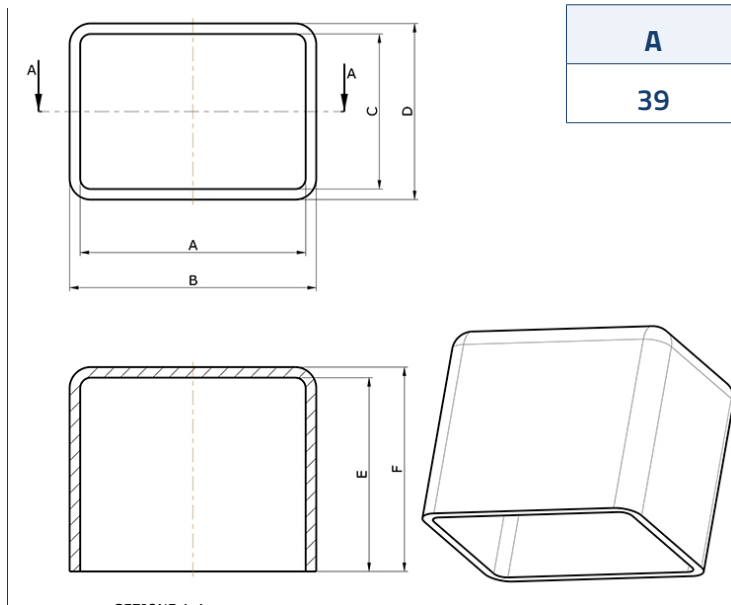
# TYPE 4



| A    | B    | C   | D | E    | F  | Note | SAPAT Code |
|------|------|-----|---|------|----|------|------------|
| 16   | 18.5 | 1.5 | 7 | 10.5 | 14 |      | 4560       |
| 16.5 | 18   | 4   | 7 | 13.5 | 17 |      | 4595       |
| 18   | 22   | 7   | 9 | 14   | 17 |      | 4206       |

<< Back to all TYPES

# TYPE 5



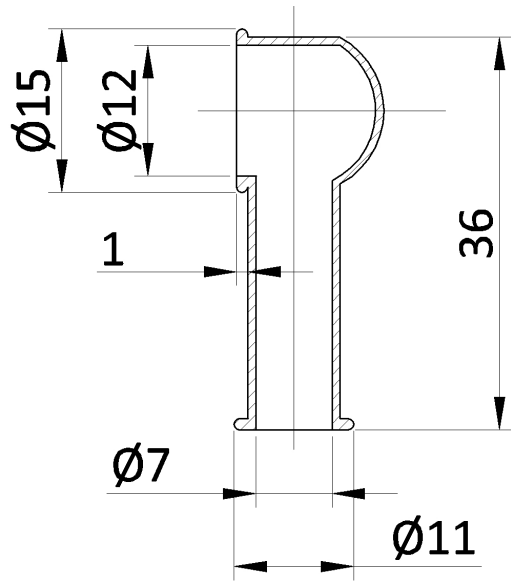
| A  | B  | C    | D  | E  | F  | Note | SAPAT Code |
|----|----|------|----|----|----|------|------------|
| 39 | 50 | 32.5 | 39 | 38 | 45 |      | 3864       |

Pipettes - other caps

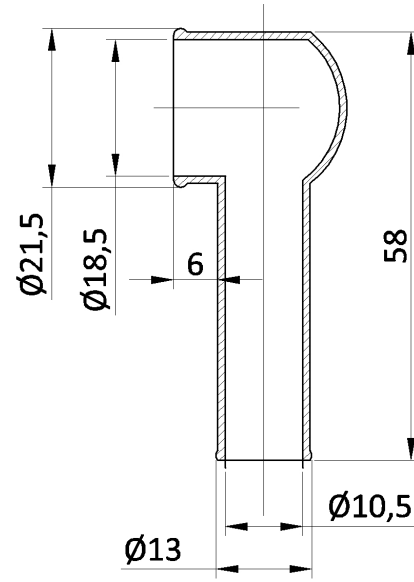


<< Back to all TYPES

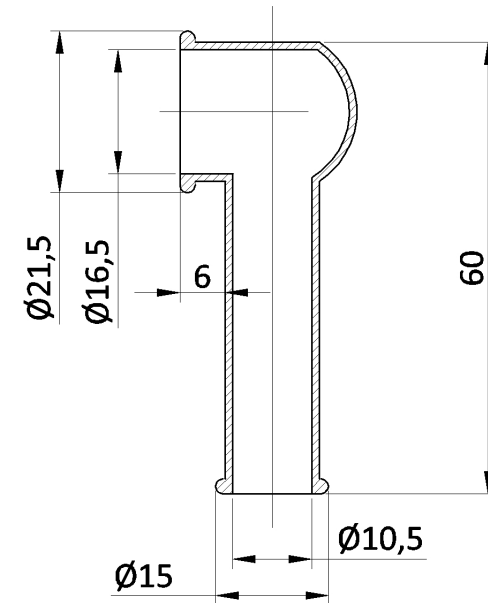
123



124



125

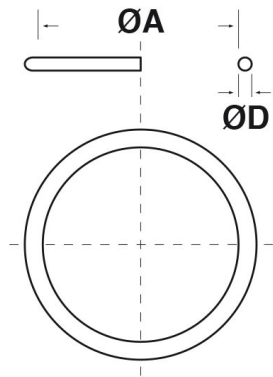


O-Rings



To access the **tables** click on the list below.

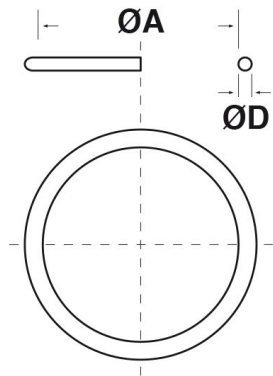
The list is ordered by increasing value of diameter of rod ("Ø D" size)



| Ø D                      |
|--------------------------|
| ØD 1 mm                  |
| ØD 2 mm                  |
| ØD 3 mm                  |
| ØD 4 mm                  |
| ØD 5 mm                  |
| ØD 6 mm                  |
| ØD 7 mm                  |
| ØD 8 mm                  |
| ØD 9 mm                  |
| ØD 10 mm                 |
| ØD 11 mm                 |
| ØD 12 mm                 |
| ØD 13 mm                 |
| ØD 14 mm                 |
| <b>ØD 15 mm and more</b> |

<< Back to all TYPES

Ø ROUND BAR 1 mm

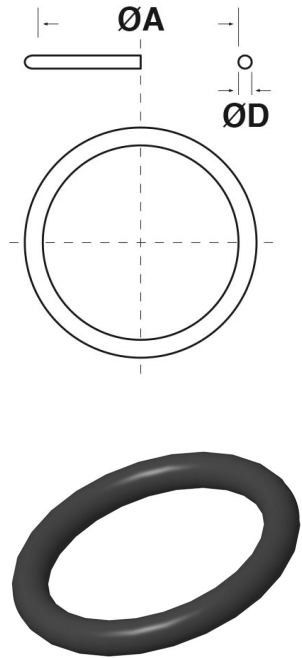


| $\text{Ø A}$ | $\text{Ø D}$ | SAPAT Code |
|--------------|--------------|------------|
| 3,2          | 1,6          | 4873       |
| 4,5          | 1            | 4457/1     |
| 4,75         | 1,6          | 4874       |
| 4,5          | 1,8          | 7060       |
| 6            | 1,5          | 2295       |
| 6,6          | 1,7          | 1751       |
| 22,5         | 1,3          | 7609       |
| 47,62        | 1,59         | 4457       |



<< Back to all TYPES

## Ø ROUND BAR 2 mm



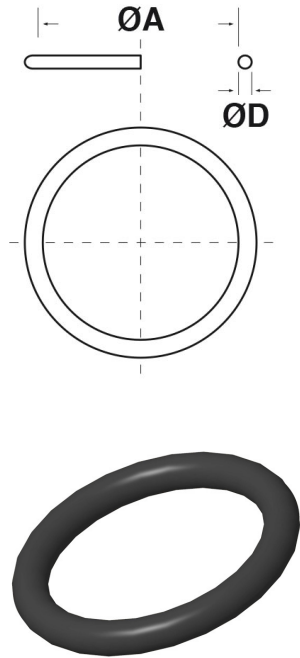
| Ø A   | Ø D  | SAPAT Code |
|-------|------|------------|
| 5     | 2.5  | 7382       |
| 7     | 2    | 4710       |
| 8     | 2    | 7014       |
| 11.5  | 2    | 7106       |
| 11    | 2.5  | 4710/1     |
| 12.4  | 2.5  | 4427       |
| 14    | 2.5  | 4710/2     |
| 14.2  | 2.38 | 4553/3     |
| 16.3  | 2.4  | 4902       |
| 16.84 | 2.72 | 4456/1     |
| 17.6  | 2.4  | 3696       |
| 21    | 2    | 7050       |
| 23    | 2    | 3717       |
| 23.5  | 2.6  | 7686       |
| 23.7  | 2.5  | 4956       |
| 25    | 2    | 3271       |
| 25.1  | 2.45 | 7002       |
| 28    | 2    | 3302       |
| 28    | 2.5  | 4073       |
| 28.5  | 2.4  | 4709/1     |
| 32    | 2    | 3514       |
| 33    | 2    | 3594       |
| 33    | 2    | 3578       |
| 33    | 2.5  | 223        |
| 38    | 2    | 4600       |

| Ø A   | Ø D  | SAPAT Code |
|-------|------|------------|
| 43    | 2    | 4632       |
| 42    | 2.5  | 4981       |
| 59    | 2.5  | 7201       |
| 62.8  | 2.1  | 1910/2     |
| 66    | 2    | 3888/1     |
| 77    | 2.62 | 4598       |
| 92.9  | 2.7  | 4235       |
| 92.76 | 2.62 | 4579       |
| 96    | 2    | 2934/1     |
| 115   | 2    | 4320/1     |
| 116   | 2    | 2826       |
| 120   | 2.8  | 4580       |
| 154   | 2    | 3381       |
| 157.5 | 2.5  | 1910/1     |
| 185   | 2    | 2770/1     |
| 195   | 2    | 4327       |
| 210   | 2    | 2770       |
| 268   | 2    | 4416       |
| 270   | 2.3  | 4545       |
| 275   | 2.65 | 4711/1     |
| 308   | 2.62 | 7643       |

<< Back to all TYPES

Ø ROUND BAR 3 mm

1/3



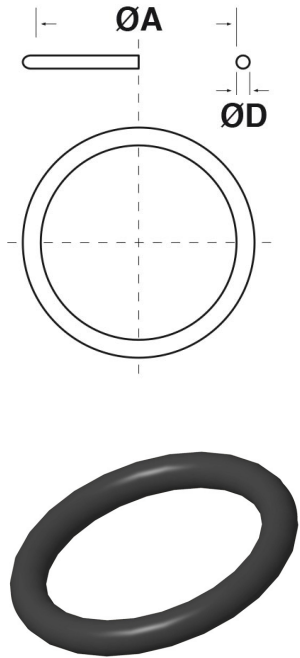
| Ø A    | Ø D   | SAPAT Code |
|--------|-------|------------|
| 65     | 3.53  | 4620       |
| 7      | 3     | 4056       |
| 6.5    | 3.5   | 3875       |
| 10.3   | 3.2   | 4625       |
| 10.319 | 3.17  | 4759       |
| 11     | 3     | 765        |
| 10     | 3.5   | 4373       |
| 14     | 3     | 3544       |
| 14     | 3     | 3544       |
| 13.49  | 3.96  | 4415/1     |
| 14.5   | 3.5   | 4299       |
| 15     | 3.5   | 4837       |
| 14.228 | 3.969 | 4758       |
| 17.5   | 3.25  | 7105       |
| 20     | 3     | 7203       |
| 20     | 3     | 3249       |
| 22     | 3     | 2594       |
| 22.3   | 3.2   | 3695       |
| 24.5   | 3     | 1376       |
| 26     | 3     | 4710/3     |
| 25.4   | 3.96  | 4753       |
| 26.58  | 3.53  | 7092       |
| 28.7   | 3.2   | 3694       |
| 29.2   | 3     | 4899       |
| 32     | 3     | 7202       |

| Ø A   | Ø D  | SAPAT Code |
|-------|------|------------|
| 32    | 3    | 3953/1     |
| 31    | 3.5  | 7061       |
| 32    | 3.4  | 3872       |
| 33    | 3    | 1641       |
| 32.4  | 3.8  | 4167       |
| 34.5  | 3.53 | 3217       |
| 36    | 3    | 584/1      |
| 37    | 3    | 4709       |
| 36    | 3.5  | 4171       |
| 38.5  | 3.17 | 4541/1     |
| 38    | 3.5  | 4433       |
| 40    | 3    | 3236       |
| 40    | 3    | 3135       |
| 41    | 3    | 4294       |
| 40    | 3.15 | 4542       |
| 41.27 | 3.15 | 4815       |
| 42    | 3    | 3953       |
| 42.86 | 3.17 | 4415       |
| 44.45 | 3.17 | 4553/2     |
| 45    | 3    | 4675       |
| 44    | 3.5  | 3888       |
| 45    | 3.5  | 4578       |
| 45    | 3.5  | 4572       |
| 48.4  | 3    | 4934       |
| 50    | 3    | 4749       |

<< Back to all TYPES

∅ ROUND BAR 3 mm

2/3



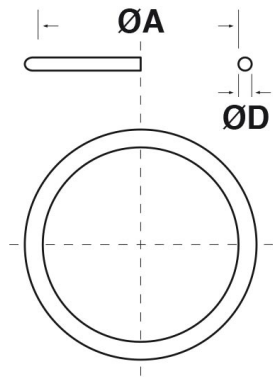
| ∅ A   | ∅ D  | SAPAT Code |
|-------|------|------------|
| 49.5  | 3.5  | 4784       |
| 50    | 3.3  | 4789       |
| 50.8  | 3.17 | 4541       |
| 53    | 3    | 7376       |
| 53.97 | 3.17 | 4743       |
| 55    | 3.5  | 4797       |
| 59.37 | 3.17 | 4700       |
| 60.32 | 3.17 | 4701       |
| 61    | 3.5  | 4456       |
| 65    | 3    | 2205       |
| 72    | 3    | 7079       |
| 75    | 3    | 354/1      |
| 95.6  | 3.5  | 3286       |
| 82.5  | 3.2  | 7005       |
| 84    | 3    | 4816       |
| 84    | 3.5  | 3016       |
| 88.6  | 3.6  | 4553       |
| 91    | 3.5  | 4097       |
| 94    | 3    | 4935       |
| 96    | 3    | 4980       |
| 98.4  | 3.17 | 4554/1     |
| 298   | 3.75 | 3465       |
| 100   | 3    | 2221       |
| 101.6 | 3.17 | 4872       |
| 101   | 3.5  | 7176       |

| ∅ A     | ∅ D   | SAPAT Code |
|---------|-------|------------|
| 104     | 3.1   | 7205       |
| 110     | 3.75  | 3403       |
| 114     | 3.5   | 3392       |
| 115     | 3.5   | 2934/2     |
| 128     | 3.75  | 1811/3     |
| 142     | 3     | 3000/1     |
| 146     | 3.17  | 4554       |
| 154     | 3     | 2801/3     |
| 160     | 3     | 3211       |
| 166     | 3.75  | 1811/2     |
| 170     | 3     | 2711/1     |
| 171     | 3     | 4293       |
| 177     | 3     | 2855/1     |
| 179     | 3     | 2801/1     |
| 189     | 3     | 2855       |
| 190     | 3     | 2711       |
| 190     | 3.5   | 3522       |
| 195.5   | 3.5   | 3523       |
| 209     | 3     | 2801       |
| 215     | 3     | 3520/1     |
| 219.075 | 3.175 | 4712/1     |
| 218     | 3.75  | 1811       |
| 240     | 3     | 2854       |
| 240     | 3     | 2825       |
| 245     | 3     | 2504       |

<< Back to all TYPES

Ø ROUND BAR 3 mm

3/3

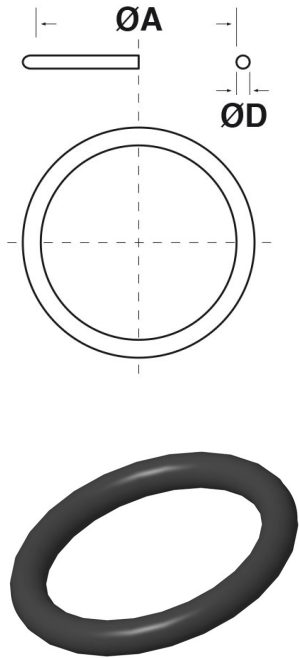


| $\text{Ø A}$ | $\text{Ø D}$ | SAPAT Code |
|--------------|--------------|------------|
| 249          | 3            | 2365       |
| 296.8        | 3.59         | 4606       |
| 305          | 3.2          | 2889       |
| 319          | 3.5          | 3911       |
| 455          | 3.5          | 4183       |

<< Back to all TYPES

∅ ROUND BAR 4 mm

1/2



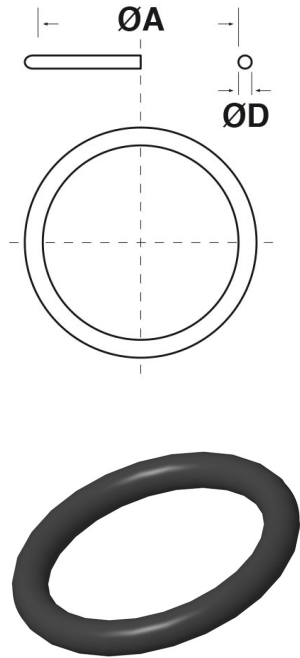
| ∅ A   | ∅ D  | SAPAT Code |
|-------|------|------------|
| 7     | 4.5  | 3543       |
| 7.8   | 4.5  | 3589       |
| 10    | 4    | 4900       |
| 13.5  | 4    | 4669       |
| 12    | 4    | 7288       |
| 15.5  | 4    | 4438/1     |
| 16    | 4    | 4300       |
| 19    | 4    | 7206       |
| 18    | 4    | 4645       |
| 21    | 4    | 4857       |
| 21    | 4    | 620        |
| 20.63 | 4.5  | 4443       |
| 22.2  | 4.75 | 4621       |
| 25    | 4    | 4868       |
| 26    | 4    | 346        |
| 27    | 4    | 4442       |
| 28    | 4    | 4436       |
| 28    | 4.5  | 7346       |
| 30    | 4    | 7297       |
| 30    | 4    | 4228       |
| 31    | 4    | 4836       |
| 31.75 | 4.76 | 4414       |
| 34    | 4    | 4840       |
| 36    | 4    | 4438       |
| 37    | 4    | 4098/1     |

| ∅ A    | ∅ D  | SAPAT Code |
|--------|------|------------|
| 38     | 4    | 7255       |
| 38.5   | 4.5  | 4661       |
| 40     | 4    | 4842       |
| 39.688 | 4.76 | 4752       |
| 44     | 4    | 4869       |
| 45.4   | 4    | 4937       |
| 45.4   | 4    | 4909       |
| 45     | 4.5  | 584        |
| 48     | 4    | 4788       |
| 49     | 4    | 3085/1     |
| 49     | 4    | 3027       |
| 47.8   | 4.75 | 4656       |
| 51.8   | 4    | 4938       |
| 52     | 4.5  | 4748       |
| 52     | 4.5  | 4097       |
| 57     | 4    | 4695       |
| 60     | 4    | 3085       |
| 60.32  | 4.76 | 4845       |
| 62     | 4    | 3123/1     |
| 62     | 4.8  | 3464/1     |
| 64     | 4    | 7025       |
| 66     | 4    | 4440       |
| 68     | 4    | 7291       |
| 70     | 4    | 7010       |
| 72     | 4    | 4953       |

<< Back to all TYPES

Ø ROUND BAR 4 mm

2/2



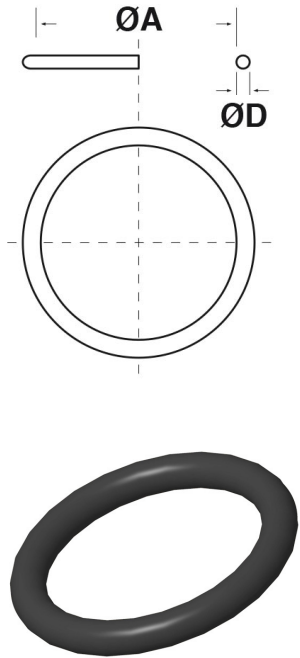
| Ø A    | Ø D  | SAPAT Code |
|--------|------|------------|
| 72     | 4    | 2701       |
| 71     | 4.8  | 3466/1     |
| 73     | 4    | 2570       |
| 74     | 4    | 3123       |
| 74     | 4    | 2515       |
| 76     | 4.2  | 4707/1     |
| 77.5   | 4.6  | 4835       |
| 79     | 4.8  | 3464       |
| 74.8   | 4    | 4957       |
| 83     | 4    | 1811       |
| 83     | 4.5  | 4042       |
| 82.55  | 4.76 | 4540/2     |
| 85     | 4    | 4098       |
| 85.7   | 4.7  | 4554/2     |
| 89.6   | 4.5  | 4844       |
| 90.3   | 4.76 | 4726       |
| 93     | 4.8  | 3466       |
| 103    | 4    | 2330       |
| 111.12 | 4.76 | 4540/1     |
| 117    | 4    | 1129/1     |
| 117.47 | 4.76 | 4539       |
| 128    | 4    | 530/2      |
| 127    | 4.76 | 4833       |
| 133.25 | 4.76 | 4540       |
| 158.75 | 4.76 | 4859       |

| Ø A    | Ø D   | SAPAT Code |
|--------|-------|------------|
| 170    | 170 4 | 7190       |
| 170    | 4     | 2620/1     |
| 176.21 | 4.76  | 2619/1     |
| 182.48 | 4.76  | 2631       |
| 185.7  | 4.76  | 2620       |
| 192    | 4.76  | 2619       |
| 198    | 4     | 3520       |
| 203.2  | 4.75  | 4923       |
| 205    | 4     | 2854/1     |
| 203    | 4.8   | 4495       |
| 210    | 4.1   | 4082       |
| 220    | 4     | 3175       |
| 228    | 4.5   | 4428/1     |
| 235    | 4     | 3076       |
| 257    | 4     | 4051       |
| 268    | 4     | 3792/1     |
| 314    | 4     | 3792       |
| 314    | 4     | 2378/1     |
| 380    | 4     | 4673       |

<< Back to all TYPES

∅ ROUND BAR 5 mm

1/2



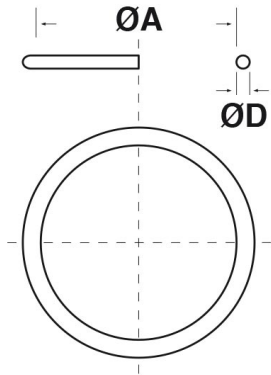
| ∅ A  | ∅ D | SAPAT Code |
|------|-----|------------|
| 10   | 5   | 4464       |
| 12   | 5   | 1154       |
| 15   | 5   | 4756       |
| 16   | 5   | 7289       |
| 18.5 | 5   | 4948       |
| 18.5 | 5   | 4247       |
| 17.5 | 5.5 | 1641/1     |
| 20   | 5   | 7259       |
| 20   | 5.5 | 7204       |
| 22   | 5   | 4395       |
| 23   | 5.5 | 4787       |
| 25   | 5   | 4662       |
| 26   | 5   | 7258       |
| 28   | 5   | 7019       |
| 29   | 5   | 4680       |
| 28.4 | 5.3 | 4446/1     |
| 28.4 | 5.3 | 3123/3     |
| 29.5 | 5   | 4437       |
| 28.4 | 5.5 | 4056/1     |
| 30.2 | 5.6 | 4622       |
| 30.8 | 5.6 | 4570       |
| 32   | 5   | 4774       |
| 33   | 5   | 4657       |
| 34.5 | 5   | 4255       |
| 37   | 5   | 4321       |

| ∅ A  | ∅ D  | SAPAT Code |
|------|------|------------|
| 37.2 | 5    | 4704       |
| 38   | 5    | 4403       |
| 38   | 5    | 3464/2     |
| 40   | 5    | 7300       |
| 40   | 5    | 347        |
| 42   | 5    | 7250       |
| 44   | 5    | 7026       |
| 44.2 | 5.7  | 4708       |
| 46   | 5    | 3762/1     |
| 46.6 | 5.3  | 2515       |
| 48   | 5    | 4484       |
| 50   | 5    | 4891       |
| 49.2 | 5.7  | 4530       |
| 55   | 5    | 4687       |
| 56   | 5    | 2056       |
| 55.5 | 5.5  | 4785       |
| 57.9 | 5    | 4940       |
| 59   | 5    | 4548       |
| 60   | 5.8  | 3762       |
| 64   | 5    | 7256       |
| 65   | 5    | 4731       |
| 67   | 5.3  | 2719/2     |
| 68.7 | 5    | 3963       |
| 79   | 5.35 | 1221       |
| 89   | 5    | 3534/1     |

<< Back to all TYPES

∅ ROUND BAR 5 mm

2/2



| ∅ A   | ∅ D  | SAPAT Code |
|-------|------|------------|
| 90    | 5    | 7134       |
| 94    | 5.5  | 7056       |
| 94.7  | 5.3  | 4833/1     |
| 98    | 5    | 2852       |
| 102   | 5    | 2611       |
| 102   | 5    | 1525/1     |
| 126   | 5    | 2488       |
| 125   | 5.5  | 2934       |
| 128   | 5.3  | 2719       |
| 133   | 5    | 2658/1     |
| 135   | 5    | 1525/2     |
| 139   | 5.5  | 2796       |
| 144   | 5    | 1910       |
| 144.2 | 5.7  | 4707       |
| 147   | 5    | 2751/1     |
| 155   | 5    | 1525       |
| 158   | 5.33 | 4901       |
| 170   | 5    | 2922/1     |
| 174   | 5    | 1598       |
| 180   | 5    | 1534       |
| 190   | 5    | 4819       |
| 192   | 5    | 3912       |
| 209   | 5.3  | 2659       |
| 220   | 5    | 4607       |
| 225   | 5    | 2751       |

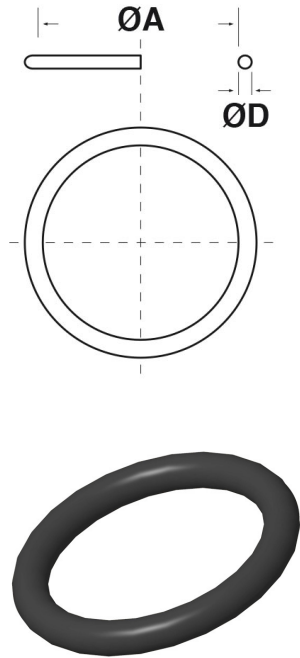
| ∅ A | ∅ D | SAPAT Code |
|-----|-----|------------|
| 255 | 5.5 | 4606       |
| 289 | 5.7 | 7189       |
| 317 | 5   | 1933       |
| 405 | 5   | 2944       |
| 420 | 5   | 2381/1     |
| 493 | 5   | 1690       |



<< Back to all TYPES

Ø ROUND BAR 6 mm

1/2



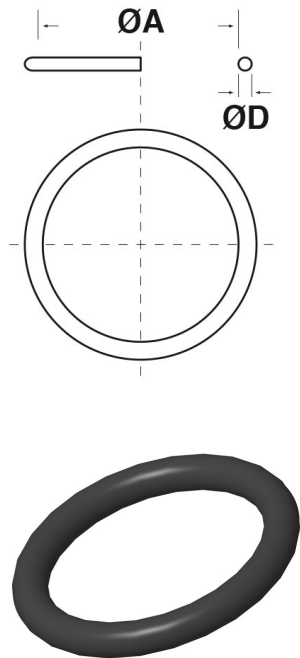
| Ø A  | Ø D  | SAPAT Code |
|------|------|------------|
| 13   | 6    | 7155       |
| 16   | 6    | 4703       |
| 20   | 6    | 4686       |
| 21   | 6    | 4670       |
| 22   | 6    | 7241       |
| 24   | 6    | 7001       |
| 25   | 6    | 7143       |
| 26   | 6    | 3085       |
| 26   | 6    | 622/1      |
| 25   | 6.5  | 7200       |
| 30   | 6    | 4796       |
| 32   | 6    | 7000       |
| 31   | 6.5  | 3100/2     |
| 64   | 6    | 4642       |
| 34   | 6    | 924        |
| 36.5 | 6.35 | 4413       |
| 39   | 6    | 4426       |
| 41   | 6    | 7275       |
| 41.5 | 6    | 3963/1     |
| 44   | 6    | 4653       |
| 45   | 6    | 3934       |
| 44   | 6.5  | 4496       |
| 46.6 | 6    | 4972       |
| 48   | 6    | 7069       |
| 50   | 6.3  | 4879       |

| Ø A   | Ø D  | SAPAT Code |
|-------|------|------------|
| 51.7  | 6    | 7117       |
| 52    | 6    | 622        |
| 57    | 6    | 3935       |
| 98    | 3.75 | 3465/1     |
| 58    | 6.5  | 3465       |
| 84.5  | 6.35 | 4235/1     |
| 70    | 6    | 4911       |
| 77.6  | 6    | 3802/1     |
| 85    | 6    | 4798       |
| 86    | 6    | 7230       |
| 90    | 6    | 658        |
| 98    | 6    | 4952       |
| 102   | 6    | 7280       |
| 103   | 6    | 3538/1     |
| 105   | 6    | 3656/1     |
| 110   | 6    | 3000/3     |
| 112   | 6    | 1150       |
| 115   | 6    | 658/1      |
| 119   | 6    | 7099/2     |
| 119   | 6    | 3000/2     |
| 124   | 6    | 7389       |
| 124   | 6    | 3538       |
| 134   | 6    | 659/1      |
| 137   | 6    | 658/2      |
| 139.5 | 6.1  | 3989       |

&lt;&lt; Back to all TYPES

Ø ROUND BAR 6 mm

2/2

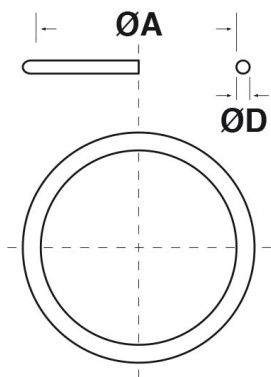


| Ø A   | Ø D | SAPAT Code |
|-------|-----|------------|
| 141   | 6   | 658/3      |
| 144   | 6   | 659        |
| 150   | 6   | 7099       |
| 154   | 6   | 2631/1     |
| 158.7 | 6.4 | 2658       |
| 190   | 6   | 7191       |
| 197.5 | 6.4 | 4234       |
| 205   | 6   | 4773       |
| 209   | 6   | 3632/1     |
| 210   | 6   | 3699/3     |
| 245   | 6   | 644        |
| 256   | 6   | 3699/2     |
| 260   | 6   | 3076       |
| 292   | 6.5 | 3174       |
| 336   | 6   | 4045       |
| 335   | 6   | 2856       |
| 388   | 6   | 2941       |
| 410   | 6   | 1384       |
| 420   | 6.3 | 1293/1     |
| 493   | 6   | 2379       |



<< Back to all TYPES

## Ø ROUND BAR 7 mm



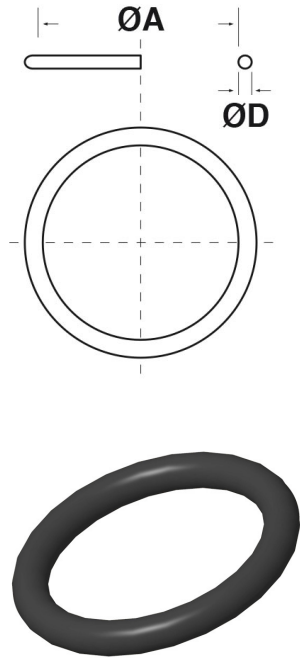
| Ø A   | Ø D  | SAPAT Code |
|-------|------|------------|
| 16    | 7    | 4856       |
| 16.3  | 7.2  | 4939       |
| 17    | 7.5  | 3634       |
| 20    | 7    | 4665       |
| 48    | 7    | 1811       |
| 22    | 7    | 1611       |
| 23.5  | 7    | 4389       |
| 24    | 7    | 4599       |
| 25    | 7    | 7243       |
| 30    | 7    | 7287       |
| 31.75 | 7.14 | 4626       |
| 37    | 7    | 1640       |
| 41    | 7    | 3804/1     |
| 49    | 7    | 7118       |
| 51    | 7.5  | 1915       |
| 56    | 7.5  | 3204       |
| 63    | 7    | 3804       |
| 67    | 7.5  | 7385       |
| 70    | 7    | 4858       |
| 88.4  | 7.5  | 4725       |
| 90    | 7    | 4663       |
| 91    | 7.5  | 3889       |
| 94    | 7    | 2658/2     |
| 111   | 7    | 3207/1     |
| 113   | 7    | 3534       |

| Ø A | Ø D | SAPAT Code |
|-----|-----|------------|
| 120 | 7   | 484        |
| 170 | 7.5 | 2375       |
| 225 | 7   | 3699/1     |
| 244 | 7   | 4545/1     |
| 250 | 7   | 2894       |
| 275 | 7   | 3699       |
| 288 | 7   | 4545/2     |
| 312 | 7   | 3356       |
| 393 | 7   | 2340       |

<< Back to all TYPES

Ø ROUND BAR 8 mm

1/2



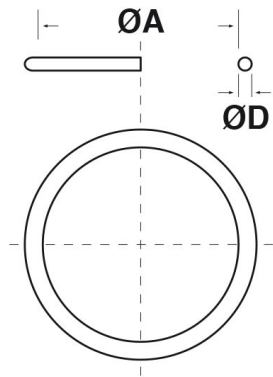
| Ø A  | Ø D | SAPAT Code |
|------|-----|------------|
| 11   | 8   | 2414/1     |
| 17.4 | 8   | 4941       |
| 19.7 | 8   | 4949       |
| 22   | 8   | 3659       |
| 25   | 8   | 7274       |
| 27.5 | 8   | 1559       |
| 30   | 8   | 374        |
| 33   | 8   | 4841       |
| 38.5 | 8.5 | 4882       |
| 39   | 8.5 | 7074       |
| 48   | 8   | 7107       |
| 48   | 8   | 7102       |
| 52   | 8   | 4666       |
| 52   | 8   | 484/2      |
| 57   | 8   | 4705       |
| 62   | 8   | 3482/2     |
| 65   | 8   | 2134       |
| 65.5 | 8   | 3989/2     |
| 67   | 8   | 7276       |
| 70   | 8.5 | 3483/1     |
| 73   | 8   | 4256       |
| 75   | 8   | 3403       |
| 76   | 8   | 3745/1     |
| 75   | 8.5 | 4603       |
| 82   | 8   | 7114       |

| Ø A  | Ø D | SAPAT Code |
|------|-----|------------|
| 84   | 8   | 7078       |
| 86.7 | 8   | 4953       |
| 95   | 8   | 4775       |
| 96   | 8   | 530        |
| 99   | 8   | 3989/1     |
| 100  | 8   | 484/1      |
| 104  | 8   | 3745       |
| 116  | 8   | 1269/1     |
| 128  | 8   | 3889/1     |
| 140  | 8   | 2488/1     |
| 147  | 8   | 1269       |
| 174  | 8   | 7099/1     |
| 185  | 8   | 3913       |
| 204  | 8   | 2922       |
| 210  | 8.5 | 3870       |
| 222  | 8   | 1998       |
| 234  | 8   | 2053       |
| 235  | 8   | 1750       |
| 240  | 8.5 | 4712       |
| 242  | 8   | 3870/2     |
| 248  | 8   | 1387       |
| 253  | 8   | 1841       |
| 270  | 8.5 | 4428       |
| 274  | 8.5 | 3870/1     |
| 310  | 8   | 3632       |

<< Back to all TYPES

Ø ROUND BAR 8 mm

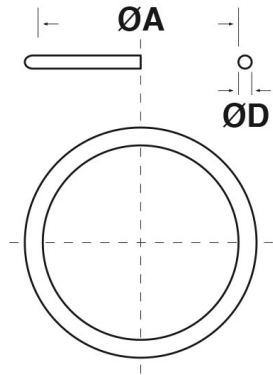
2/2



| Ø A | Ø D | SAPAT Code |
|-----|-----|------------|
| 330 | 8.5 | 3871       |
| 353 | 8.5 | 2941       |
| 360 | 8.5 | 1933       |
| 450 | 8   | 2379/1     |

<< Back to all TYPES

Ø ROUND BAR 9 mm

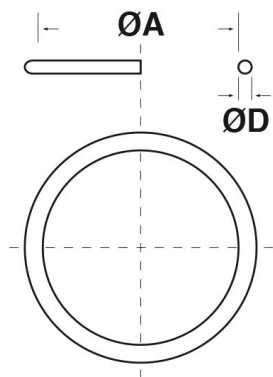


| $\varnothing A$ | $\varnothing D$ | SAPAT Code |
|-----------------|-----------------|------------|
| 26.5            | 9               | 4855       |
| 32              | 9               | 7257       |
| 43.5            | 9.5             | 3466/2     |
| 16              | 9               | 3553       |
| 48              | 9               | 3005/1     |
| 50              | 9               | 4892       |
| 75              | 9               | 3005       |
| 84              | 9               | 4602       |
| 100             | 9               | 3483       |
| 101             | 9.5             | 7336       |
| 108             | 9               | 505        |
| 110             | 9               | 7137       |
| 110             | 9               | 3482/1     |
| 117             | 9.5             | 7168       |
| 135             | 9               | 3482       |
| 175             | 9               | 2712       |
| 190             | 9               | 1888/1     |
| 210             | 9               | 1890       |
| 215             | 9               | 1888       |
| 240             | 9               | 3520       |
| 279.5           | 9.5             | 2378       |
| 258.7           | 9.53            | 2660       |
| 375             | 9               | 3216       |
| 444             | 9.5             | 2381       |



<< Back to all TYPES

## Ø ROUND BAR 10 mm

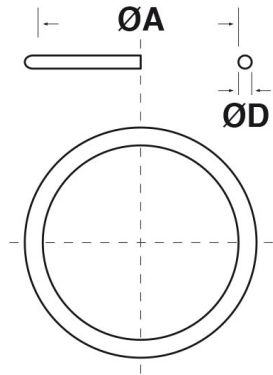


| Ø A  | Ø D  | SAPAT Code |
|------|------|------------|
| 23   | 10   | 7020       |
| 36   | 10   | 4954       |
| 36.3 | 10   | 4388       |
| 38.5 | 10   | 4185       |
| 39   | 10   | 3659/1     |
| 40   | 10   | 4182       |
| 41   | 10   | 3015/1     |
| 45   | 10   | 4441       |
| 50   | 10   | 4446       |
| 55   | 10   | 7286       |
| 55   | 10   | 1887/2     |
| 60   | 10.5 | 3014       |
| 65   | 10   | 7321       |
| 69.5 | 10   | 7305       |
| 73   | 10   | 7246       |
| 75   | 10   | 4103       |
| 80   | 10   | 4102       |
| 82   | 10   | 3015       |
| 85   | 10   | 1887/1     |
| 100  | 10   | 3237       |
| 115  | 10   | 1887       |
| 128  | 10   | 1295/2     |
| 160  | 10   | 245        |
| 195  | 10   | 1295       |

| Ø A   | Ø D | SAPAT Code |
|-------|-----|------------|
| 197   | 10  | 7265       |
| 216   | 10  | 3081       |
| 220   | 10  | 1248       |
| 225   | 10  | 2660/1     |
| 240   | 10  | 1934       |
| 270   | 10  | 2491       |
| 347   | 10  | 1294       |
| 403.5 | 10  | 3732/1     |
| 447   | 10  | 1293       |
| 632   | 10  | 1292       |

<< Back to all TYPES

Ø ROUND BAR 11 mm

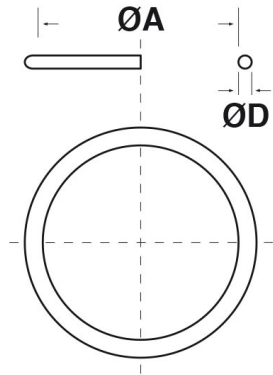


| $\text{Ø A}$ | $\text{Ø D}$ | SAPAT Code |
|--------------|--------------|------------|
| 30           | 11           | 3142       |
| 53           | 11           | 2836       |
| 75           | 11           | 7247       |
| 304.8        | 11.1         | 4950       |



<< Back to all TYPES

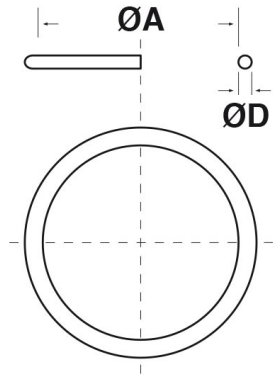
Ø ROUND BAR 12 mm



| Ø A   | Ø D  | SAPAT Code |
|-------|------|------------|
| 25    | 12   | 7298       |
| 30    | 12   | 3193       |
| 70    | 12   | 4320/1     |
| 80    | 12   | 7248       |
| 84    | 12   | 7304       |
| 90    | 12   | 7313       |
| 95    | 12   | 7315       |
| 100   | 12   | 7314       |
| 101   | 12   | 1910       |
| 108   | 12   | 7282       |
| 114   | 12   | 7169       |
| 122   | 12   | 7207       |
| 140   | 12   | 3207       |
| 145   | 12   | 530        |
| 160   | 12   | 1295/1     |
| 170   | 12   | 1248/1     |
| 173   | 12   | 3076/1     |
| 202   | 12.5 | 7281       |
| 209   | 12   | 4975       |
| 210   | 12   | 1296       |
| 238   | 12   | 3911/1     |
| 274.5 | 12   | 4970       |
| 318   | 12   | 1000       |
| 370   | 12   | 3732       |
| 418   | 12   | 1741       |

<< Back to all TYPES

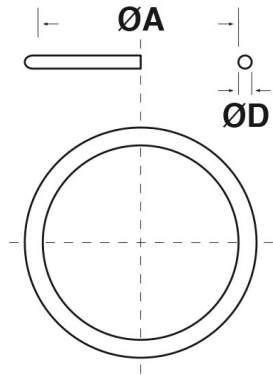
Ø ROUND BAR 13 mm



| Ø A | Ø D  | SAPAT Code |
|-----|------|------------|
| 32  | 13.5 | 2205/1     |
| 35  | 13   | 2414       |
| 50  | 13   | 2142       |
| 79  | 13   | 3823       |
| 150 | 13   | 7249       |
| 170 | 13   | 353        |

<< Back to all TYPES

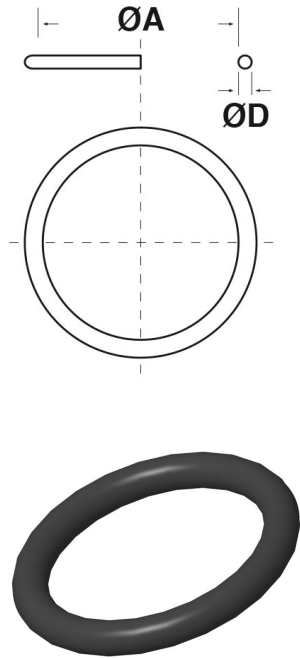
Ø ROUND BAR 14 mm



| Ø A | Ø D  | SAPAT Code |
|-----|------|------------|
| 59  | 14   | 4608       |
| 80  | 14   | 3581/1     |
| 82  | 14   | 354        |
| 108 | 14   | 4372       |
| 120 | 14   | 3581       |
| 135 | 14   | 7306       |
| 145 | 14   | 7349       |
| 150 | 14   | 7348       |
| 200 | 14   | 7347       |
| 260 | 14   | 251        |
| 300 | 14.5 | 1294/1     |
| 330 | 14   | 538        |

<< Back to all TYPES

Ø ROUND BAR 15 and >15 mm



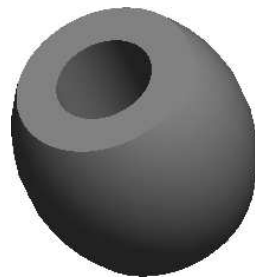
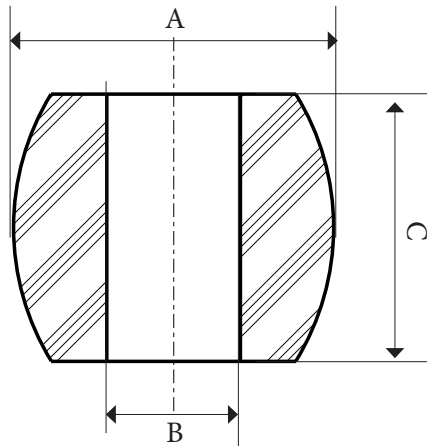
| $\text{Ø A}$ | $\text{Ø D}$ | SAPAT Code |
|--------------|--------------|------------|
| 28           | 15           | 2190       |
| 50           | 15           | 374        |
| 59           | 18           | 2664       |
| 70           | 15           | 3743       |
| 64           | 19           | 705        |
| 74           | 18           | 1095       |
| 89           | 15           | 1864       |
| 96           | 15           | 7338       |
| 100          | 15           | 1724       |
| 100          | 19           | 2143       |
| 147          | 18           | 2445       |
| 150          | 19           | 2144       |
| 135          | 32           | 1876       |
| 185          | 25           | 579        |
| 176          | 15.5         | 3000       |
| 180          | 15           | 7333       |
| 185          | 15           | 2221/1     |
| 265          | 32           | 3517       |
| 324          | 17           | 2204       |
| 350          | 18           | 2376       |
| 400          | 20           | 56         |



Convex sleeves



See the **table** below in order of increasing values of External diameter ("A" size).



| A    | B    | C    | SAPAT Code |
|------|------|------|------------|
| 30   | 12   | 32   | 7397       |
| 30   | 12   | 34   | 4582       |
| 32.5 | 22   | 21   | 7023       |
| 35   | 22   | 21   | 7012       |
| 40   | 25   | 22   | 7011       |
| 48   | 20   | 52   | 4219       |
| 49   | 24.5 | 35   | 4469       |
| 50   | 32   | 36   | 4512       |
| 54   | 27.5 | 40   | 4470       |
| 58.5 | 31.7 | 47   | 4475       |
| 60   | 25   | 65.2 | 7500       |
| 65   | 36   | 56   | 1605       |
| 69   | 34.5 | 52   | 4474       |
| 74   | 30   | 78   | 7500/1     |



## Bumpers

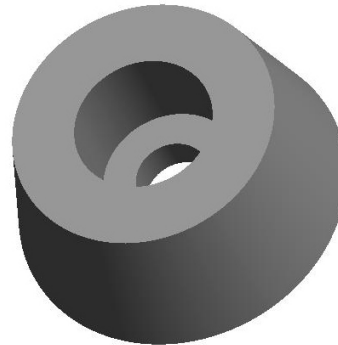


Click on the **profile** that suits your needs to access the table with quotations and the SAPAT codes.

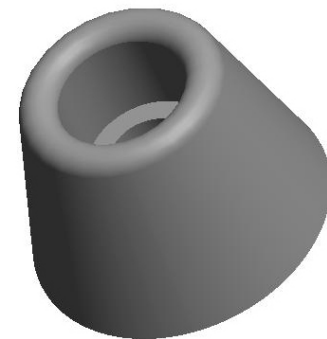
1



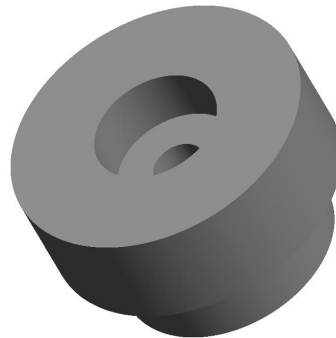
2



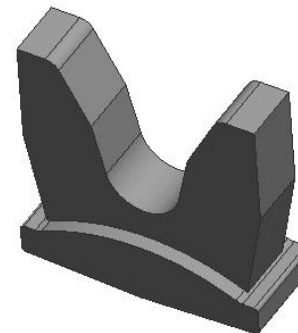
3



4



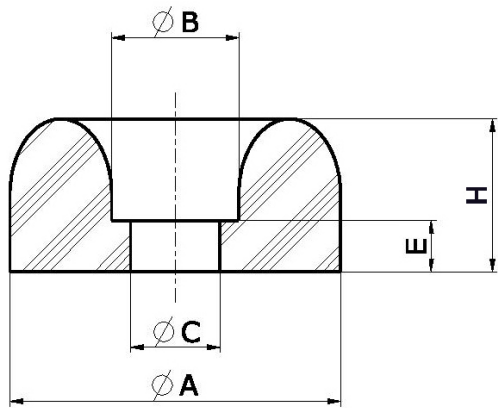
5





<< Back to all TYPES

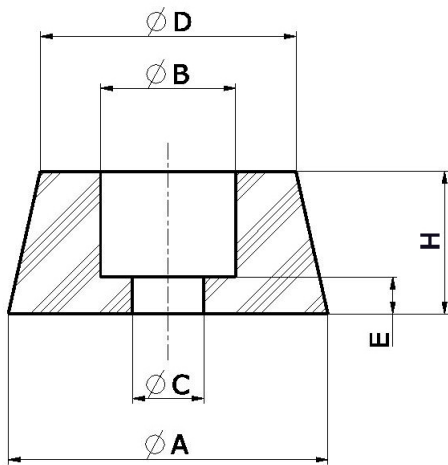
## TYPE 1



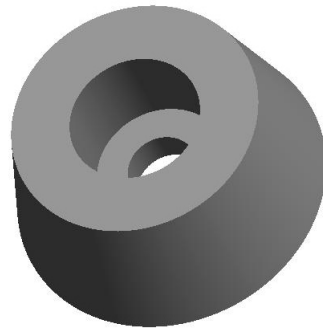
| A    | B  | C   | E  | H    | SAPAT Code |
|------|----|-----|----|------|------------|
| 13   | -  | 4   | 4  | 8    | 377        |
| 13   | 5  | 3.5 | 2  | 5    | 292        |
| 25   | 10 | 5   | 7  | 10   | 64         |
| 30   | 12 | 5   | 5  | 10   | 7295       |
| 30.5 | 13 | 5   | 10 | 18   | 7294       |
| 40   | 18 | 8   | 16 | 24   | 7150       |
| 42.5 | 20 | 7   | 6  | 12.5 | 3401       |

<< Back to all TYPES

# TYPE 2

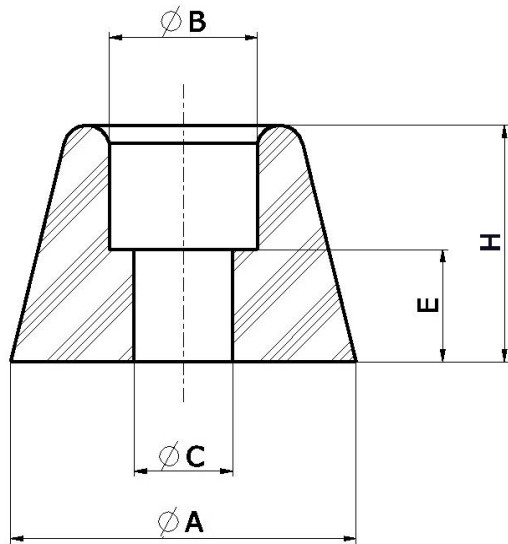


| A    | B   | C | D  | E   | H    | SAPAT Code |
|------|-----|---|----|-----|------|------------|
| 22.5 | 9.5 | 5 | 18 | 2,5 | 10   | 993        |
| 25   | 10  | 5 | 18 | 9   | 15.5 | 7273       |
| 25   | 10  | 5 | 19 | 11  | 25   | 971        |
| 25   | 10  | 6 | 19 | 11  | 35   | 3357       |
| 26   | 10  | 5 | 20 | 11  | 21   | 2568       |
| 38   | 12  | 6 | 16 | -   | 22   | 3388       |

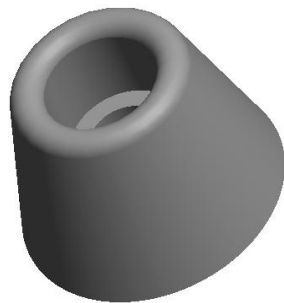


<< Back to all TYPES

## TYPE 3

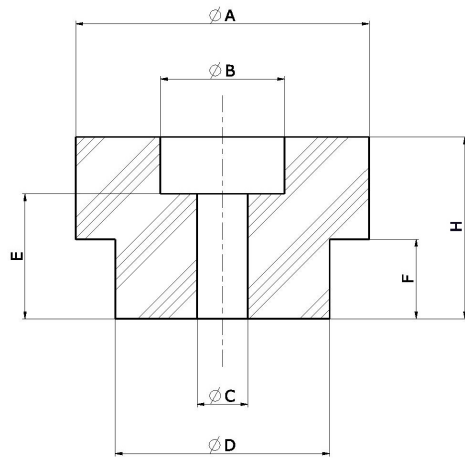


| A  | B    | C   | E   | H    | SAPAT Code |
|----|------|-----|-----|------|------------|
| 14 | 5    | 4   | 5   | 9.5  | 1391       |
| 18 | 6.5  | 3.5 | 2.5 | 9    | 7293       |
| 18 | 10   | 4.5 | 6   | 11.5 | 1550       |
| 20 | 6    | 6   | 2.5 | 7.5  | 59         |
| 20 | 7.5  | 3   | 6   | 10   | 3884       |
| 30 | 14.5 | 5   | 5,5 | 15   | 893        |

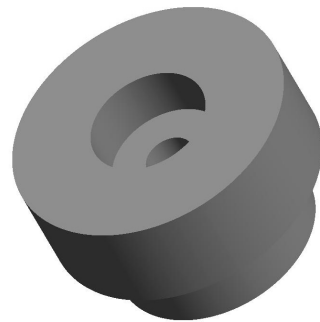


<< Back to all TYPES

## TYPE 4

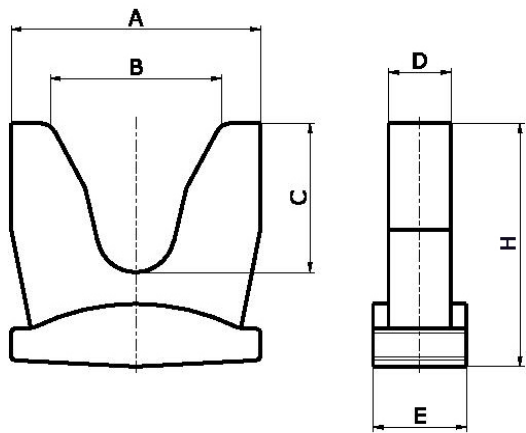


| A       | B  | C | D       | E  | F | H  | Note | SAPAT Code |
|---------|----|---|---------|----|---|----|------|------------|
| 22 x 34 | 10 | 4 | 16 x 28 | 11 | 7 | 16 | Oval | 3627       |
| 26      | 10 | 4 | 20      | 11 | 7 | 16 |      | 3626       |

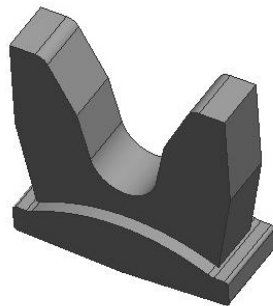


<< Back to all TYPES

## TYPE 5



| A  | B  | C  | D   | E  | H  | SAPAT Code |
|----|----|----|-----|----|----|------------|
| 32 | 22 | 20 | 8.5 | 12 | 30 | 3981       |



Square O-rings and washers



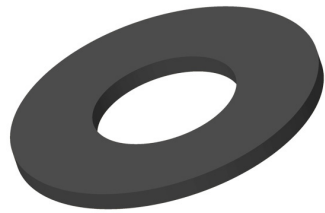
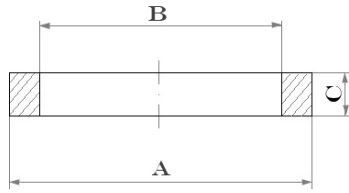
Click on the **intended** type to access the cards.

Washers

Square O-rings

Rectangular O-rings

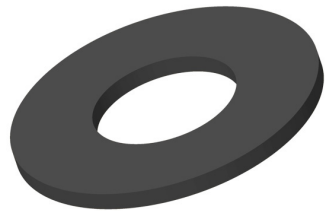
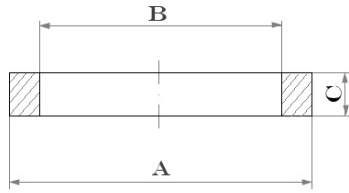
Refer to the table ordered by increasing values of the outer diameter ( Measure "A").



| A     | B    | C    | SAPAT Code |
|-------|------|------|------------|
| 6.3   | 3.5  | 3    | 4325       |
| 6.5   | 4.5  | 35   | 1574       |
| 8     | 4    | 2.5  | 2231       |
| 9     | 4.5  | 0.5  | 2228       |
| 9.5   | 3.5  | 7    | 4721       |
| 10    | 4.7  | 4    | 2241       |
| 10.5  | 4    | 23   | 1432       |
| 11    | 6.5  | 4    | 7046       |
| 12    | 5    | 3    | 3625       |
| 12    | 5    | 10   | 1274       |
| 13    | 5    | 13   | 4472       |
| 13    | 7    | 2.5  | 2229       |
| 13    | 0.65 | 4    | 2224       |
| 14    | 10   | 0.7  | 2230       |
| 14    | 6    | 3.5  | 1700       |
| 14.5  | 9.5  | 6    | 4162       |
| 15    | 6    | 13   | 4338/2     |
| 15.5  | 12.5 | 2    | 2737       |
| 15.85 | 9.52 | 3.57 | 4422       |
| 16    | 8    | 13   | 3760       |
| 16    | 8    | 6.5  | 3506       |
| 16.7  | 8.5  | 4.2  | 3890       |
| 17    | 2    | 5    | 2869       |
| 17.5  | 15   | 10   | 3468       |
| 18    | 8    | 13.5 | 4771       |
| 18    | 8    | 15   | 4766/2     |

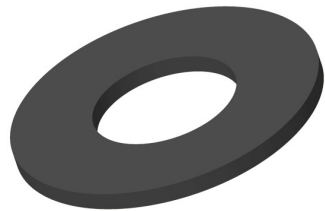
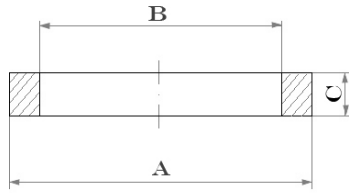
| A     | B     | C     | SAPAT Code |
|-------|-------|-------|------------|
| 18    | 12    | 15    | 4766/1     |
| 18    | 15    | 2     | 2225       |
| 18    | 8.5   | 4     | 1342       |
| 19    | 6     | 1     | 4489       |
| 19    | 11    | 5.5   | 3402       |
| 19    | 15    | 10    | 1456       |
| 19.05 | 13.89 | 3.17  | 4786       |
| 19.8  | 11.9  | 1     | 4702       |
| 20    | 12    | 12    | 4713       |
| 20    | 12    | 3.005 | 4292       |
| 20    | 10    | 6     | 3066       |
| 20    | 12    | 7     | 2277       |
| 20    | 8     | 20    | 2263       |
| 20    | 6     | 5     | 1383       |
| 20.5  | 15.5  | 11    | 1798       |
| 21    | 15    | 2     | 7045       |
| 21.5  | 10    | 10    | 7142       |
| 22    | 19.3  | 14    | 4584       |
| 22    | 17    | 8     | 4338/1     |
| 22    | 8     | 6     | 2262       |
| 22.8  | 4.6   | 14.4  | 2253       |
| 23    | 8     | 6     | 4689       |
| 23    | 19    | 1.5   | 4085       |
| 23    | 10.5  | 4.7   | 1341       |
| 23.5  | 12    | 8.3   | 4792       |





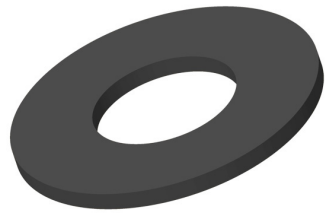
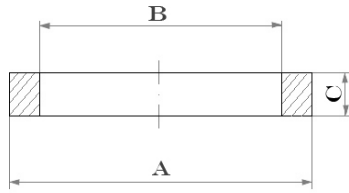
| A    | B    | C    | SAPAT Code |
|------|------|------|------------|
| 23.5 | 17.5 | 6    | 1793       |
| 24   | 5.5  | 15.5 | 4871       |
| 24   | 18   | 5    | 2455       |
| 24.5 | 17   | 10   | 4338       |
| 25   | 5    | 5    | 7108       |
| 25   | 7    | 2.2  | 4722       |
| 25   | 8    | 6.3  | 7030       |
| 25   | 14.5 | 8    | 4720       |
| 25   | 10   | 16   | 3720       |
| 25   | 11   | 2    | 1774       |
| 25   | 14   | 15   | 1370       |
| 25   | 4    | 4.2  | 1219       |
| 26   | -    | 5    | 4811       |
| 26   | 16   | 3    | 3577       |
| 28   | 12   | 15   | 4766       |
| 28   | 18   | 15   | 4765/2     |
| 28   | 22   | 15   | 4765/1     |
| 28   | 25   | 15   | 4765       |
| 28.5 | 21   | 21   | 7075       |
| 28.5 | 13.7 | 18   | 3527       |
| 28.5 | 8.5  | 2    | 2136       |
| 29   | 13   | 1.5  | 1702       |
| 29   | 24   | 7    | 1499       |
| 30   | 19   | 17.6 | 4779       |

| A     | B     | C    | SAPAT Code |
|-------|-------|------|------------|
| 30    | 18    | 7    | 4667       |
| 30    | 11    | 11   | 4387       |
| 30    | 24    | 4    | 4362       |
| 30    | 18    | 12   | 4010       |
| 30    | 22    | 7    | 3065       |
| 30    | 7     | 20   | 2740       |
| 30    | 15.5  | 8    | 2584       |
| 31    | 20    | 13   | 4339/1     |
| 31.5  | 21    | 21   | 7076       |
| 31.5  | 15    | 32.5 | 1440       |
| 32.15 | 30.5  | 3    | 1561       |
| 34    | 22    | 3.5  | 5615       |
| 35    | 21    | 21   | 7077       |
| 35    | 20    | 18   | 4339       |
| 35    | 20    | 15   | 3378       |
| 35    | 15    | 7    | 3036       |
| 35    | 24    | 16   | 2271       |
| 35.5  | 10    | 3.4  | 3379       |
| 35.71 | 27.76 | 3.17 | 4832       |
| 35.8  | 30    | 2    | 1394       |
| 36    | 16.5  | 6    | 3805       |
| 36    | 23    | 4    | 3545       |
| 36    | 12.5  | 28   | 1116       |
| 36.5  | 20    | 5.5  | 3435       |
| 37    | 30    | 22   | 1601       |
| 38    | 30.5  | 3.5  | 2787       |



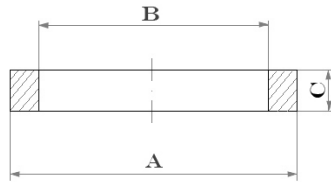
| A    | B     | C    | SAPAT Code |
|------|-------|------|------------|
| 38   | 30.5  | 1.7  | 2786       |
| 38   | 13.8  | 8    | 2584/1     |
| 38   | 24    | 4    | 1305       |
| 39   | 23    | 30   | 3629       |
| 39   | 23    | 60   | 2972       |
| 39   | 32    | 8    | 1145       |
| 40   | 30    | 15   | 4793       |
| 40   | 20    | 47   | 3418       |
| 40   | 30    | 2    | 1678       |
| 41   | 34    | 3    | 7119       |
| 41   | 20    | 9    | 3037       |
| 42   | 32    | 23   | 4058       |
| 42   | 32    | 4    | 2391       |
| 42   | 39    | 11   | 5117       |
| 43   | 23    | 2    | 2266/1     |
| 43   | 30    | 2.5  | 1465       |
| 45   | 22    | 20   | 7087       |
| 45   | 40    | 2.5  | 3087       |
| 45   | 37    | 2.5  | 2383       |
| 45   | 39    | 8    | 1459       |
| 47   | 30    | 2.5  | 1466       |
| 47   | 40    | 2.5  | 7564       |
| 47.5 | 34.9  | 2.4  | 4881       |
| 48   | 35    | 7    | 1811       |
| 48   | 38    | 170  | 1367       |
| 48.5 | 11.25 | 3.75 | 4420       |
| 49.5 | 43    | 7    | 4181       |

| A    | B    | C    | SAPAT Code |
|------|------|------|------------|
| 50   | 22   | 23   | 7041       |
| 50   | 27   | 9    | 3038       |
| 50   | 20   | 50   | 1803       |
| 50   | 38   | 2.5  | 1553       |
| 51   | 44   | 7    | 4674       |
| 52   | 28   | 15   | 4847       |
| 51   | 47   | 1.2  | 2227       |
| 53.4 | 47   | 2    | 1693       |
| 55   | 49   | 8    | 1458       |
| 57   | -    | 2.8  | 1507       |
| 57   | 45   | 16   | 1174       |
| 57.5 | 38   | 14.2 | 4567       |
| 58   | 33   | 3    | 3749       |
| 58   | 50   | 4    | 2268/1     |
| 60   | 54   | 1.5  | 3089       |
| 60   | 32   | 12   | 2237       |
| 63.5 | 38   | 2.5  | 4566       |
| 63.7 | 49   | 11   | 4458       |
| 64   | 56   | 4    | 4728       |
| 65   | 39   | 2.5  | 4697       |
| 65   | 56   | 6    | 2532       |
| 68   | 60   | 4    | 2268       |
| 70   | 54   | 5    | 4698       |
| 70   | 60   | 19   | 7393       |
| 71.5 | 63.5 | 4    | 4920       |
| 72   | 54   | 2.5  | 1467       |



| A      | B      | C    | SAPAT Code |
|--------|--------|------|------------|
| 77     | 66     | 3.5  | 1624       |
| 78.2   | 71.6   | 4.7  | 4729       |
| 80     | 65     | 4    | 4905       |
| 80     | 5      | 5    | 3484       |
| 80     | 58     | 2.5  | 2492/1     |
| 80     | 50     | 70   | 1989       |
| 83     | 75     | 3    | 3338       |
| 85     | 77     | 5    | 4802       |
| 85     | -      | 5    | 3609       |
| 87     | 83     | 20   | 7363       |
| 90     | 80     | 19   | 7449       |
| 94     | 90     | 45   | 7391       |
| 95     | 45     | 20   | 4533       |
| 98     | 18     | -    | 2093       |
| 102    | 90     | 3.2  | 3914/1     |
| 103    | 63     | 100  | 3702       |
| 108    | 72     | 20   | 4778       |
| 110    | 104    | 2.5  | 1963       |
| 115    | 98     | 30   | 7429       |
| 120    | 100    | 30   | 7170       |
| 120    | 114    | 3    | 2288       |
| 120    | 33     | 20   | 1812       |
| 120    | 30     | 30   | 1360/1     |
| 124    | 91     | 2    | 1732       |
| 125.37 | 114.19 | 3.2  | 3914       |
| 126    | 5.6    | 3.97 | 1939       |
| 128    | 76     | 3    | 4399       |
| 128    | 76     | 5    | 4398       |
| 146    | 90     | 60   | 4423       |

| A      | B     | C    | SAPAT Code |
|--------|-------|------|------------|
| 147    | 137   | 1    | 3153       |
| 150    | 30    | 30   | 1360       |
| 159    | 147   | 3    | 4651       |
| 178    | 125.5 | 6    | 4517       |
| 178    | 125.5 | 8    | 4411       |
| 180    | 110   | 8    | 4897       |
| 180    | 110   | 6    | 4896       |
| 180    | 100   | 10   | 4412       |
| 186    | 130   | 10   | 1220       |
| 209    | 189   | 10   | 7173       |
| 219    | 195   | 5    | 2492       |
| 220    | 200   | 10   | 4023       |
| 222.64 | 190.5 | 12.7 | 4724       |
| 230    | 212   | 3    | 2270       |
| 240    | 230   | 14   | 1582       |
| 290    | 270   | 10   | 2507       |
| 300    | 180   | 20   | 2579       |
| 355    | 325   | 7    | 2395       |
| 490    | 464   | 13   | 3480       |



| A     | B     | C   | SAPAT Code |
|-------|-------|-----|------------|
| 35.5  | 29.8  | 3.2 | 5545       |
| 37.9  | 31.7  | 3.2 | 5618       |
| 40.2  | 34.3  | 3.3 | 5445       |
| 42    | 36.1  | 3.3 | 5569       |
| 44.65 | 38.75 | 3.3 | 5446       |
| 49.5  | 42.8  | 3.3 | 5552       |
| 50.9  | 42.5  | 3.2 | 5552/1     |
| 51    | 46    | 3.3 | 5443       |
| 54.5  | 48.45 | 3.3 | 5444       |
| 59.7  | 53.7  | 3.2 | 5508       |
| 64.5  | 59.5  | 2.6 | 5522       |





## Grommets



Click on the intended **type** to access the cards.

Holed Grommets

Cable Grommet

Oval Grommets

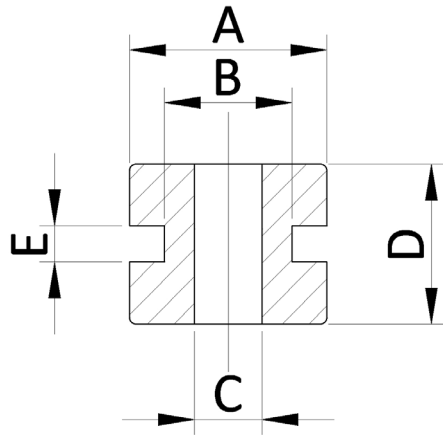
Other Grommets

<< Back to all TYPES

The following tables are ordered by increasing value of the outer diameter.

1/7

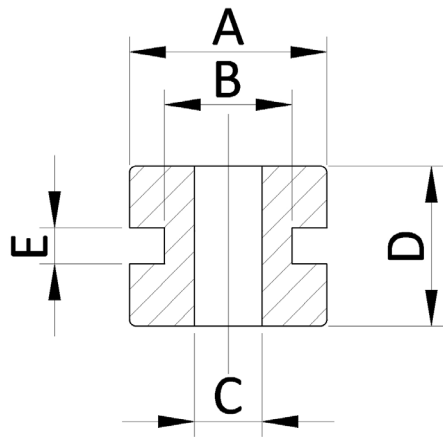
# HOLED Grommets



| A    | B   | C           | D   | E   | Note    | SAPAT Code |
|------|-----|-------------|-----|-----|---------|------------|
| 7    | 4.5 | 1.8         | 6   | 1.2 |         | 7221       |
| 8    | 5   | 3           | 5   | 1   |         | 4717       |
| 9    | 6   | 4.5         | 6   | 3   | Squared | 4735       |
| 9    | 6   | 4           | 5   | 1   |         | 7311       |
| 10   | 7   | 5.5         | 4   | 1   |         | 3667       |
| 10   | 7   | 4           | 12  | 8   |         | 2308       |
| 10   | 7   | 4           | 5.5 | 1.5 |         | 3774       |
| 10   | 7   | 5           | 6.5 | 2.5 |         | 4994       |
| 10   | 7   | 5           | 6   | 2   |         | 2234       |
| 10   | 7   | 4           | 6   | 3   |         | 3798       |
| 10.5 | 7   | 4           | 6   | 1   |         | 7296       |
| 11.5 | 9   | 3 (2 holes) | 5.5 | 2   |         | 4140/1     |
| 12   | 8   | 5           | 5   | 1.5 |         | 3799       |
| 12   | 8   | 5           | 6   | 3   |         | 7370       |
| 12   | 8   | 5           | 8   | 3   |         | 4028       |
| 12   | 9   | 7           | 6   | 2   |         | 4715       |
| 13   | 9.5 | 5.3         | 7   | 2   |         | 7261       |
| 13   | 9.5 | 7           | 5.5 | 1.5 |         | 7264       |
| 13   | 9   | 6           | 6   | 1.5 |         | 7355       |
| 12.5 | 9   | 5.6         | 7.5 | 2.6 |         | 1639       |
| 13   | 11  | 9           | 5.5 | 4   |         | 4140       |
| 13.5 | 9.8 | 5.6         | 9   | 3   |         | 7251       |
| 13.5 | 9   | 4           | 7.1 | 1.5 |         | 4000       |
| 14   | 10  | 6           | 8   | 2   |         | 866        |
| 14   | 10  | 7           | 5.5 | 1.5 |         | 782        |
| 15   | 10  | 5           | 9.5 | 4.5 |         | 4357       |

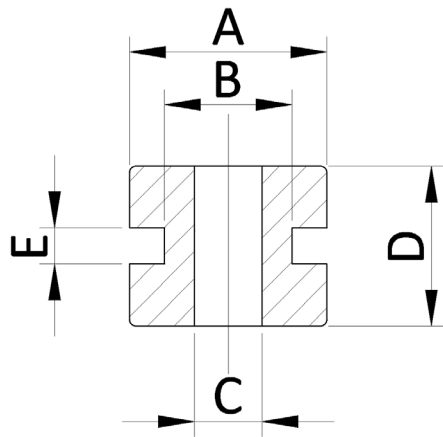


## HOLED Grommets



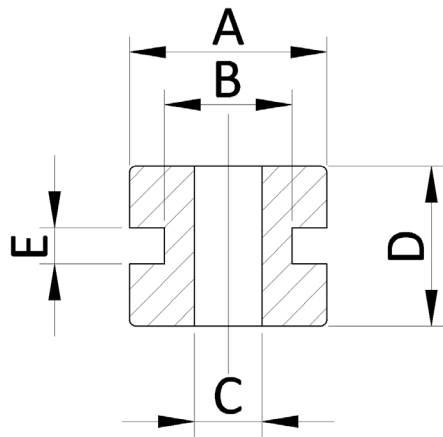
| A  | B  | C          | D   | E   | SAPAT Code |
|----|----|------------|-----|-----|------------|
| 15 | 10 | 7          | 7   | 3   | 7154       |
| 16 | 10 | 5.8        | 10  | 2   | 3719       |
| 16 | 10 | 6          | 7   | 1   | 7263       |
| 16 | 10 | 6          | 8   | 1.5 | 7418       |
| 16 | 10 | 7          | 6.5 | 1   | 2615       |
| 16 | 11 | 6          | 8   | 2   | 3933       |
| 16 | 12 | 3 (2 fori) | 5   | 1   | 7008       |
| 16 | 13 | 10         | 5   | 1   | 3554       |
| 17 | 9  | 5          | 10  | 2   | 4969       |
| 18 | 11 | 6.8        | 12  | 6   | 3220       |
| 18 | 12 | 6          | 8.5 | 2   | 7377       |
| 18 | 12 | 8.5        | 6   | 1.5 | 7371       |
| 18 | 12 | 8          | 10  | 3   | 3256       |
| 18 | 12 | 8          | 8   | 3   | 3857       |
| 18 | 12 | 9          | 10  | 2   | 785        |
| 18 | 12 | 9          | 12  | 5   | 4767       |
| 18 | 12 | 9          | 5.5 | 1.5 | 7244       |
| 18 | 12 | 10         | 11  | 5   | 3502       |
| 18 | 13 | 9          | 12  | 3.5 | 7236       |
| 18 | 14 | 5          | 5   | 1.5 | 1968       |
| 18 | 14 | 5          | 8   | 4   | 1967       |
| 18 | 14 | 6          | 12  | 8   | 2530       |
| 18 | 14 | 8          | 7.5 | 1.5 | 7245       |
| 18 | 14 | 10         | 5   | 1.5 | 2320       |
| 18 | 14 | 10         | 7   | 1.5 | 2881       |

# HOLED Grommets



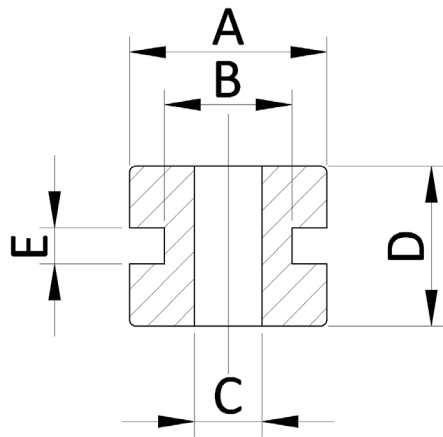
| A    | B    | C    | D    | E   | SAPAT Code |
|------|------|------|------|-----|------------|
| 18   | 14   | 10   | 7    | 2   | 7266       |
| 18   | 14   | 10   | 10   | 2   | 4122       |
| 18   | 14   | 8    | 7    | 3   | 3297       |
| 18   | 14   | 8    | 7.5  | 2.5 | 7262       |
| 18   | 15.5 | 8    | 16   | 9.5 | 2576       |
| 18.5 | 16   | 7    | 13   | 2   | 4155       |
| 19   | 14   | 9    | 11   | 4.5 | 3773       |
| 19   | 14   | 9    | 11   | 6   | 7292       |
| 19   | 14.5 | 11   | 12   | 6   | 7642       |
| 20   | 12   | 3    | 26   | -   | 2474       |
| 20   | 14   | 9    | 11.5 | 1.5 | 7410       |
| 20   | 15   | 10   | 5    | 1   | 3605       |
| 20   | 15   | 12   | 7.5  | 1.5 | 4232       |
| 20   | 16   | 9    | 16   | 10  | 2509       |
| 20   | 16   | 10   | 11   | 5   | 7437       |
| 20   | 16   | 12   | 7    | 2.5 | 4761       |
| 20   | 16   | 12   | 2.5  | 0.5 | 2048       |
| 20   | 16   | 12   | 5.5  | 1.5 | 2434       |
| 20   | 16   | 12   | 6.5  | 2.5 | 2049       |
| 20   | 16   | 12   | 6.5  | 2.5 | 4407       |
| 20.7 | 16.7 | 11.2 | 11   | 2.2 | 7516       |
| 21   | 14   | 12   | 8    | 2   | 3564       |
| 21   | 15   | 9    | 14   | 8   | 2133       |
| 21   | 16.6 | 11.7 | 14.6 | 3.1 | 7596       |
| 22   | 15   | 8    | 8    | 3   | 4551       |
| 22   | 15   | 12   | 8    | 3   | 4550       |

## HOLED Grommets



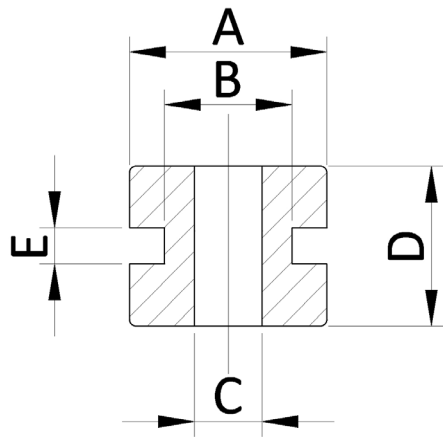
| A    | B    | C    | D    | E    | SAPAT Code |
|------|------|------|------|------|------------|
| 22   | 15.5 | 9    | 14   | 5    | 4861       |
| 22   | 16   | 8    | 18.5 | 10.5 | 3647       |
| 22   | 16   | 10   | 6    | 2    | 2441       |
| 22   | 16   | 10   | 8    | 1.5  | 3776       |
| 22   | 16   | 10   | 8    | 2    | 1418       |
| 22   | 16   | 10   | 9    | 4    | 4979       |
| 22   | 16   | 10   | 10   | 3    | 1638       |
| 22   | 16   | 10   | 10   | 4    | 2511       |
| 22   | 16   | 12   | 14   | 8    | 3995       |
| 22   | 16   | 12   | 17   | 11   | 2087       |
| 22   | 17   | 13   | 8    | 1.5  | 2911       |
| 22.5 | 15   | 10.5 | 7.5  | 1.5  | 4942       |
| 23   | 16.2 | 12   | 9    | 2    | 7443       |
| 23   | 18   | 12   | 12   | 6    | 7163       |
| 24   | 18   | 12   | 10   | 3    | 7285       |
| 24   | 18   | 12   | 10   | 2.5  | 4431       |
| 24   | 18   | 12   | 8    | 1.5  | 3840       |
| 24   | 19   | 9    | 12   | 3.5  | 7444       |
| 24   | 19   | 14   | 10   | 2.2  | 7238       |
| 24   | 20   | 16   | 5.5  | 1.5  | 2437       |
| 24   | 20   | 18   | 10   | 3.5  | 4826       |
| 25   | 16.2 | 9.2  | 14.7 | 3.6  | 7465       |
| 25   | 18   | 12   | 11   | 2    | 7423       |
| 25   | 19   | 13   | 13   | 7    | 2795       |
| 25   | 20   | 15   | 8    | 2    | 1516       |

# HOLED Grommets



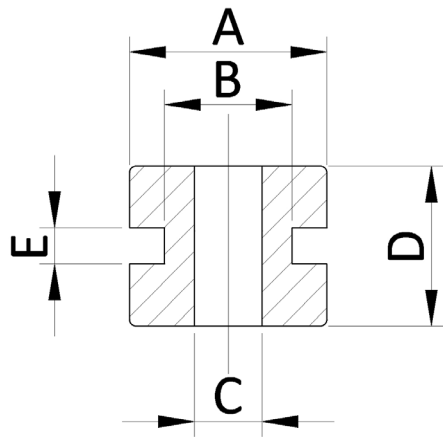
| A    | B    | C   | D                     | E   | SAPAT Code |
|------|------|-----|-----------------------|-----|------------|
| 25   | 20.5 | 10  | 12                    | 1.6 | 7576       |
| 26   | 18   | 8   | 15                    | 4   | 3086       |
| 26   | 20   | 17  | 10                    | 2   | 7239       |
| 26   | 18   | 10  | 26                    | 20  | 7525       |
| 27   | 19   | 9   | 13.5                  | 5   | 7532       |
| 27   | 20   | 14  | 10                    | 3   | 3858       |
| 27   | 20   | 14  | 8                     | 1.5 | 7283       |
| 28   | 20   | 9.5 | 7.5                   | 1.5 | 7356       |
| 28   | 22   | 14  | 6.5                   | 2.5 | 1987       |
| 28   | 22   | 18  | 14 <sup>(8+2+4)</sup> | 2   | 783        |
| 28   | 23   | 18  | 19                    | 1.5 | 2569       |
| 28   | 23   | 19  | 12                    | 4   | 4968       |
| 28   | 25   | 20  | 5.5                   | 1.5 | 2438       |
| 28.8 | 24.8 | 14  | 16                    | 3   | 5409       |
| 29   | 22   | 16  | 10                    | 3   | 7171       |
| 29   | 22   | 16  | 8                     | 1.5 | 3548       |
| 30   | 24   | 16  | 10                    | 3   | 7016       |
| 30   | 25   | 20  | 10                    | 4   | 1966       |
| 30   | 25   | 20  | 8.5                   | 2.5 | 2212       |
| 32   | 27   | 22  | 9                     | 1.5 | 2699       |
| 32   | 28   | 24  | 8                     | 1   | 3325       |
| 33   | 25   | 18  | 10                    | 1.5 | 3801       |
| 33   | 25   | 18  | 12                    | 3   | 3777       |
| 34   | 25   | 9.5 | 16                    | -   | 4825       |
| 35   | 27   | 19  | 15                    | 8   | 826        |
| 35   | 30   | 25  | 8.5                   | 2.5 | 4946       |

## HOLED Grommets



| A    | B     | C     | D   | E   | SAPAT Code |
|------|-------|-------|-----|-----|------------|
| 35   | 25    | 16    | 35  | 15  | 7579       |
| 36   | 28    | 20    | 10  | 1.5 | 3612       |
| 36   | 28    | 20    | 12  | 3   | 3613       |
| 37   | 33    | 21.5  | 10  | 8   | 4571       |
| 38   | 30    | 22    | 10  | 1.5 | 3614       |
| 38   | 30    | 22    | 12  | 3   | 3615       |
| 40   | 26    | 20    | 11  | 3   | 3565       |
| 40   | 33    | 30    | 8   | 1   | 4170       |
| 41   | 32.5  | 24.5  | 12  | 1.5 | 3616       |
| 42   | 33    | 25    | 13  | 3   | 3617       |
| 44   | 35    | 25    | 15  | 5   | 4136       |
| 45   | 34    | 31    | 12  | 6   | 4117       |
| 45.5 | 35.6  | 29.6  | 10  | 1.5 | 7172       |
| 46   | 38    | 30    | 12  | 1.5 | 3636       |
| 46   | 38    | 30    | 13  | 3   | 3637       |
| 49   | 42    | 32.7  | 8.5 | 4   | 7508       |
| 50   | 38    | 26    | 40  | -   | 2135       |
| 50   | 42    | 33    | 10  | 2   | 7218       |
| 52   | 41    | 32    | 13  | 2.5 | 4866       |
| 55   | 46    | 43    | 9   | 6   | 4120       |
| 55.4 | 43.33 | 33.25 | 19  | 11  | 4521       |
| 56   | 47    | 37    | 11  | 2   | 4943       |
| 60   | 53    | 43    | 6.5 | 1.5 | 4135       |
| 67   | 60    | 48    | 10  | 2.5 | 7628       |

# HOLED Grommets



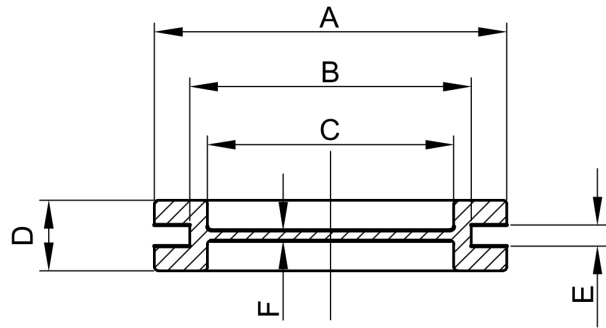
| A    | B    | C     | D    | E   | SAPAT Code |
|------|------|-------|------|-----|------------|
| 73.4 | 55.6 | 45.25 | 19   | 9   | 4522       |
| 80   | 60   | 48    | 19   | 11  | 7411       |
| 86   | 77   | 72    | 7    | 1   | 4190       |
| 87.5 | 84   | 80.5  | 6.3  | 2.5 | 7592       |
| 90   | 82   | 74    | 10.7 | 3   | 7577       |
| 104  | 92   | 86    | 14   | 10  | 4581       |
| 109  | 100  | 95    | 7    | 1   | 4191       |



<< Back to all TYPES

The following table is ordered by increasing value of the outer diameter.

## CABLE Grommets

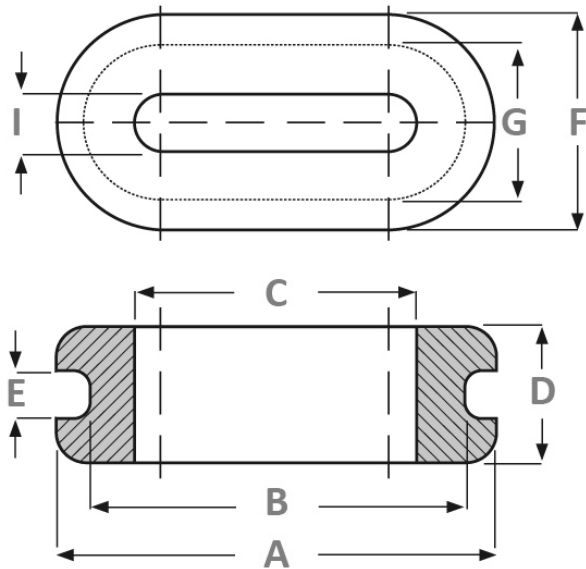


| A   | B   | C            | D   | E   | F | SAPAT Code |
|-----|-----|--------------|-----|-----|---|------------|
| 15  | 10  | 7.5 - Hole 4 | 6.8 | 2   | 1 | 7519       |
| 20  | 14  | 10           | 8   | 2   | 1 | 4125       |
| 22  | 16  | 10 - 3       | 11  | 5   | 1 | 7507       |
| 23  | 17  | 13           | 8   | 2   | 1 | 4739       |
| 25  | 19  | 15           | 13  | 5   | 1 | 4996       |
| 27  | 20  | 14 - 5       | 8   | 2.5 | 1 | 4876       |
| 28  | 21  | 17           | 8   | 2   | 1 | 4127       |
| 28  | 22  | 10           | 7   | 1   | 1 | 3328       |
| 30  | 23  | 18           | 10  | 2   | 1 | 4128       |
| 32  | 26  | 20           | 14  | 6   | 1 | 4995       |
| 34  | 24  | 18 - 5       | 13  | 4   | 1 | 7677       |
| 33  | 25  | 16           | 9   | 1.5 | 1 | 7413       |
| 33  | 26  | 21           | 10  | 2   | 1 | 4129       |
| 33  | 27  | 12           | 7   | 1   | 1 | 3329       |
| 39  | 34  | 27           | 12  | 4   | 1 | 4295       |
| 40  | 33  | 27           | 11  | 2   | 1 | 7003       |
| 40  | 33  | 27           | 11  | 4   | 1 | 7003 H4    |
| 40  | 34  | 27           | 10  | 2   | 1 | 3664       |
| 46  | 35  | 28 - 5       | 11  | 1.5 | 1 | 7414       |
| 46  | 38  | 33           | 11  | 2   | 1 | 4131       |
| 46  | 38  | 33           | 11  | 4   | 1 | 4131 H4    |
| 48  | 40  | 30 - 21      | 8   | 2   | 1 | 7369       |
| 48  | 42  | 36           | 13  | 3   | 1 | 4604       |
| 49  | 39  | 39           | 8   | 4   | 1 | 2108       |
| 52  | 44  | 38 - 10      | 9   | 2   | 1 | 3592       |
| 55  | 44  | 38           | 9   | 3   | 1 | 4828       |
| 55  | 48  | 40 - 15      | 13  | 3   | 1 | 4577       |
| 58  | 48  | 42           | 12  | 2   | 1 | 4134       |
| 67  | 60  | 50           | 13  | 3   | 1 | 7103       |
| 67  | 60  | 50 - 20      | 13  | 3   | 1 | 7103 F 20  |
| 90  | 75  | 65           | 12  | 2   | 1 | 4163       |
| 110 | 100 | 90 - 30      | 20  | 10  | 1 | 7524       |

<< Back to all TYPES

The following table is ordered by increasing value of the outer diameter.

## OVAL Grommets



| A   | B   | C              | D    | E   | F    | G  | H    | SAPAT Code |
|-----|-----|----------------|------|-----|------|----|------|------------|
| 18  | 15  | 4<br>(2 holes) | 7    | 1   | 12   | 9  | -    | 2016       |
| 22  | 19  | 5<br>(2 holes) | 11   | 1.5 | 12   | 9  | -    | 3486       |
| 39  | 29  | 14.5           | 24.6 | 6   | 34.8 | 25 | 10.5 | 7447       |
| 63  | 55  | 52             | 8.4  | 1.5 | 37   | 27 | 26   | 7426       |
| 63  | 55  | 51             | 11   | 4   | 38   | 30 | 27   | 7426 H4    |
| 78  | 70  | 67             | 8.3  | 1.5 | 48   | 40 | 36   | 7430       |
| 88  | 70  | 64             | 12   | 1.5 | 50   | 32 | 26   | 3255       |
| 218 | 198 | 188            | 22   | 12  | 118  | 98 | 88   | 7497       |



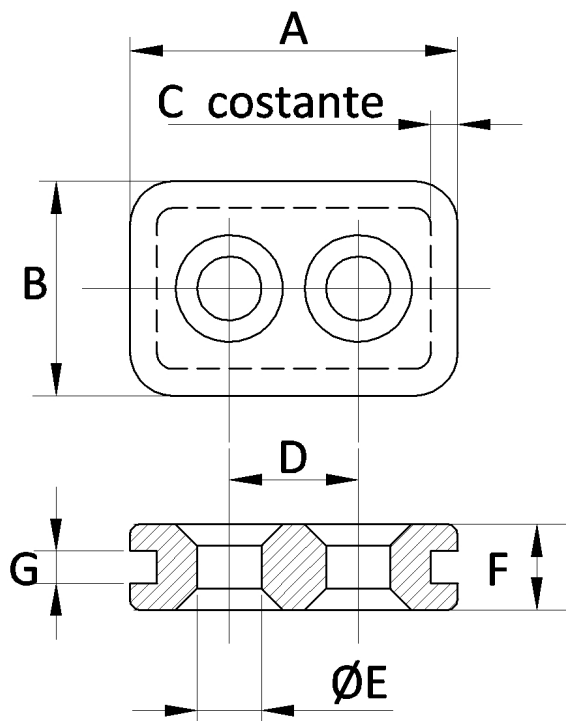


<< Back to all TYPES

Scroll through the table below to find the right rectangular grommet that fits your needs.

1/2

## OTHER Grommets



| A    | B  | C   | D   | E  | F   | G    | SAPAT Code |
|------|----|-----|-----|--|-----|------|------------|
| 13.5 | 10 | 1   | 6.3 | 3,4 (2 holes)                                  | 6   | 2    | 4877       |
| 23.5 | 12 | 3   | 4.7 | 1,9 (2 holes)<br>4,2 (2 holes)<br>3,5 (1 hole) | 7.5 | 1.85 | 7459       |
| 18.5 | 15 | 4.2 | 5.5 | 2,5 (2 holes)                                  | 13  | 2    | 7068       |
| 80   | 43 | 5   | 18  | 12 (2 holes)                                   | 7   | 2    | 3863       |



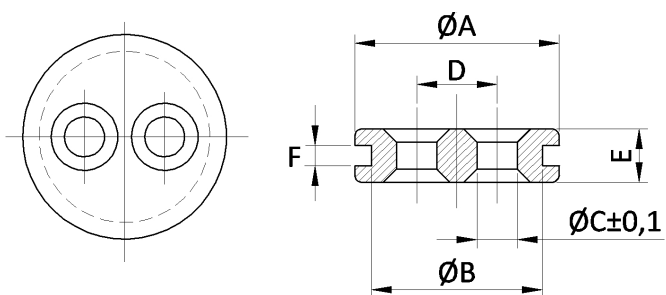
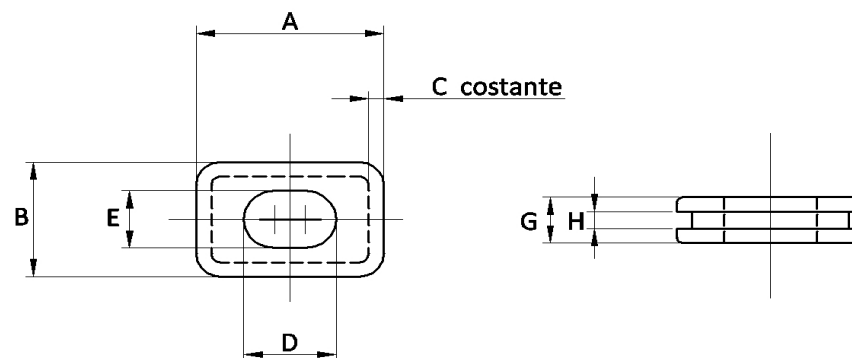
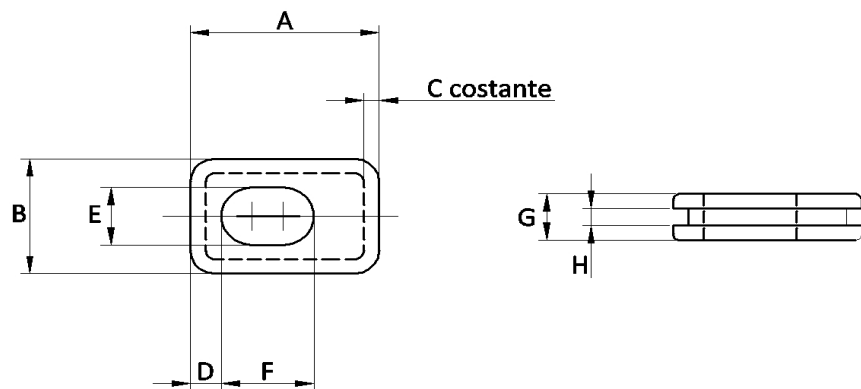
<< Back to all TYPES

Scroll through the table below to find the right rectangular grommet that fits your needs.

2/2

# OTHER Grommets

| A    | B  | C   | D | E  | F  | G | H | SAPAT Code |
|------|----|-----|---|----|----|---|---|------------|
| 30.5 | 20 | 2.5 | 5 | 10 | 15 | 8 | 3 | 4342       |



| ØA | ØB | ØC | D | E | F | SAPAT Code |
|----|----|----|---|---|---|------------|
| 16 | 12 | 3  | 6 | 5 | 1 | 4875       |

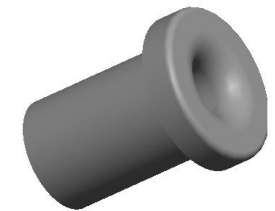
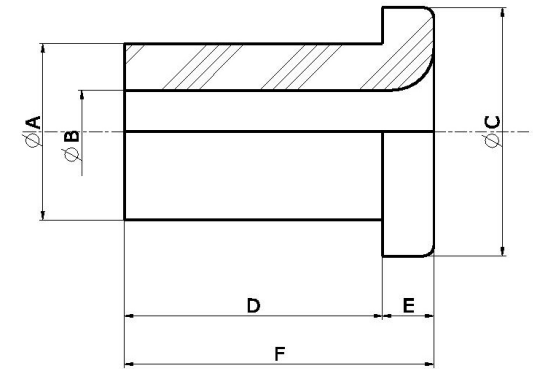


Cases



See the table below sorted by increasing values of the conventional indication B x F.

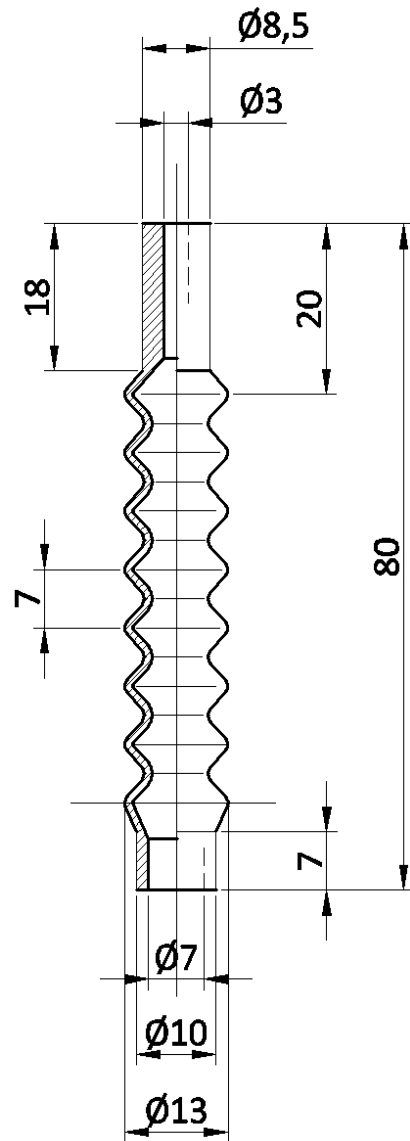
| B x F   | D  | E | B  | A  | C  | F  | SAPAT Code |
|---------|----|---|----|----|----|----|------------|
| 8 x 17  | 12 | 5 | 8  | 17 | 24 | 17 | 1509       |
| 8 x 30  | 25 | 5 | 8  | 17 | 24 | 30 | 2498       |
| 10 x 38 | 30 | 6 | 10 | 20 | 28 | 38 | 1679       |
| 12 x 24 | 18 | 6 | 12 | 22 | 30 | 24 | 391        |
| 16 x 28 | 20 | 7 | 16 | 25 | 35 | 28 | 696        |
| 20 x 32 | 25 | 7 | 20 | 30 | 40 | 32 | 804        |
| 25 x 38 | 30 | 8 | 25 | 35 | 45 | 38 | 928        |



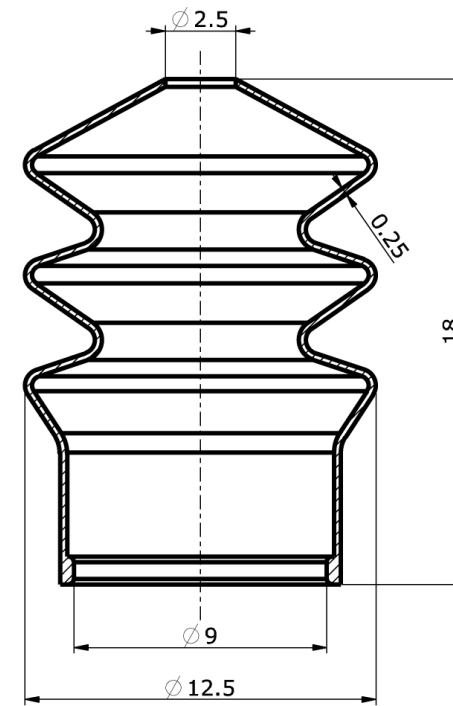
Bellows



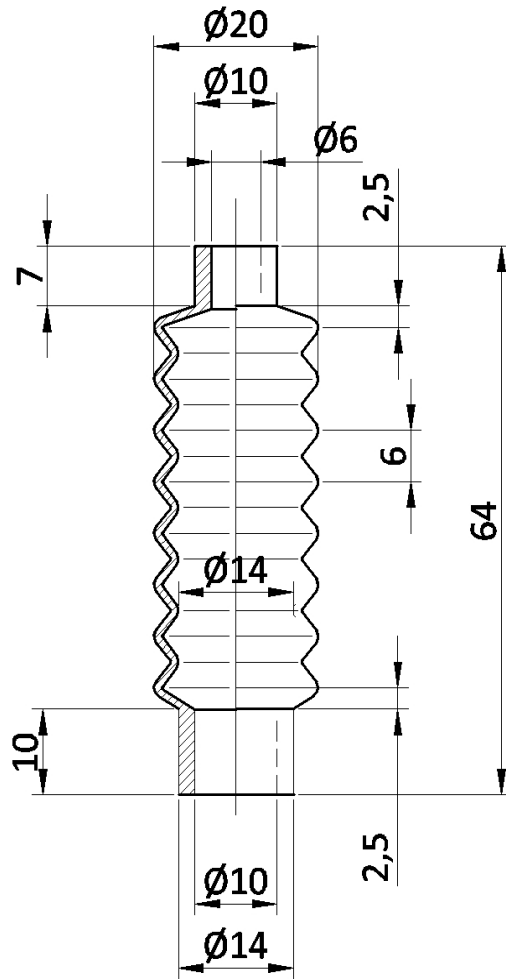
5593



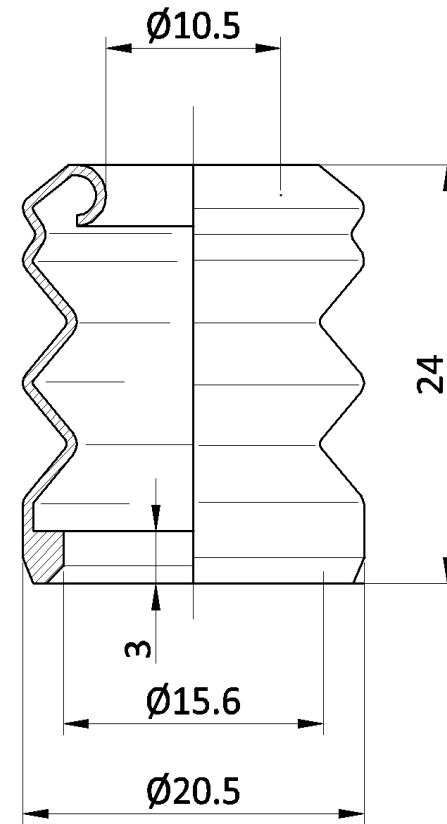
1899



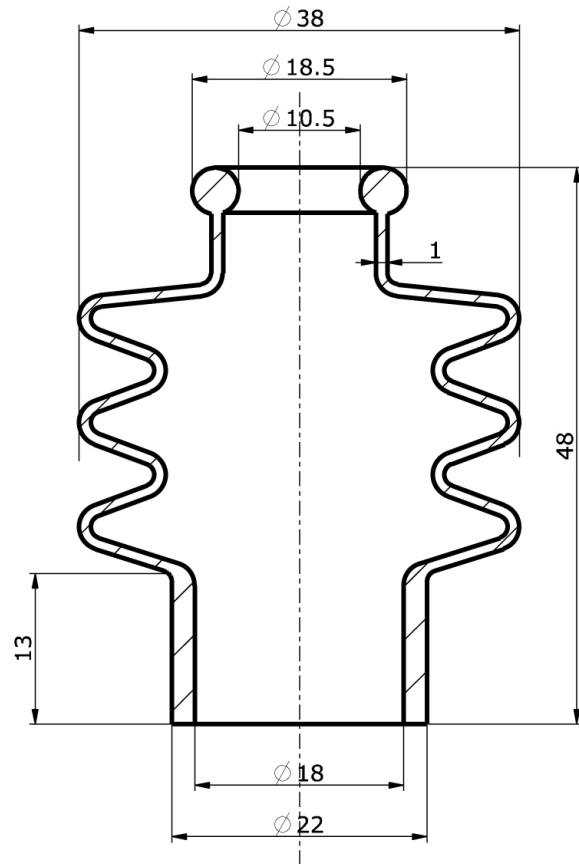
4166



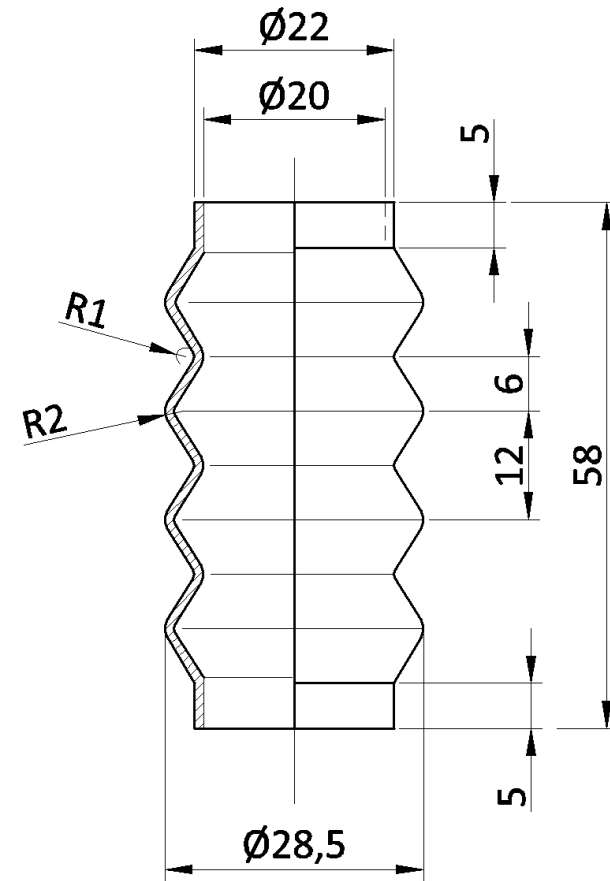
5527



1827

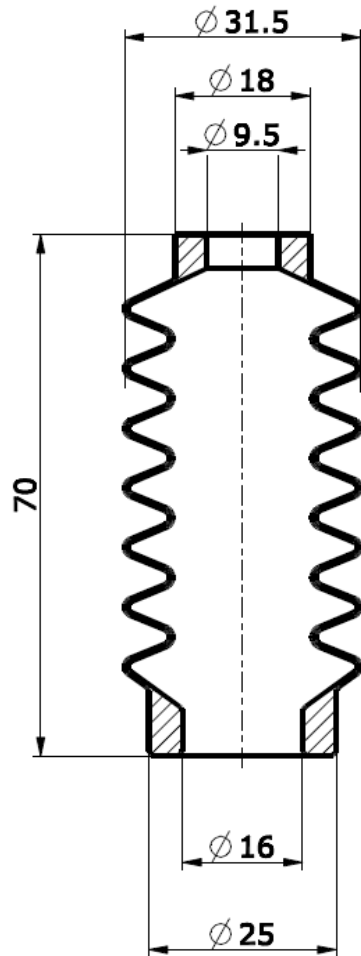


4480

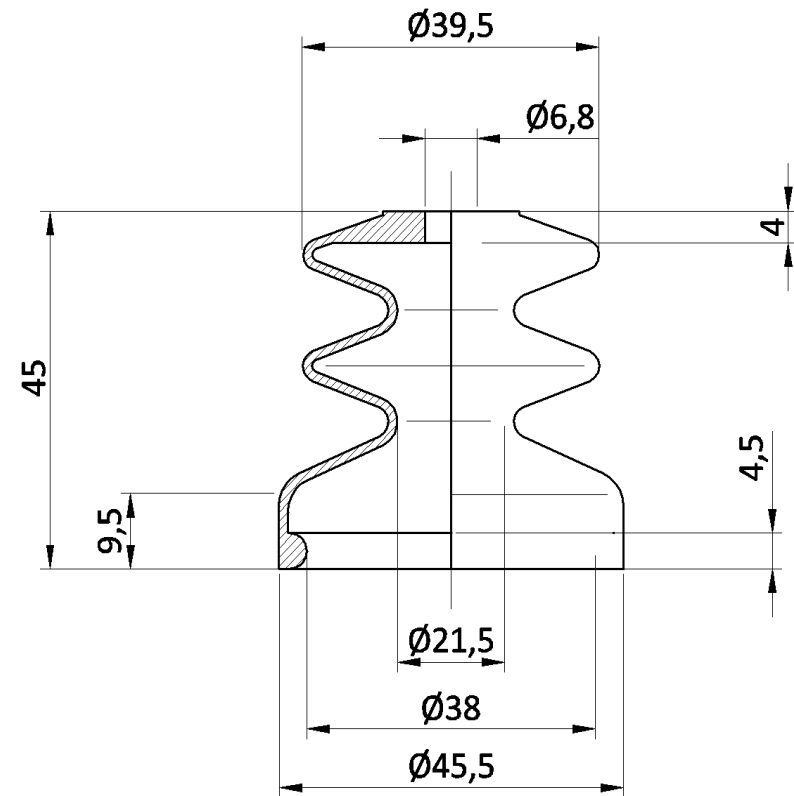




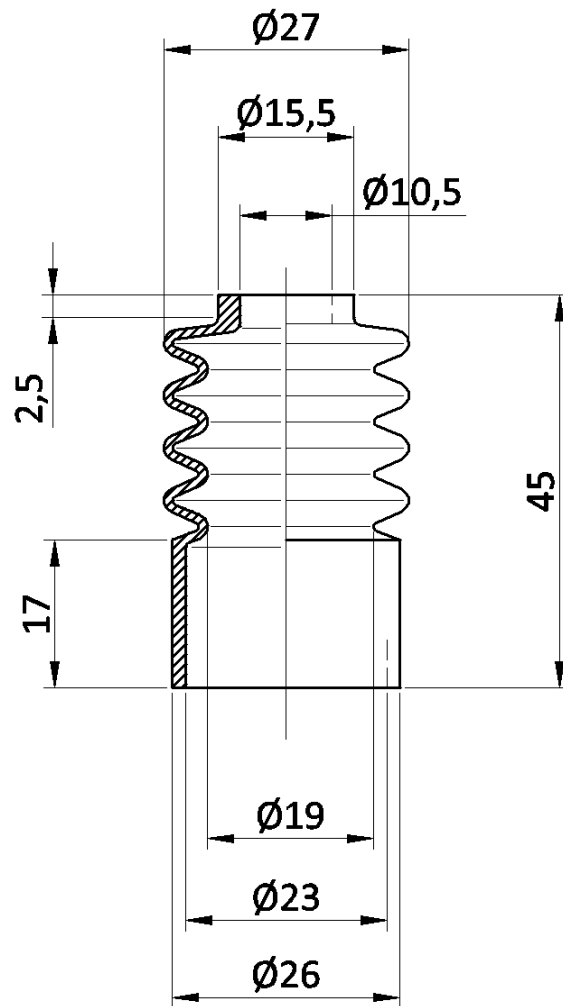
7023



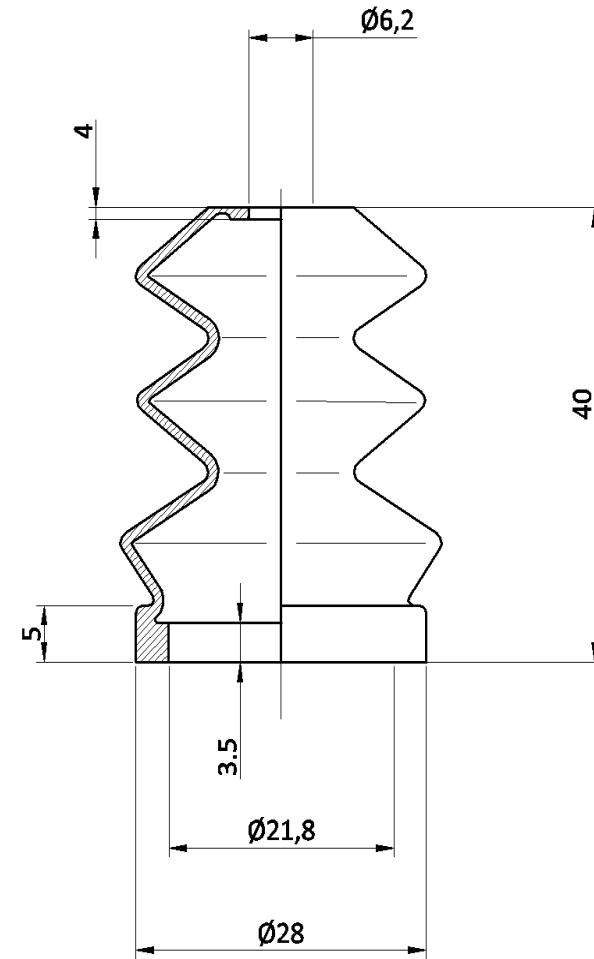
5435



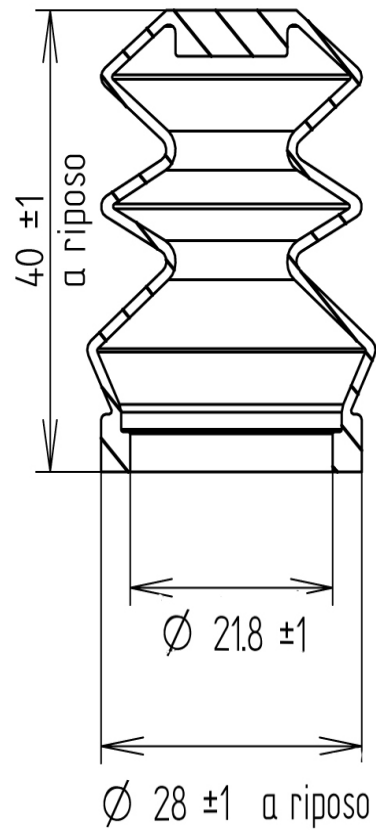
1769



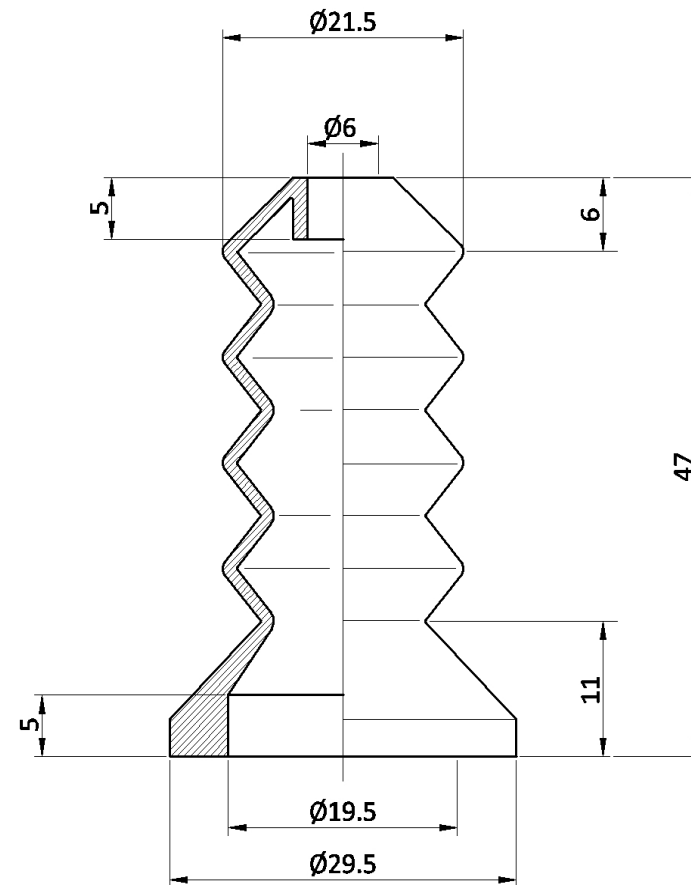
5440



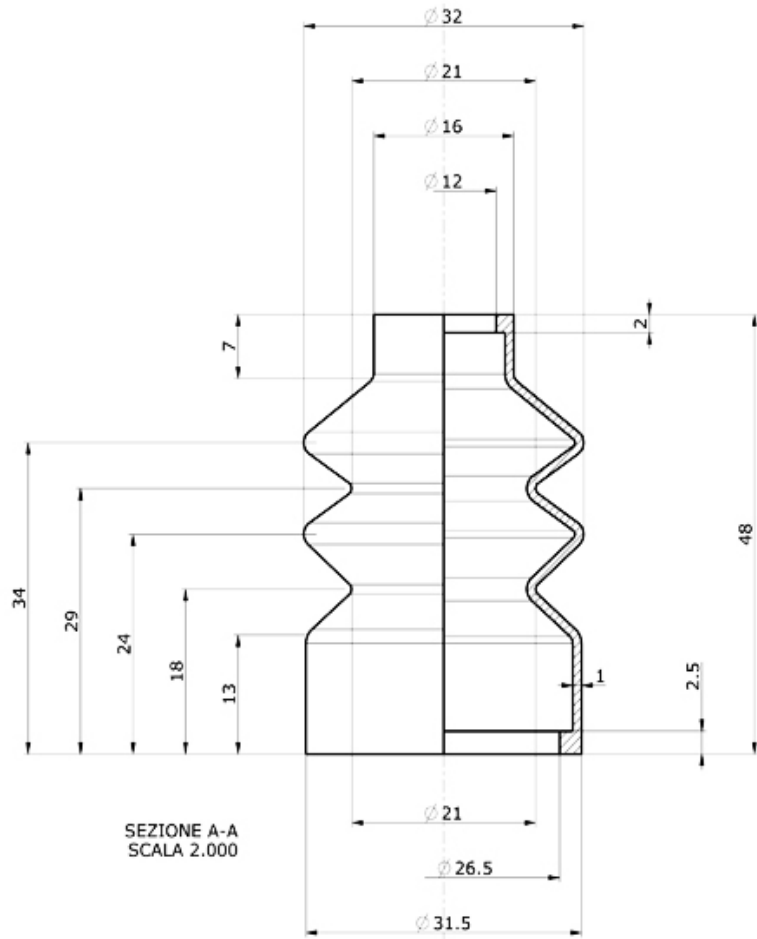
5630



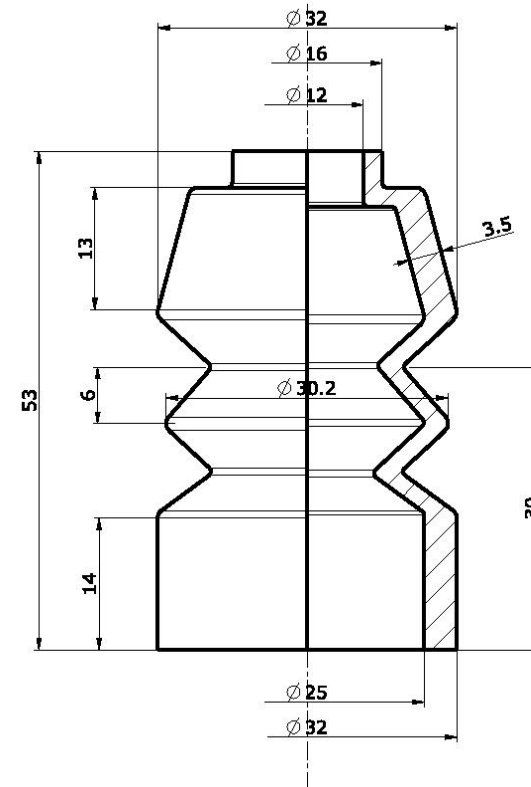
5524



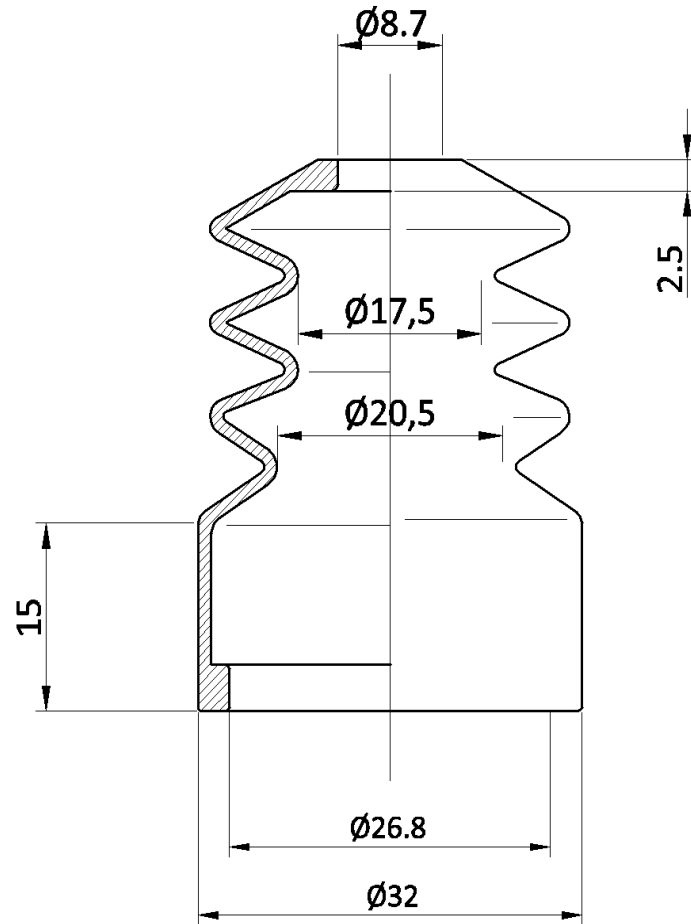
5434



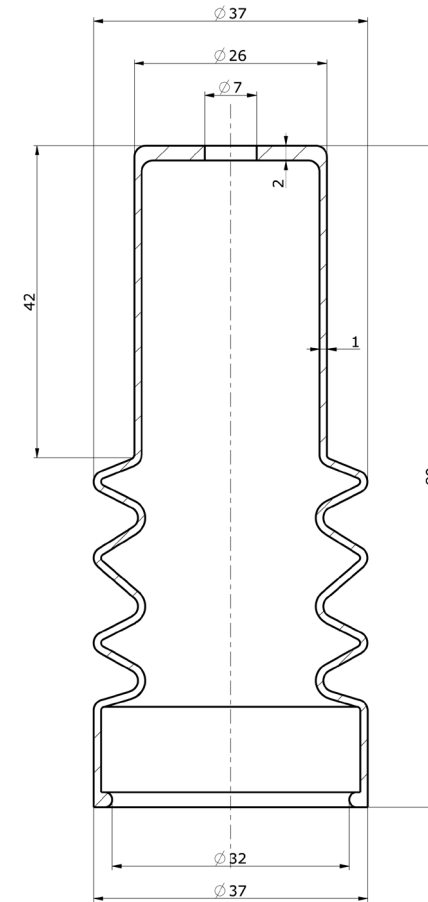
1710



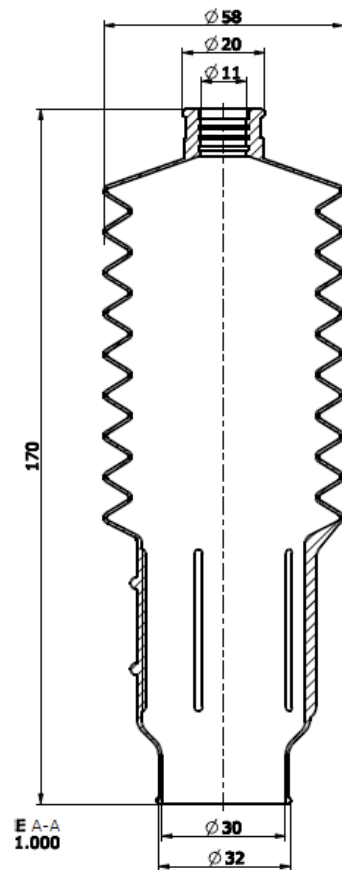
5565



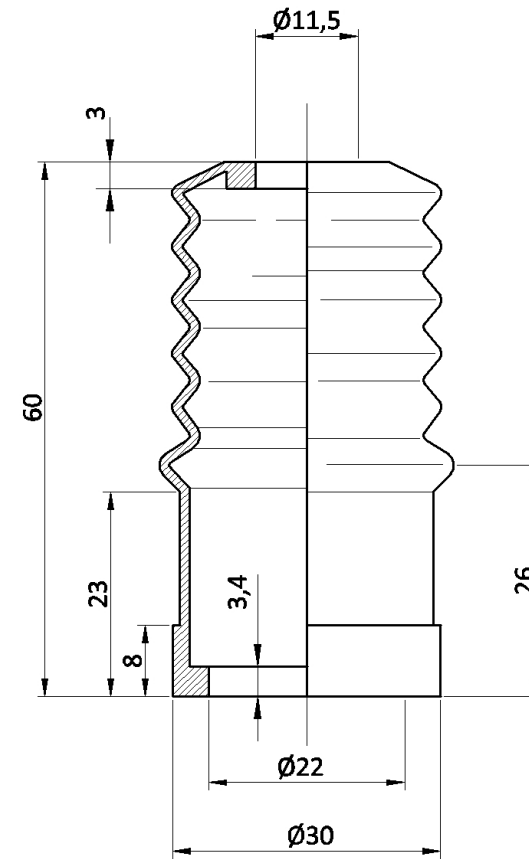
2689



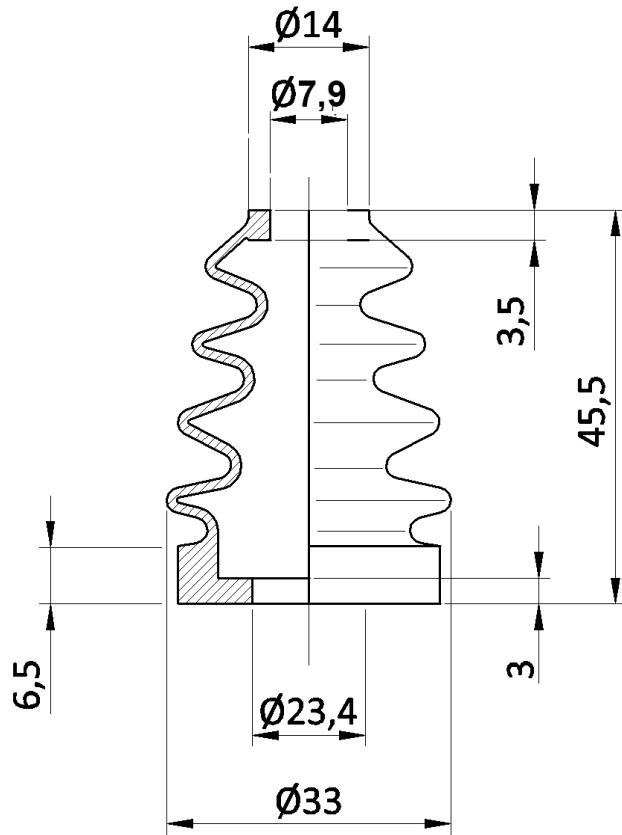
7022



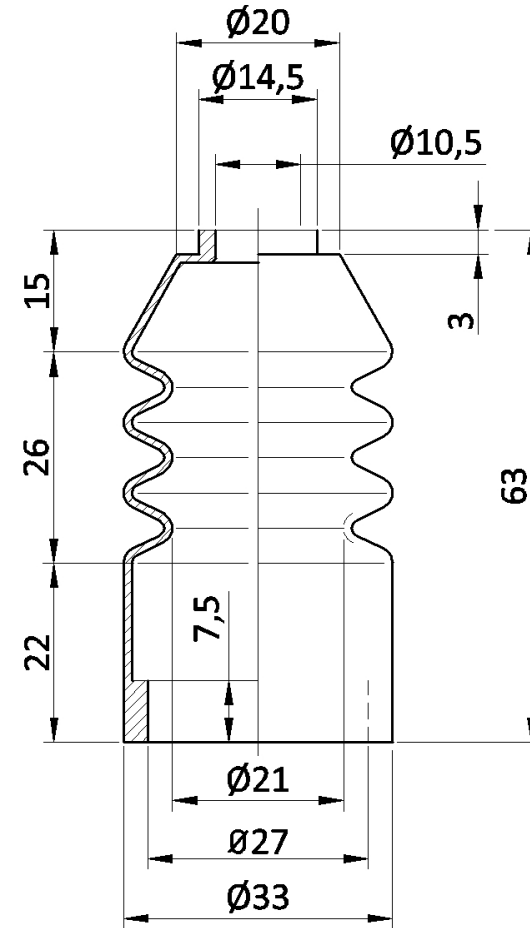
5352



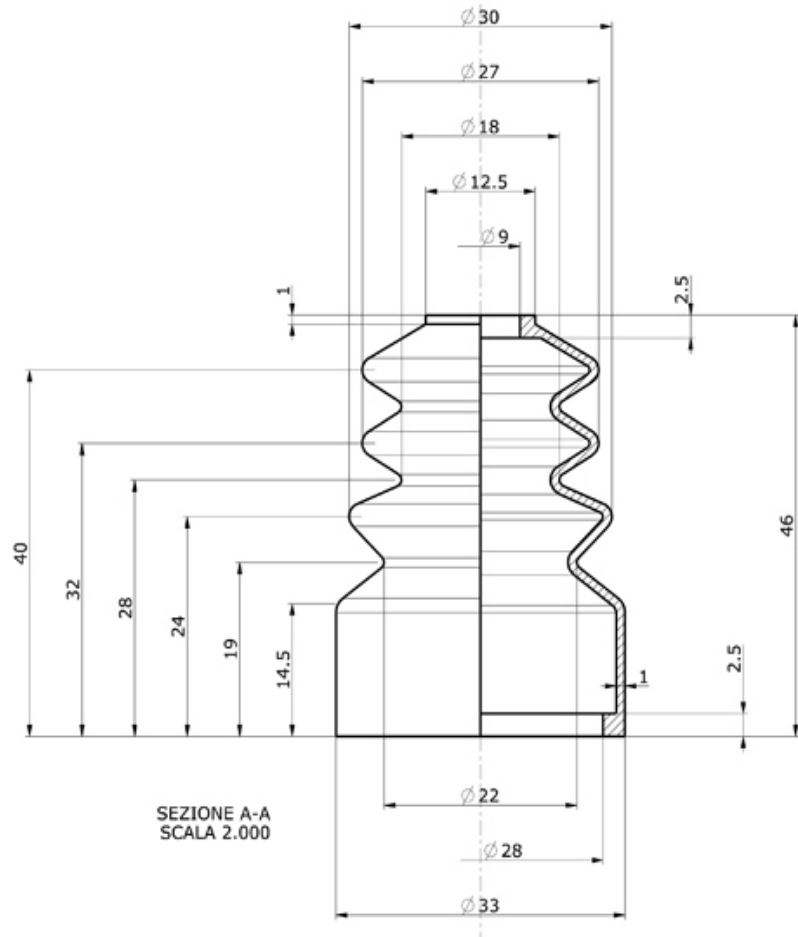
5351



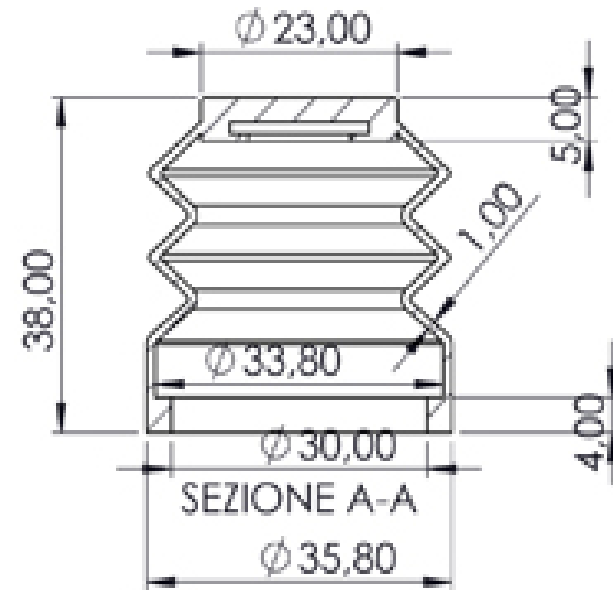
1676



5381

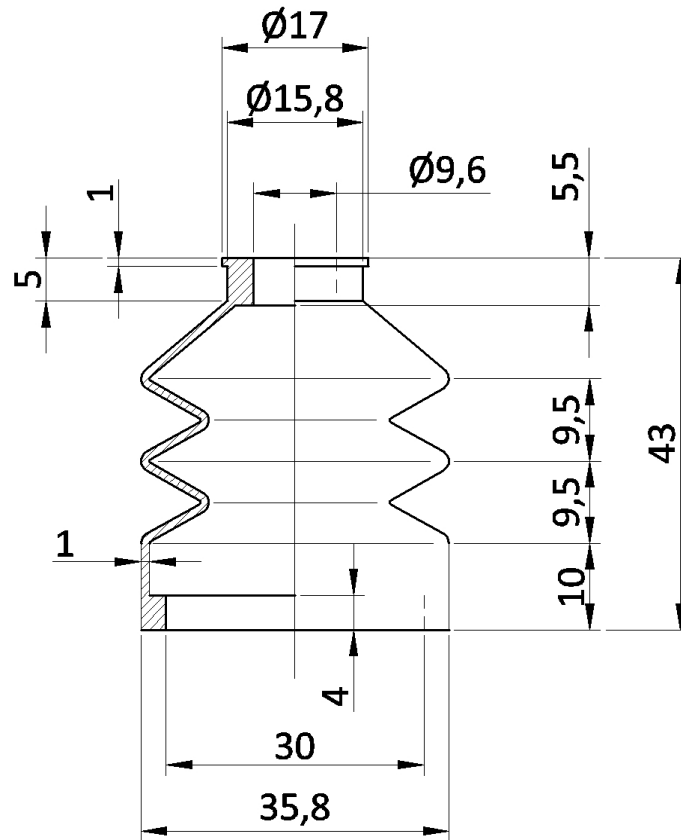


5632

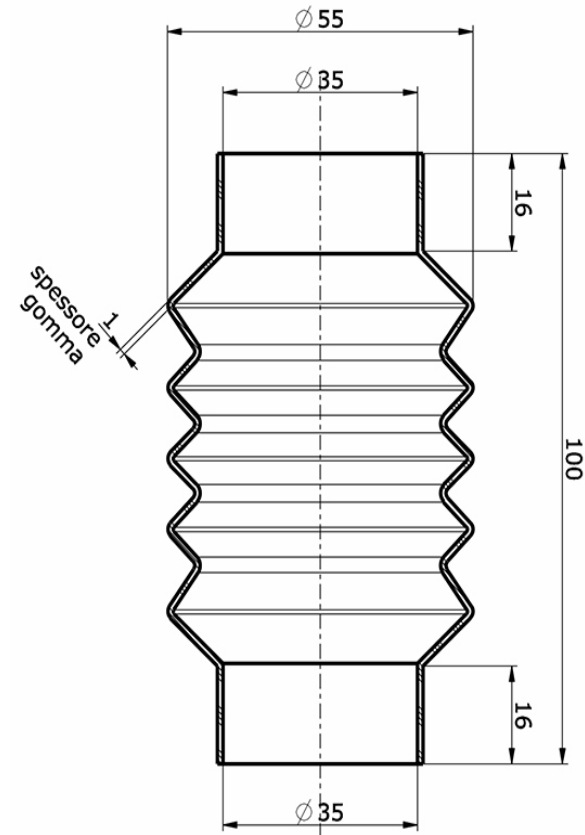




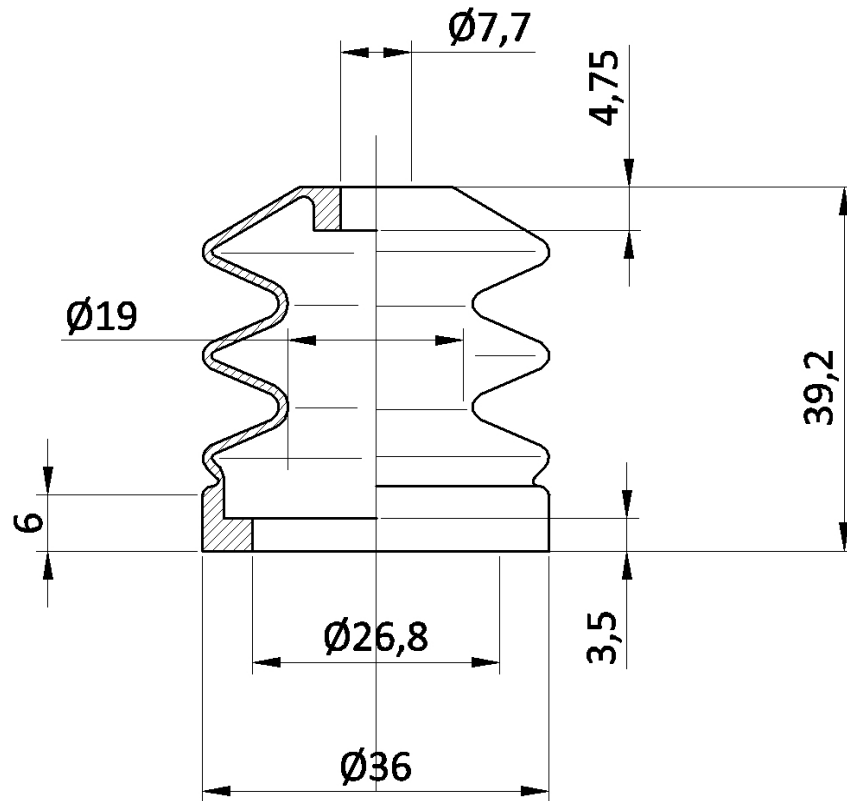
5382



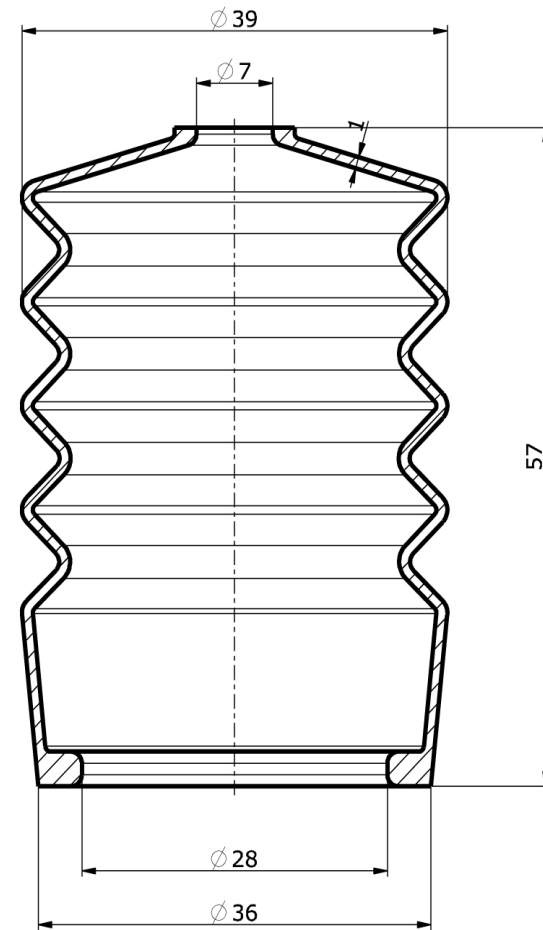
4418



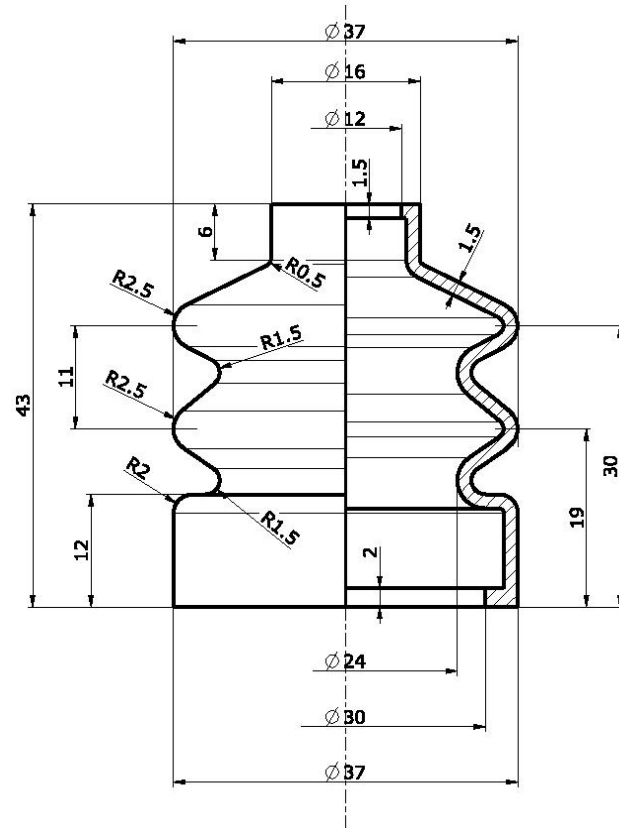
5439



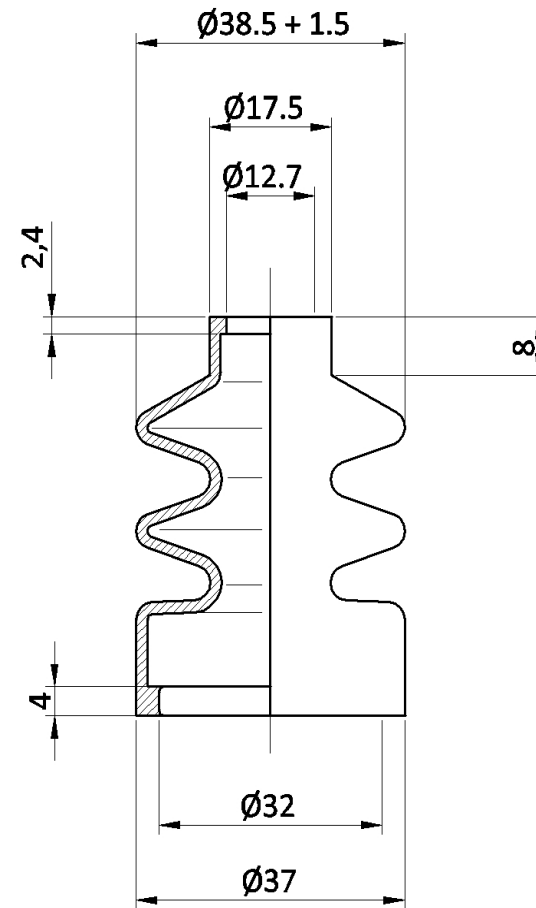
5421



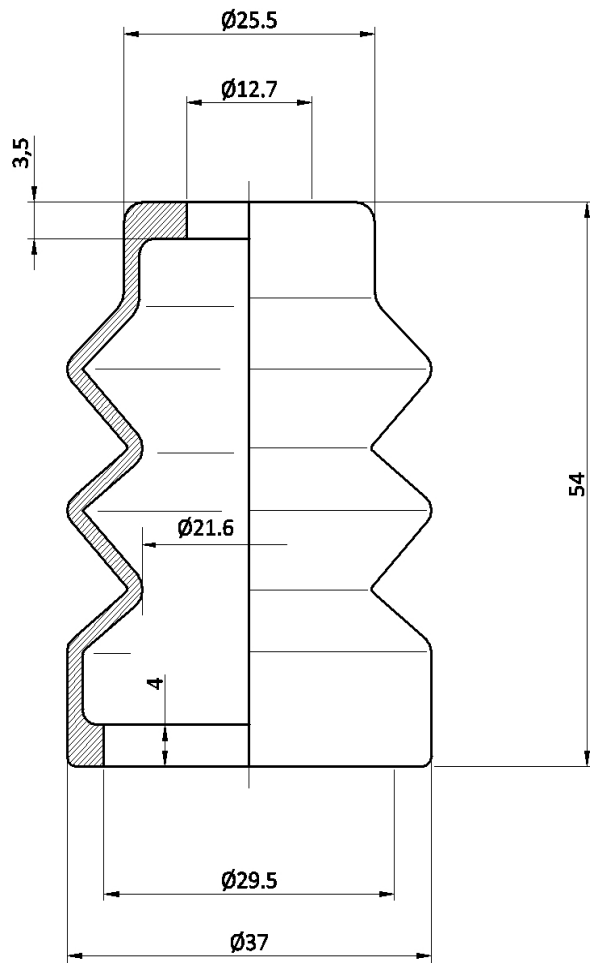
1718



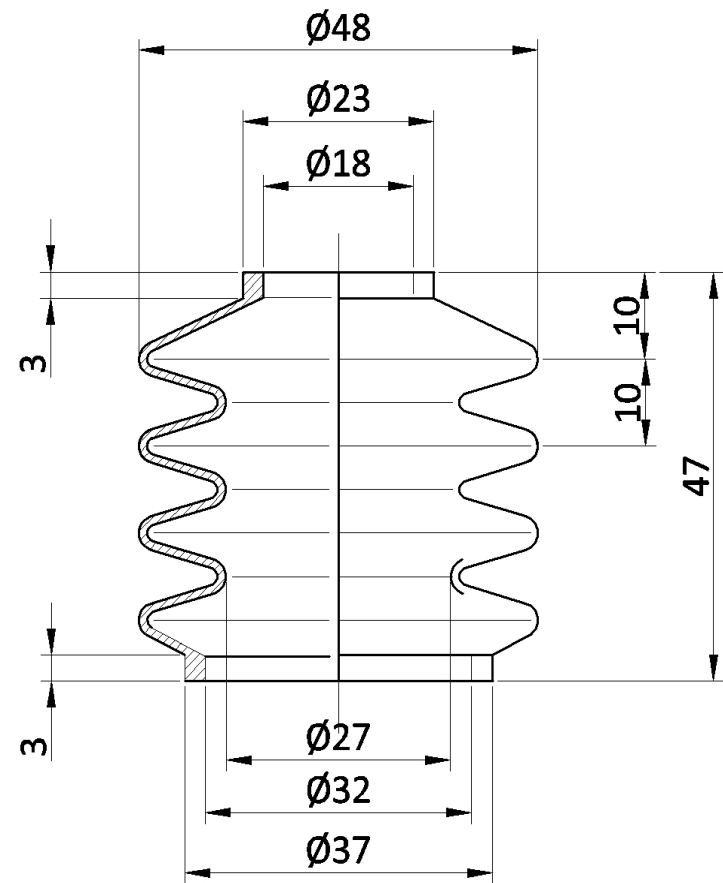
5392



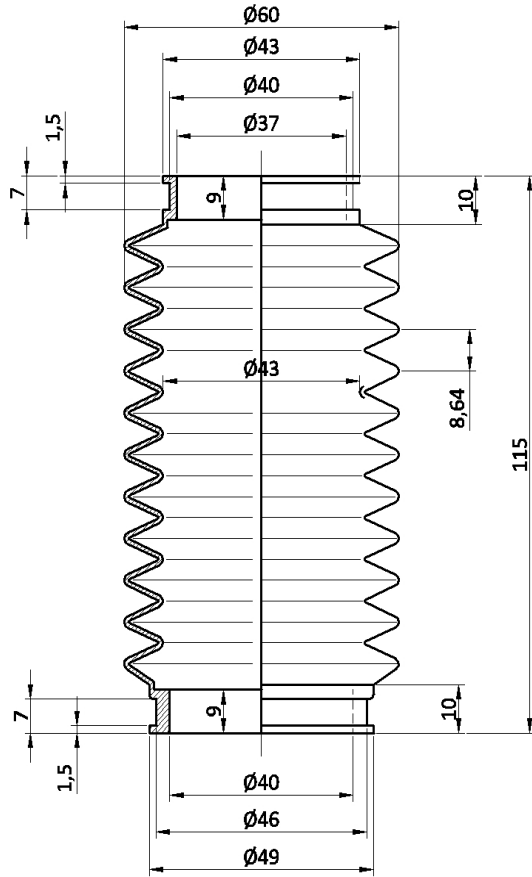
5392/148



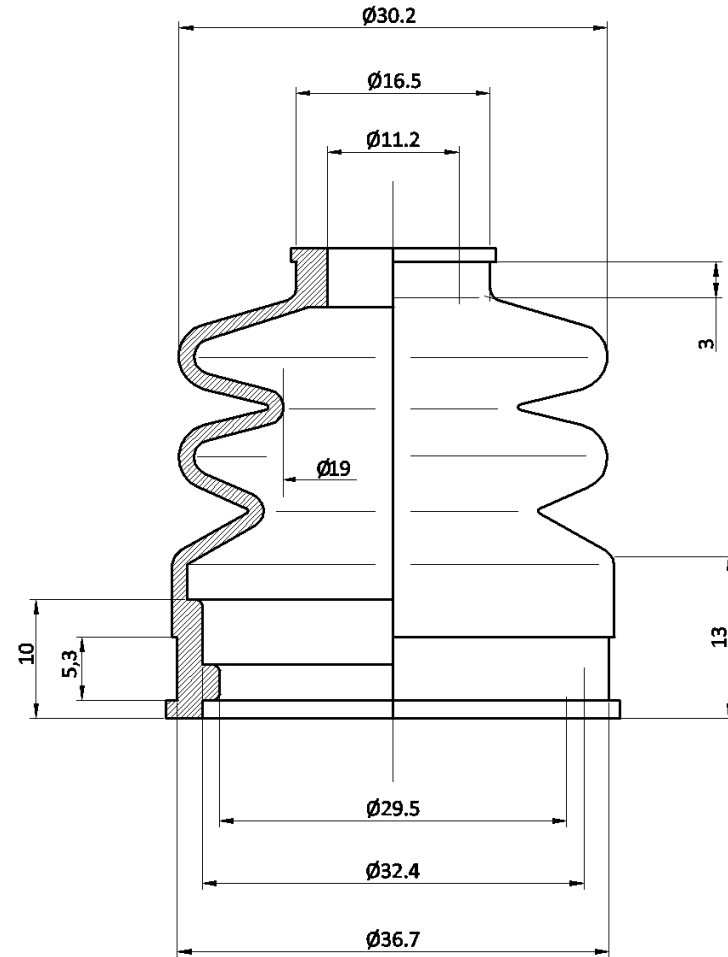
4967



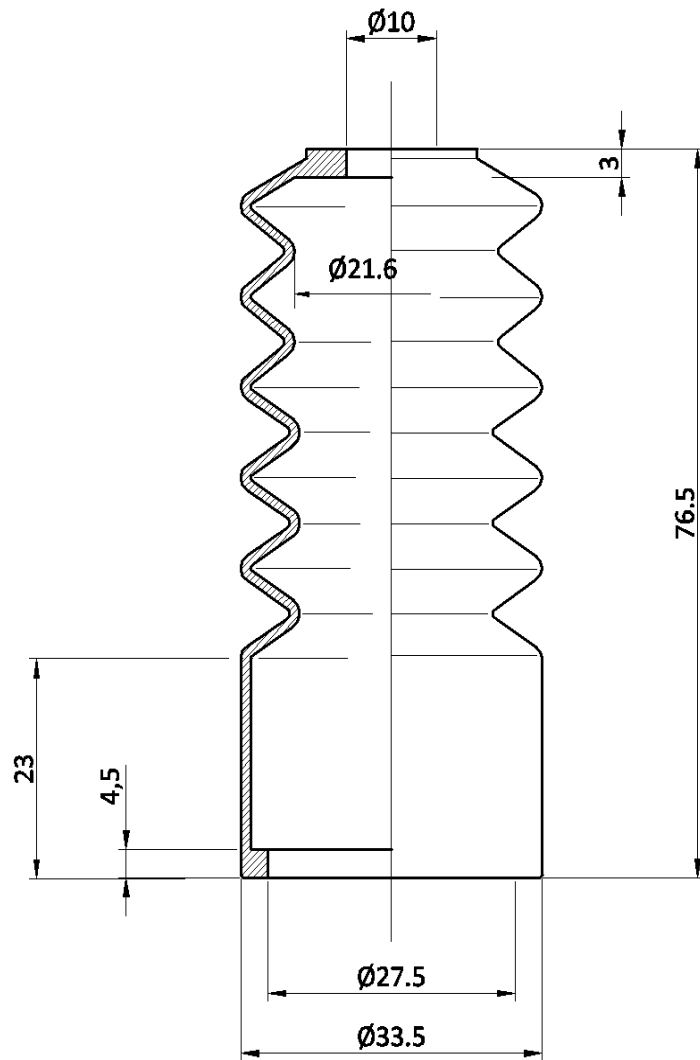
541



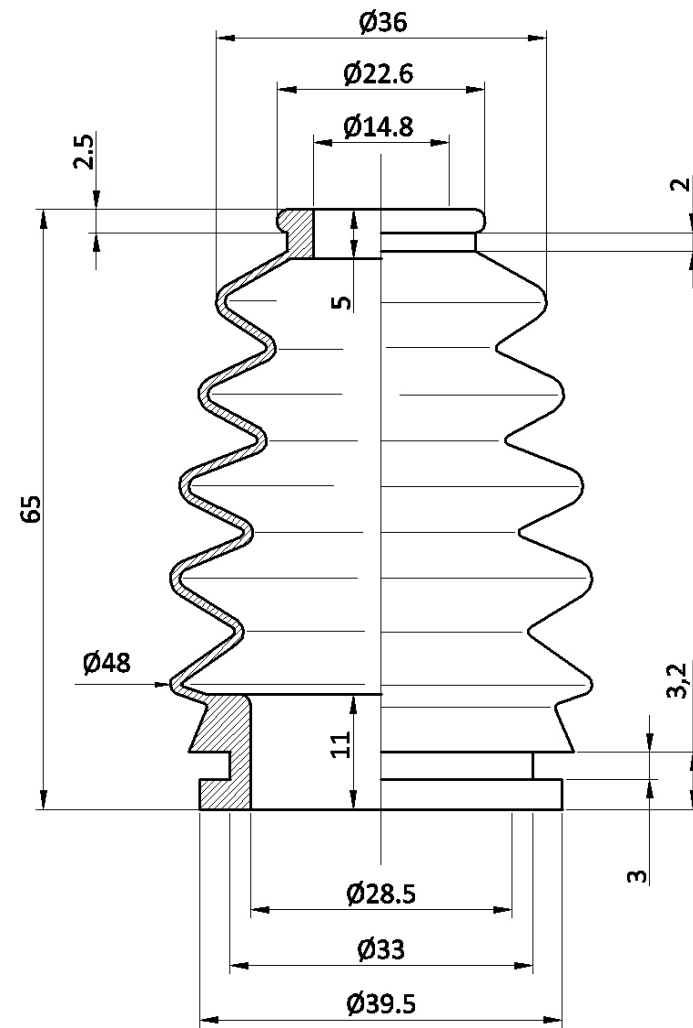
5275



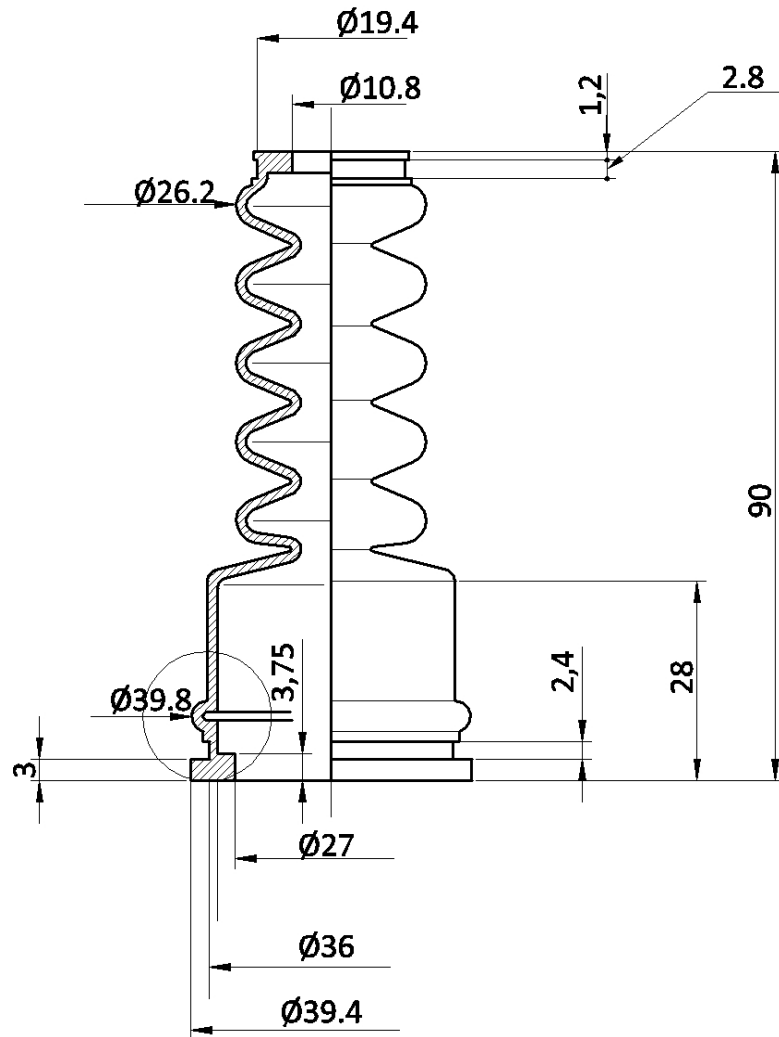
5223



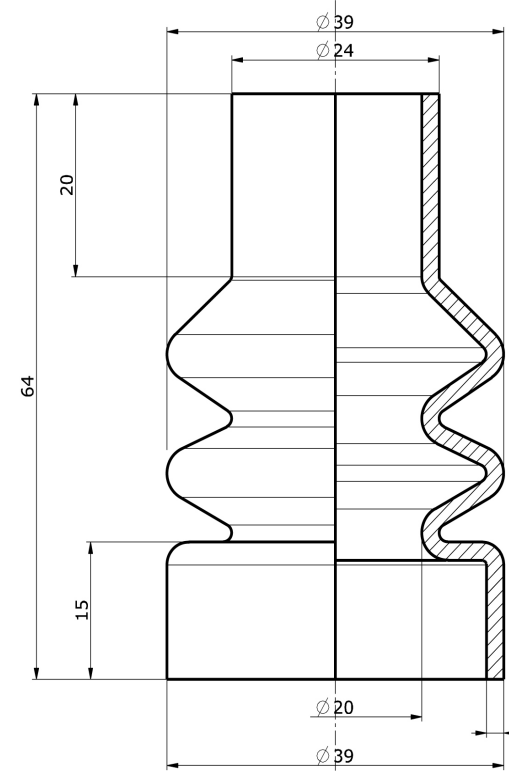
5576



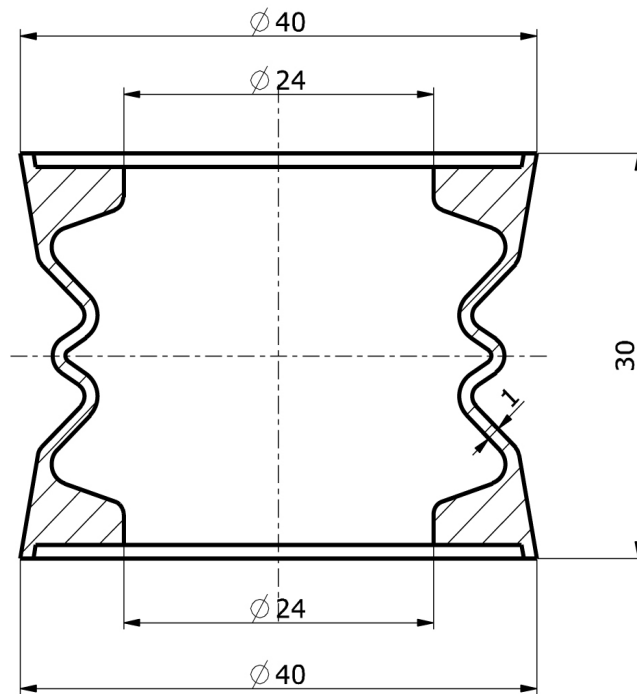
5224



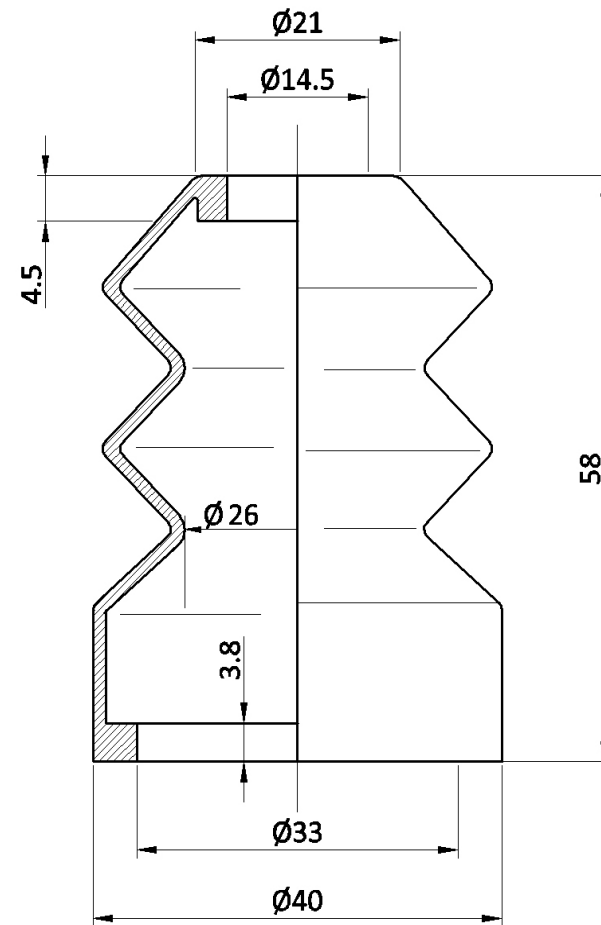
1689



4523

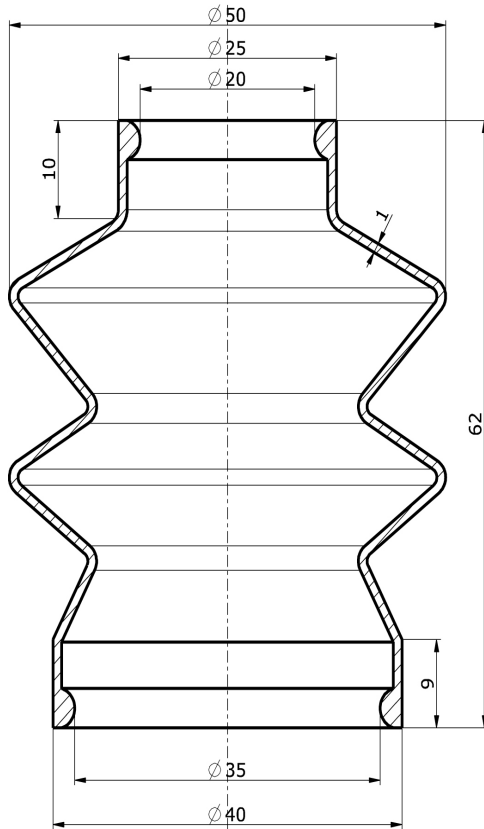


2690

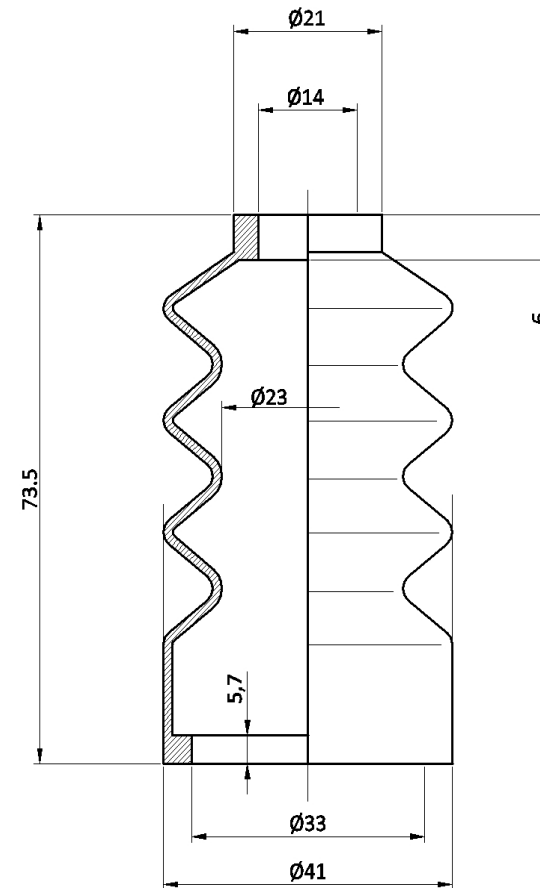




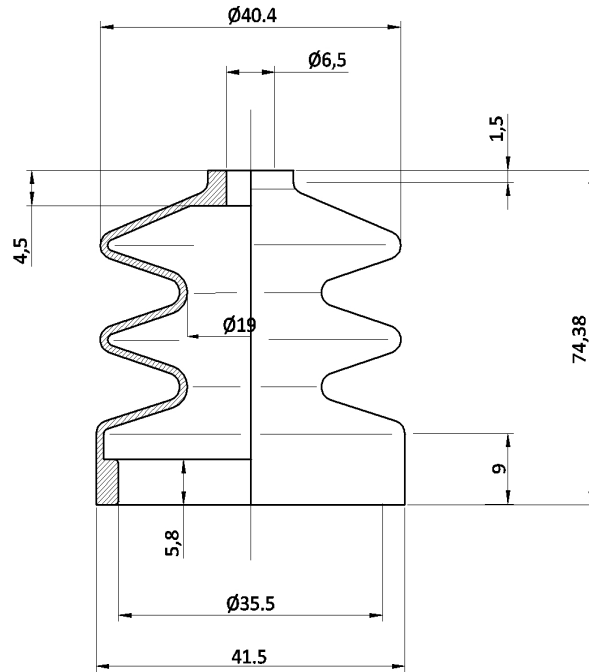
2818



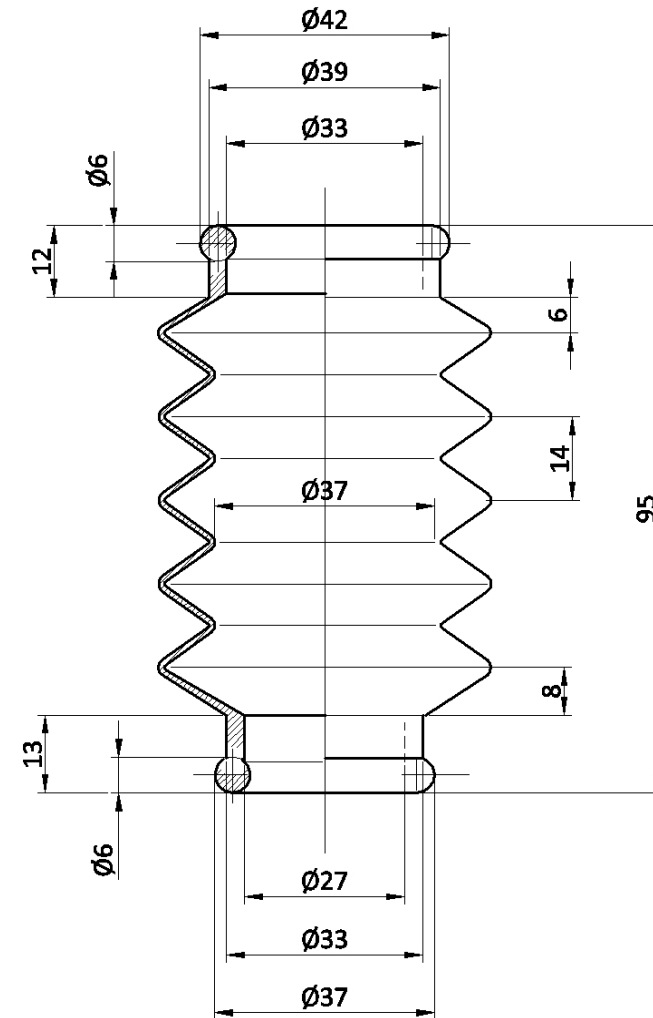
5116



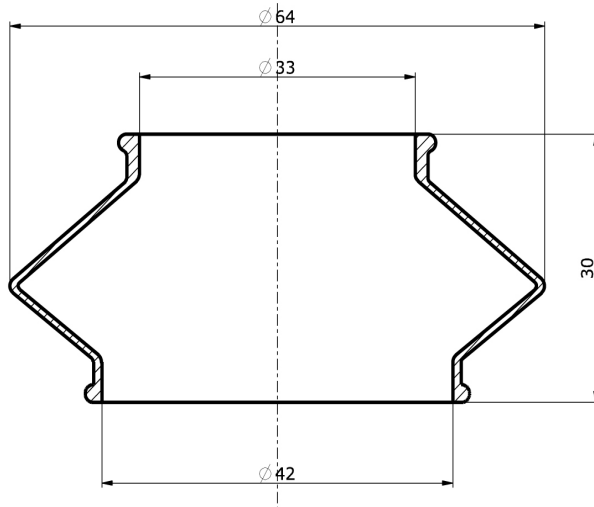
5313



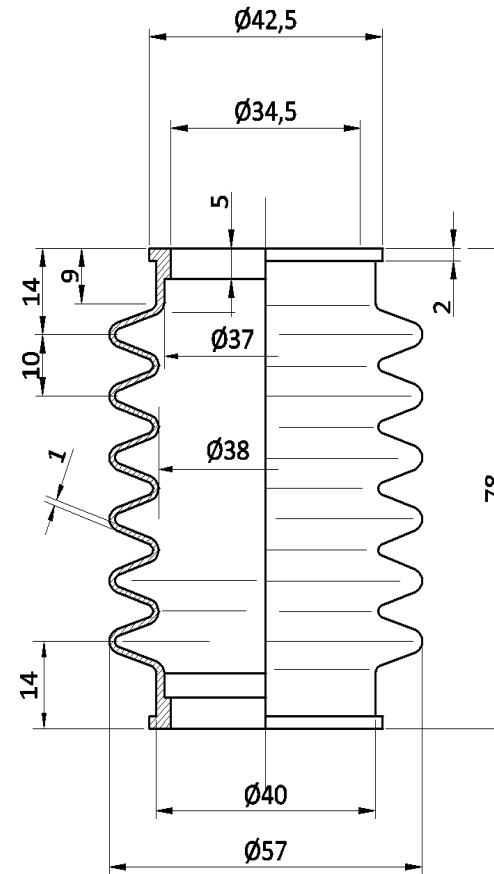
1826



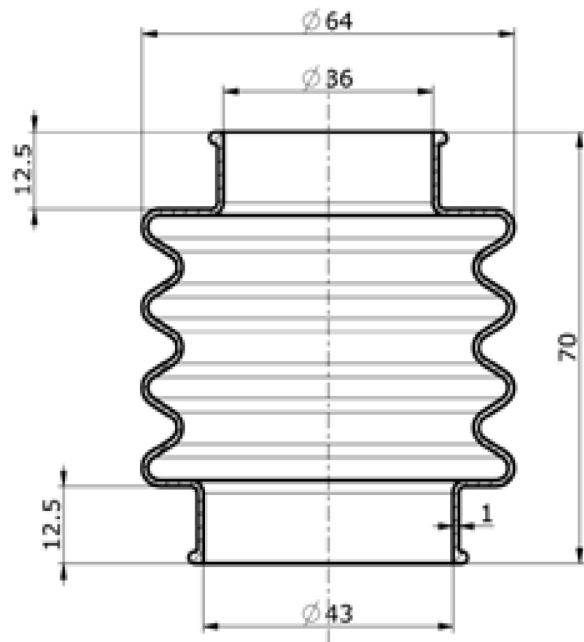
1478



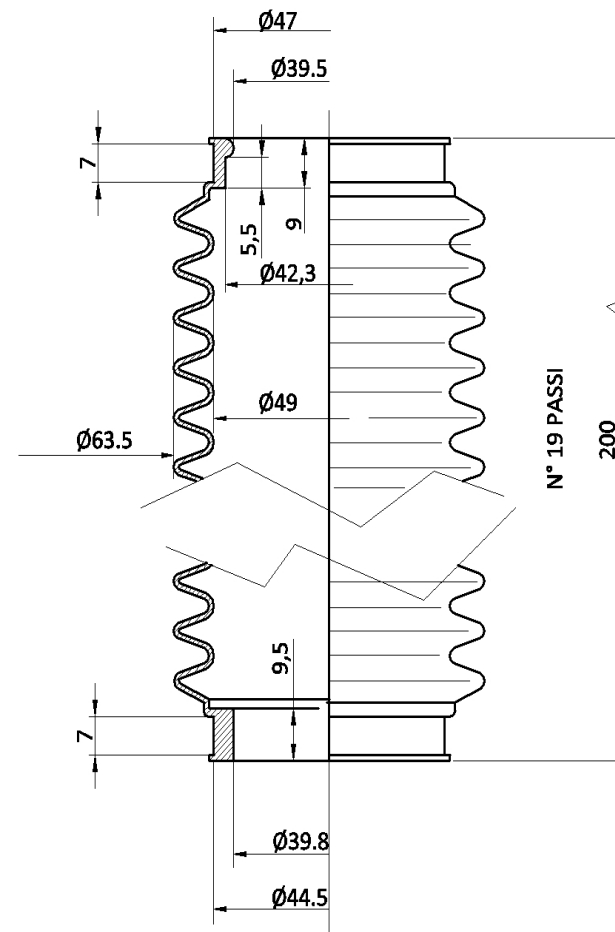
163



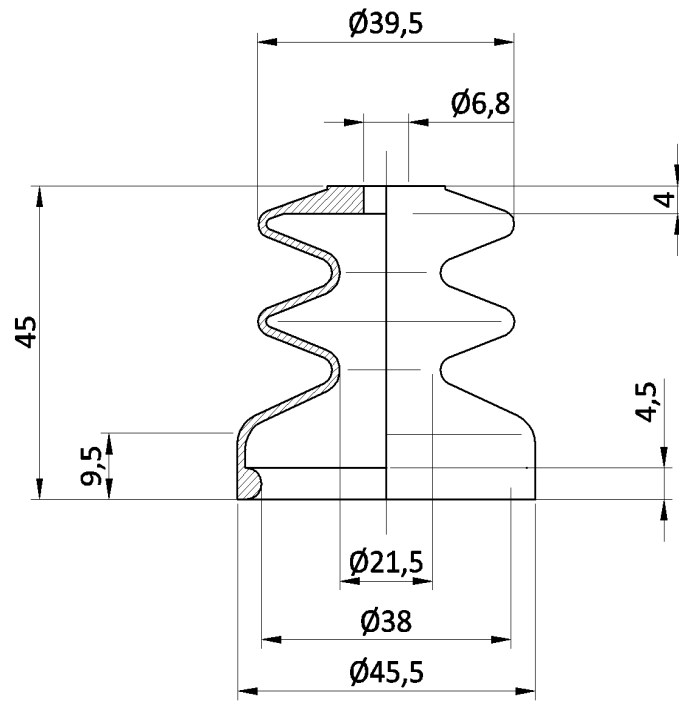
246



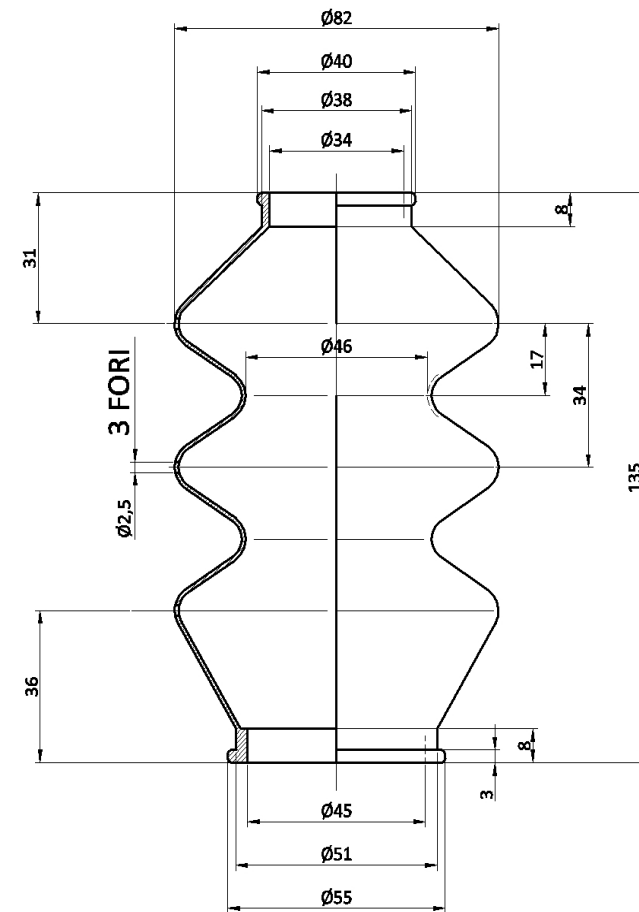
833



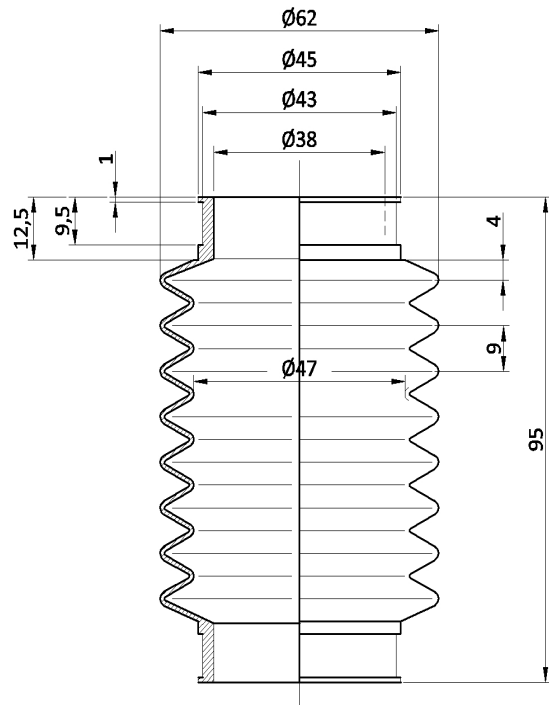
5345



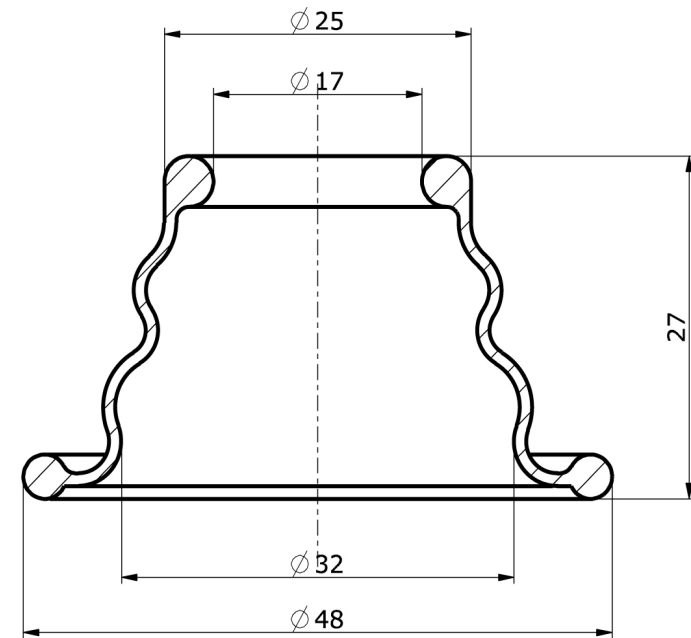
5438



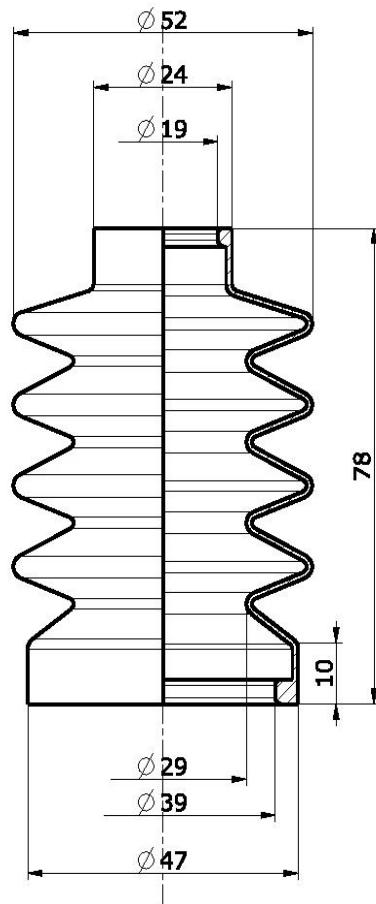
5053



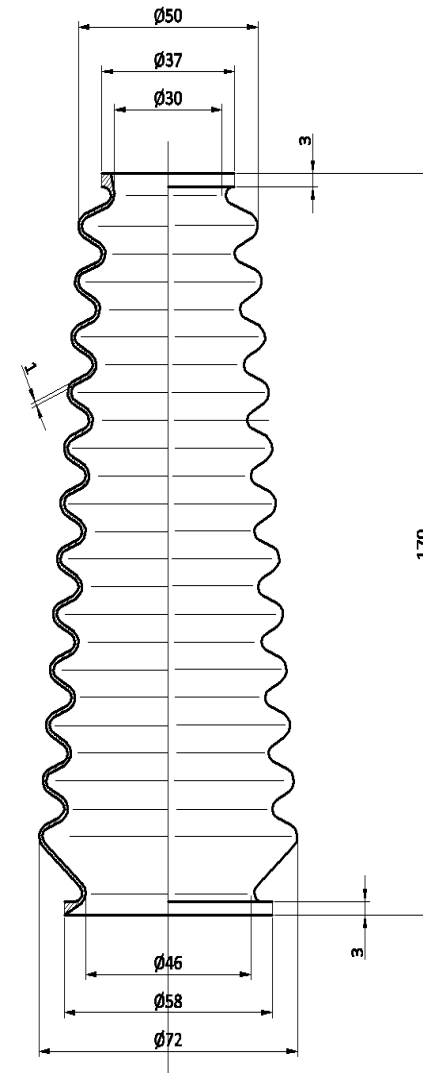
3952



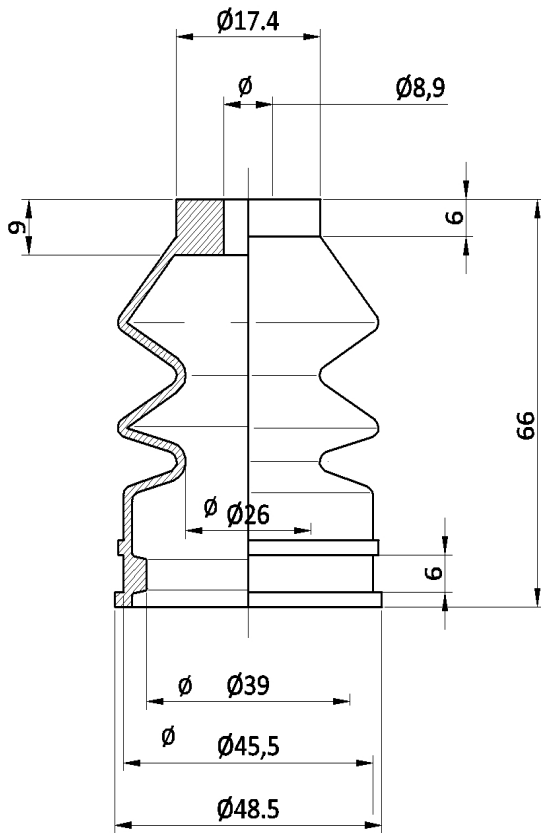
451



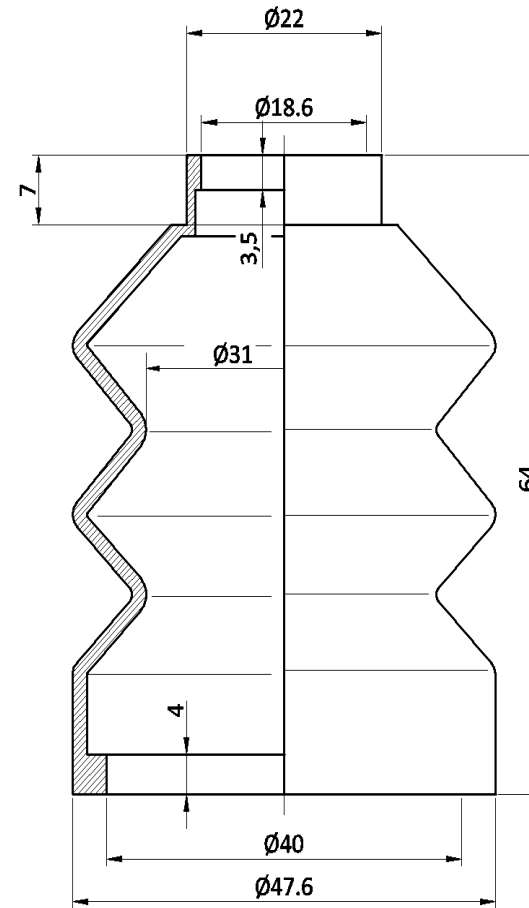
4123



5447

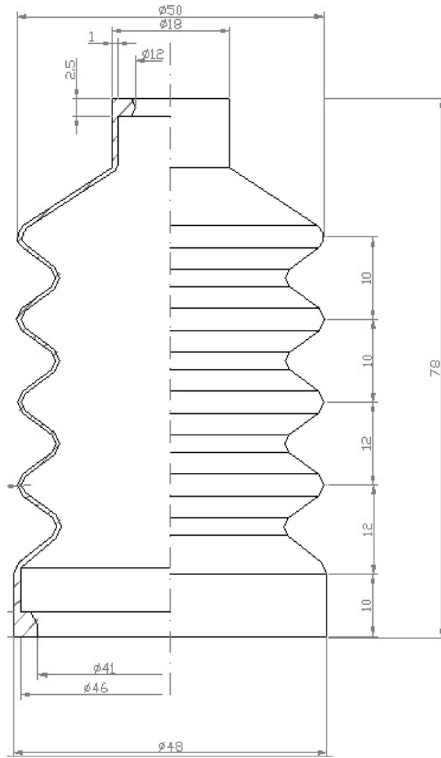


5387

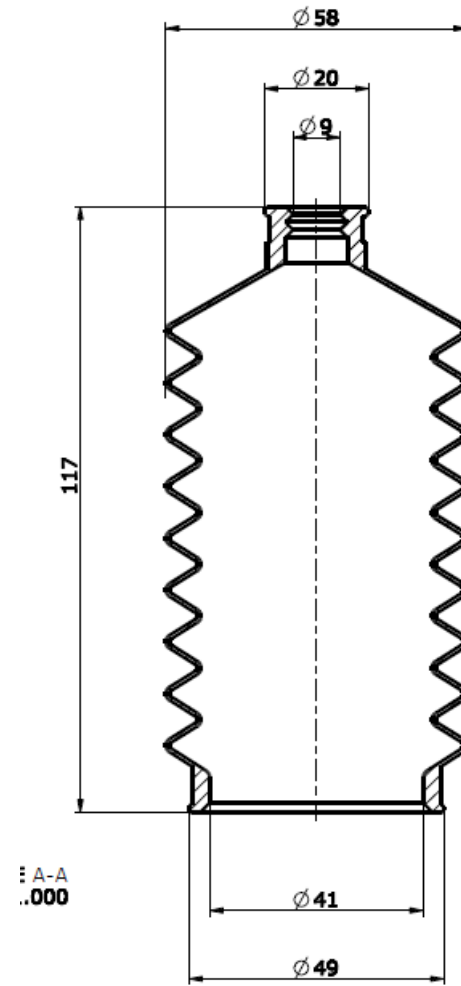




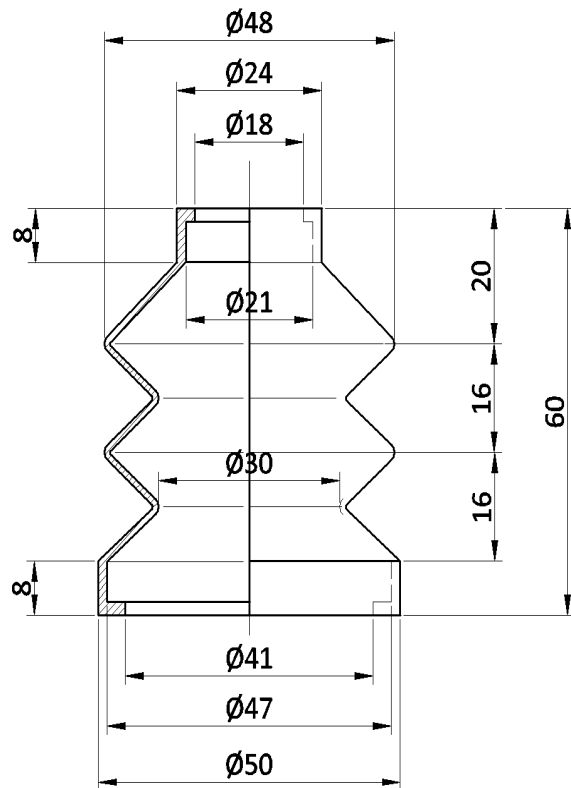
4678



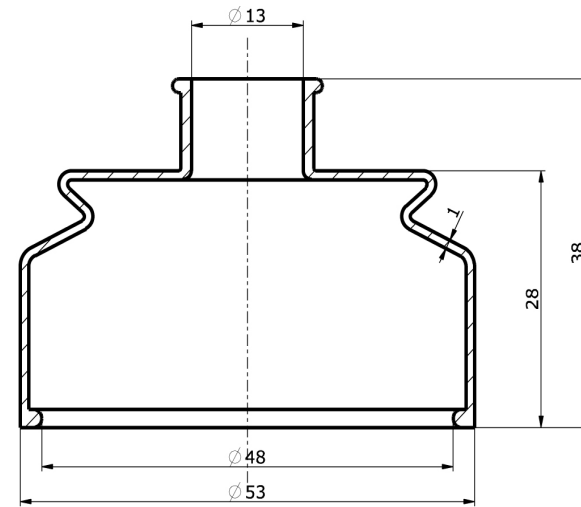
7021



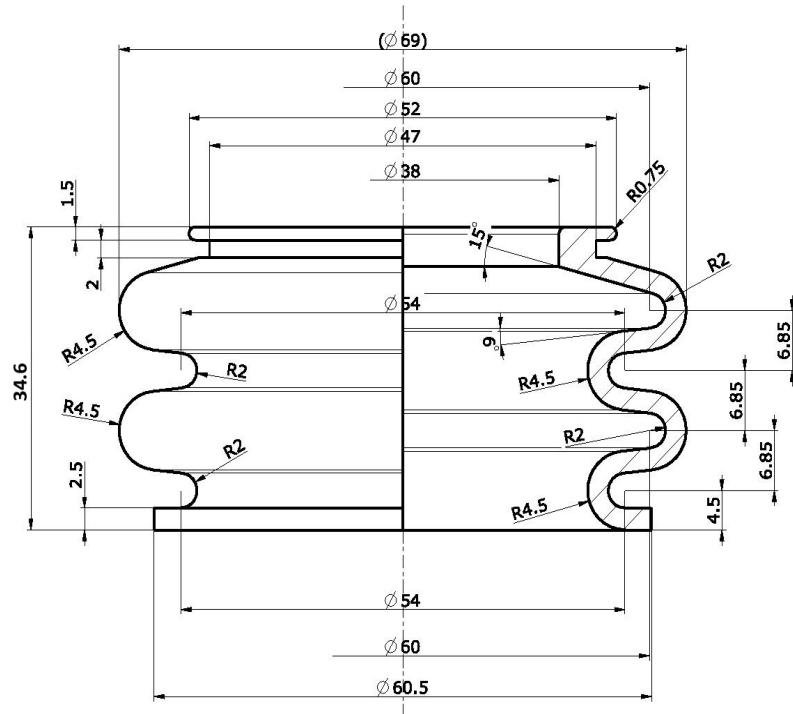
1825



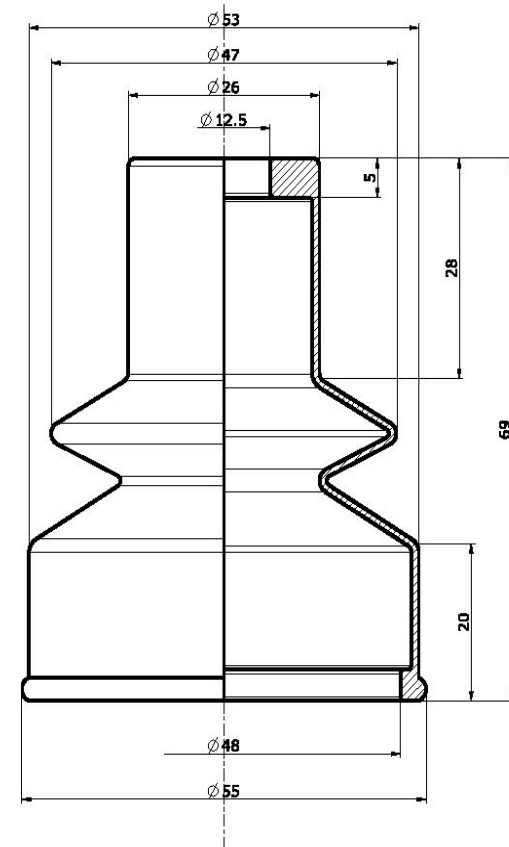
5347



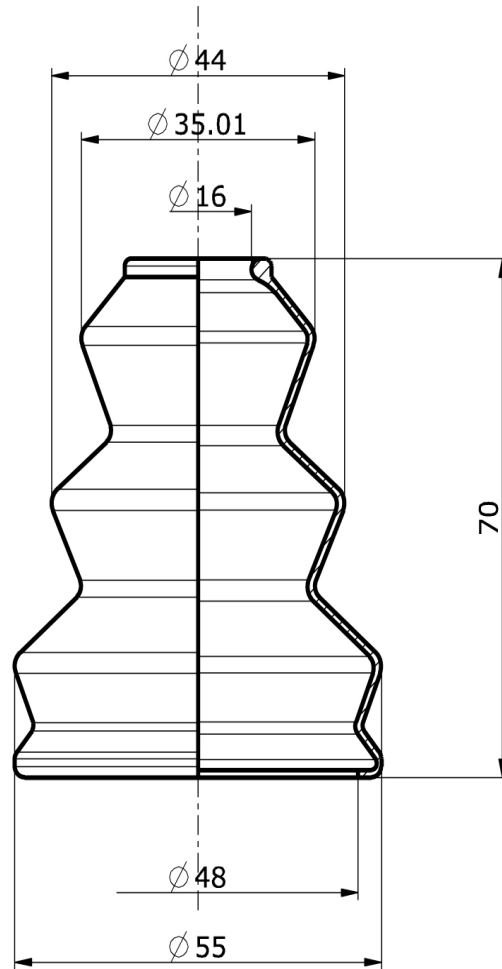
5594



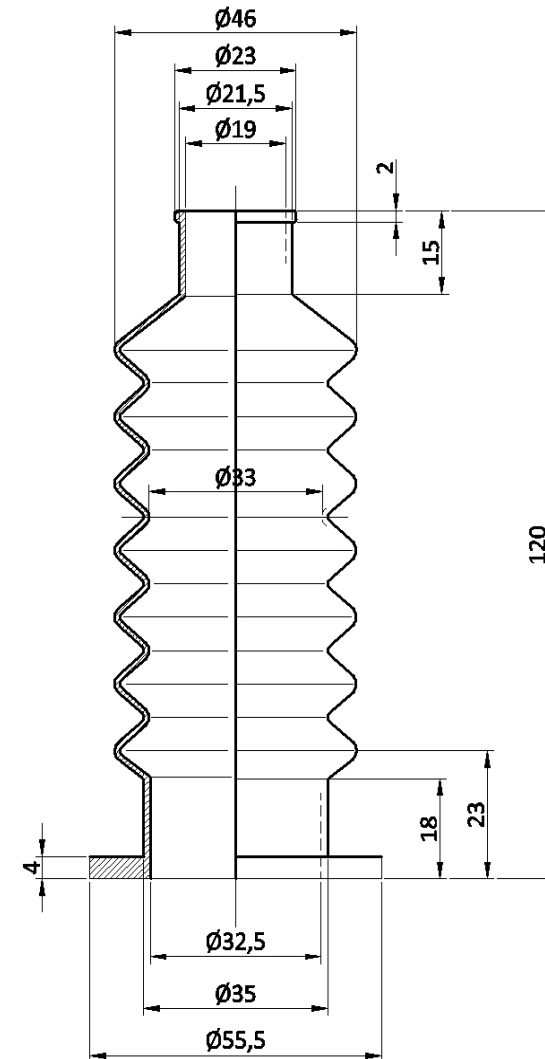
453



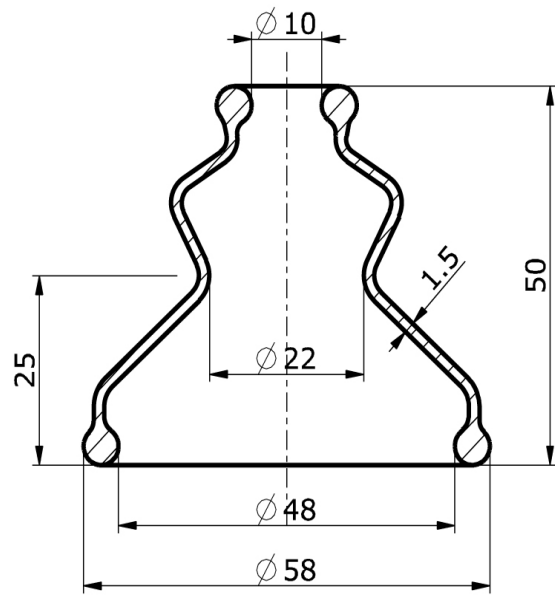
1479



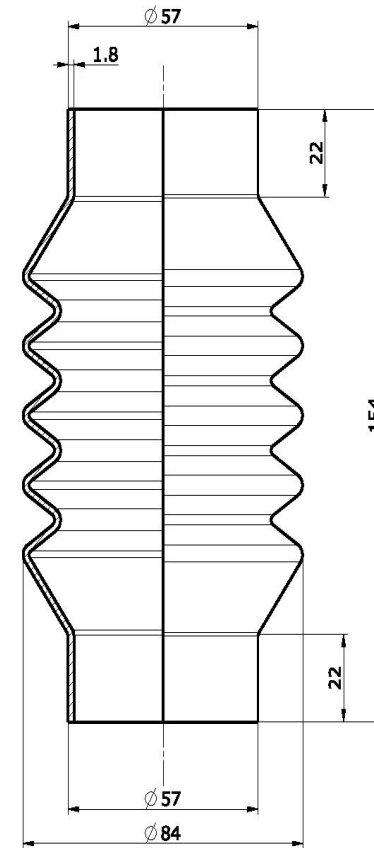
4634



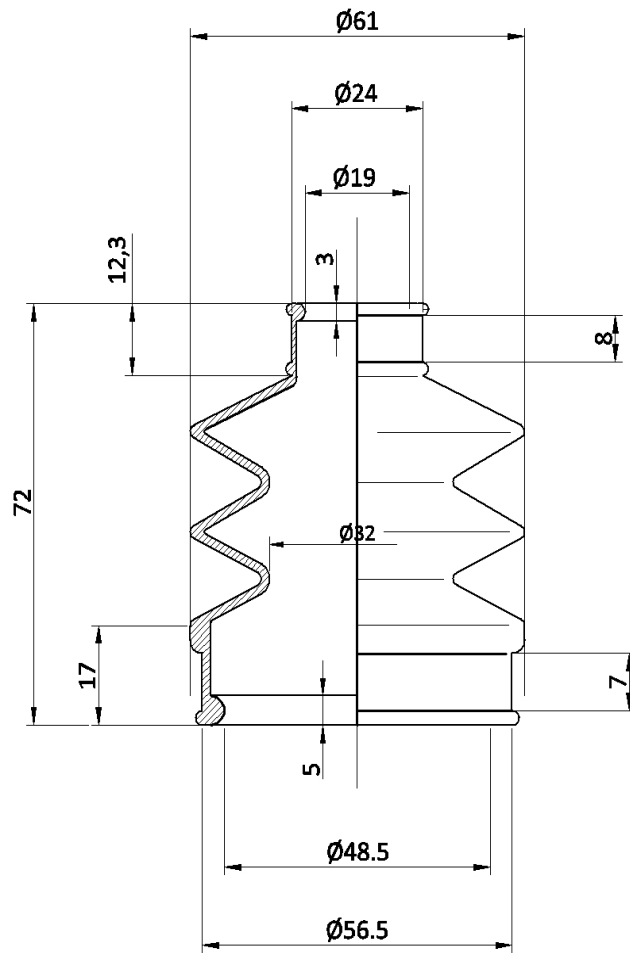
3951



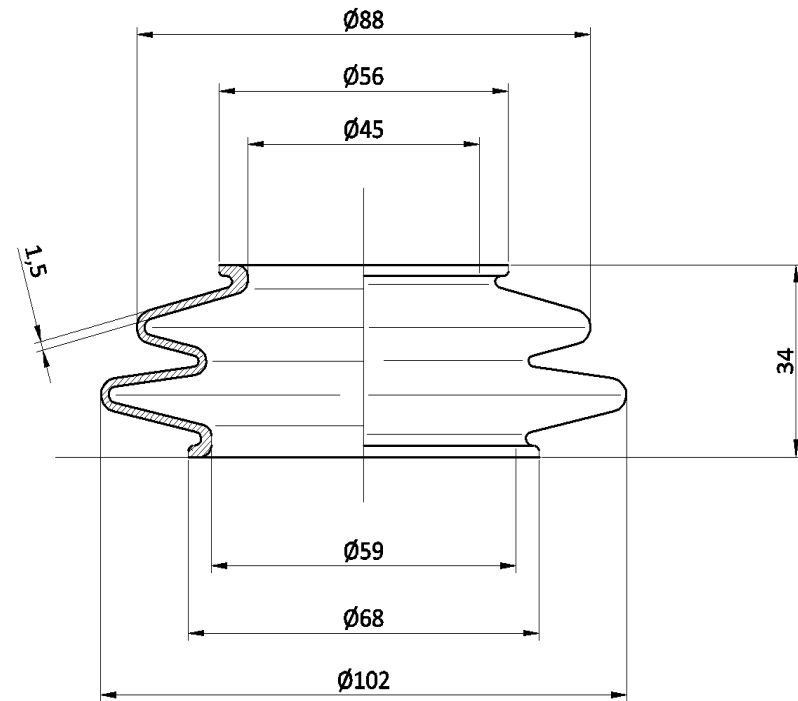
4481



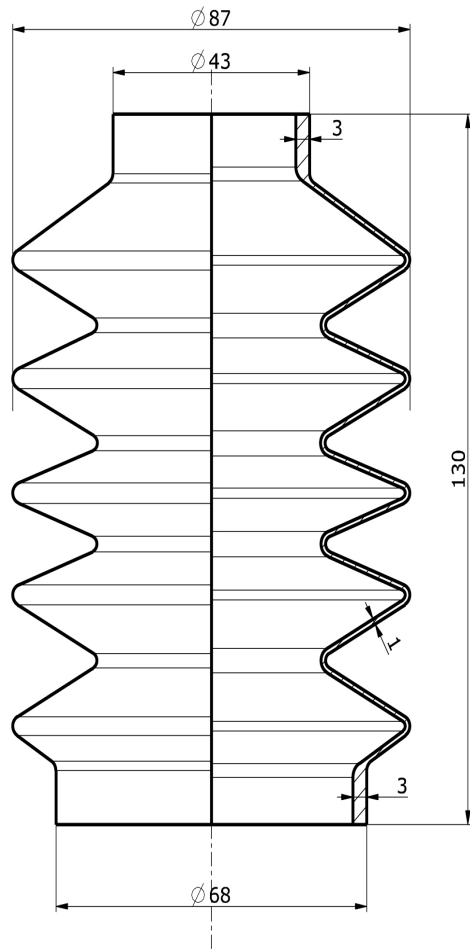
452



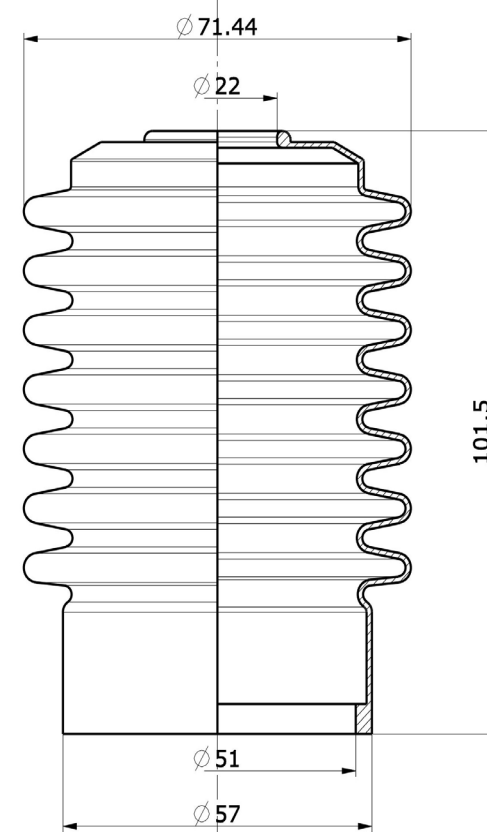
1461



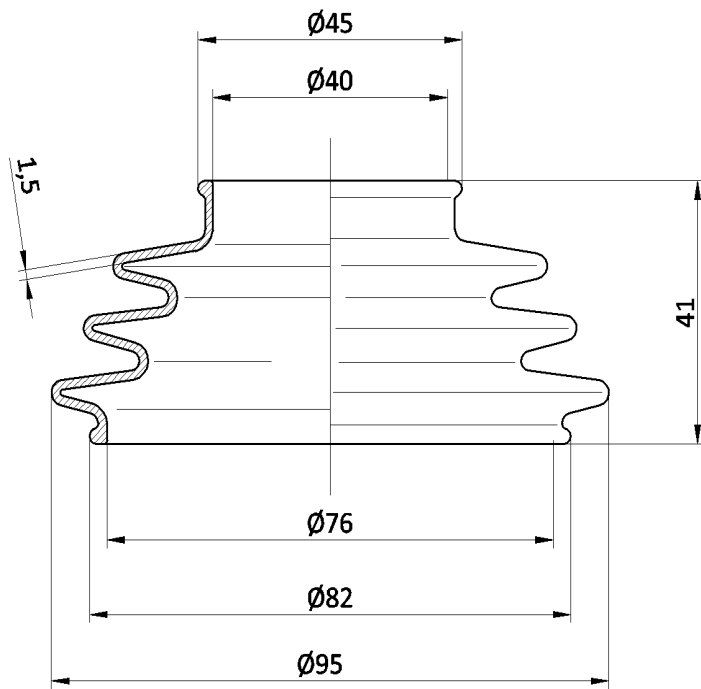
4059



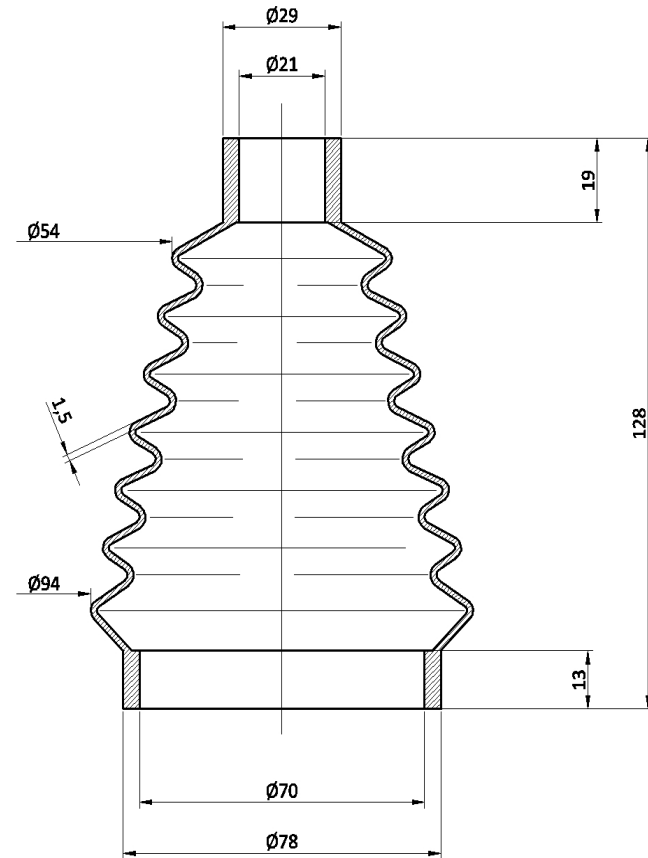
1175



1460

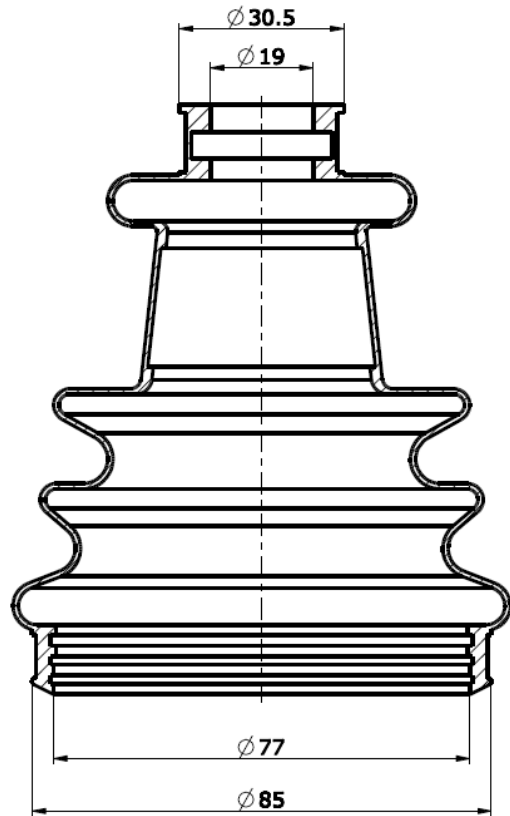


2578

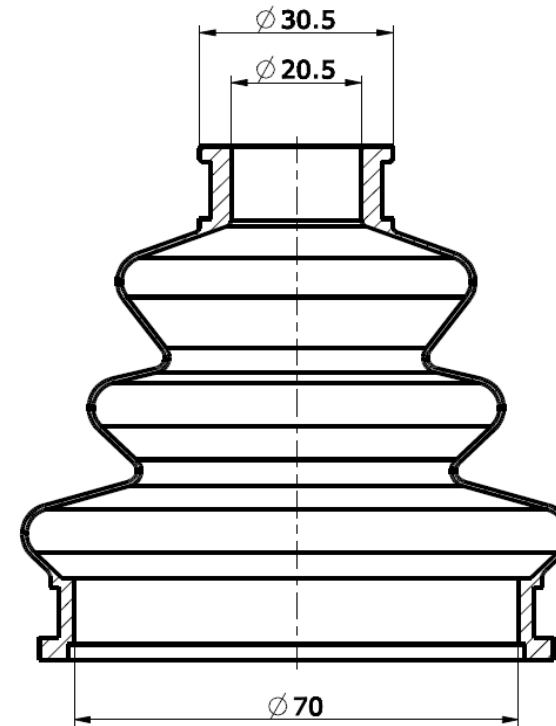




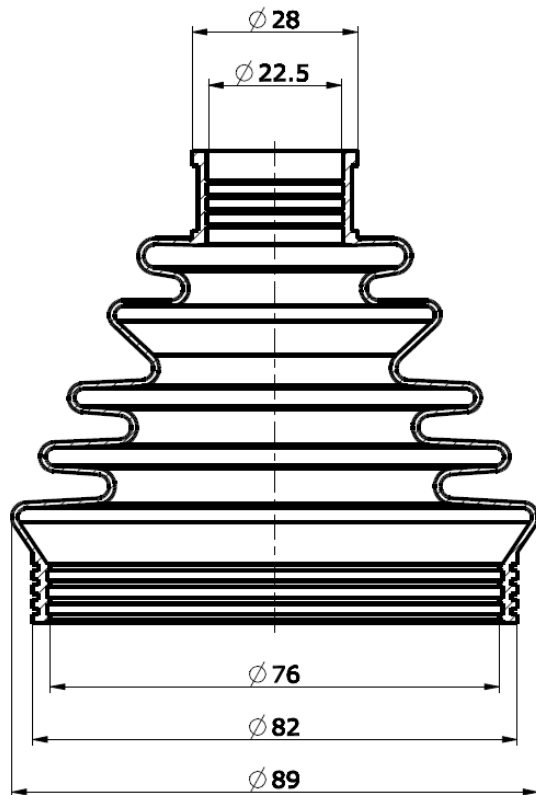
9479



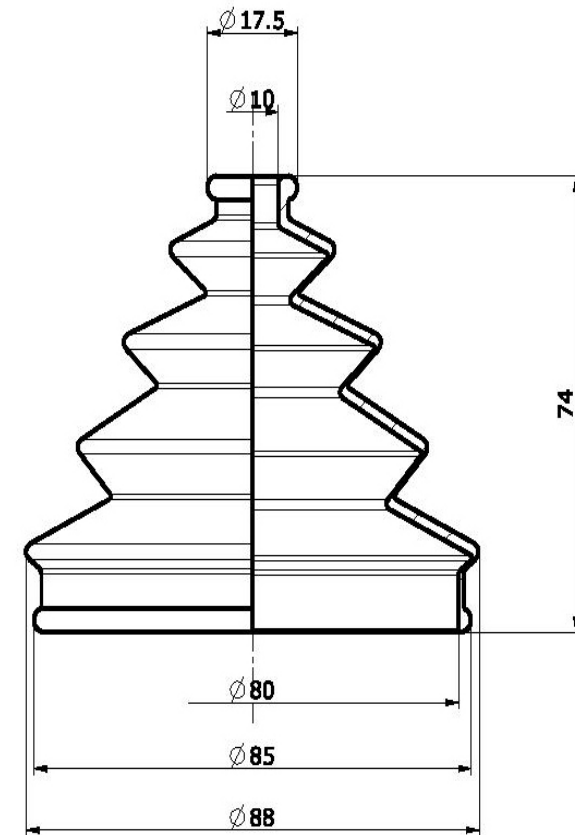
7401



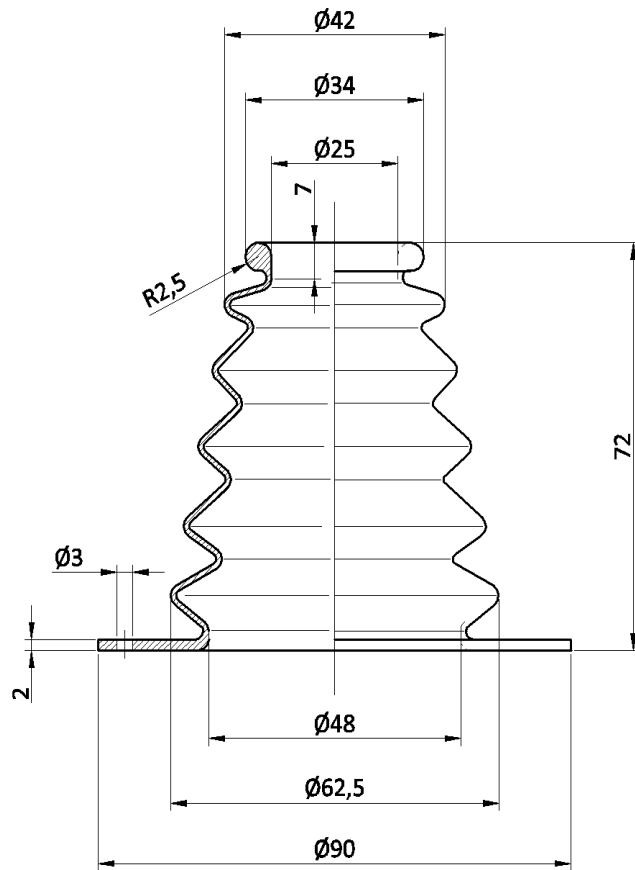
26864



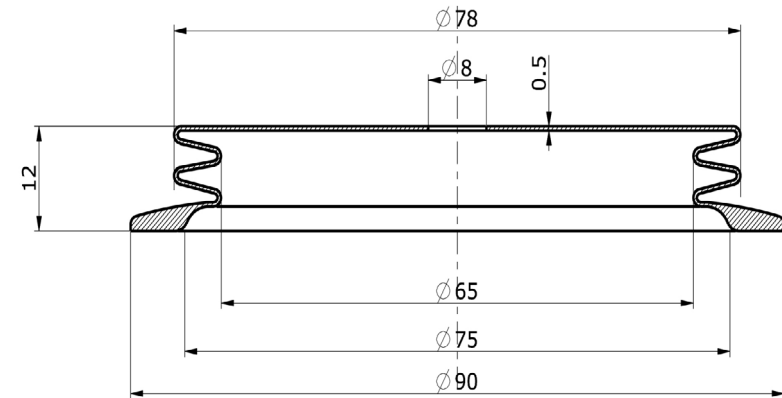
1916



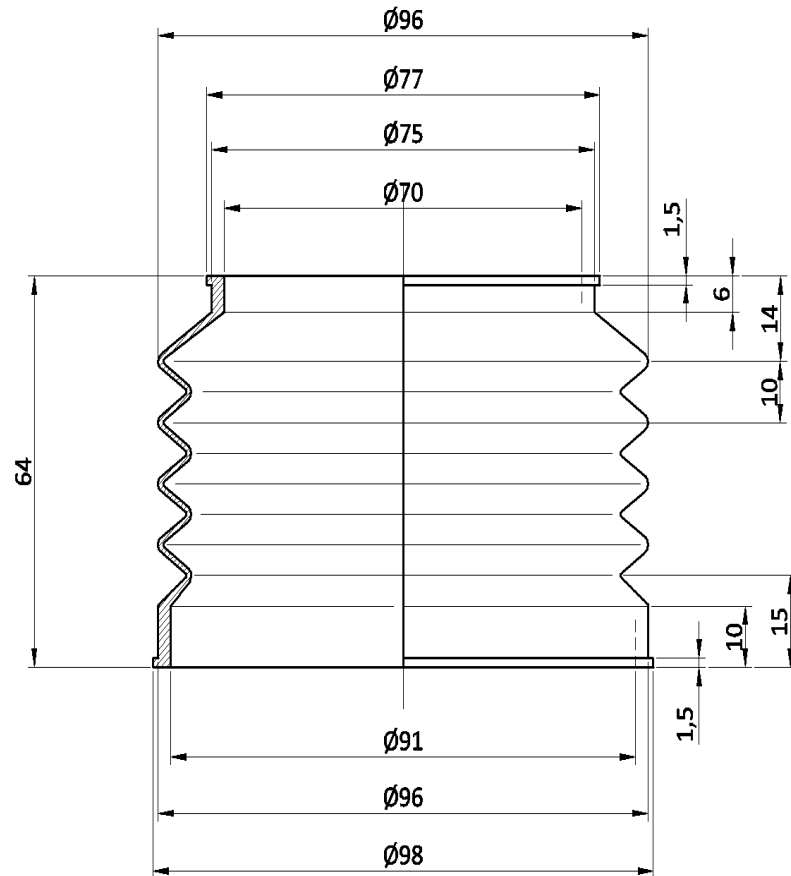
1579



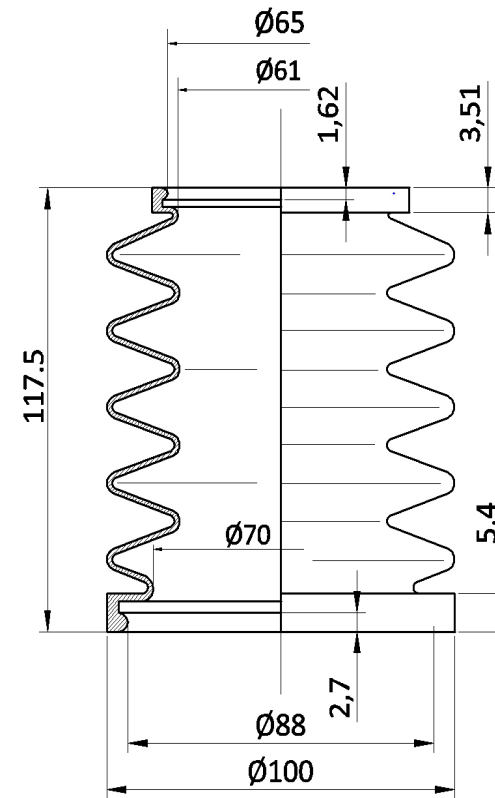
2201



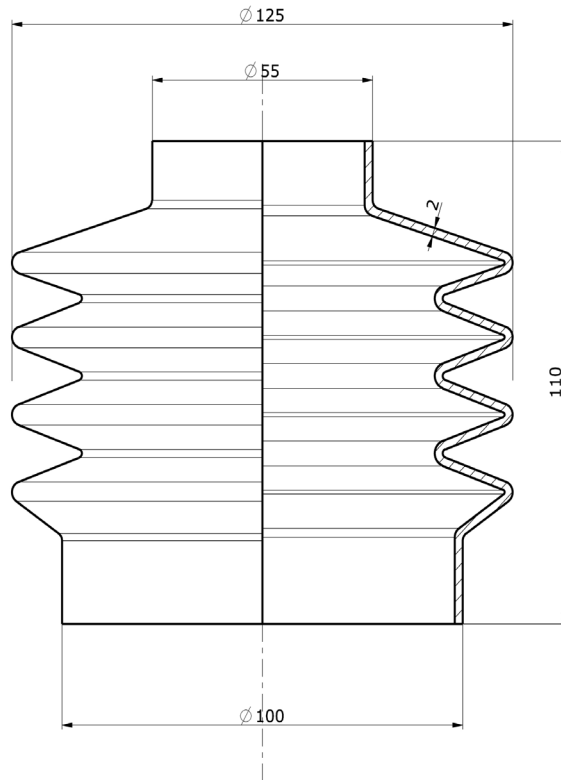
4524



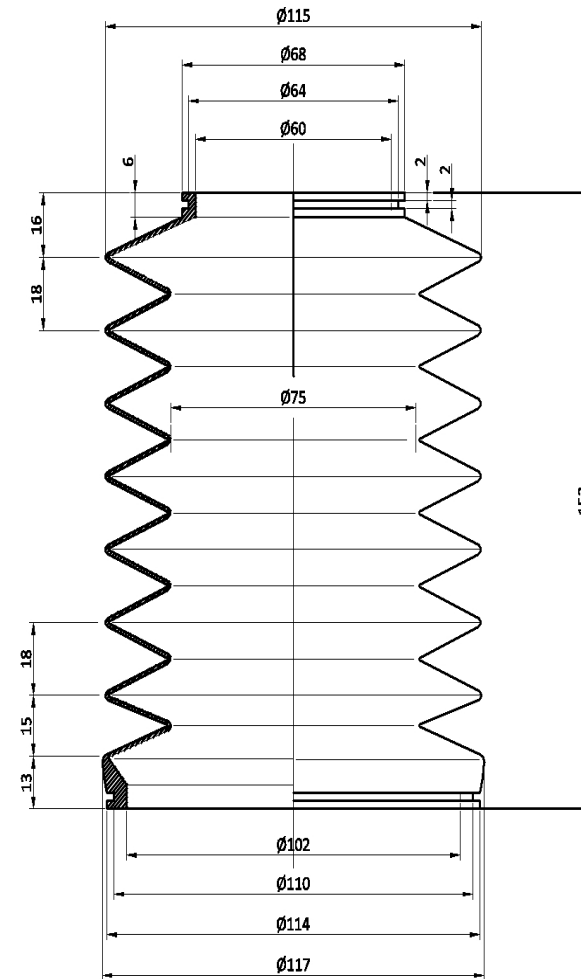
4354



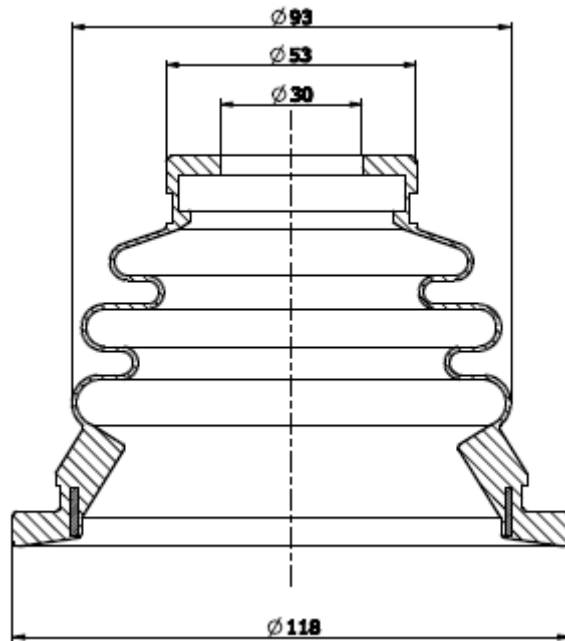
4215



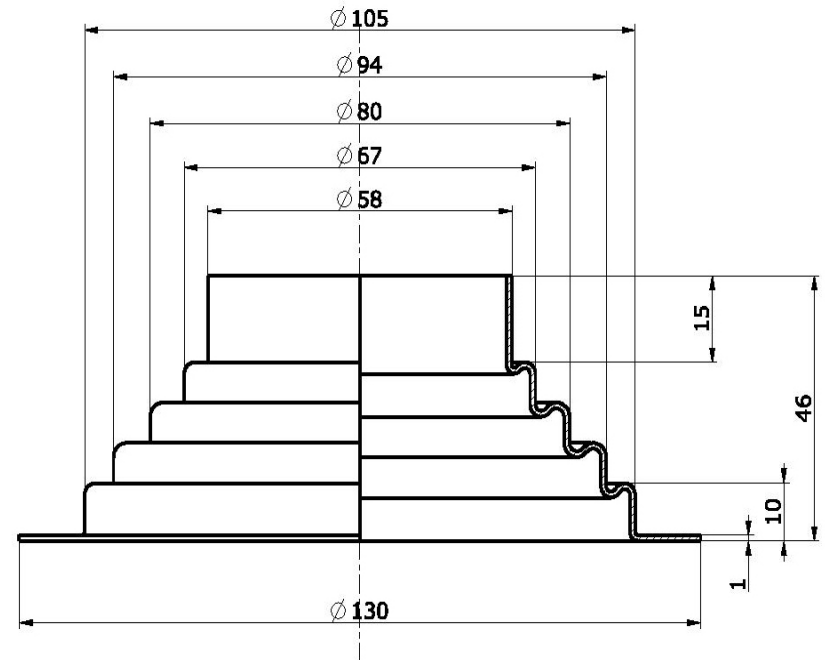
2459



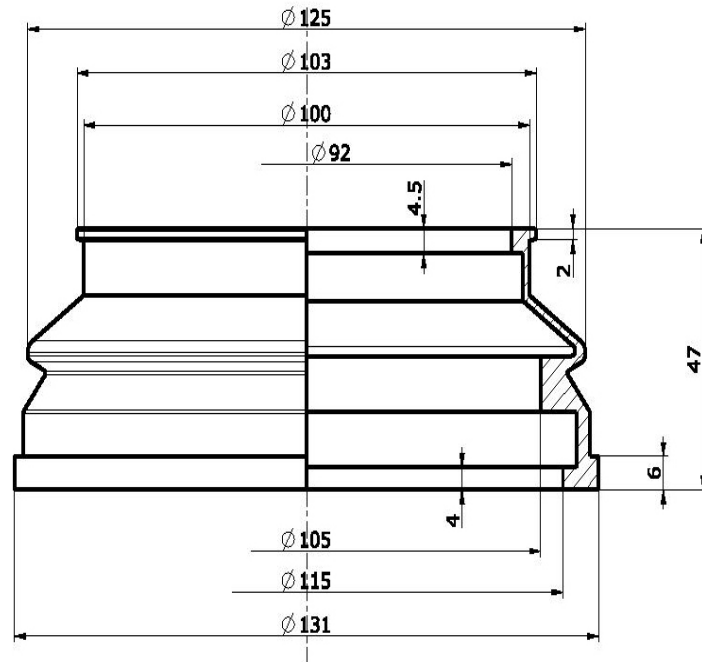
29469



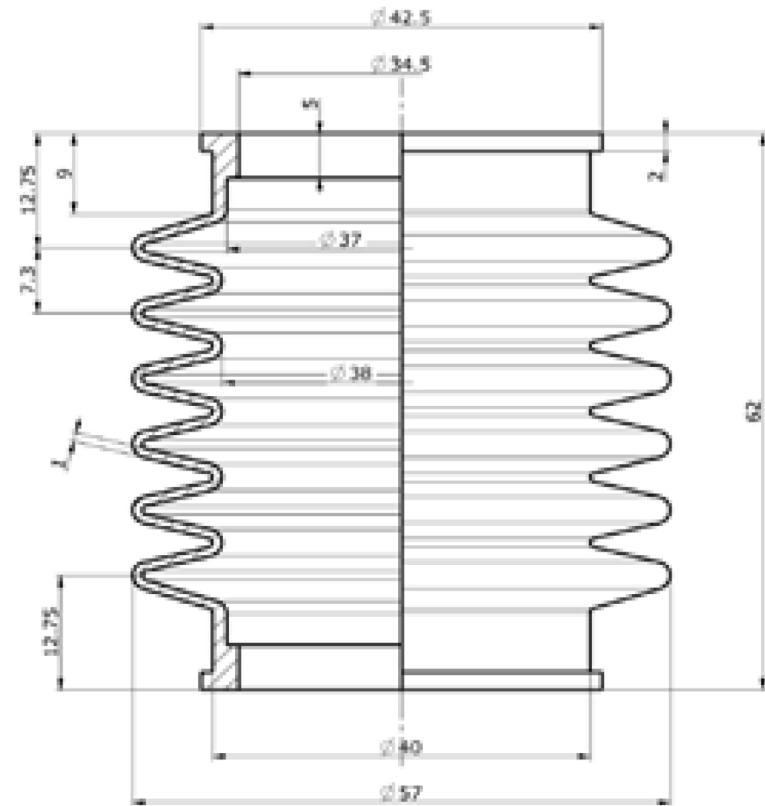
7392



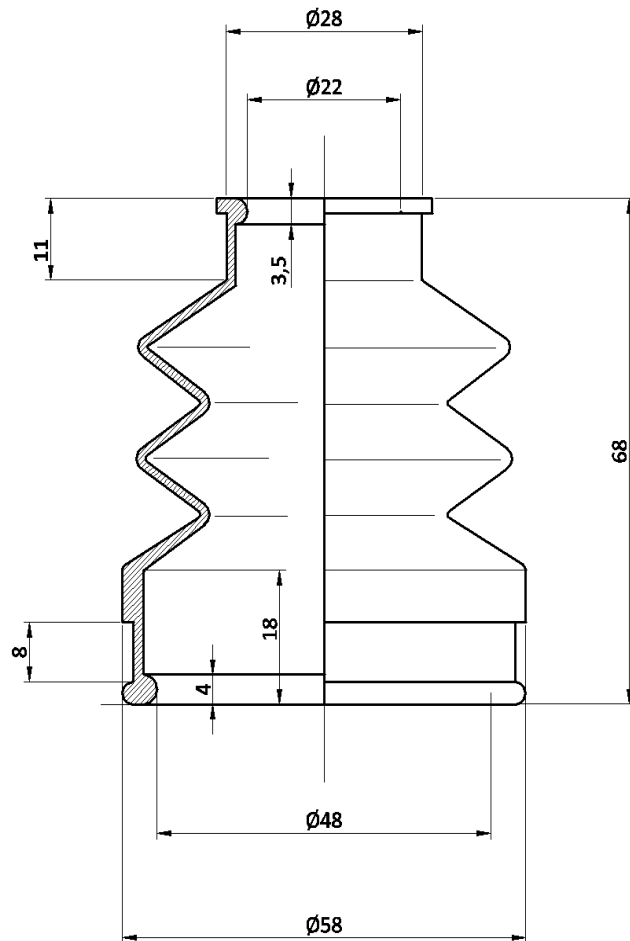
2683



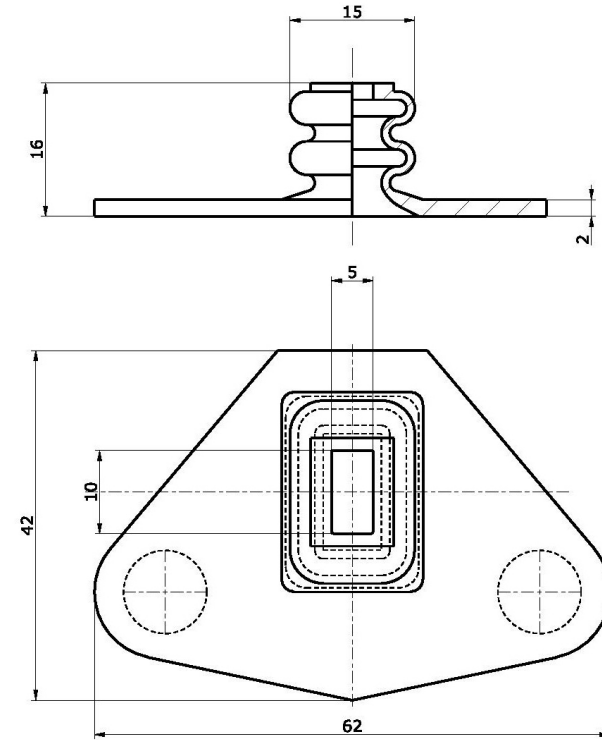
5639



5052



2590

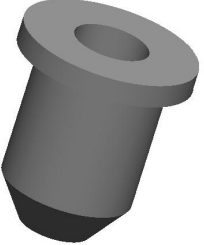


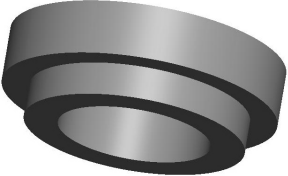
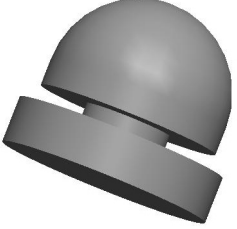


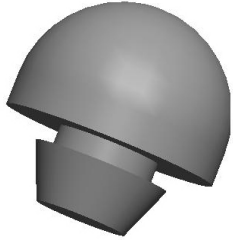
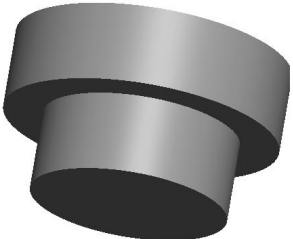




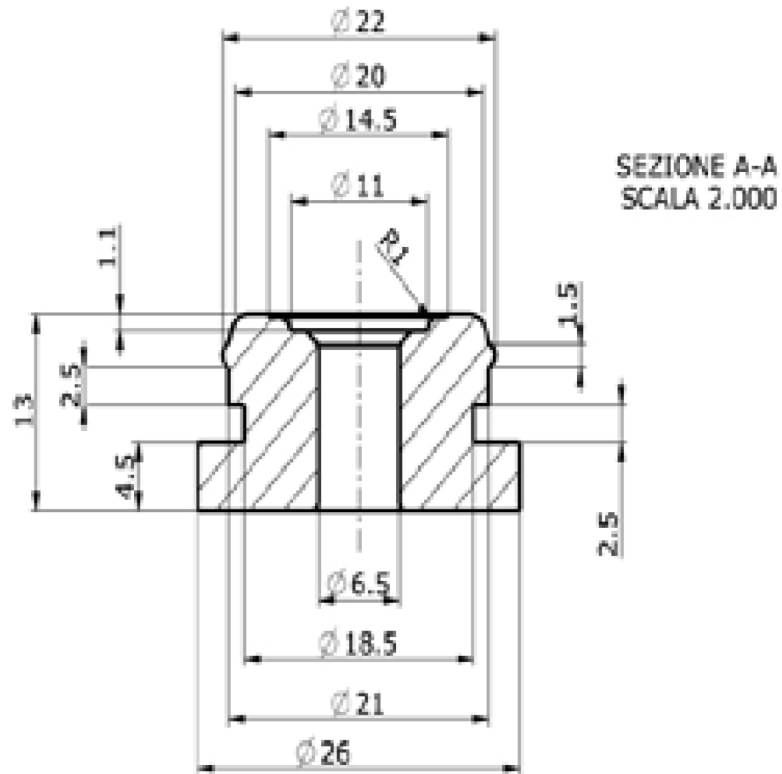
Plugs



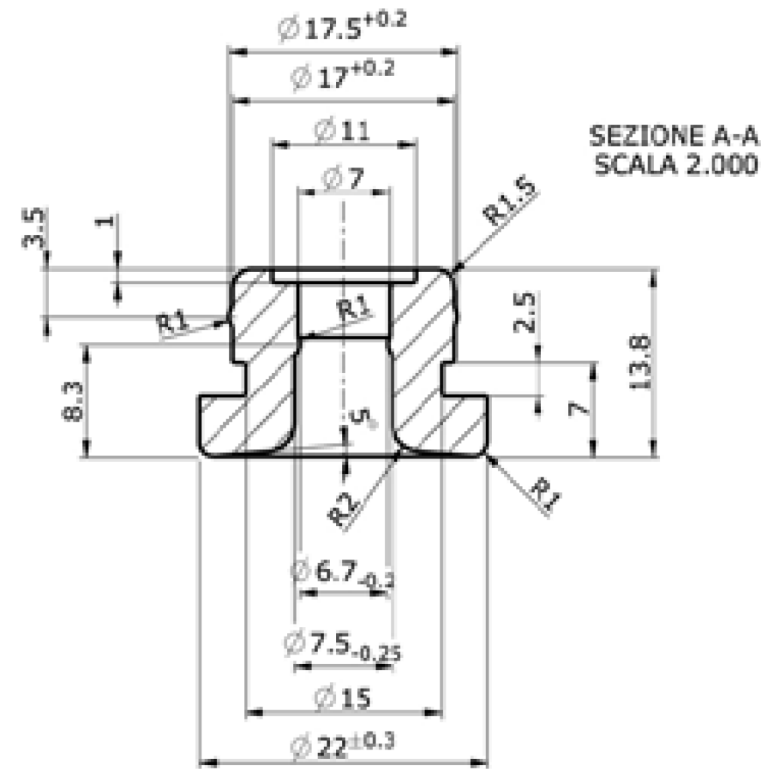
Click on the **profile** that suits your needs to access the table with quotations and the SAPAT codes.

| Connections   | 1   | 2   | 3   | 4   |
|---|---|---|---|---|
| <br>5   | <br>6   | <br>7    | <br>8   | <br>9 |
| <br>10 | <br>11 | <br>12 | <br>13 | <b>14</b><br><br><b>OTHERS</b>  |

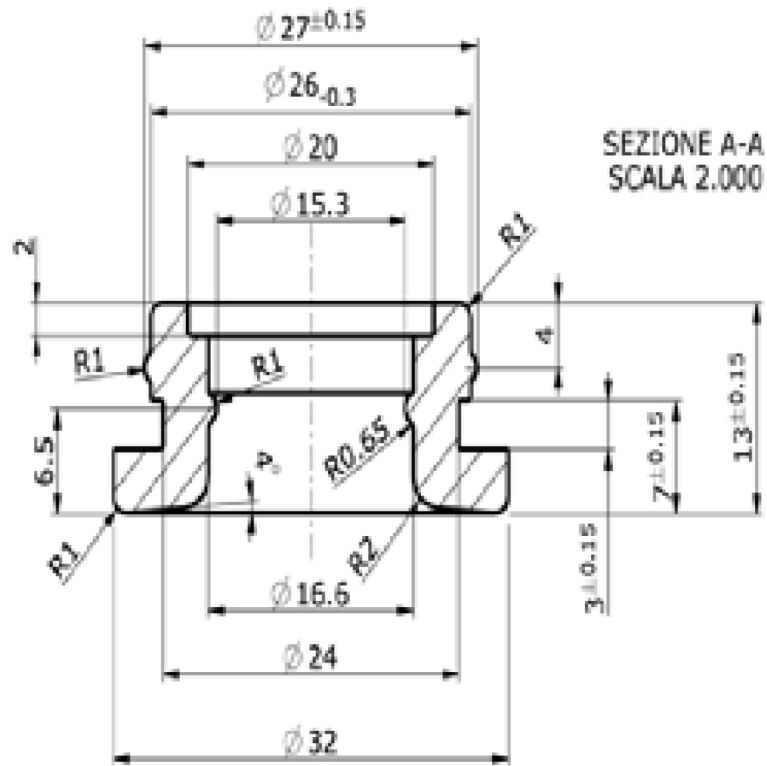
5337



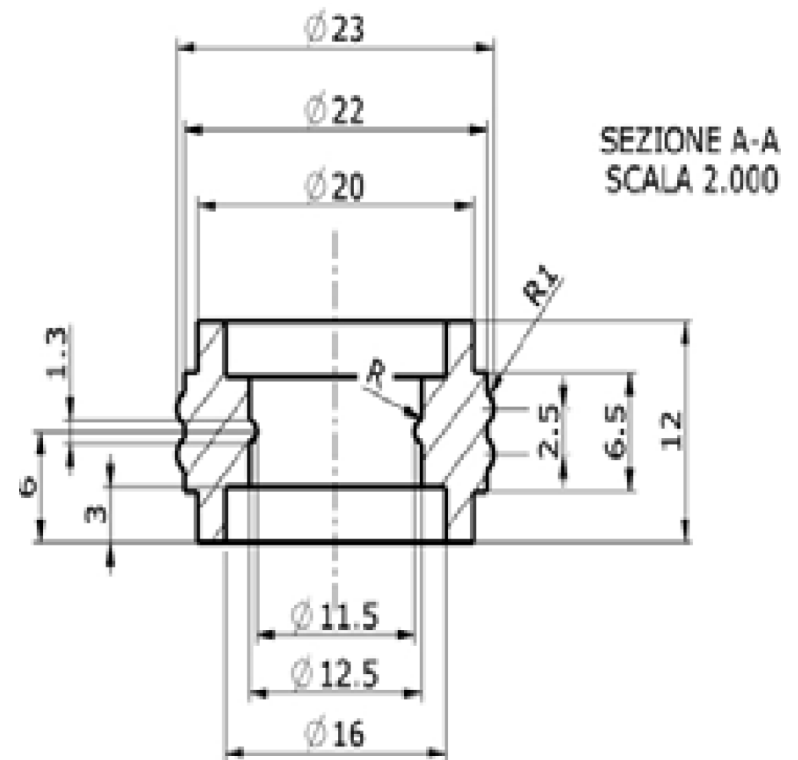
5566



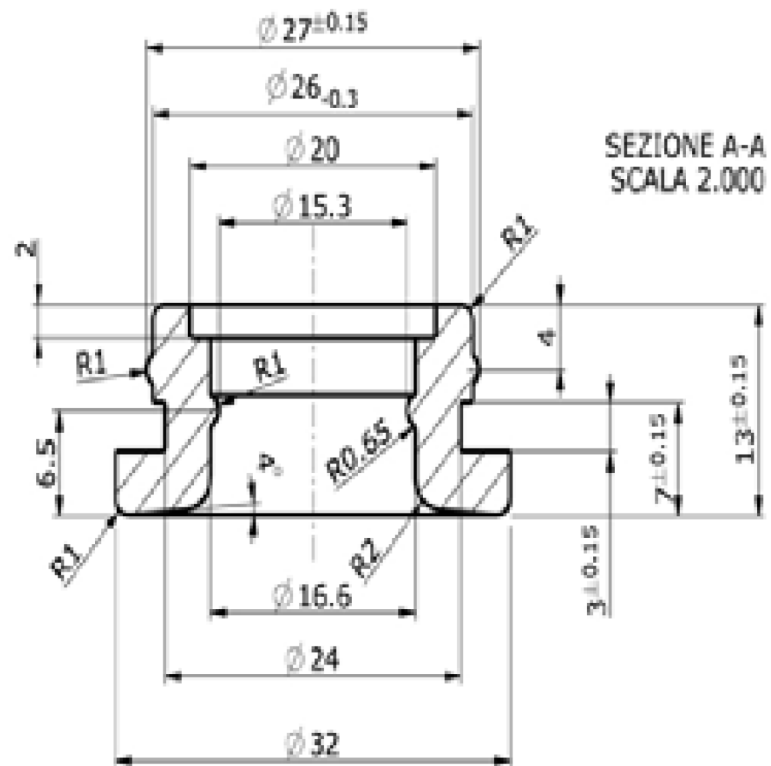
# 5573



# 5590



5391

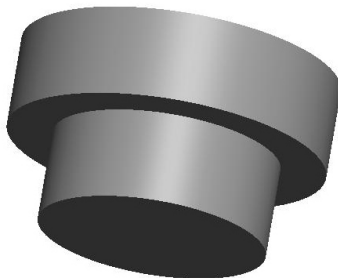
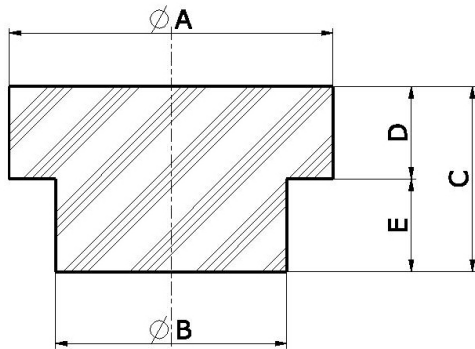


&lt;&lt; Back to all TYPES

1/2

# TYPE 1

See column "NOTE"



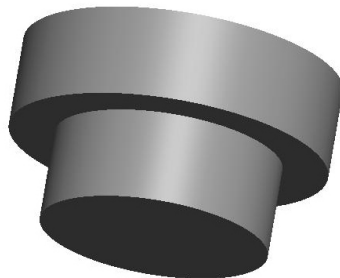
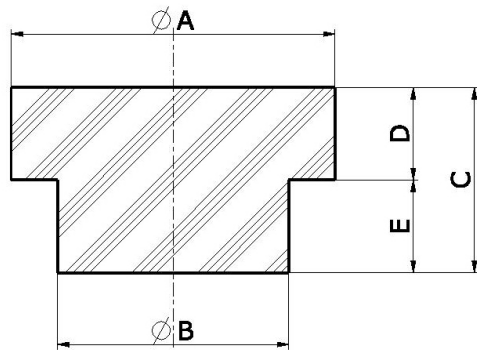
| A   | B    | C   | D   | E    | Note | SAPAT Code |
|-----|------|-----|-----|------|------|------------|
| 6.5 | 4.5  | 9.5 | 3.5 | 6    |      | 3588       |
| 7   | 4.5  | 4.5 | 1   | 3.5  |      | 4890       |
| 10  | 2.5  | 7.5 | 3.5 | 4    |      | 4205       |
| 10  | 4    | 18  | 4   | 14   |      | 3307       |
| 10  | 8    | 8   | 3   | 5    |      | 3218       |
| 10  | 5    | 14  | 4   | 10   |      | 4647       |
| 11  | 6.5  | 17  | 2   | 15   |      | 4831       |
| 11  | 8    | 17  | 4.5 | 12.5 |      | 3811       |
| 11  | 9    | 9   | 3   | 6    |      | 3515       |
| 12  | 10   | 8   | 3.2 | 4.8  |      | 4562       |
| 14  | 6    | 7.5 | 2.5 | 5    |      | 4742       |
| 14  | 8    | 10  | 2   | 8    |      | 2261       |
| 15  | 8    | 11  | 3   | 8    |      | 2547       |
| 15  | 10   | 16  | 4   | 12   |      | 728        |
| 16  | 6    | 6.5 | 3   | 3.5  |      | 4186       |
| 17  | 13   | 25  | 7.5 | 17.5 |      | 1378       |
| 18  | 14.5 | 25  | 10  | 15   |      | 2435       |
| 20  | 17   | 10  | 2   | 8    |      | 2912       |
| 22  | 15   | 31  | 21  | 10   |      | 4093/1     |
| 24  | 12   | 9   | 1.5 | 7.5  |      | 165        |
| 24  | 14   | 25  | 15  | 10   |      | 1227       |
| 24  | 20   | 10  | 6   | 4    |      | 2150       |
| 25  | 14   | 16  | 10  | 6    |      | 3281       |
| 25  | 20   | 31  | 10  | 21   |      | 1872       |

&lt;&lt; Back to all TYPES

2/2

# TYPE 1

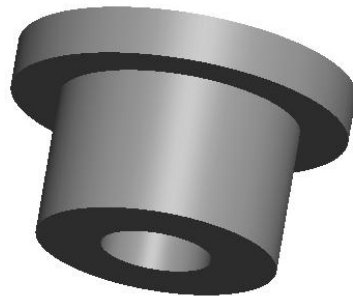
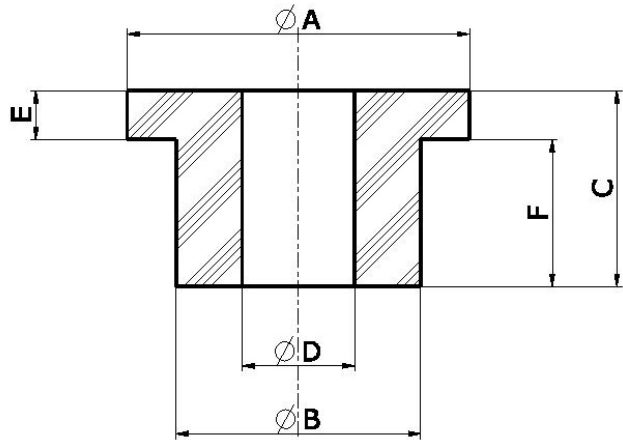
See column "NOTE"



| A  | B    | C    | D   | E    | Note        | SAPAT Code |
|----|------|------|-----|------|-------------|------------|
| 27 | 16   | 18   | 9.5 | 8.5  |             | 7072       |
| 30 | 9    | 20   | 6   | 14   | Threaded    | 1551       |
| 32 | 24   | 23   | 11  | 12   |             | 2050       |
| 38 | 30.5 | 10   | 5   | 5    |             | 4483       |
| 39 | 17   | 28.5 | 8.5 | 20   |             | 727        |
| 40 | 18   | 23   | 11  | 12   |             | 1630       |
| 40 | 18.5 | 29   | 9.5 | 19.5 |             | 732        |
| 50 | 35   | 20   | 15  | 5    |             | 4810       |
| 57 | 47   | 33   | 8   | 25   | Square base | 7133       |
| 65 | 7    | 34   | 25  | 9    |             | 2864       |

<< Back to all TYPES

## TYPE 2

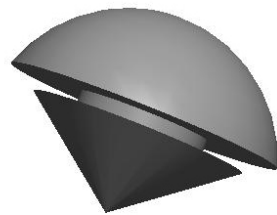
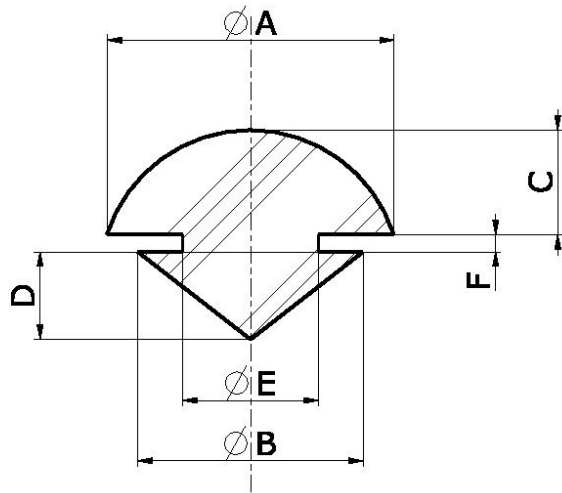


| A                    | B    | C    | D   | E   | F   | SAPAT Code |
|----------------------|------|------|-----|-----|-----|------------|
| 10                   | 6    | 13   | 3   | 2   | 11  | 7330       |
| 12                   | 7    | 7.5  | 5   | 1   | 6.5 | 4760       |
| 16                   | 5.5  | 3    | 4   | 1   | 2   | 1902       |
| 17                   | 11   | 15.5 | 5.5 | 2.5 | 13  | 7307       |
| 25                   | 22   | 27   | 13  | 4   | 23  | 1727       |
| 25                   | 14.5 | 6.5  | 11  | 1.5 | 5   | 1773       |
| 26                   | 20   | 15   | 4   | 8   | 7   | 3626       |
| 36                   | 16.5 | 26   | 6.5 | 10  | 16  | 1011       |
| 47<br>Square<br>base |      | 16   |     |     |     | 3666       |
| 60<br>Square<br>base |      | 40   |     |     |     | 3661       |



[<< Back to all TYPES](#)

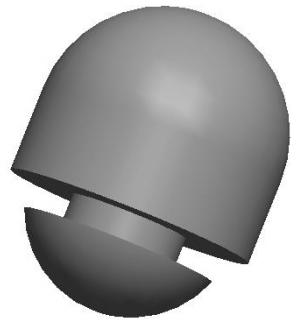
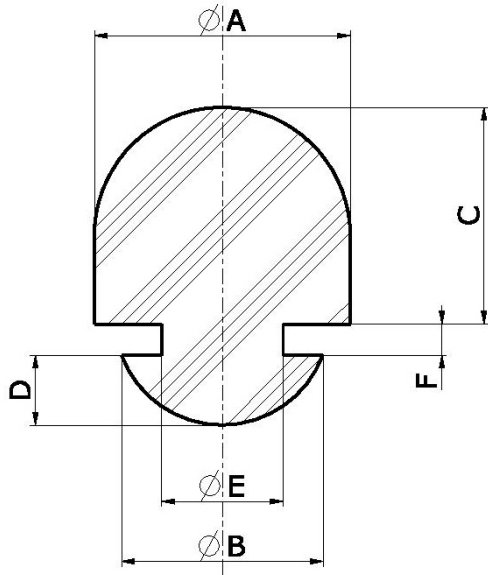
## TYPE 3



| A    | B   | C   | D   | E   | F   | SAPAT Code |
|------|-----|-----|-----|-----|-----|------------|
| 10   | 5.5 | 4   | 4   | 4   | 1.5 | 4168       |
| 10   | 7.5 | 9   | 5   | 5.5 | 1.5 | 7018       |
| 14.7 | 9.5 | 4.5 | 7.5 | 7   | 2   | 7451       |

[<< Back to all TYPES](#)

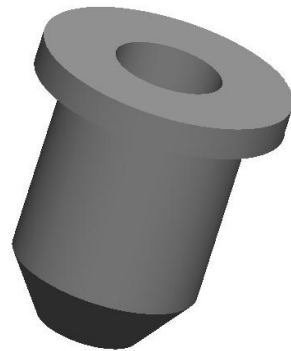
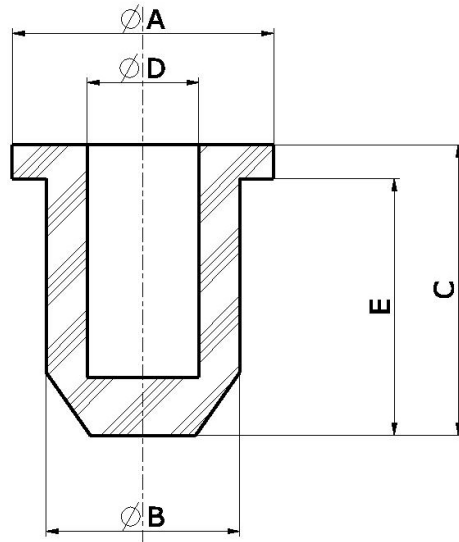
## TYPE 4



| A   | B   | C   | D | E   | F   | SAPAT Code |
|-----|-----|-----|---|-----|-----|------------|
| 8.5 | 6.5 | 7   | 4 | 5.5 | 1.7 | 1435       |
| 20  | 10  | 9.5 | 3 | 7.5 | 2   | 2026       |

[<< Back to all TYPES](#)

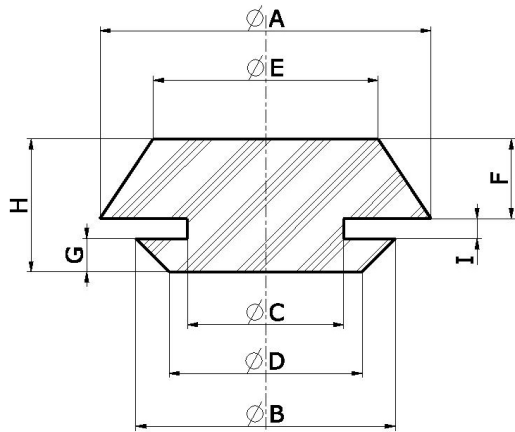
## TYPE 5



| A    | B    | C  | D   | E    | SAPAT Code |
|------|------|----|-----|------|------------|
| 10   | 7    | 8  | 4   | 6    | 4781       |
| 13.5 | 9.5  | 20 | 5   | 16   | 86223      |
| 16   | 11.7 | 13 | 6.5 | 11.5 | 4477       |
| 18   | 14   | 24 | 7   | 19.5 | 3796       |
| 33   | 28   | 29 | 22  | 20.5 | 3649       |
| 34   | 25   | 23 | 16  | 20   | 4805       |
| 65   | 45   | 32 | 40  | 28   | 4676       |

[<< Back to all TYPES](#)

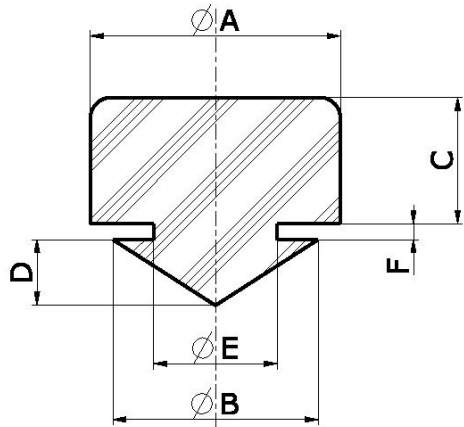
## TYPE 6



| A  | B    | C    | D  | E  | F   | G   | H    | I   | SAPAT Code |
|----|------|------|----|----|-----|-----|------|-----|------------|
| 41 | 37   | 32   | 25 | 31 | 9   | 12  | 29   | 8   | 3500       |
| 30 | 27   | 25   | 25 | 29 | 2.5 | 2   | 10.5 | 6   | 4012       |
| 20 | 18   | 16   | 14 | 17 | 3   | 1.5 | 10.5 | 6   | 4013       |
| 55 | 52   | 47   | 38 | 38 | 9   | 12  | 29   | 8   | 4165       |
| 14 | 12   | 10   | 9  | 11 | 2.5 | 3.5 | 8    | 2   | 4479       |
| 18 | 13.5 | 12.5 | 11 | 16 | 5.2 | 3.6 | 11   | 2.2 | 4478       |
| 42 | 42   | 32   | 33 | 26 | 7   | 11  | 27   | 9   | 4624       |
| 24 | 21   | 16   | 16 | 23 | 2.5 | 3.5 | 9.5  | 3.5 | 4846       |

[<< Back to all TYPES](#)

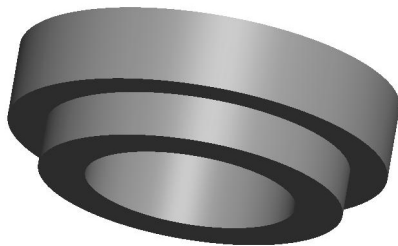
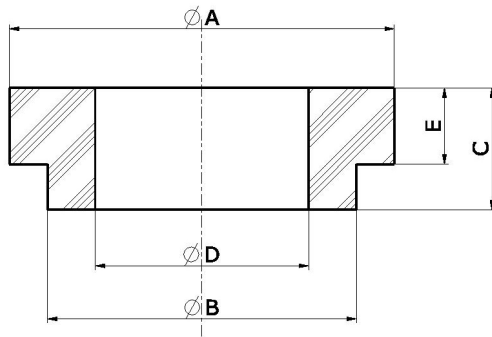
## TYPE 7



| A  | B   | C   | D   | E   | F   | SAPAT Code |
|----|-----|-----|-----|-----|-----|------------|
| 8  | 5.8 | 1   | 4   | 4   | 1.5 | 4706       |
| 11 | 7.8 | 2.5 | 4.5 | 6.5 | 1.5 | 3674       |
| 15 | 10  | 5   | 25  | 5   | 3.5 | 3331       |
| 15 | 11  | 9.5 | 5.5 | 7   | 1   | 3308       |

[<< Back to all TYPES](#)

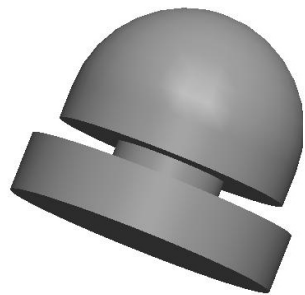
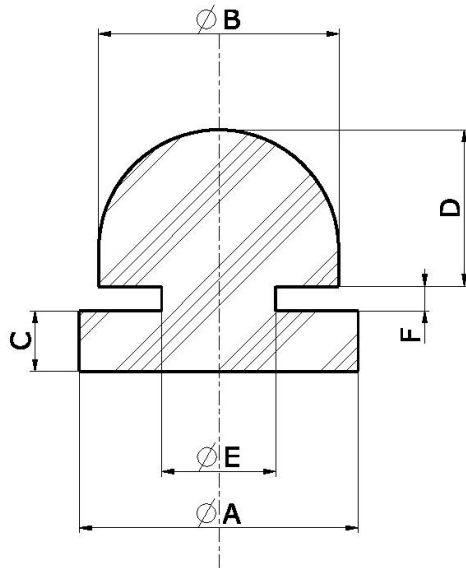
## TYPE 8



| A  | B  | C  | D  | E  | SAPAT Code |
|----|----|----|----|----|------------|
| 20 | 16 | 5  | 8  | 2  | 2811       |
| 20 | 16 | 10 | 10 | 5  | 4978       |
| 20 | 16 | 14 | 8  | 10 | 3387       |
| 80 | 60 | 52 | 20 | 27 | 7472       |
| 80 | 60 | 78 | 30 | 40 | 7475       |

[<< Back to all TYPES](#)

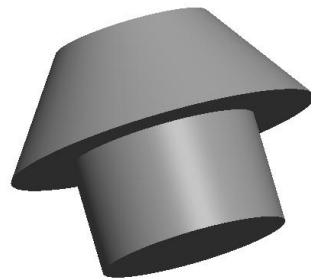
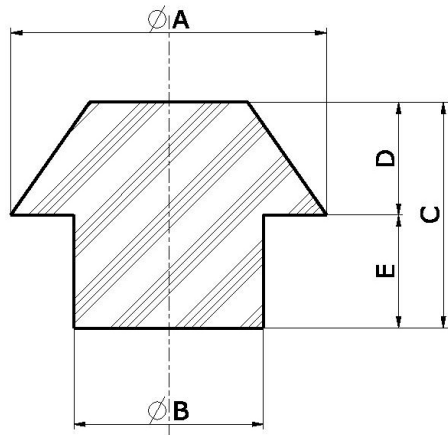
## TYPE 9



| A    | B    | C   | D   | E   | F   | SAPAT Code |
|------|------|-----|-----|-----|-----|------------|
| 8    | 10   | 1.5 | 4   | 5   | 3   | 3250       |
| 10   | 7    | 3.5 | 4   | 5.3 | 2   | 1074       |
| 11.5 | 8    | 5   | 5.5 | 6.5 | 1.5 | 3489       |
| 12   | 9    | 2.5 | 4   | 7   | 2   | 4432       |
| 12   | 10   | 2.5 | 6   | 9   | 2   | 7424       |
| 12   | 10.5 | 2.5 | 4.5 | 7.5 | 1.5 | 7407       |

[<< Back to all TYPES](#)

## TYPE 10

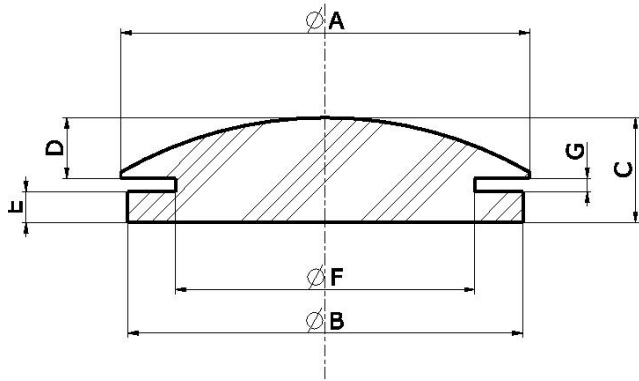


| A    | B    | C    | D   | E    | SAPAT Code |
|------|------|------|-----|------|------------|
| 8    | 5.5  | 8    | 2.5 | 5.5  | 1784       |
| 8.5  | 5    | 6.5  | 2   | 4.5  | 2115       |
| 9    | 5    | 13.5 | 4   | 9.5  | 3563       |
| 9    | 5    | 10.5 | 3.5 | 7    | 1836       |
| 9    | 4    | 10   | 3.5 | 6.5  | 1008       |
| 13.5 | 7.2  | 22.5 | 13  | 9.5  | 4741       |
| 14   | 8    | 11.5 | 1.5 | 10   | 1680       |
| 15.5 | 10   | 18   | 8   | 10   | 1508       |
| 15.5 | 8    | 12.5 | 5.5 | 7    | 1047       |
| 16   | 10   | 28   | 8   | 20   | 2718       |
| 16   | 14   | 13   | 9   | 4    | 25         |
| 17   | 8    | 19   | 9   | 10   | 7316       |
| 19   | 9    | 18.5 | 9   | 9.5  | 3715       |
| 20   | 8    | 18   | 9   | 9    | 3883       |
| 20   | 10   | 17   | 8.5 | 8.5  | 3962       |
| 23   | 12   | 20.5 | 10  | 10.5 | 376        |
| 25   | 18.5 | 34   | 10  | 24   | 1491       |
| 28   | 14   | 23   | 10  | 13   | 4987       |
| 30   | 20   | 31   | 11  | 20   | 7063       |



&lt;&lt; Back to all TYPES

## TYPE 11

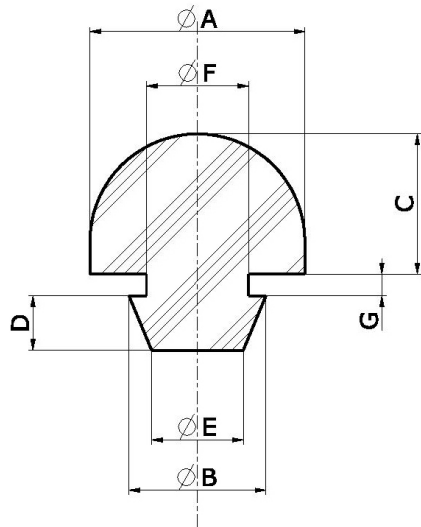


| A  | B  | C    | D   | E | F  | G | SAPAT Code |
|----|----|------|-----|---|----|---|------------|
| 28 | 26 | 7.5  | 2.5 | 2 | 21 | 3 | 2645       |
| 30 | 35 | 10.5 | 1.5 | 7 | 25 | 2 | 2024       |



<< Back to all TYPES

# TYPE 12

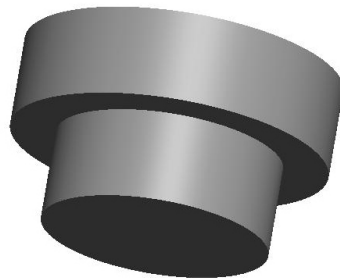
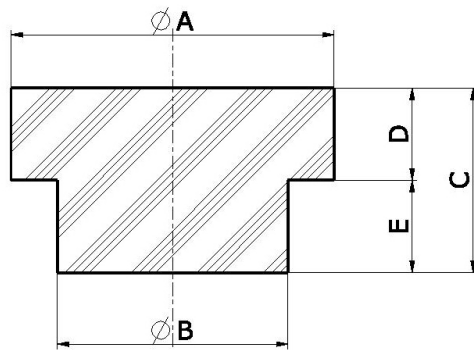


| A  | B  | C   | D   | E   | F    | G   | SAPAT Code |
|----|----|-----|-----|-----|------|-----|------------|
| 10 | 6  | 7   | 3   | 4.5 | 4.2  | 1   | 7162       |
| 14 | 22 | 7   | 14  | 16  | 10.5 | 1   | 4827       |
| 18 | 12 | 11  | 5.5 | 10  | 8.5  | 4.5 | 1237       |
| 20 | 10 | 12  | 3   | 7   | 7.5  | 2   | 990        |
| 20 | 11 | 7.5 | 2.5 | 8   | 10   | 16  | 3456       |
| 20 | 12 | 27  | 8   | 10  | 9    | 5   | 3917       |

<< Back to all TYPES

# TYPE 13

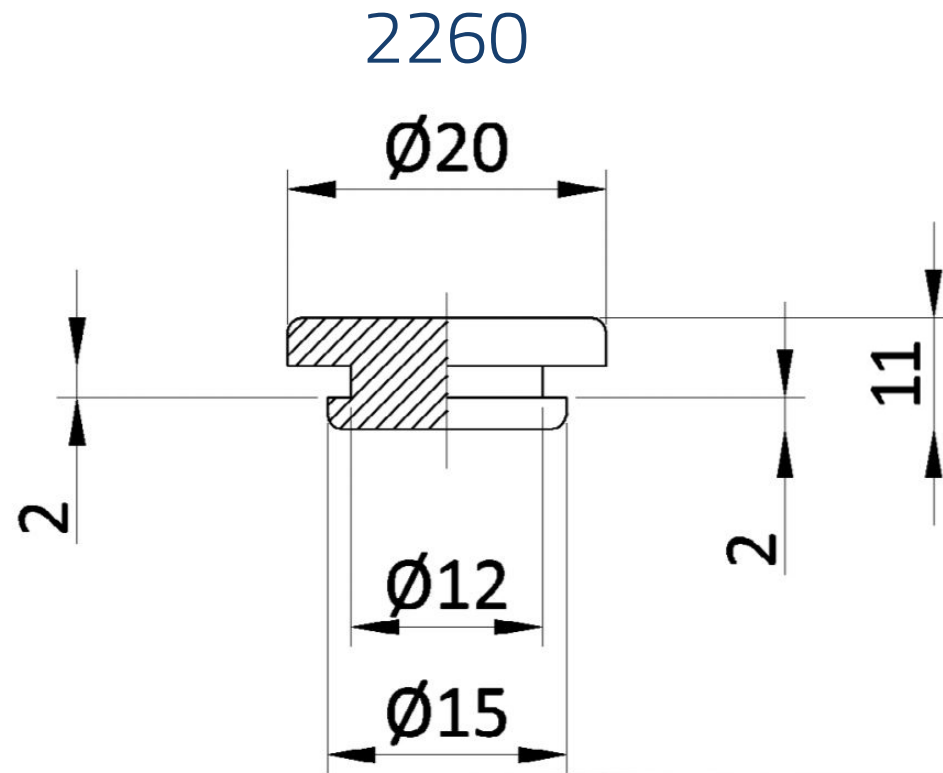
See column "NOTE"

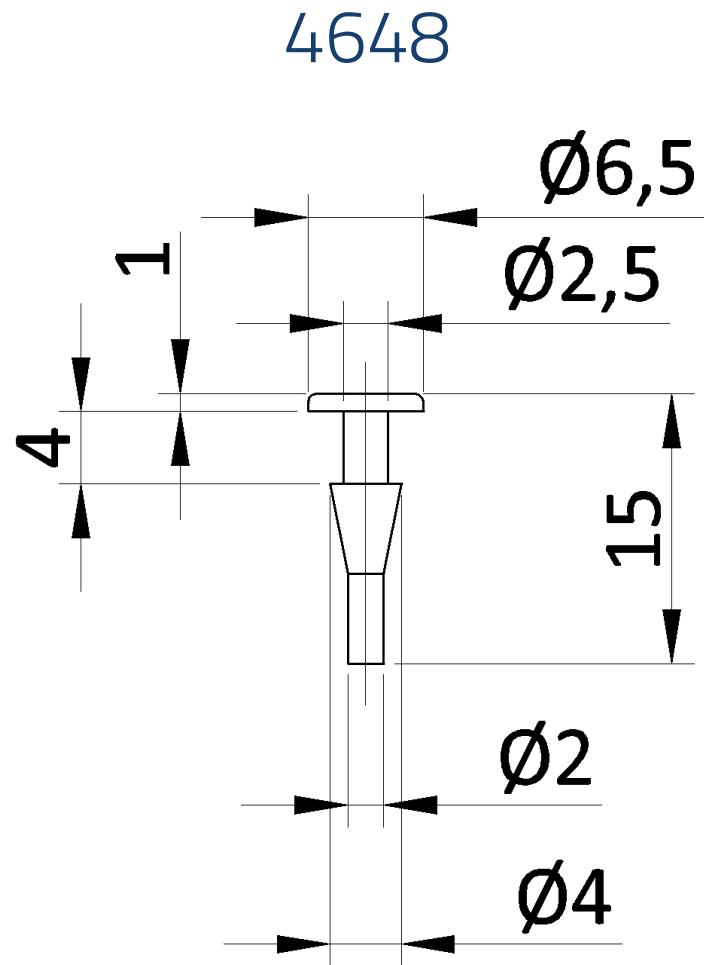


| A         | B  | C    | D   | E  | Note  | SAPAT Code |
|-----------|----|------|-----|----|---|------------|
| 39        | 30 | 11   | 6   | 5  | Square plan                                   | 1897       |
| 30        | 23 | 31.5 | 9.5 | 22 | Square plan                                   | 4764       |
| (6 x 11)  | 11 | 10   | 2   | 7  | Oval plan, h gorge 1mm                        | 3761       |
| (31 x 10) | 25 | 30   | 29  | 27 | Square plan                                   | 7308       |
| 26        | 22 | 17   | 25  | 23 | Trapezoidal plan, Holed, $\emptyset$ hole 5mm | 7354       |

## TYPE 14: OTHER Plugs

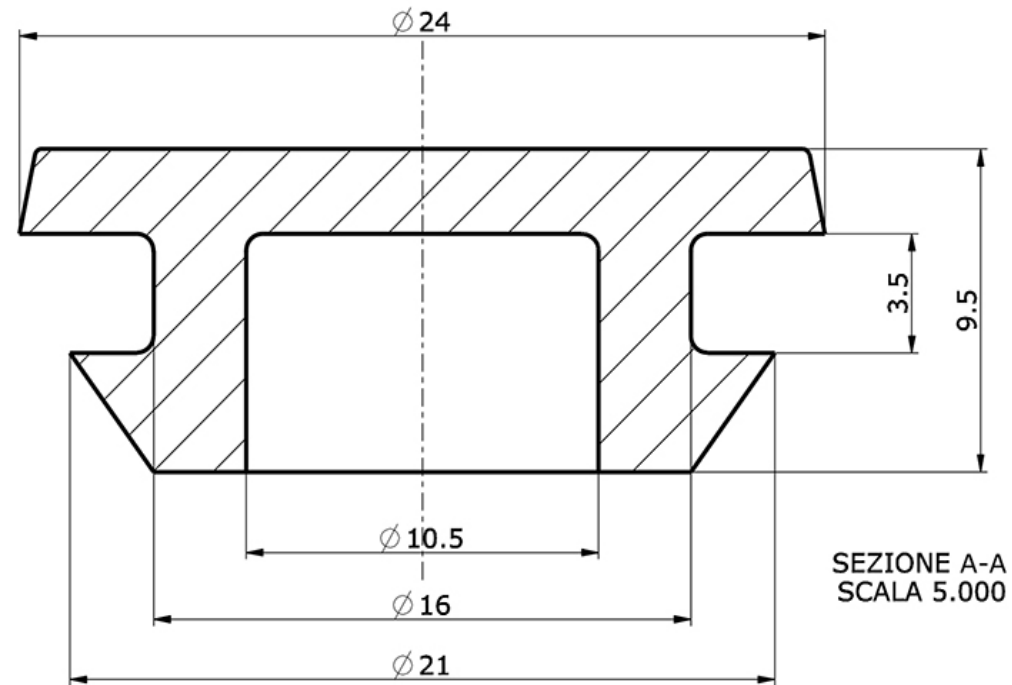
Scroll through the drawings that do not fit into the previous categories:

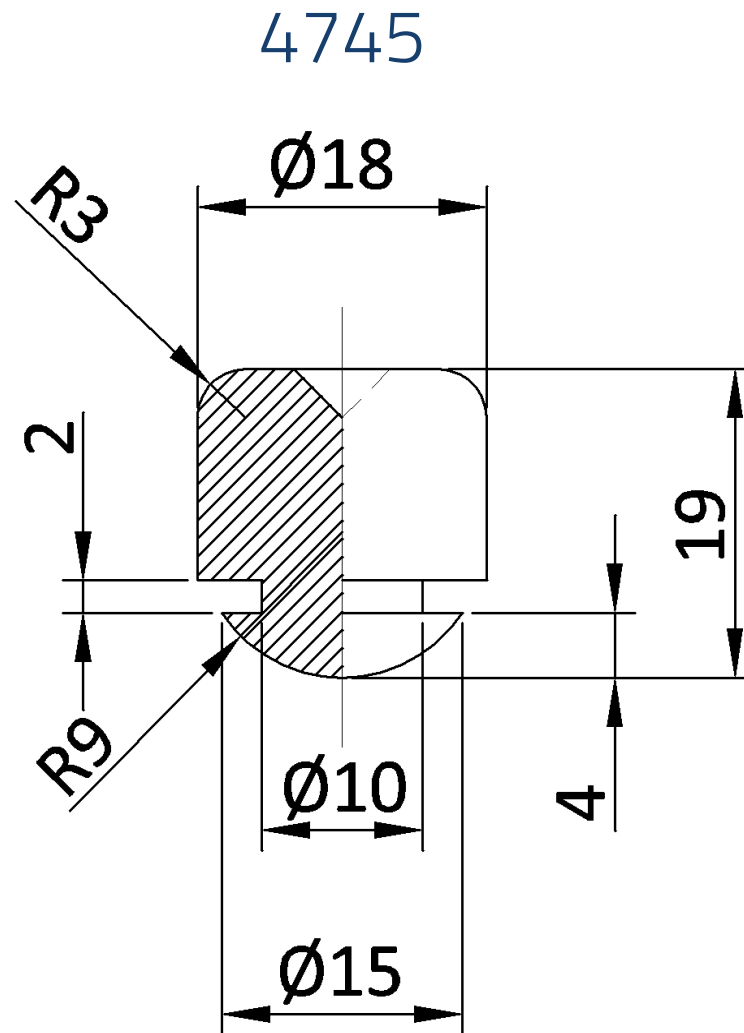


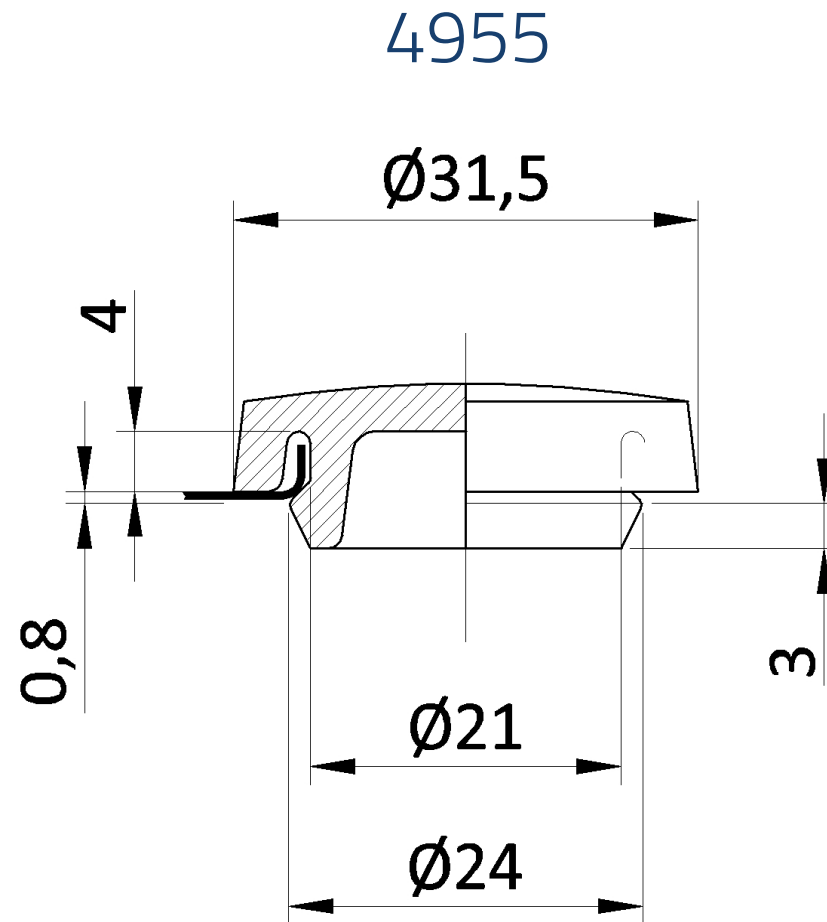
[<< Back to all TYPES](#)

&lt;&lt; Back to all TYPES

4846



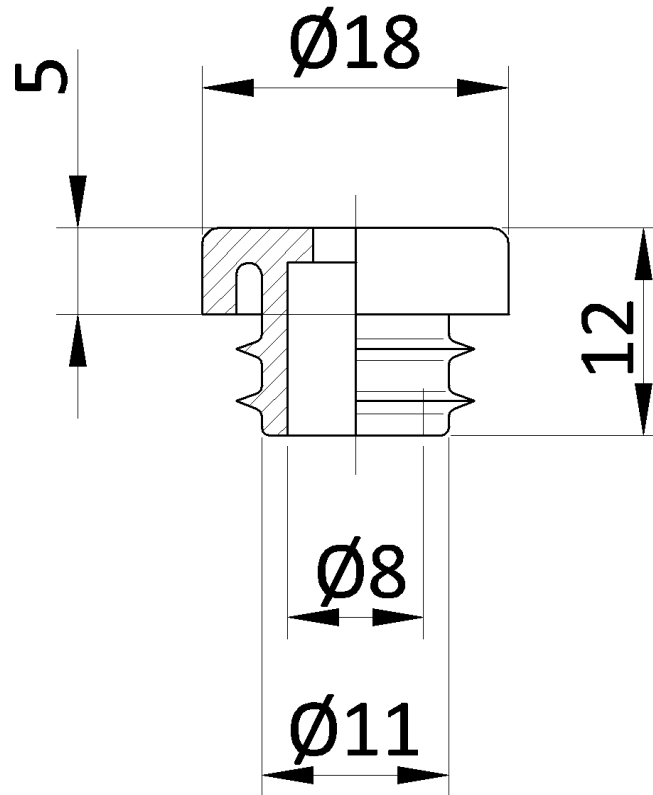
[<< Back to all TYPES](#)

[<< Back to all TYPES](#)



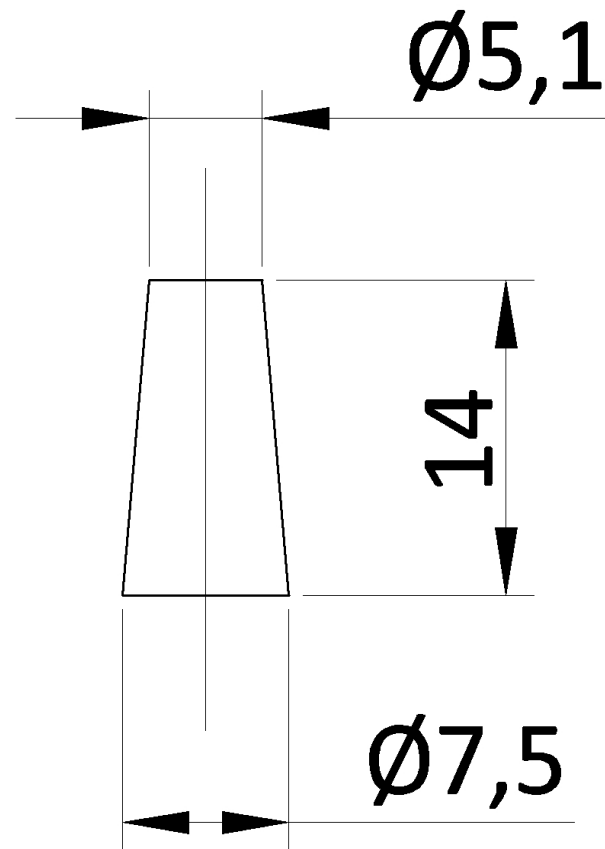
<< Back to all TYPES

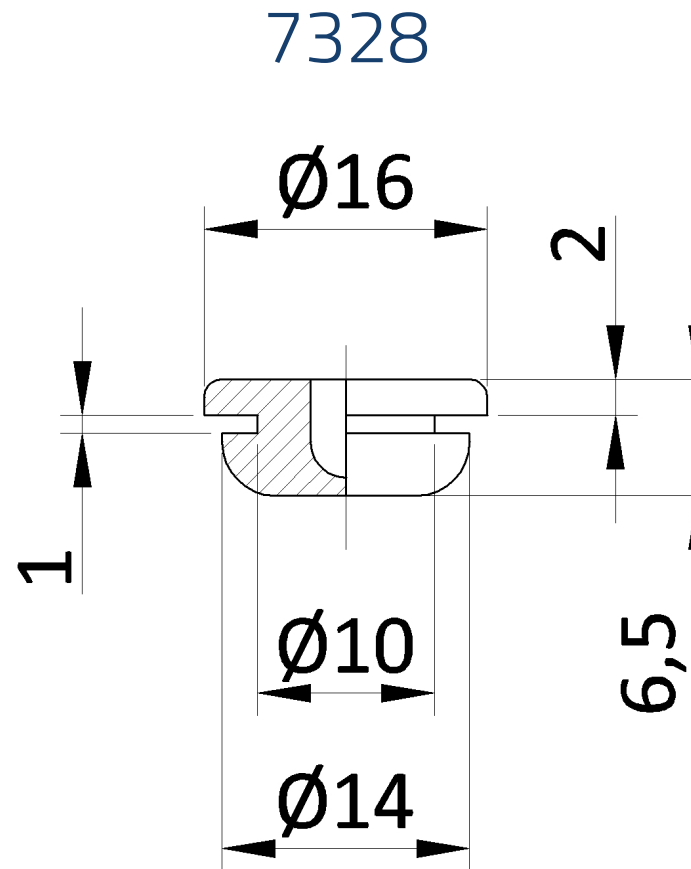
7193



[<< Back to all TYPES](#)

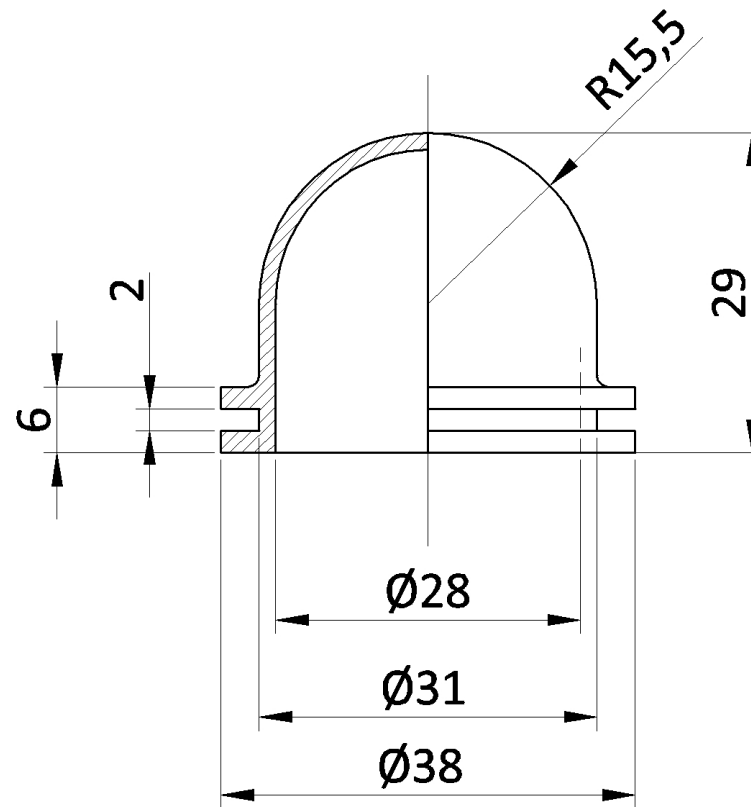
7269

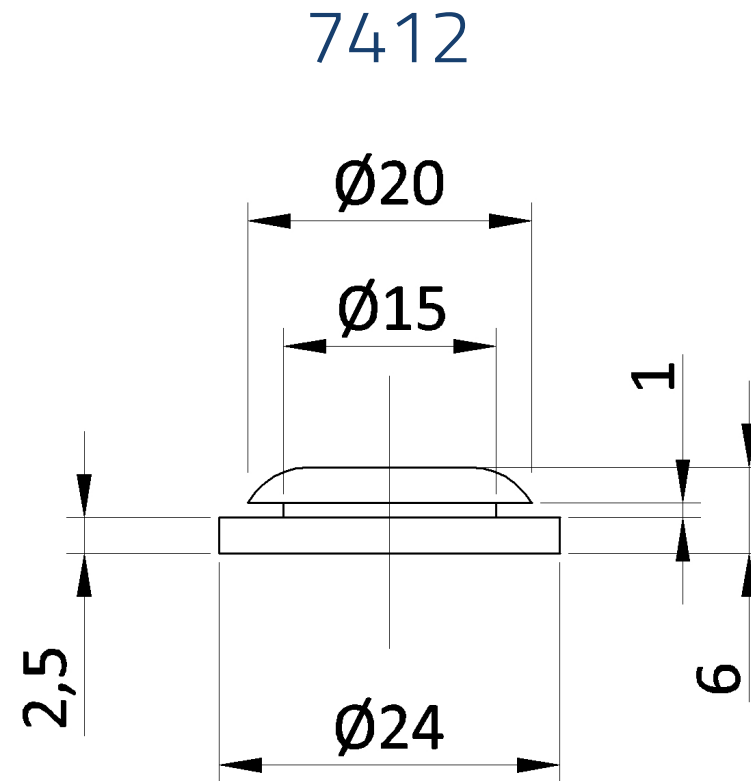


[<< Back to all TYPES](#)

[<< Back to all TYPES](#)

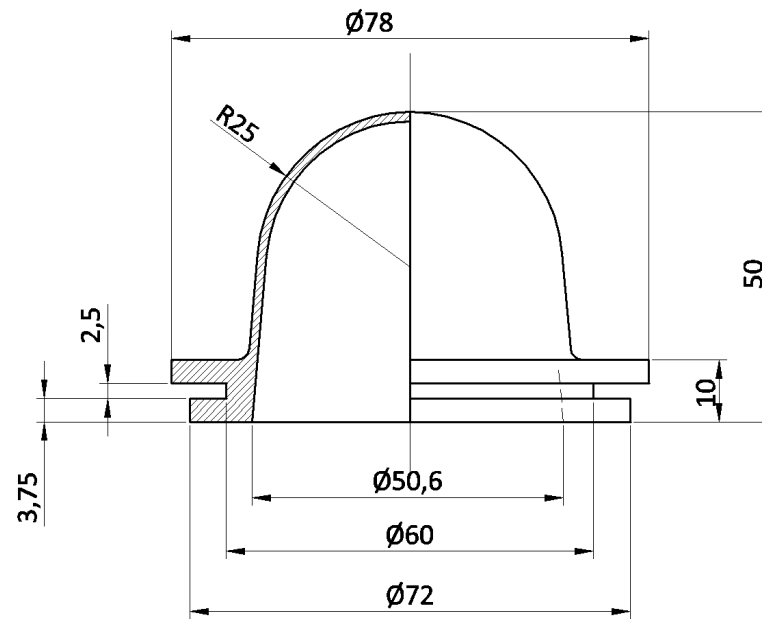
7409



[<< Back to all TYPES](#)

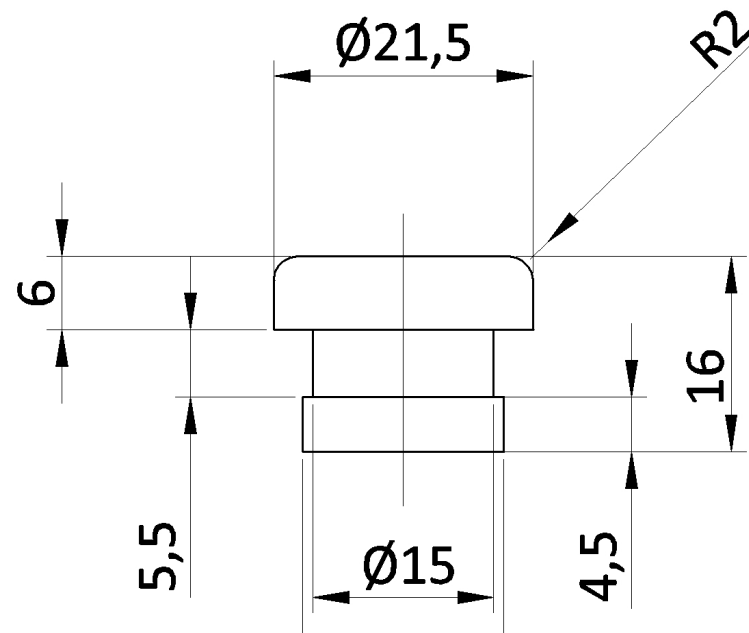
[<< Back to all TYPES](#)

7588



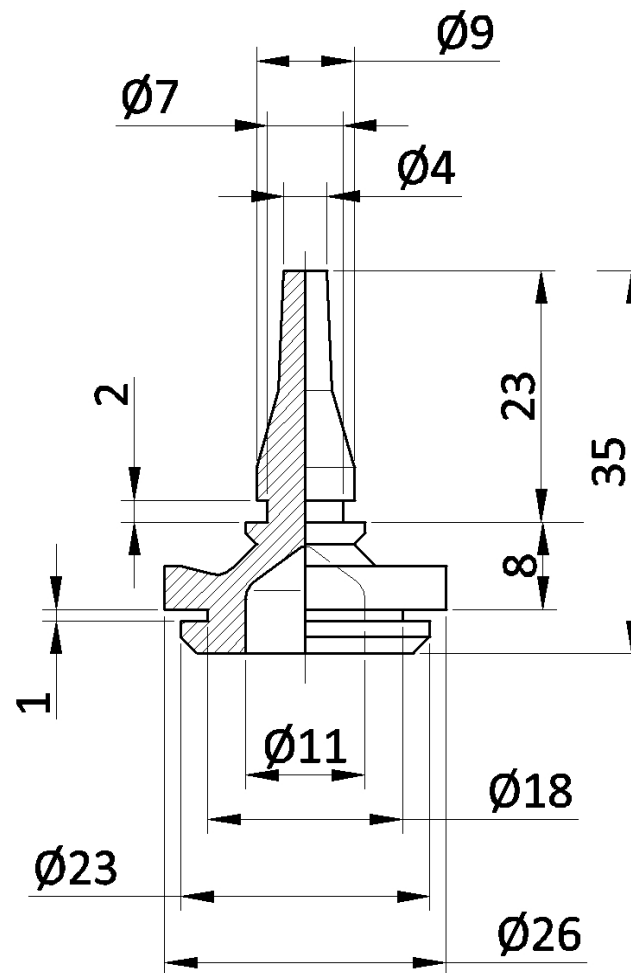
[<< Back to all TYPES](#)

4093

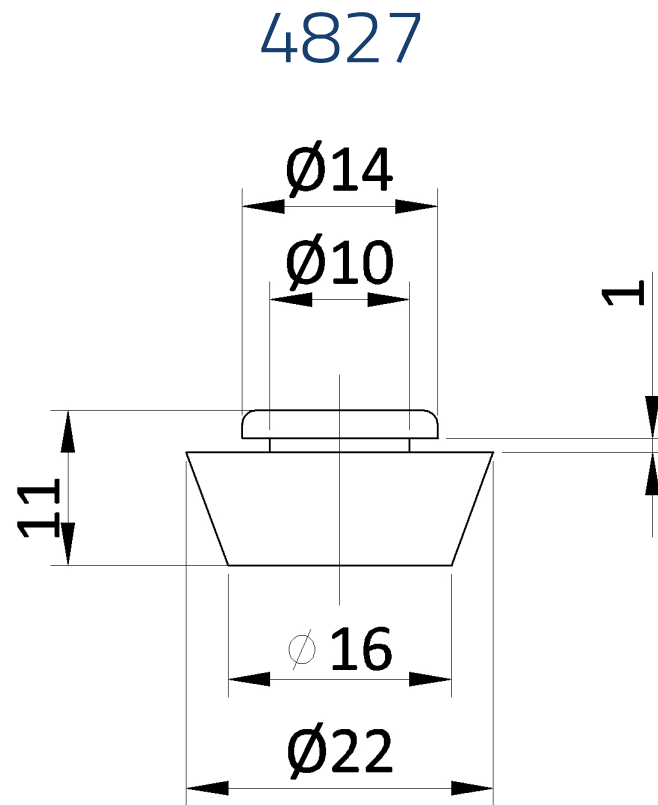


[<< Back to all TYPES](#)

7357

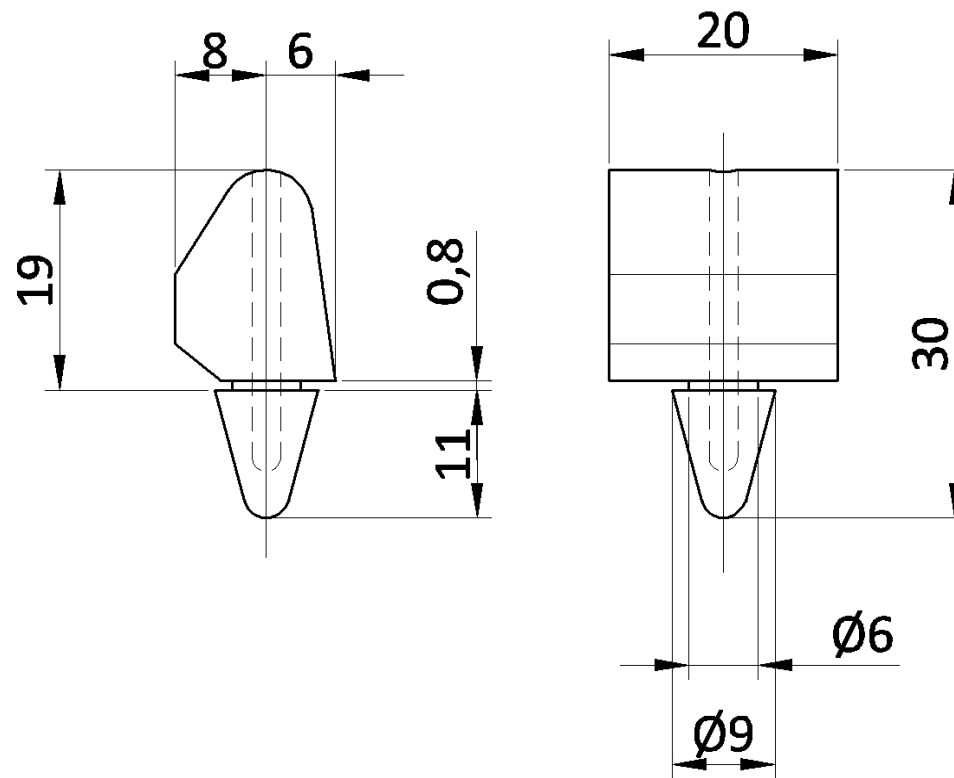


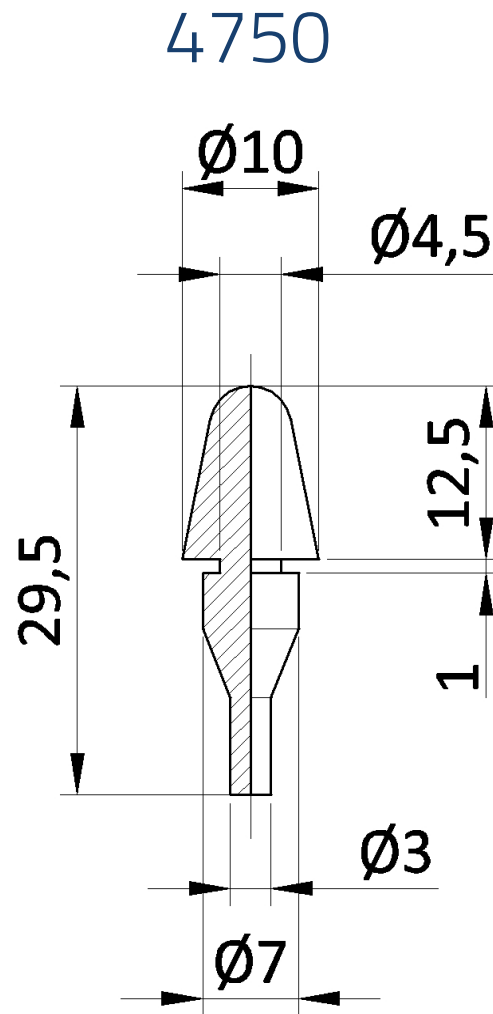


[<< Back to all TYPES](#)

[<< Back to all TYPES](#)

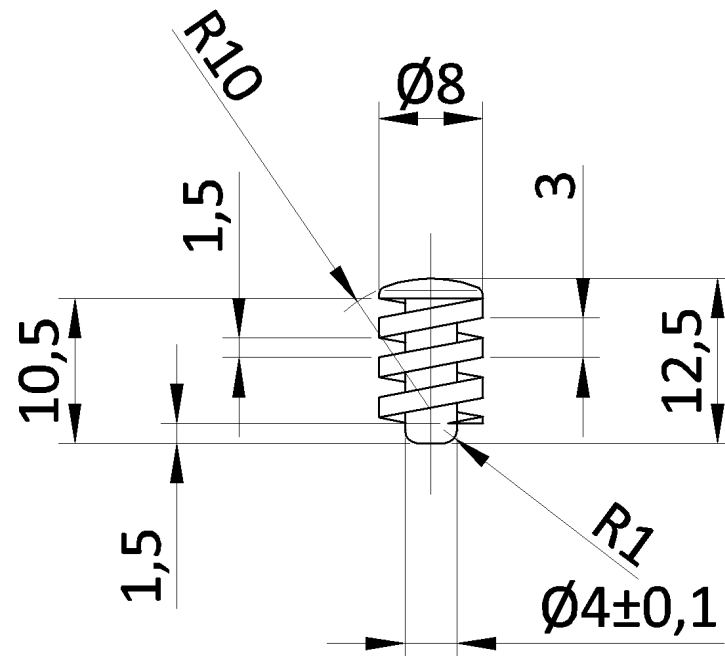
4287



[<< Back to all TYPES](#)

[<< Back to all TYPES](#)

7199

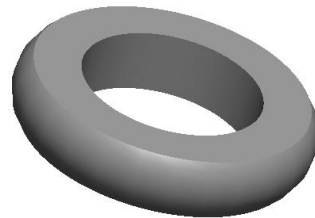
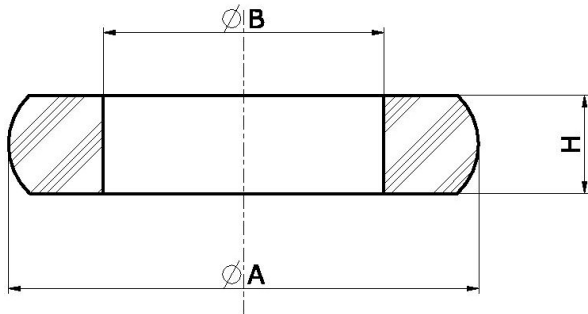




O-rings for brakes

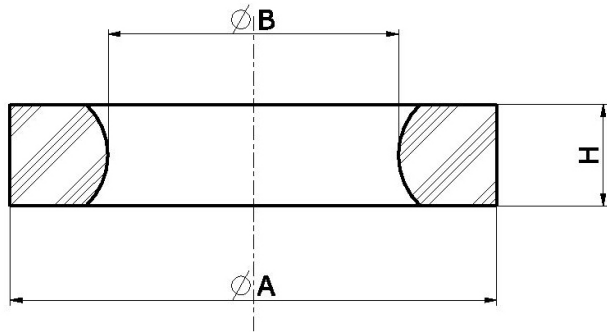


Refer to the table below, ordered by increasing values of the outer diameter ( Measure "A").

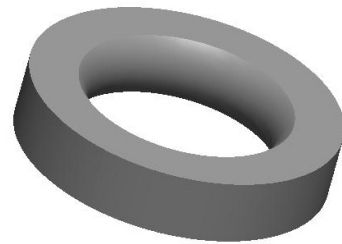


| A     | B     | H    | SAPAT Code |
|-------|-------|------|------------|
| 14.3  | 8     | 4    | 5181       |
| 16.15 | 8.7   | 3.5  | 5335       |
| 17.95 | 11    | 3.5  | 5423       |
| 19.5  | 11    | 4    | 5403       |
| 20.2  | 14.7  | 3.45 | 5208       |
| 20.74 | 11    | 4    | 5547       |
| 20.8  | 10.5  | 4    | 5564       |
| 21    | 13.5  | 4.5  | 5437       |
| 21    | 12.5  | 4.5  | 5436       |
| 22.2  | 14.5  | 5    | 5283       |
| 22.5  | 15    | 5    | 5597       |
| 24.3  | 16    | 5    | 5334       |
| 25.4  | 16    | 6    | 5371       |
| 27.45 | 16.85 | 6    | 5348       |
| 28    | 18.5  | 5    | 5163       |
| 29    | 19    | 6    | 1149       |
| 31.8  | 20    | 7    | 5038       |
| 31.8  | 23    | 6    | 5162       |
| 35.4  | 22.5  | 7    | 5501       |
| 38.45 | 24    | 8    | 5359       |
| 40.4  | 25    | 8    | 5502       |
| 40    | 29    | 5    | 5032       |
| 44.5  | 29    | 8    | 1144       |
| 51    | 33    | 9    | 5081/1     |
| 57    | 39    | 9    | 5082       |

Refer to the table below, ordered by increasing values of the outer diameter ( Measure "A").



| A  | B  | H | SAPAT Code |
|----|----|---|------------|
| 30 | 21 | 5 | 5033       |

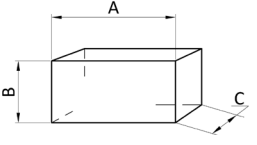
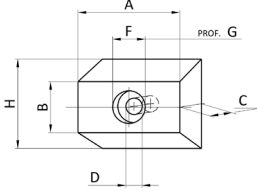
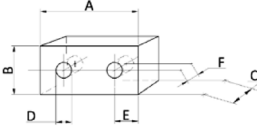
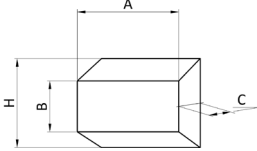
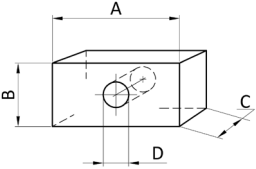
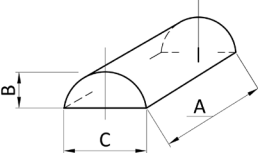
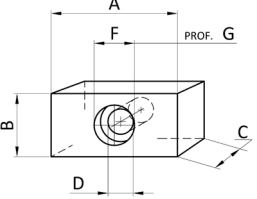
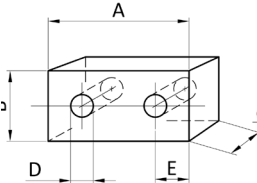
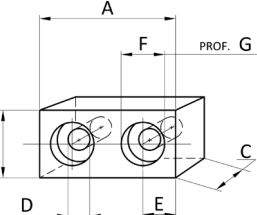
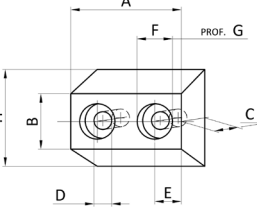
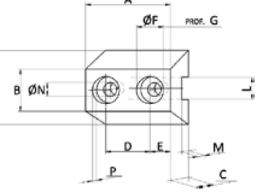
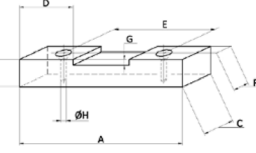
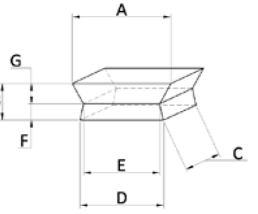
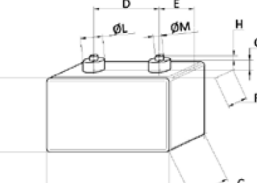
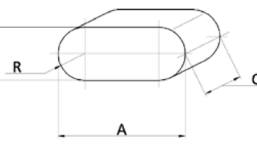
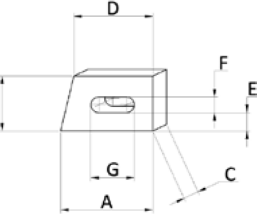
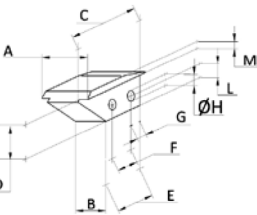
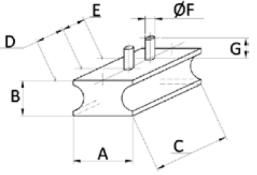
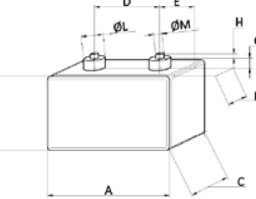
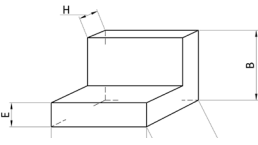
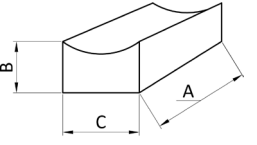


Pads



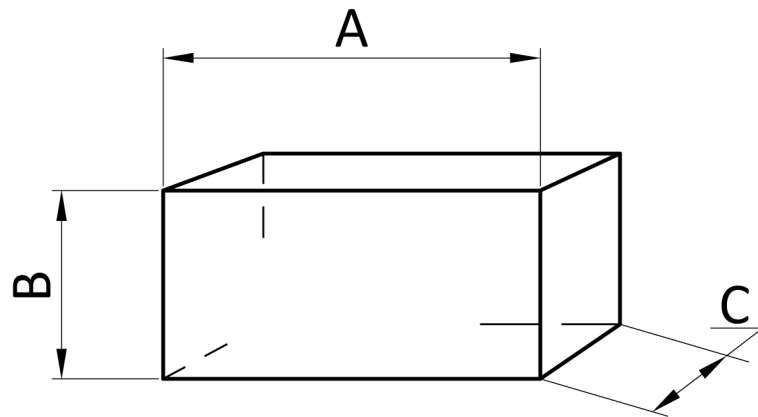


Click on the **profile** that suits your needs to access the table with quotations and the SAPAT codes.

|  |  |  |   |  |  |  |
|--|--|--|---|--|--|--|
| <p style="text-align: center;"><b>1</b></p>     | <p style="text-align: center;"><b>2</b></p>     | <p style="text-align: center;"><b>3</b></p>     | <p style="text-align: center;"><b>4</b></p>     | <p style="text-align: center;"><b>5</b></p>     | <p style="text-align: center;"><b>6</b></p>     | <p style="text-align: center;"><b>7</b></p>     |
| <p style="text-align: center;"><b>8</b></p>     | <p style="text-align: center;"><b>9</b></p>     | <p style="text-align: center;"><b>10</b></p>    | <p style="text-align: center;"><b>11</b></p>    | <p style="text-align: center;"><b>12</b></p>    | <p style="text-align: center;"><b>13</b></p>   | <p style="text-align: center;"><b>14</b></p>   |
| <p style="text-align: center;"><b>15</b></p>  | <p style="text-align: center;"><b>16</b></p>  | <p style="text-align: center;"><b>17</b></p>  | <p style="text-align: center;"><b>18</b></p>  | <p style="text-align: center;"><b>19</b></p>  | <p style="text-align: center;"><b>20</b></p>  | <p style="text-align: center;"><b>21</b></p>  |

<< Back to all TYPES

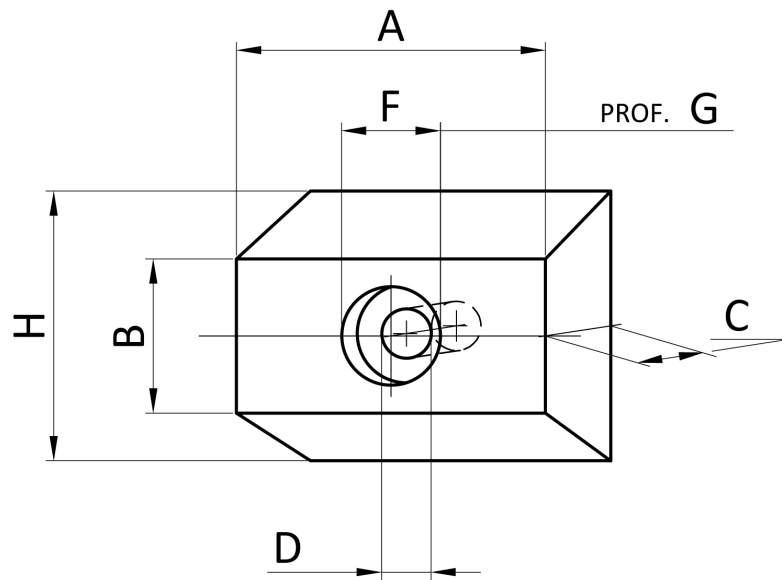
# TYPE 1



| A  | B    | C    | SAPAT Code |
|----|------|------|------------|
| 38 | 28   | 20   | 2432       |
| 70 | 22   | 20   | 2837       |
| 32 | 20   | 16   | 2838       |
| 59 | 41   | 22   | 2899       |
| 24 | 14   | 4    | 3156       |
| 30 | 20   | 12   | 3628       |
| 61 | 40   | 24.5 | 4025       |
| 63 | 46.5 | 24   | 4137       |

<< Back to all TYPES

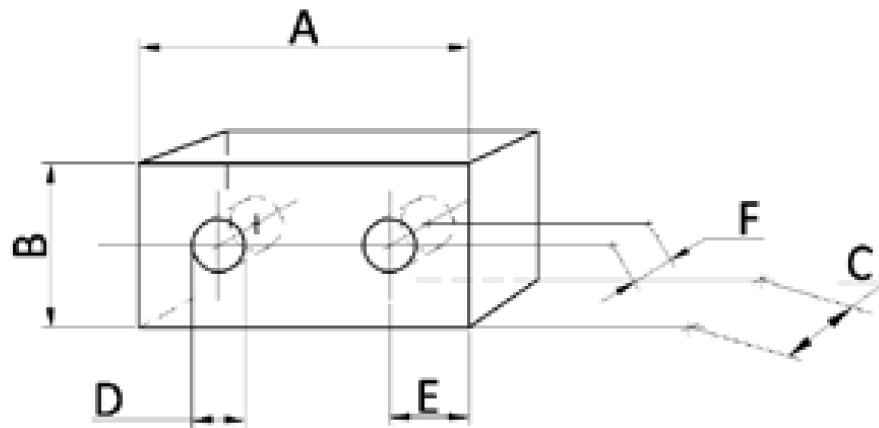
# TYPE 2



| A    | B  | C  | D | E | F    | SAPAT Code |
|------|----|----|---|---|------|------------|
| 34.5 | 23 | 10 | 5 | 5 | 25.5 | 2642       |
| 33   | 22 | 10 | 5 | 5 | 24   | 2924       |
| 34   | 22 | 15 | 5 | 5 | 25.5 | 3408       |

<< Back to all TYPES

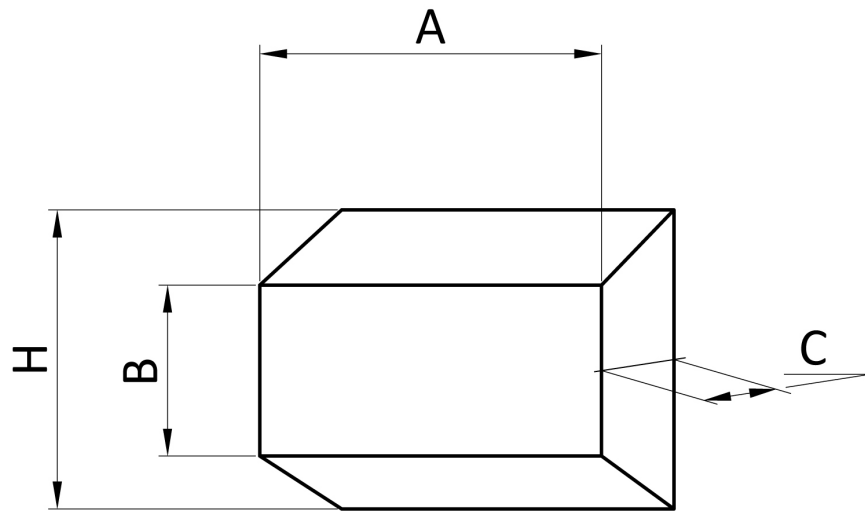
# TYPE 3



| A    | B  | C  | D  | F  | SAPAT Code |
|------|----|----|----|----|------------|
| 101  | 59 | 45 | 10 | 10 | 2552       |
| 32.5 | 25 | 14 | 5  | 5  | 3947       |

<< Back to all TYPES

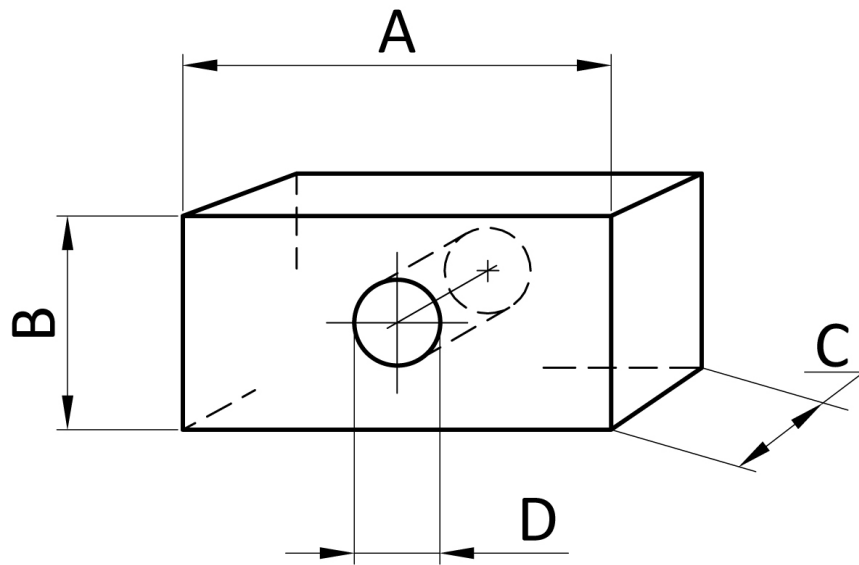
# TYPE 4



| A  | B  | C  | H  | SAPAT Code |
|----|----|----|----|------------|
| 75 | 45 | 47 | 57 | 2553       |

<< Back to all TYPES

# TYPE 5

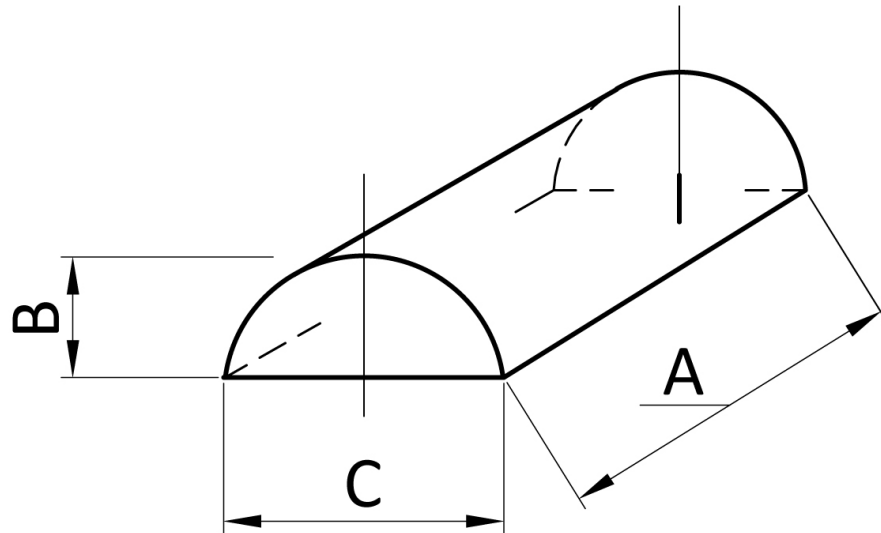


| A  | B  | C  | D   | SAPAT Code |
|----|----|----|-----|------------|
| 45 | 30 | 20 | 9.5 | 3583       |
| 46 | 34 | 18 | 14  | 2981       |

<< Back to all TYPES

# TYPE 6

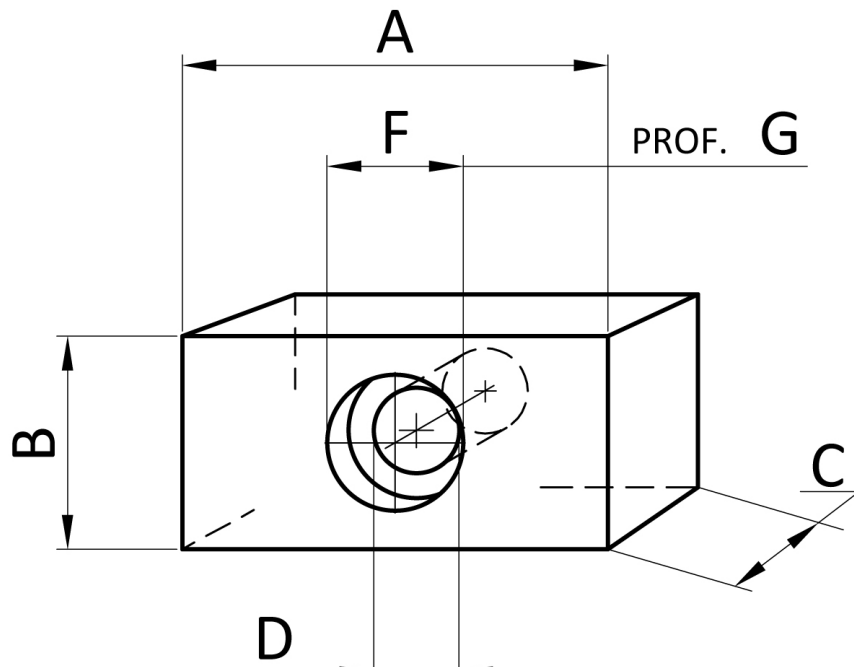
## Pass-through hole



| A    | B | C    | Hole diameter | SAPAT Code |
|------|---|------|---------------|------------|
| 25.5 | 8 | 11.5 | 5             | 3342       |

<< Back to all TYPES

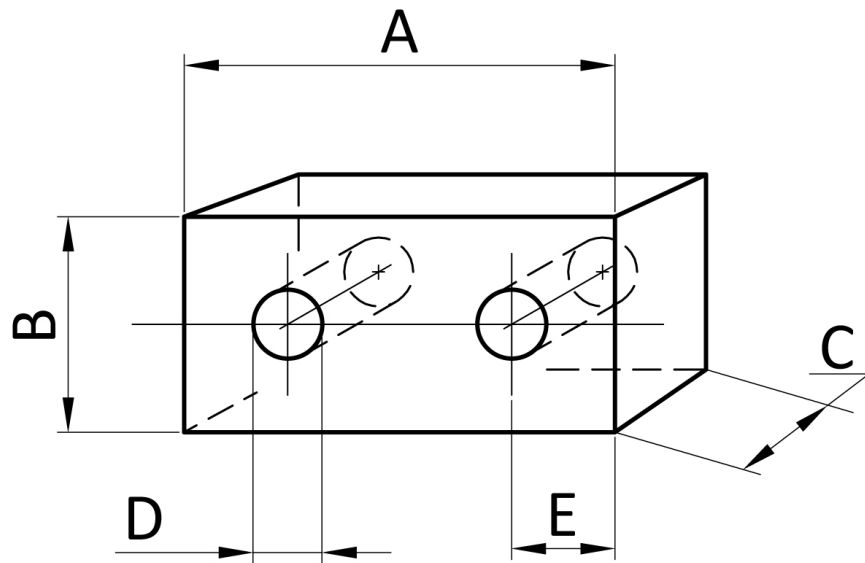
# TYPE 7





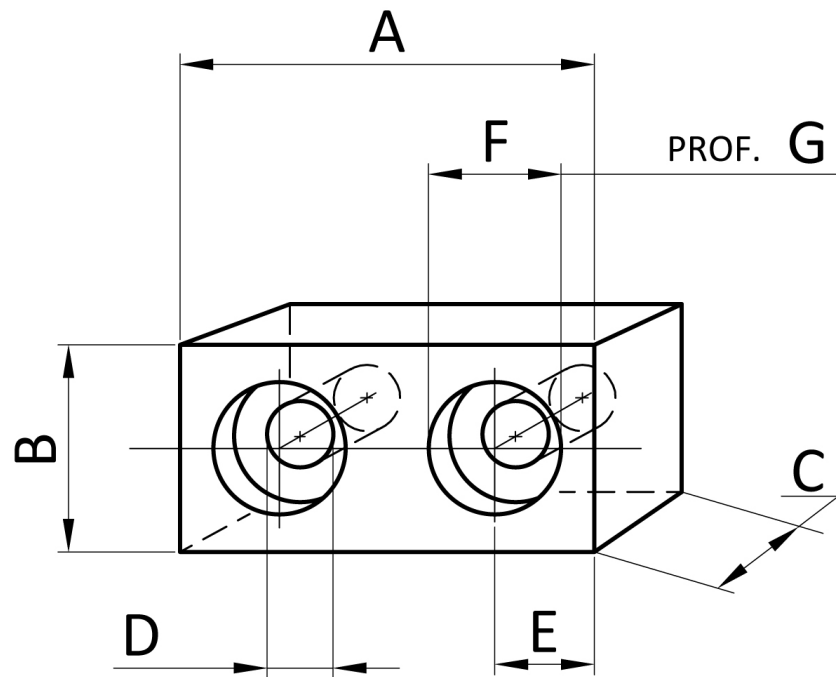
<< Back to all TYPES

# TYPE 8



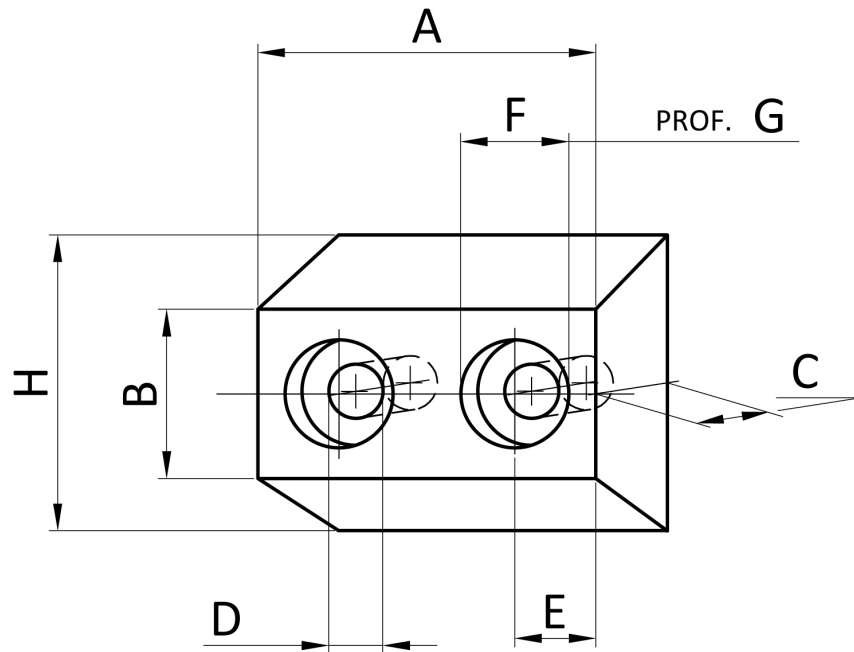
<< Back to all TYPES

# TYPE 9



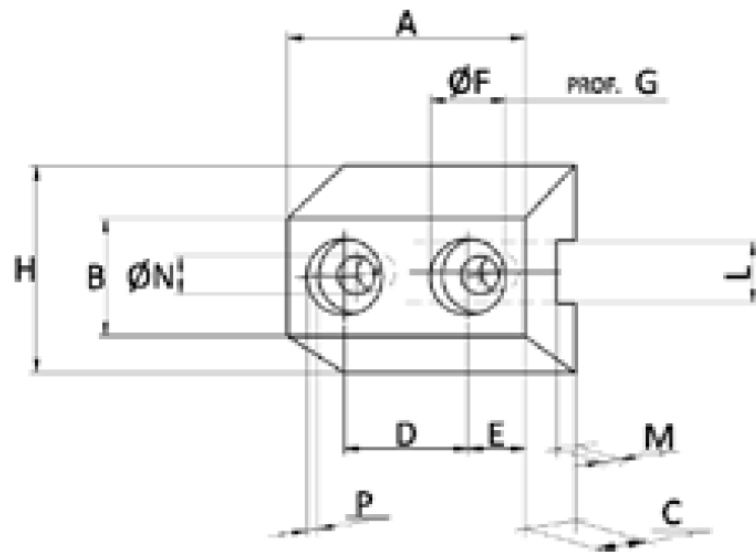
<< Back to all TYPES

# TYPE 10



<< Back to all TYPES

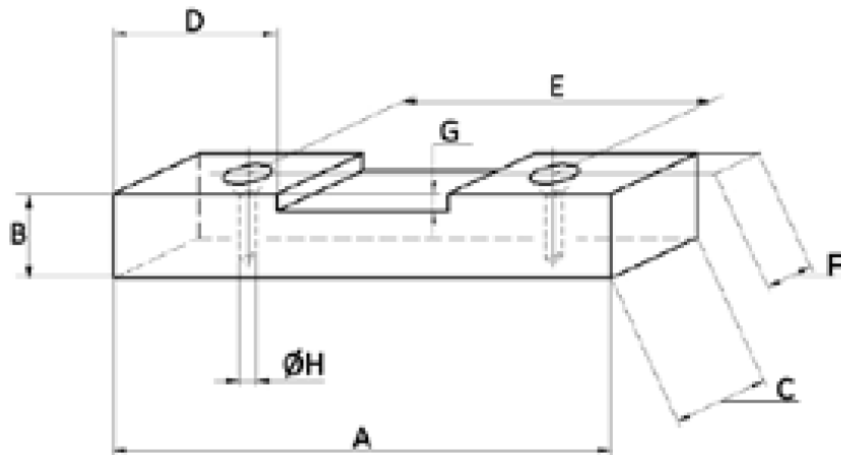
# TYPE 11



| A  | B  | C  | D  | E  | ØF  | G | H  | L  | M | ØN | SAPAT Code |
|----|----|----|----|----|-----|---|----|----|---|----|------------|
| 40 | 13 | 15 | 20 | 10 | 9.5 | 4 | 30 | 10 | 5 | 5  | 1522       |

<< Back to all TYPES

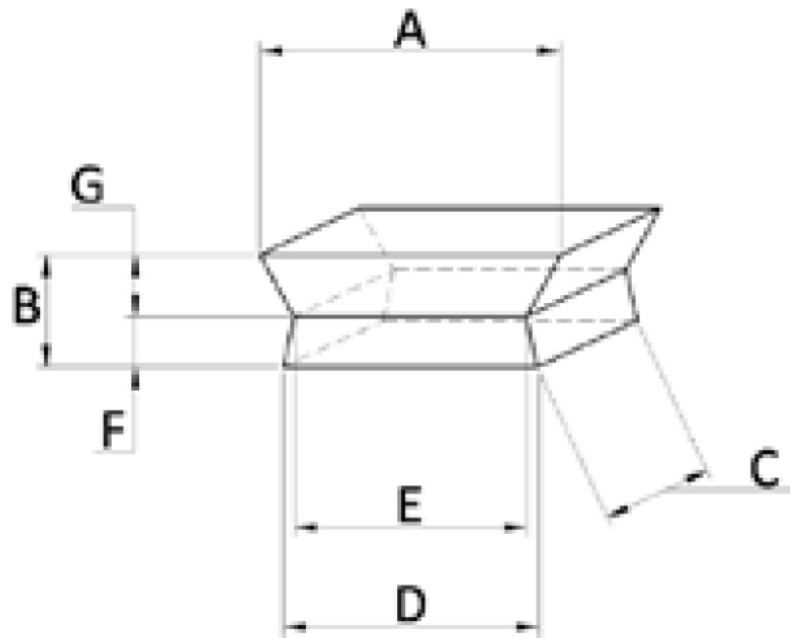
# TYPE 12



| A   | B  | C  | D  | E  | F  | G | Ø H | SAPAT Code |
|-----|----|----|----|----|----|---|-----|------------|
| 119 | 20 | 30 | 40 | 70 | 15 | 4 | 5.5 | 2051       |

<< Back to all TYPES

# TYPE 13

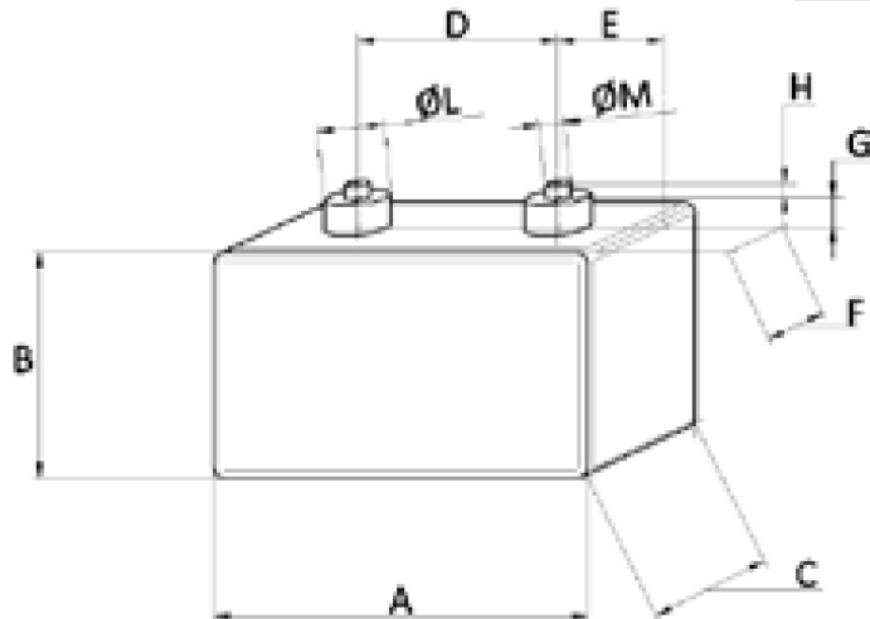


| A    | B    | C  | D  | E  | F | G   | SAPAT Code |
|------|------|----|----|----|---|-----|------------|
| 41.5 | 15.5 | 27 | 35 | 32 | 7 | 8.5 | 2407       |

<< Back to all TYPES

# TYPE 14

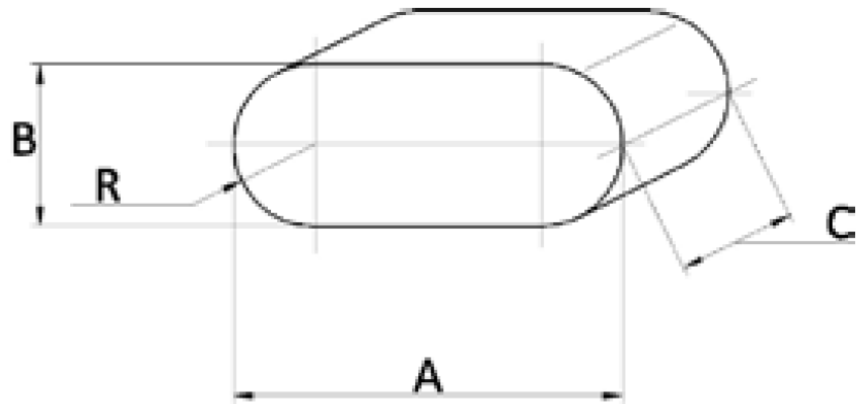
| A  | B  | C  | D  | E  | F    | G | H   | Ø L | Ø M | SAPAT Code |
|----|----|----|----|----|------|---|-----|-----|-----|------------|
| 39 | 44 | 73 | 26 | 10 | 19.5 | 6 | 2.5 | 13  | 5   | 2551       |



<< Back to all TYPES

# TYPE 15

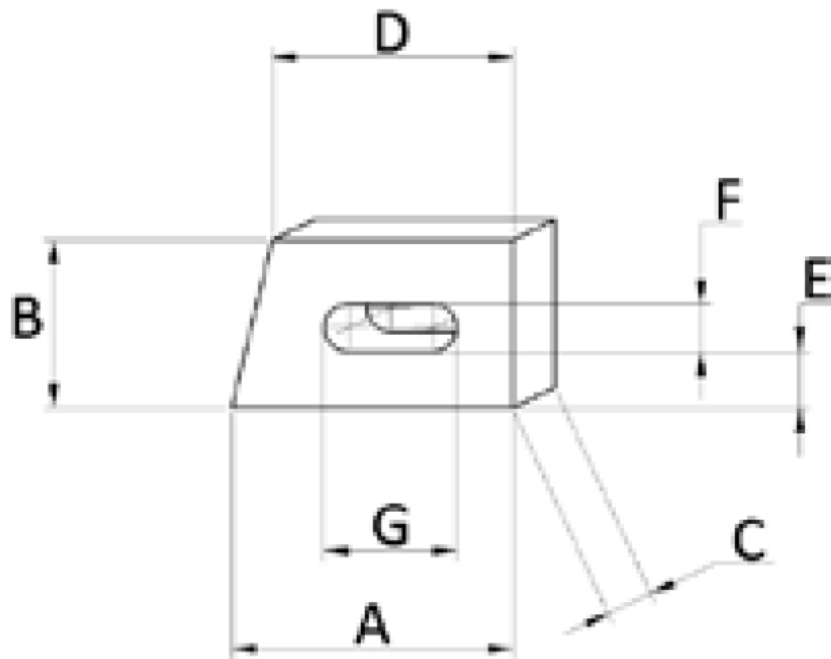
| A  | B  | C  | R    | SAPAT Code |
|----|----|----|------|------------|
| 60 | 25 | 45 | 12.5 | 3067       |





<< Back to all TYPES

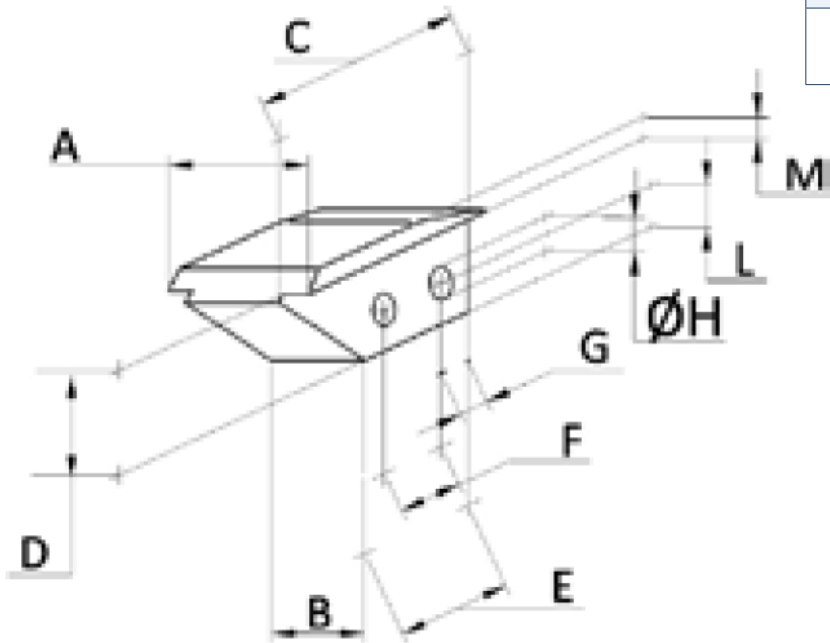
# TYPE 16



| A  | B  | C    | D  | E   | F | G    | SAPAT Code |
|----|----|------|----|-----|---|------|------------|
| 35 | 21 | 13.8 | 30 | 7.5 | 6 | 16.5 | 3434       |

<< Back to all TYPES

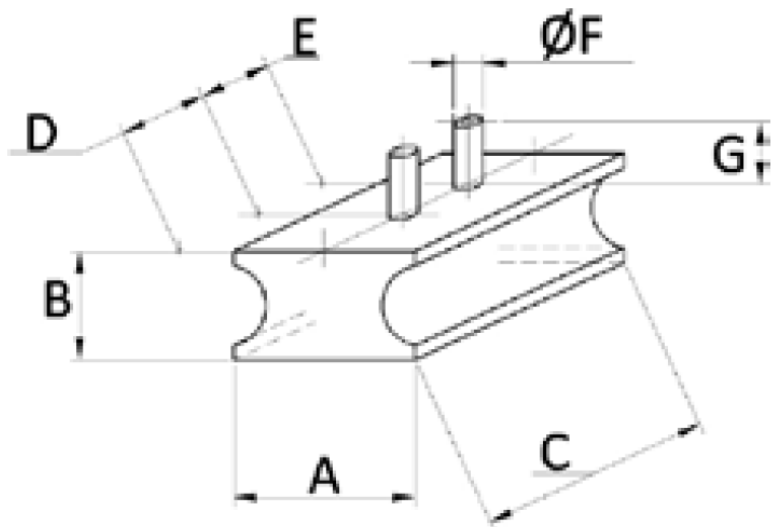
# TYPE 17



| A  | B  | C  | D    | E  | F    | G   | Ø H | L   | M   | SAPAT Code |
|----|----|----|------|----|------|-----|-----|-----|-----|------------|
| 19 | 12 | 35 | 12.5 | 24 | 12.5 | 7.5 | 4.5 | 7.5 | 4.5 | 3814       |

<< Back to all TYPES

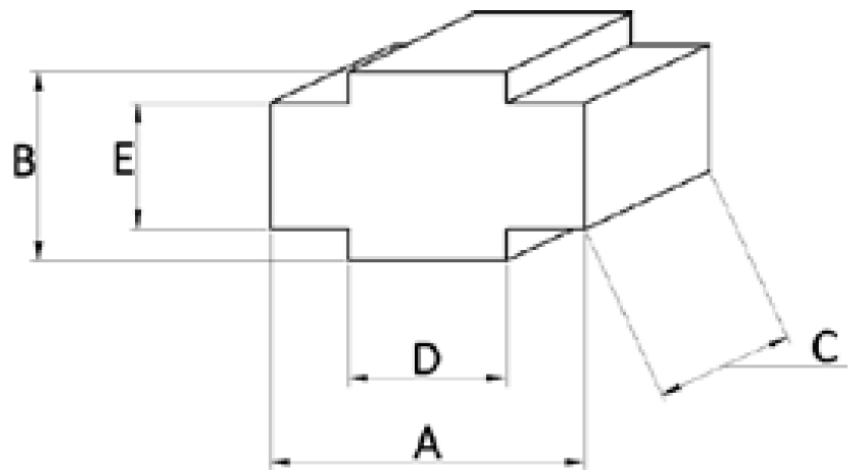
# TYPE 18



| A  | B  | C    | D  | E    | Ø F | G    | SAPAT Code |
|----|----|------|----|------|-----|------|------------|
| 25 | 15 | 73.5 | 21 | 19.5 | 6   | 12.5 | 4231       |

<< Back to all TYPES

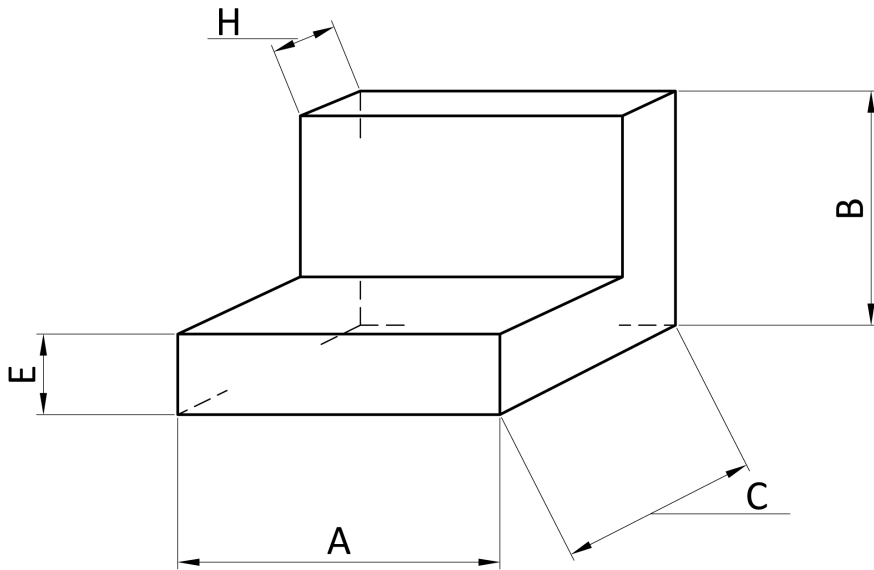
# TYPE 19



| A  | B  | C  | D  | E  | SAPAT Code |
|----|----|----|----|----|------------|
| 50 | 25 | 30 | 18 | 20 | 3068       |

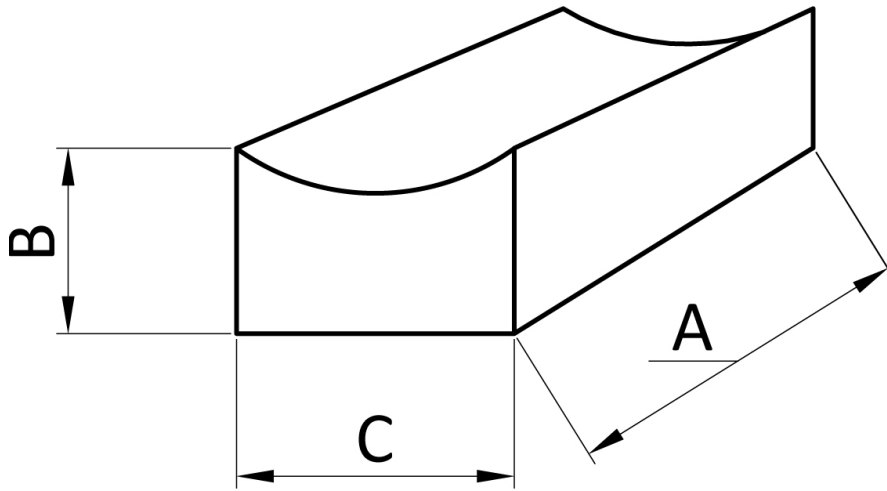
<< Back to all TYPES

# TYPE 20



<< Back to all TYPES

# TYPE 21

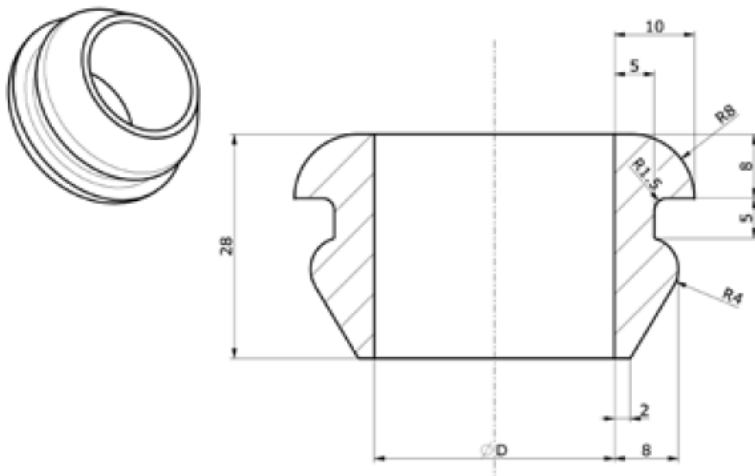




Bushes



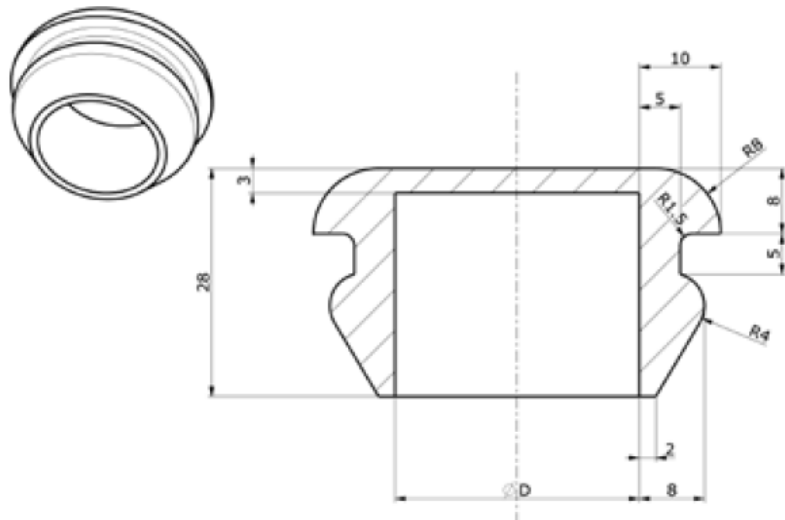
# TYPE 1



| $\varnothing D$ | SAPAT Code |
|-----------------|------------|
| 12              | 4575       |
| 20              | 4813       |
| 25              | 4332       |
| 40              | 4812       |



# TYPE 2



| $\varnothing D$ | SAPAT Code |
|-----------------|------------|
|                 |            |
|                 |            |
|                 |            |



Via Palazzetto 13, 10079 Mappano (TO)

+39 011 779 0617

info@sapat.it

**[www.sapat.it](http://www.sapat.it)**